



US00D544310S

(12) **United States Design Patent**
Smigiel

(10) **Patent No.:** **US D544,310 S**

(45) **Date of Patent:** **** Jun. 12, 2007**

(54) **ICE BUCKET**

D386,861 S * 11/1997 Sutton D32/53

(76) Inventor: **Arthur C. Smigiel**, 5475 Columbine Ave., Comstock Park, MI (US) 25006

* cited by examiner

Primary Examiner—Terry A. Wallace

(74) *Attorney, Agent, or Firm*—Kane & Co., PLC

(**) Term: **14 Years**

(21) Appl. No.: **29/247,796**

(57) **CLAIM**

(22) Filed: **Jul. 12, 2006**

I claim the ornamental design for an ice bucket, as shown and described.

(51) **LOC (8) Cl.** **07-01**

(52) **U.S. Cl.** **D7/603; D32/53**

(58) **Field of Classification Search** D7/603–608; D32/53, 54; D34/1; 220/737–739, 915.1, 220/915.2, 908–910, 2, 669, 656, 657, 675; 62/457.1–457.8, 371, 372; 215/13.1

See application file for complete search history.

DESCRIPTION

FIG. 1 is a perspective view of the ice bucket according to the present design;

FIG. 2 is a front plan view of the present design;

FIG. 3 is a rear view of the present design;

FIG. 4 is a right side view, a corresponding left side view being a mirror image thereof;

FIG. 5 is a top view of the present design; and,

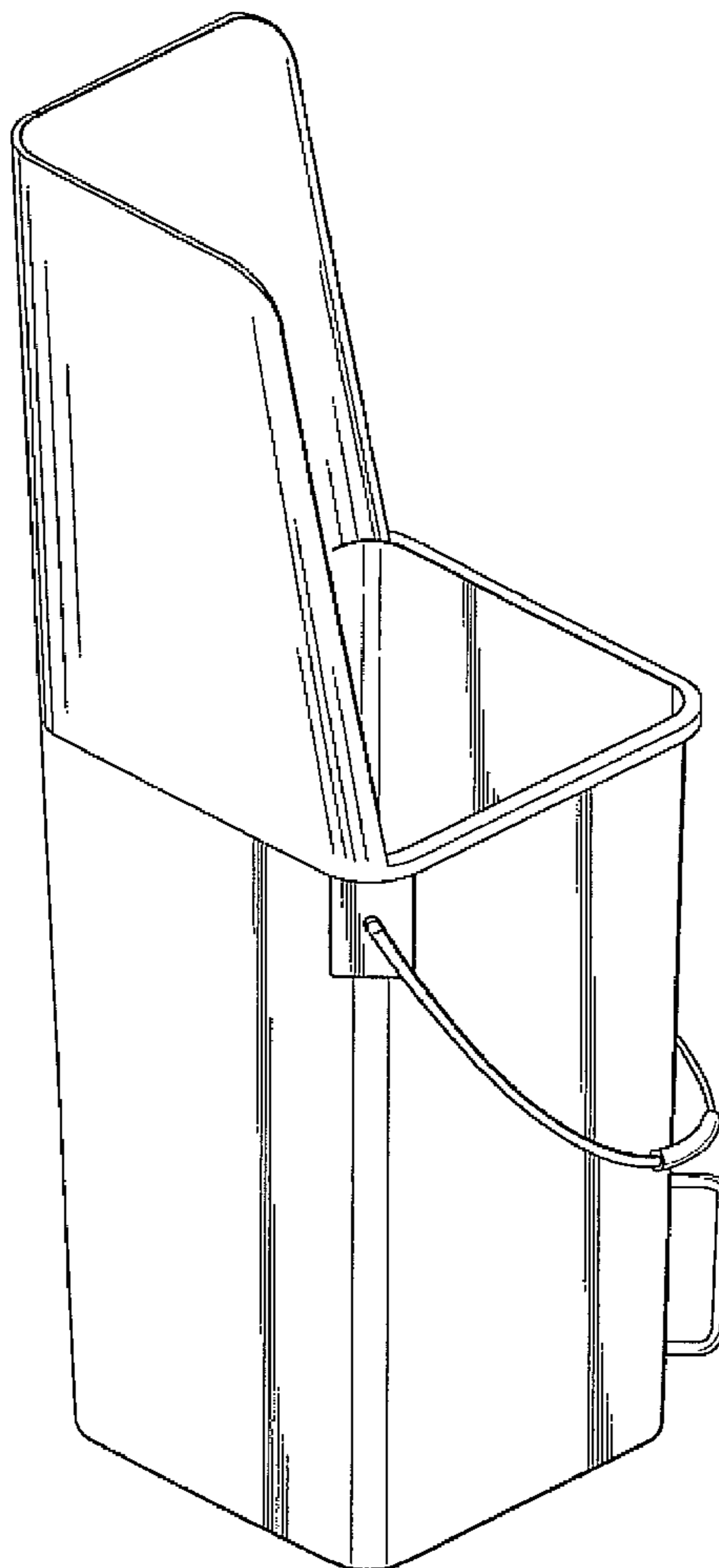
FIG. 6 is a bottom view.

(56) **References Cited**

U.S. PATENT DOCUMENTS

D132,178 S * 4/1942 Holslag D34/1
D289,722 S * 5/1987 Neiser D7/624.1
D305,714 S * 1/1990 Carlson D7/605

1 Claim, 3 Drawing Sheets



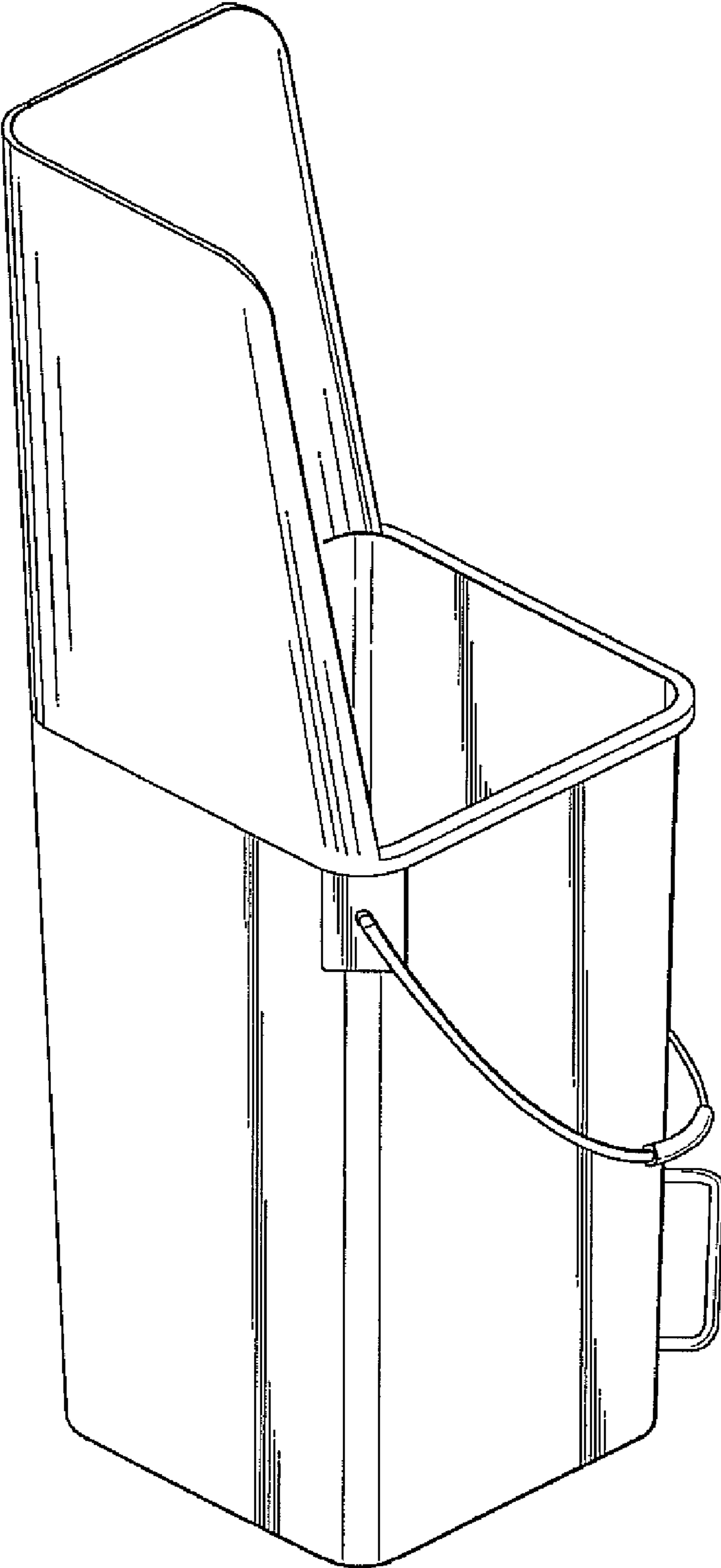


FIG - 1

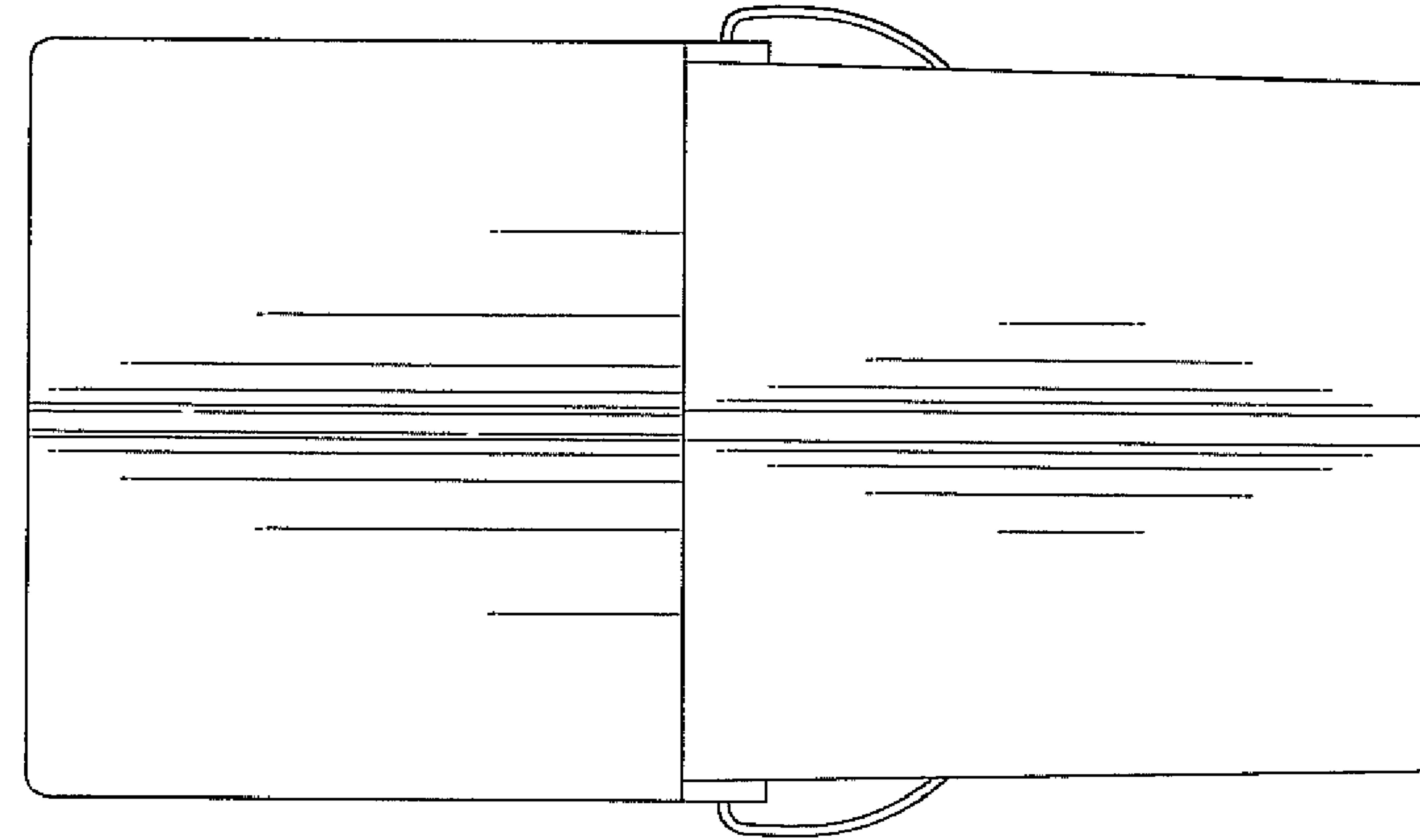


FIG - 3

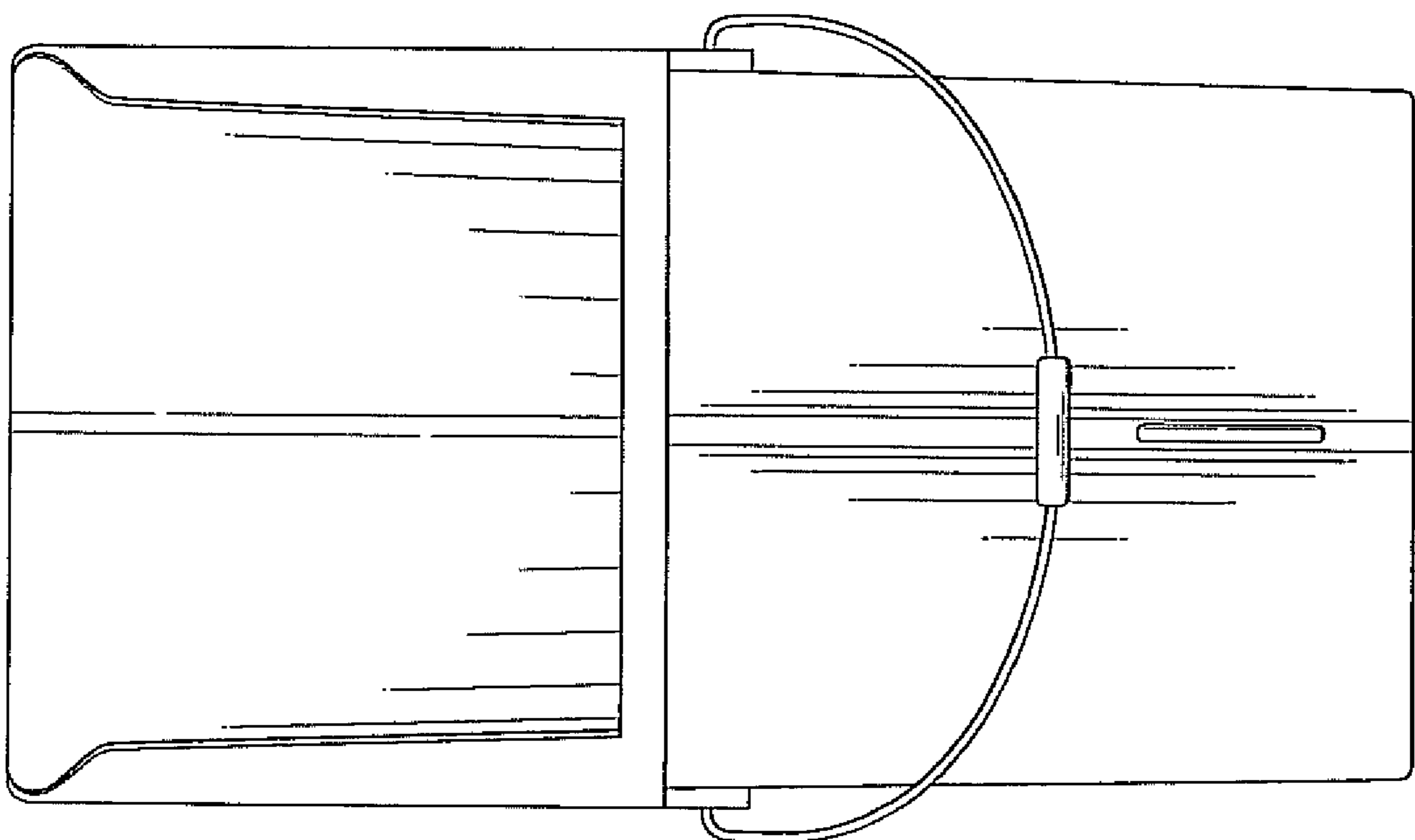


FIG - 2

FIG - 5

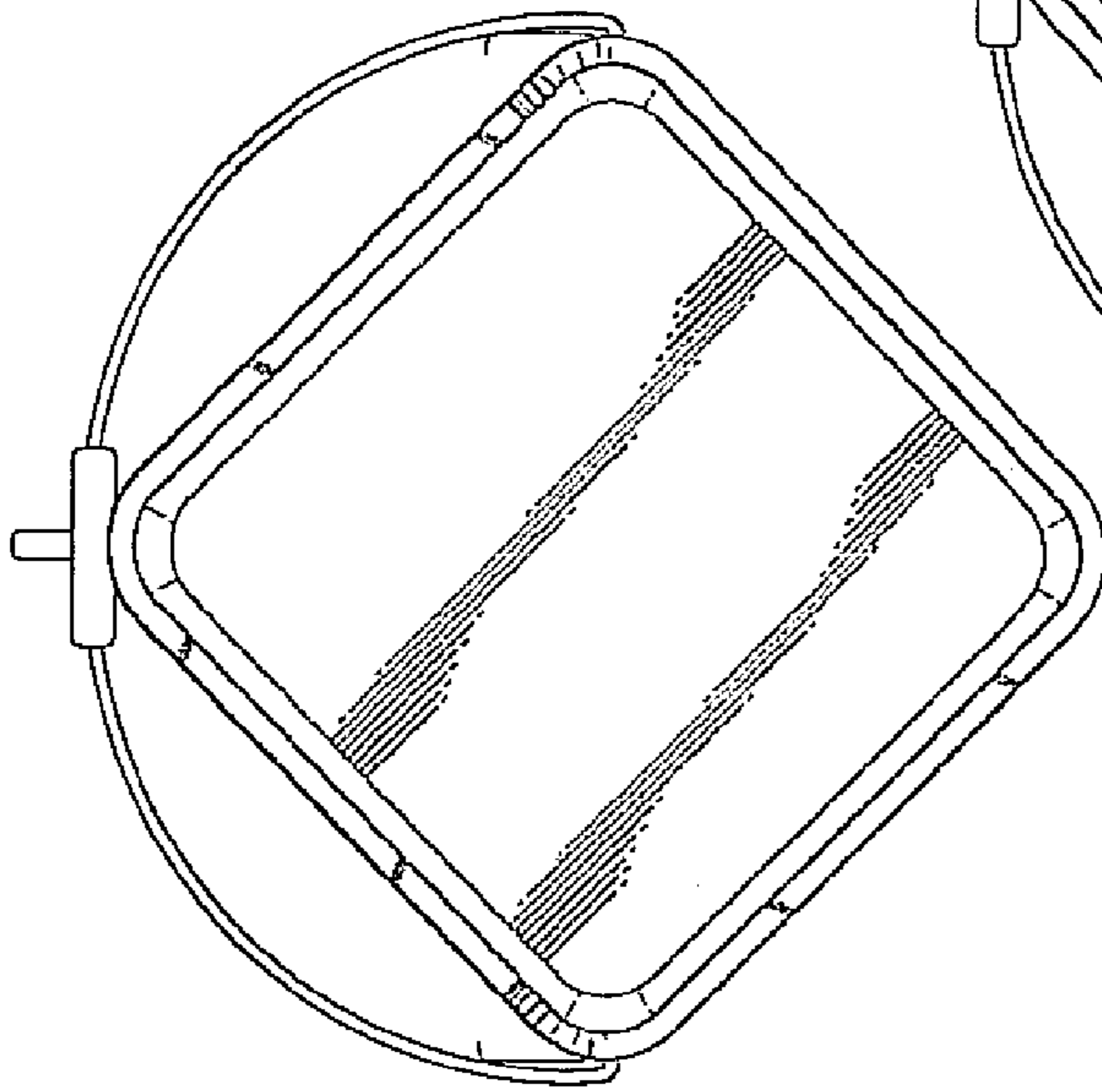


FIG - 6

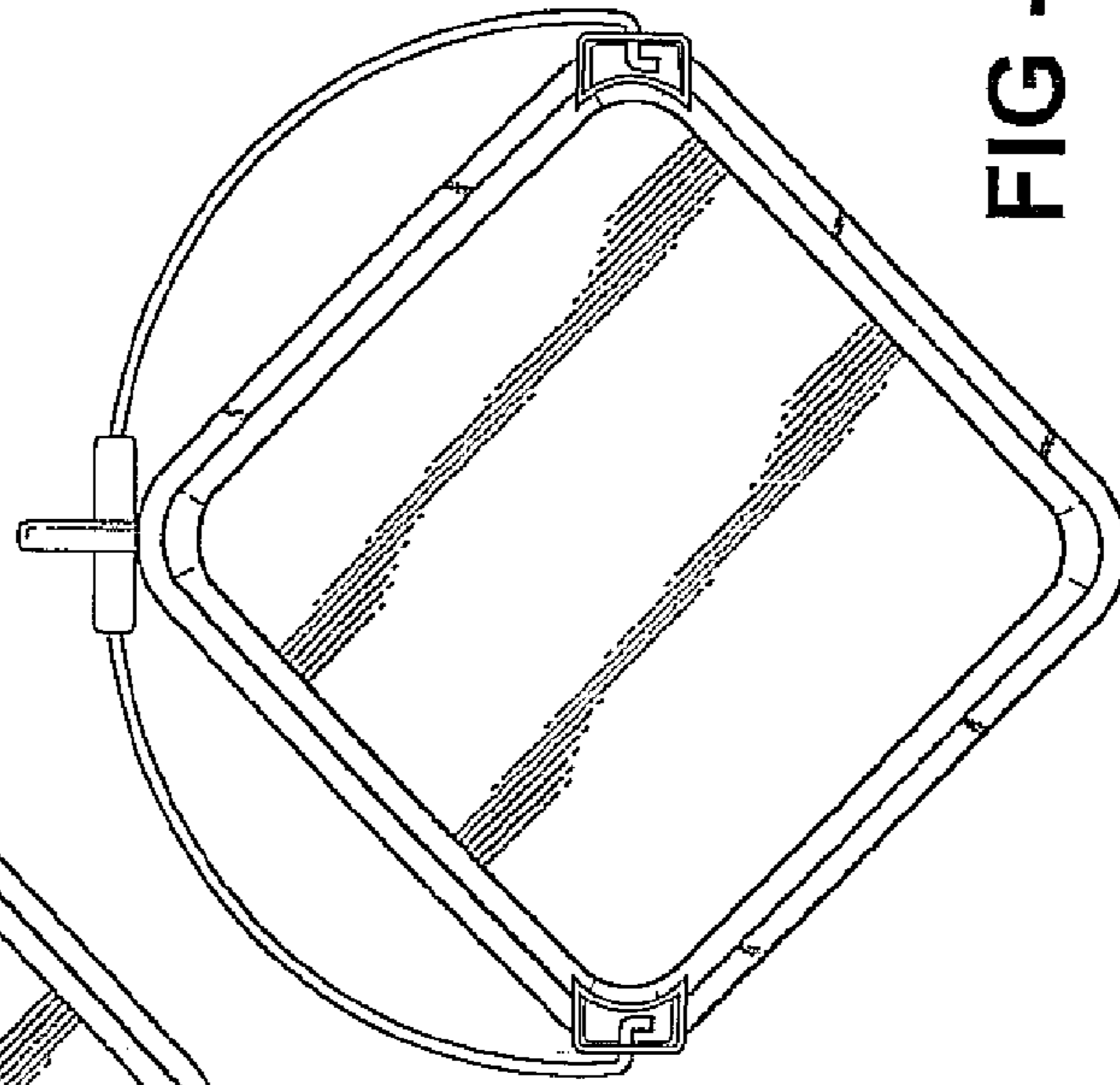


FIG - 4

