

US00D544305S

(12) **United States Design Patent**
Allingham

(10) **Patent No.:** **US D544,305 S**

(45) **Date of Patent:** **** Jun. 12, 2007**

(54) **BEVERAGE MUG**

(76) **Inventor:** **Richard John Allingham, #57-201**
Cayer Street, Coquitlam, BC (CA) V3K
5A9

(**) **Term:** **14 Years**

(21) **Appl. No.:** **29/242,867**

(22) **Filed:** **Nov. 16, 2005**

(51) **LOC (8) Cl.** **07-01**

(52) **U.S. Cl.** **D7/515; D7/536**

(58) **Field of Classification Search** D7/536,
D7/533, 510, 511, 300.2, 535, 507, 515, 514,
D7/517, 520, 620, 619.2, 625, 710; D9/669,
D9/717, 528, 526; 210/120; 220/703, 713,
220/710.5, 630; 215/396, 398, 397; 222/481.5
See application file for complete search history.

(56) **References Cited**

U.S. PATENT DOCUMENTS

- D29,814 S * 12/1898 Williams D7/536
- D168,218 S * 11/1952 Falk D7/535
- D313,479 S * 1/1991 Goldberg D26/16

- D340,837 S * 11/1993 Fox D9/669
- D345,675 S * 4/1994 Charland D7/536
- D470,362 S * 2/2003 Basden D7/536
- D488,674 S * 4/2004 O'Neill D7/515
- D529,396 S * 10/2006 Whipple D9/669

* cited by examiner

Primary Examiner—M. N. Pandozzi

(57) **CLAIM**

The ornamental design for the beverage mug, as shown and described.

DESCRIPTION

FIG. 1 is a perspective view of the beverage mug showing my new design.

FIG. 2 is a front elevational view thereof.

FIG. 3 is a rear elevational view thereof.

FIG. 4 is a left side elevational view thereof, the right side elevational view being a mirror image.

FIG. 5 is a top plan view thereof; and,

FIG. 6 is a bottom plan view thereof.

1 Claim, 3 Drawing Sheets

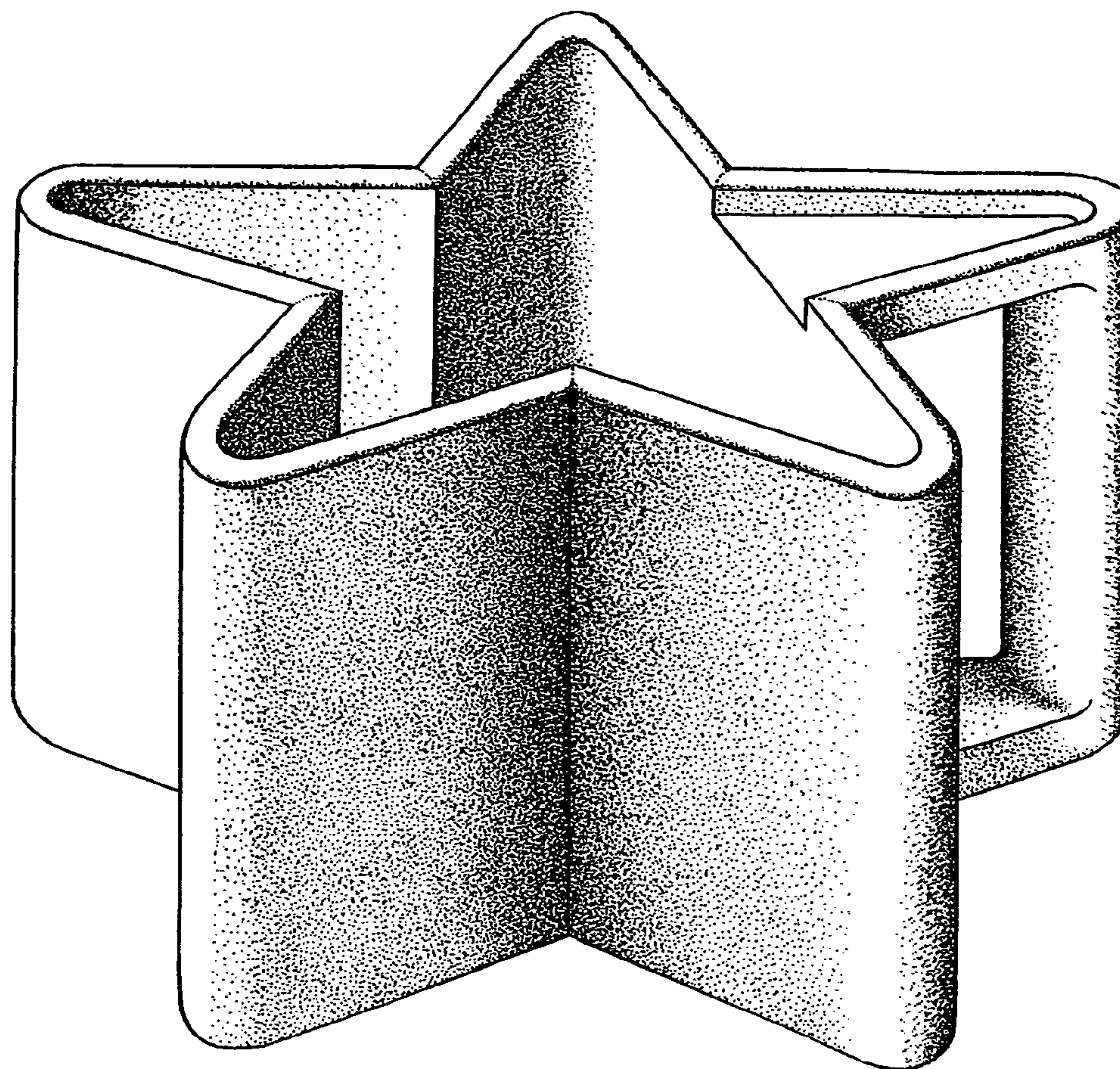


Fig. 1

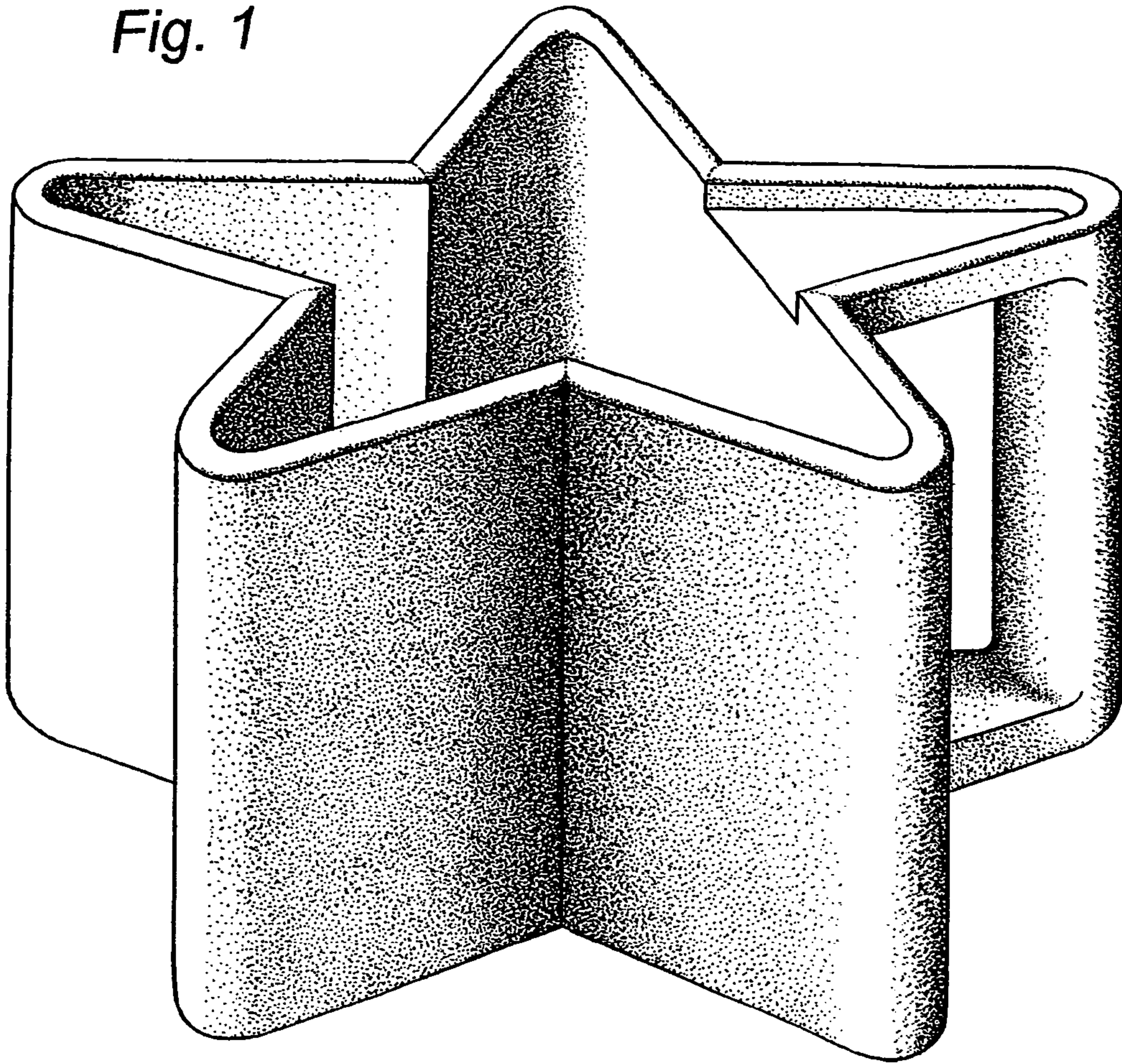


Fig. 2

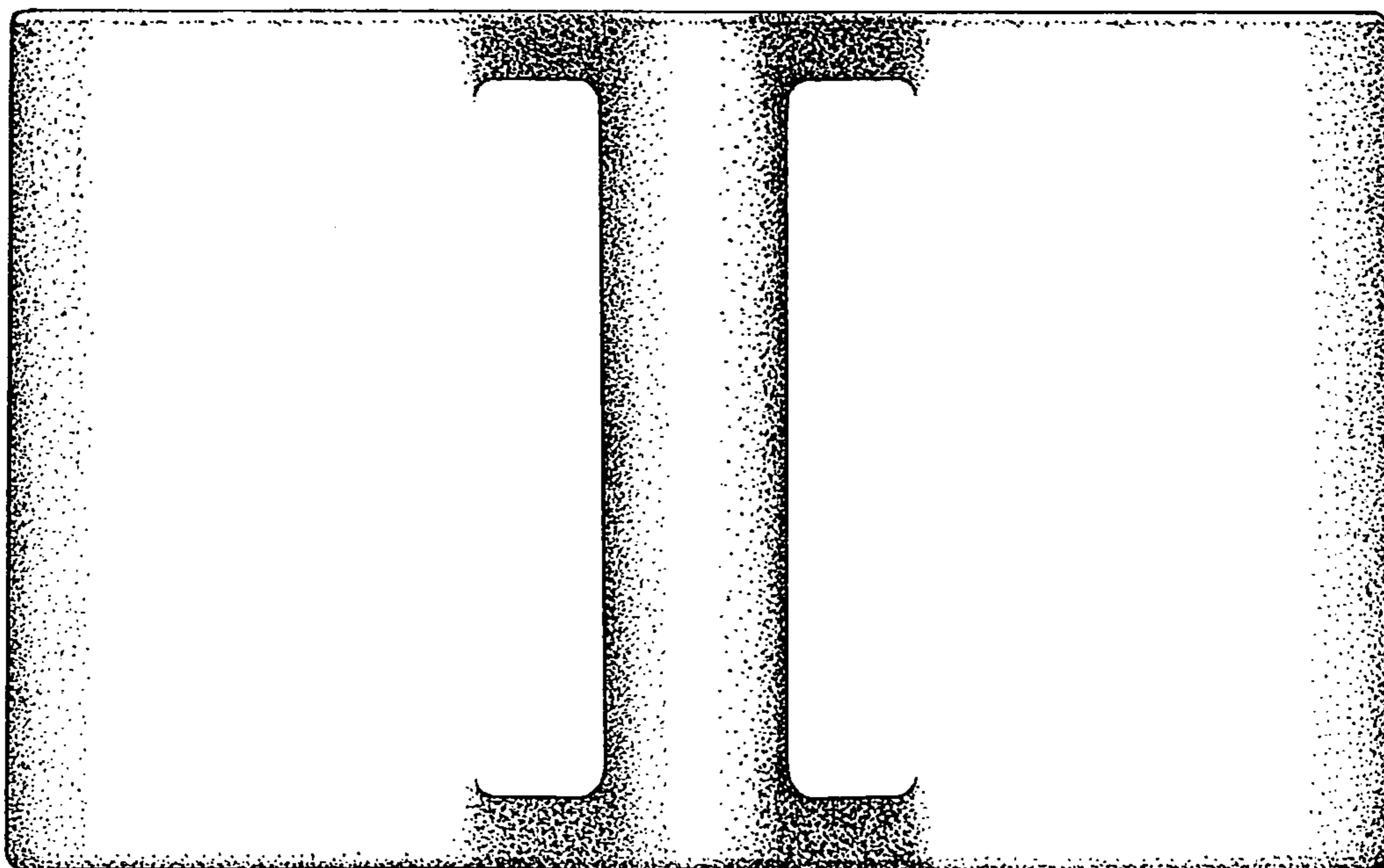


Fig. 3

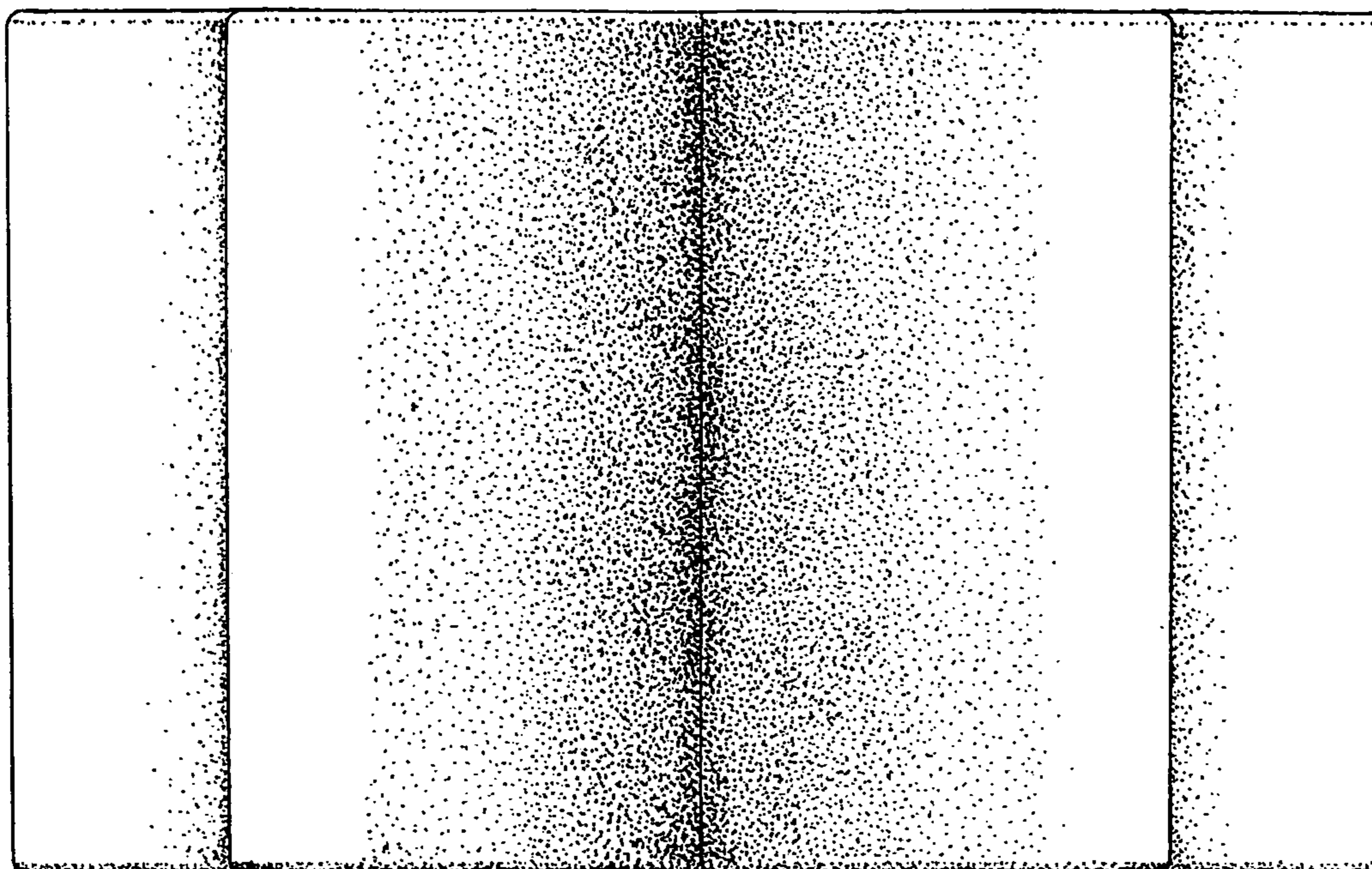


Fig. 4

