



US00D544303S

(12) **United States Design Patent**
Strepkoff

(10) **Patent No.:** **US D544,303 S**
(45) **Date of Patent:** **** Jun. 12, 2007**

(54) **COLLAPSIBLE CUP ASSEMBLY FOR
FIXATION ON BOTTLES**

(75) Inventor: **Karl Strepkoff**, Tokyo (JP)

(73) Assignee: **Soi Coquine Yugen Kaisha** (JP)

(**) Term: **14 Years**

(21) Appl. No.: **29/231,648**

(22) Filed: **Jun. 8, 2005**

(30) **Foreign Application Priority Data**

Dec. 9, 2004 (JP) 2004-037698

(51) **LOC (8) Cl.** **07-01**

(52) **U.S. Cl.** **D7/512**

(58) **Field of Classification Search** D7/393,
D7/394, 502, 509, 510–512, 523, 529, 531,
D7/532, 533, 536, 608; D9/502, 503, 504,
D9/518; 215/387, DIG. 7; 220/605, 606,
220/592.17, 703, 710, 710.5, 719

See application file for complete search history.

(56) **References Cited**

U.S. PATENT DOCUMENTS

1,048,935 A * 12/1912 Brady 220/8

(Continued)

Primary Examiner—Sandra Snapp

Assistant Examiner—Karen Acker

(74) *Attorney, Agent, or Firm*—Ohlandt, Greeley, Ruggiero
& Perle, L.L.P.

(57) **CLAIM**

I claim the ornamental design for the collapsible cup assembly for fixation on bottles, as shown and described.

DESCRIPTION

FIG. 1 is a top perspective view of a collapsible cup assembly for fixation on bottles comprised of a collapsible

cup and a lid, according to the present disclosure shown in the collapsed position fixed on a bottle;

FIG. 2 is a perspective view of the bottom of the collapsible cup assembly for fixation on bottles of FIG. 1 shown in a collapsed position;

FIG. 3 is a side view of the collapsible cup assembly for fixation on bottles of FIG. 2;

FIG. 4 is a sectional view of the collapsible cup assembly for fixation on bottles of FIG. 2 taken along line 4—4 in FIG.;

FIG. 5 is a plan view of the bottom of the collapsible cup assembly for fixation on bottles of FIG. 2;

FIG. 6 is a plan view of the top of the collapsible cup assembly for fixation on bottles of FIG. 2;

FIG. 7 is a perspective view of the collapsible cup of the collapsible cup assembly for fixation on bottles of FIG. 2, wherein the collapsible cup is shown in the expanded position and the lid is removed for ease of illustration;

FIG. 8 is a side view of the collapsible cup assembly for fixation on bottles of FIG. 7;

FIG. 9 is a sectional view of the collapsible cup assembly for fixation on bottles of FIG. 7;

FIG. 10 is a top view of the collapsible cup assembly for fixation on bottles of FIG. 8;

FIG. 11 is a bottom view of the collapsible cup assembly for fixation on bottles of FIG. 8;

FIG. 12 is a side view of the collapsible cup of the collapsible cup assembly for fixation on bottles of FIG. 2, wherein the collapsible cup assembly for fixation on bottles is shown in the collapsed position and the lid is removed for ease of illustration;

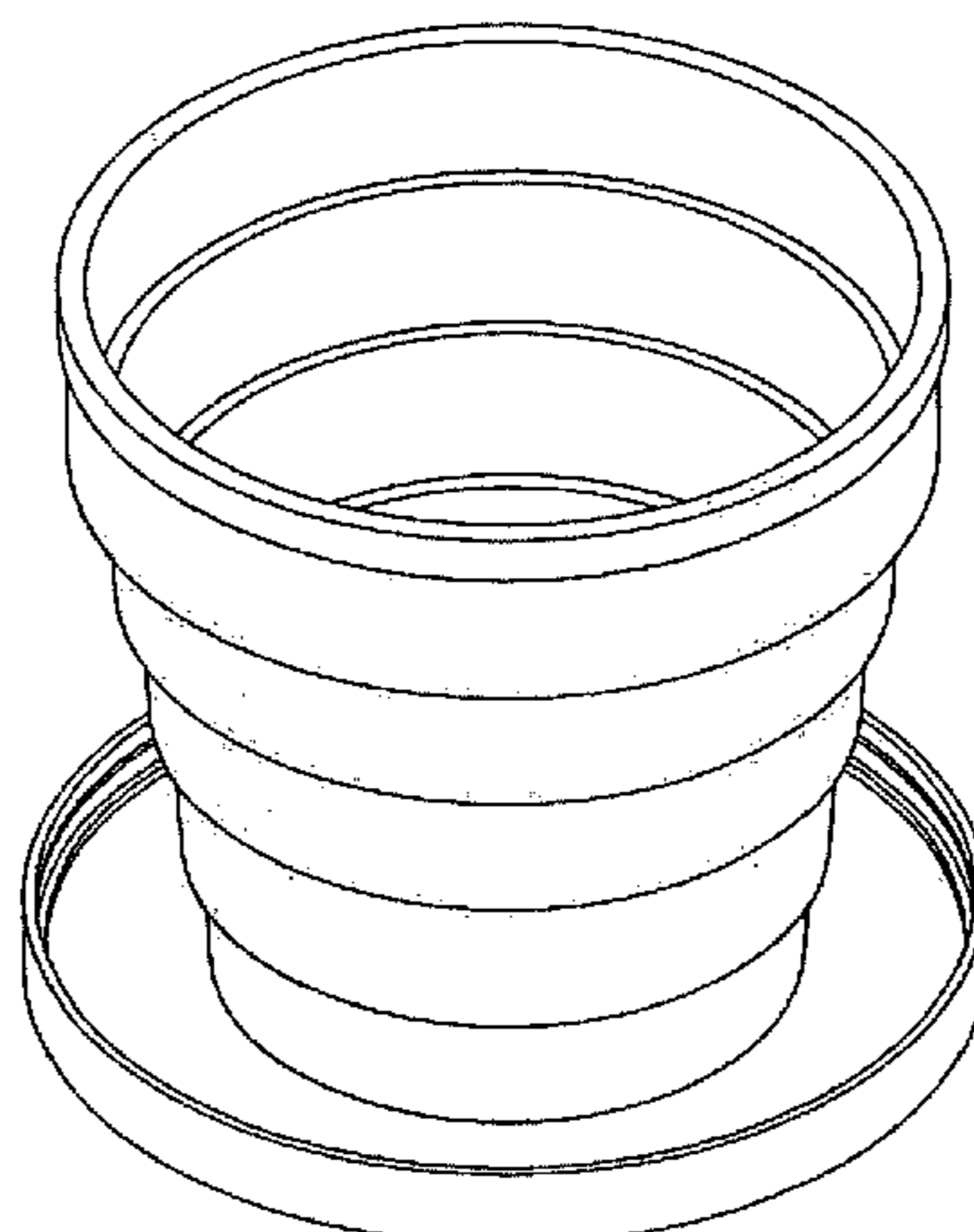
FIG. 13 is a side view of the lid of the collapsible cup assembly for fixation on bottles of FIG. 2; the collapsible cup being is removed for ease of illustration;

FIG. 14 is a bottom view of the lid of FIG. 13; and,

FIG. 15 is a top view of the lid of FIG. 13.

The broken lines are for illustrative purposes only and form no part of the claimed design.

1 Claim, 7 Drawing Sheets



US D544,303 S

Page 2

U.S. PATENT DOCUMENTS

1,093,873	A *	4/1914	Mitchell	220/8	3,471,058	A *	10/1969	Latham et al.	222/92
1,137,462	A *	4/1915	Clark	210/469	D219,474	S *	12/1970	Gahm	D7/512
D53,069	S *	3/1919	Fox	D7/532	D220,204	S *	3/1971	Gahm	D7/512
2,880,902	A *	4/1959	Owsen	220/8	3,939,888	A *	2/1976	Scarnato	220/666
2,905,350	A *	9/1959	Edwards	215/373	4,775,564	A *	10/1988	Shriver et al.	428/36.92
D198,139	S *	5/1964	Edwards	D7/532	D309,116	S *	7/1990	Marshall	D10/62
D199,749	S *	12/1964	Schnur et al.	D7/533	D332,203	S *	1/1993	Fernandez-Guthrie	D7/512
3,220,544	A *	11/1965	Lovell	206/218	D347,359	S	5/1994	Robbins, III	D7/512
3,285,459	A *	11/1966	Gahm	220/8	D409,945	S *	5/1999	Hensen	D11/152
3,291,361	A *	12/1966	Commeyras	229/400	D483,225	S *	12/2003	Gain	D7/512
3,372,830	A *	3/1968	Edwards	206/519	6,666,329	B1 *	12/2003	Charbonneau	206/218
3,434,589	A *	3/1969	Valtri et al.	206/218	D490,655	S *	6/2004	Zettle et al.	D7/532
3,443,714	A *	5/1969	Edwards	220/671					

* cited by examiner

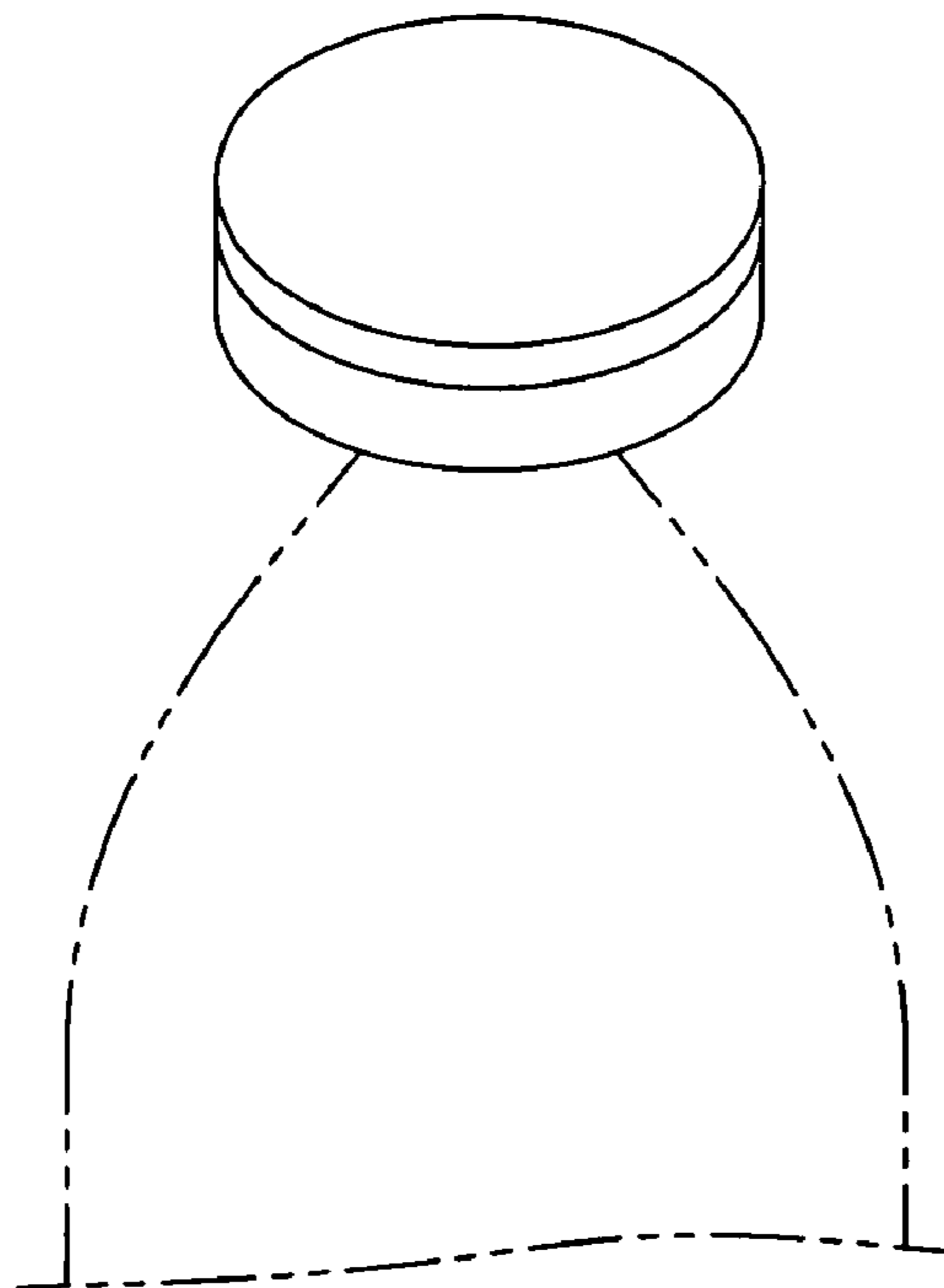


FIG. 1

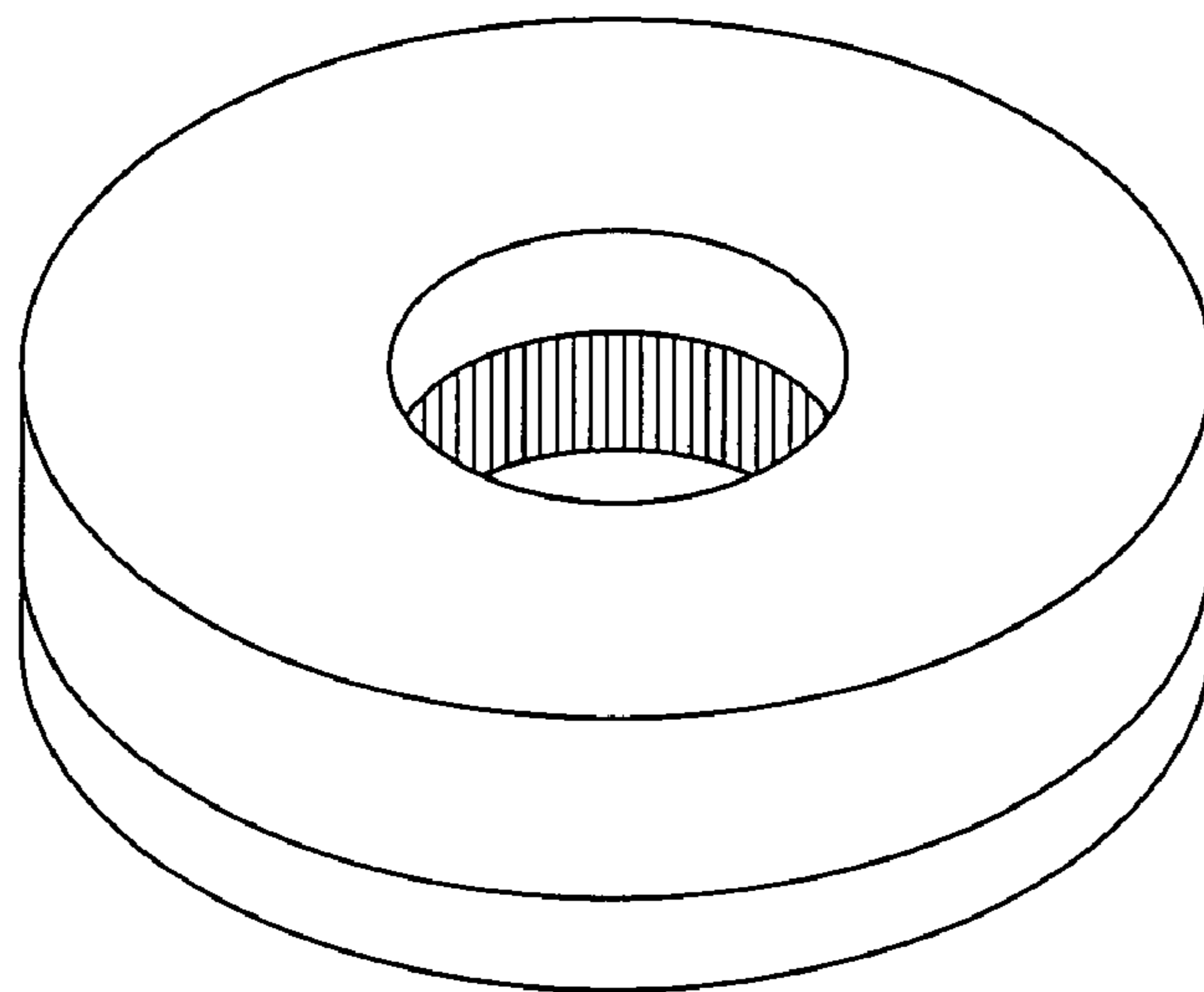


FIG. 2

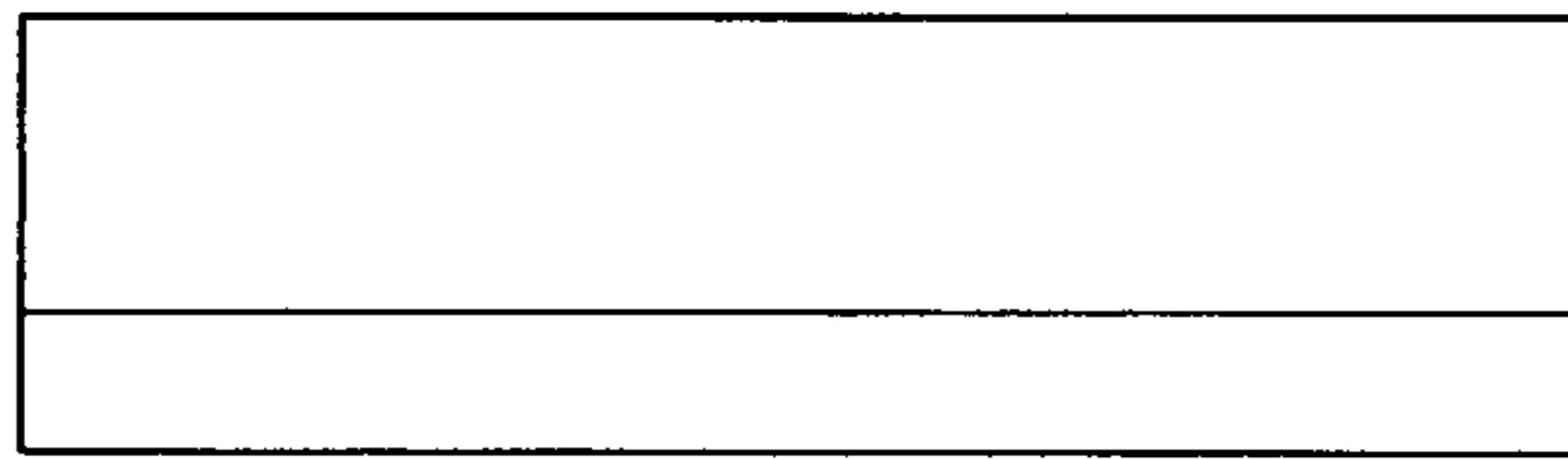


FIG. 3

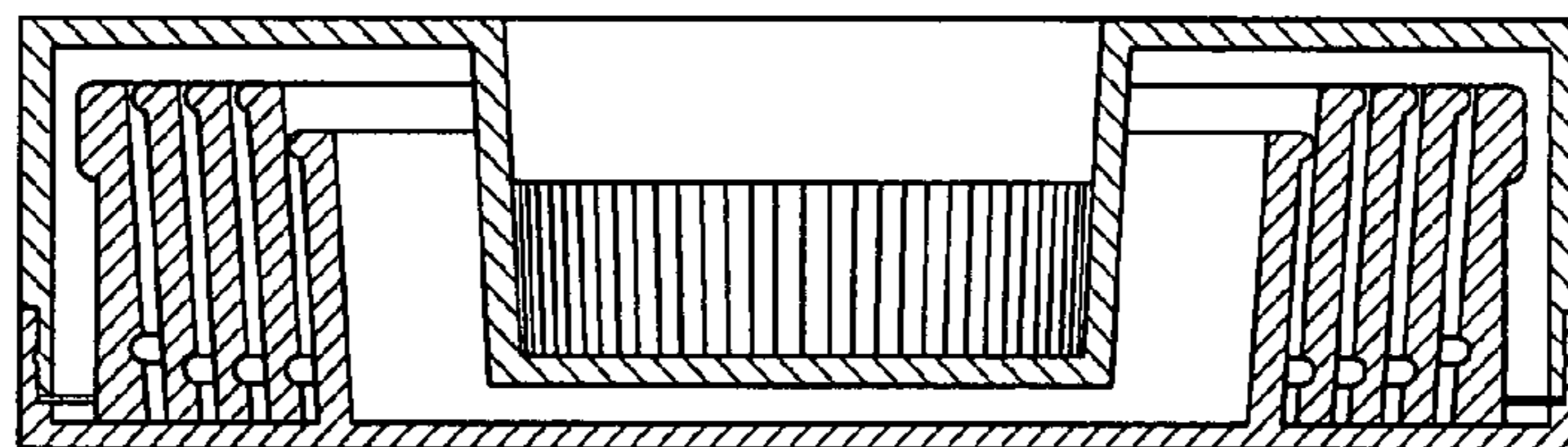


FIG. 4

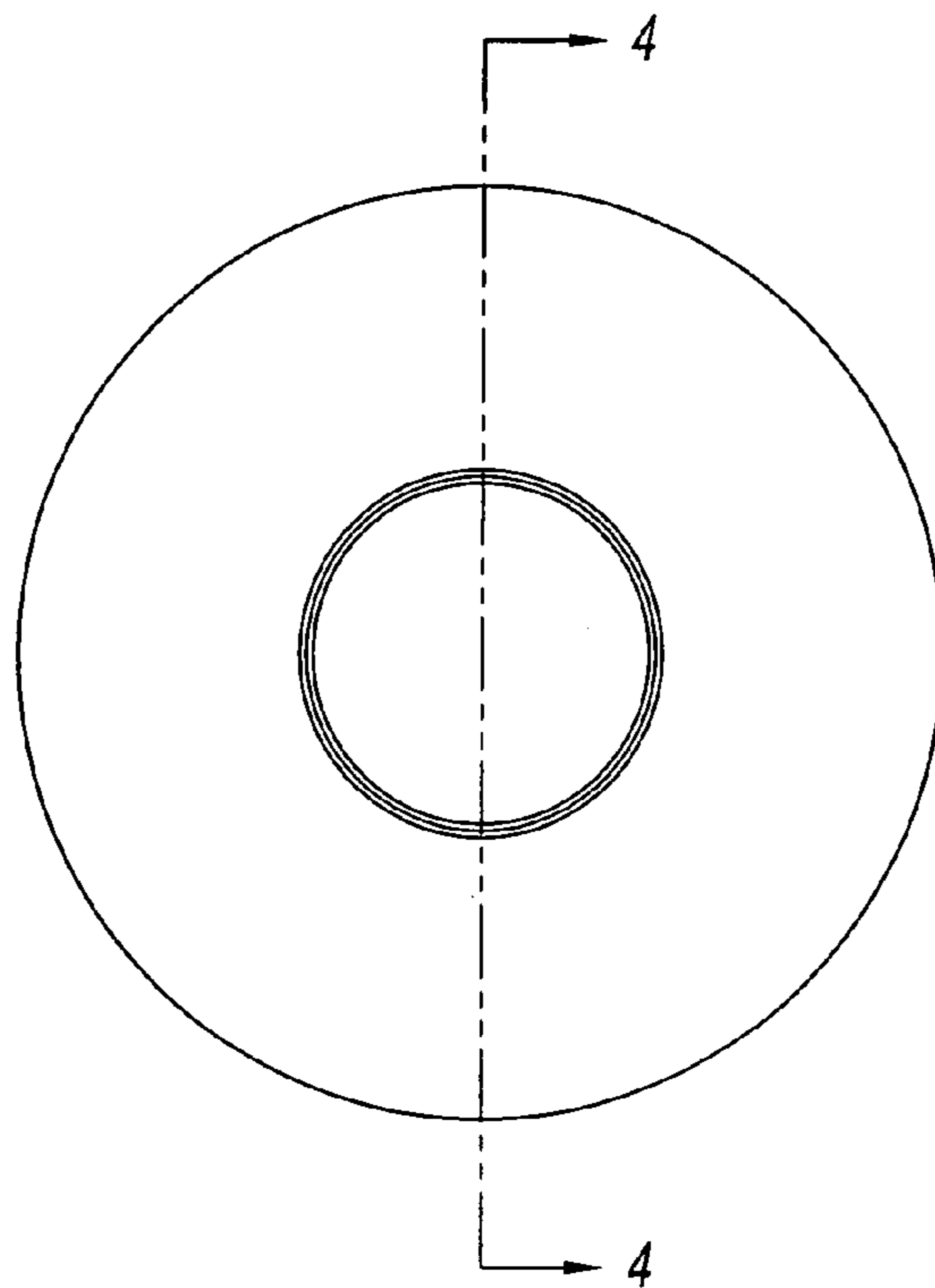


FIG. 5

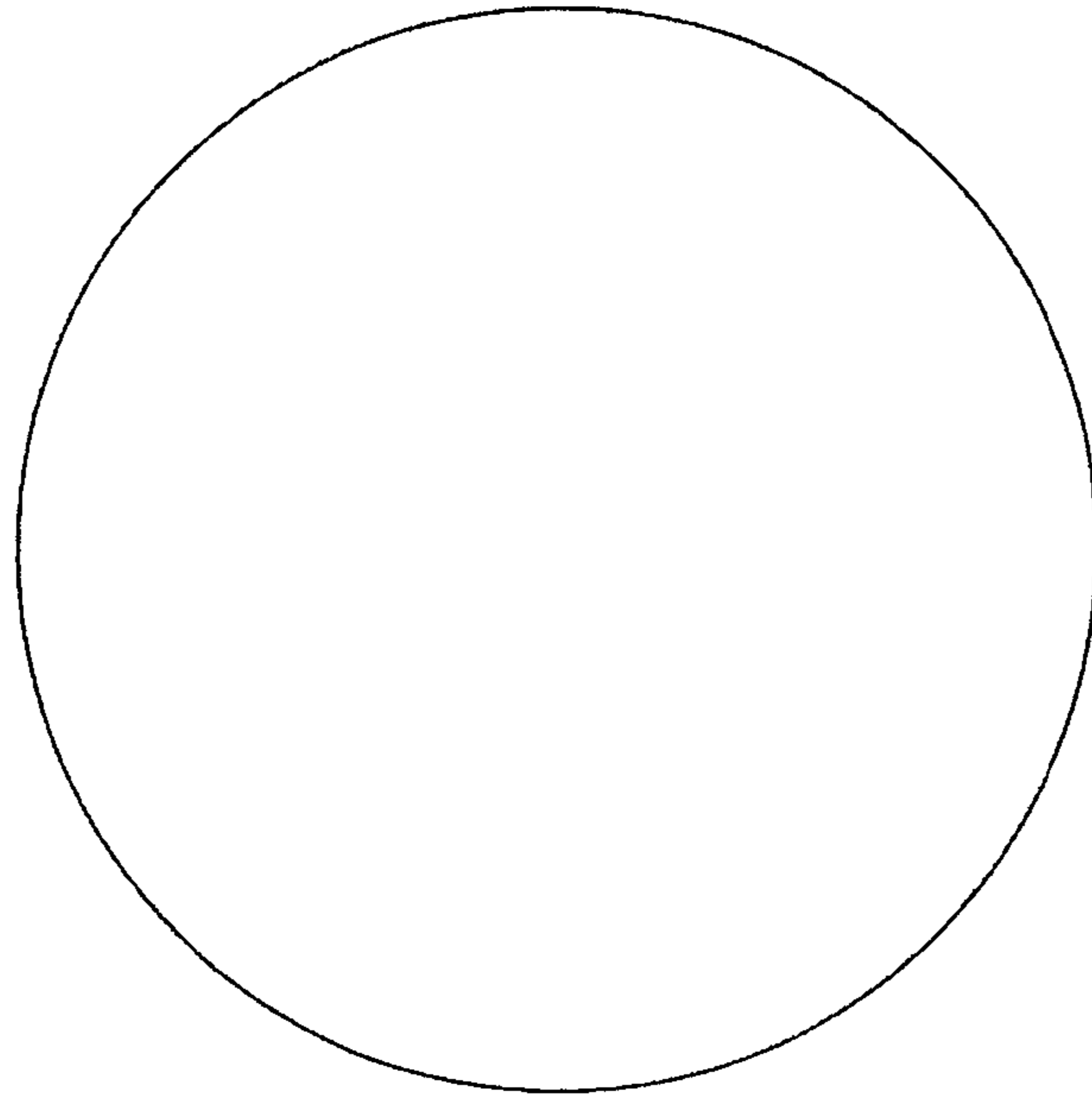


FIG. 6

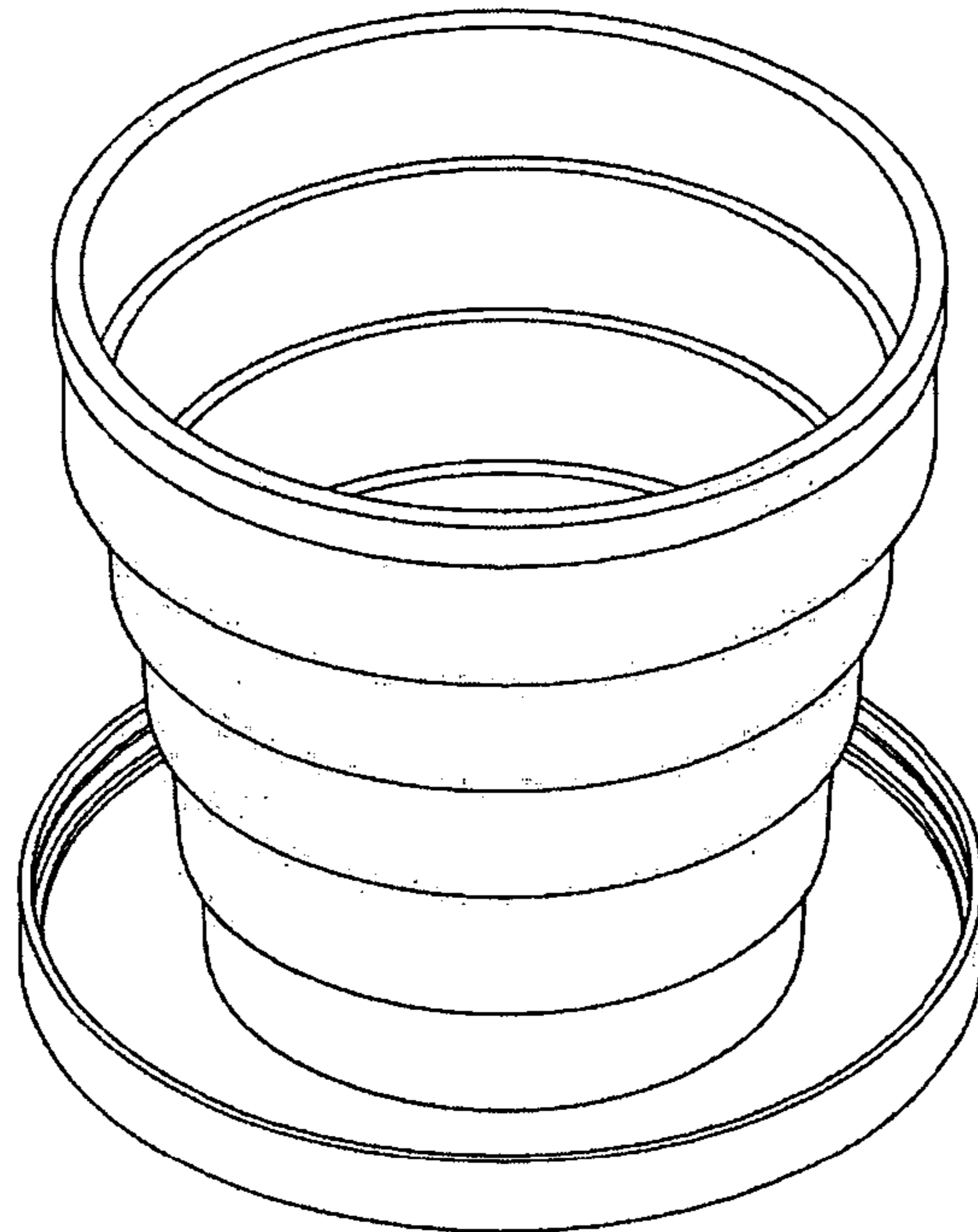


FIG. 7

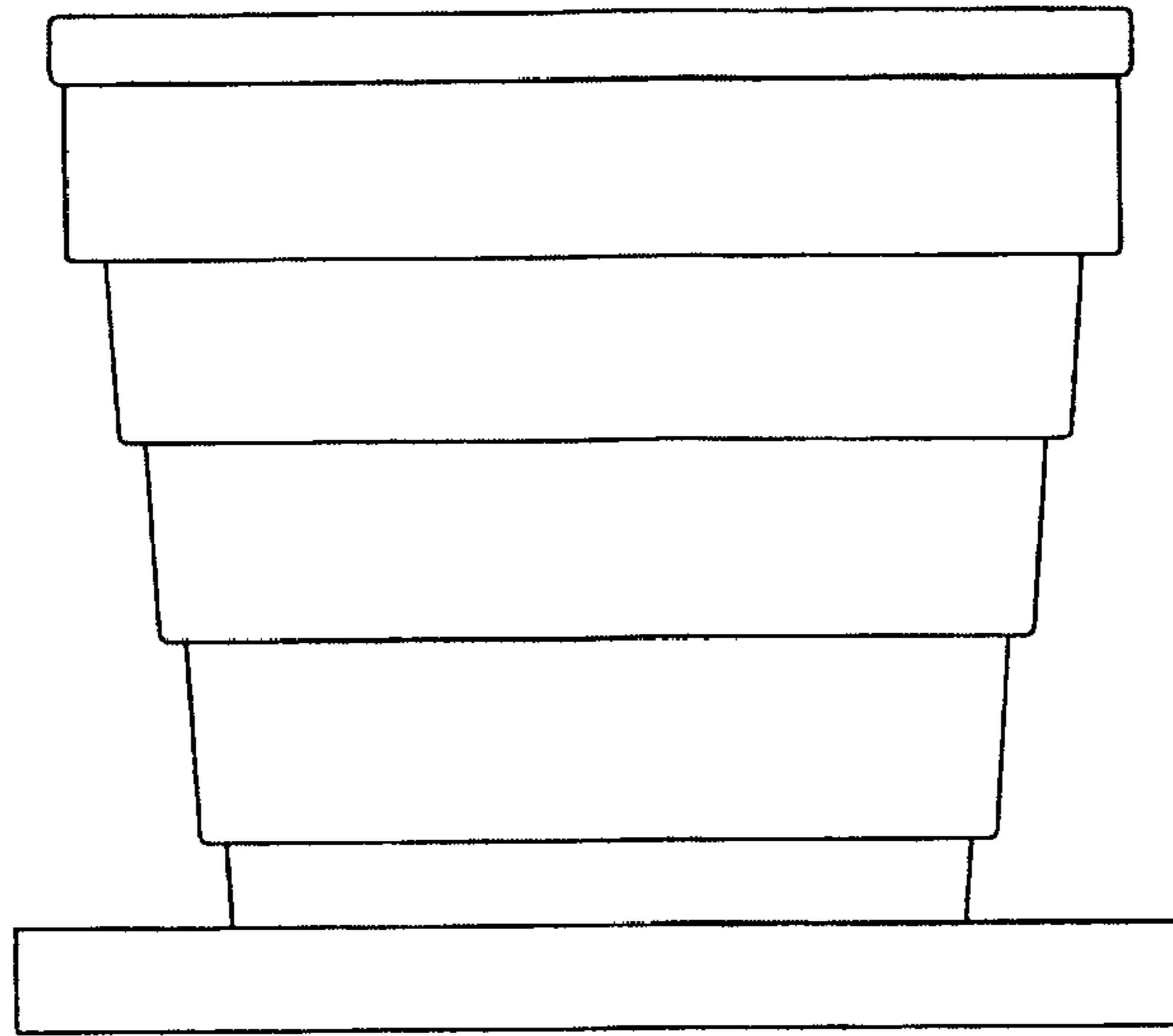


FIG. 8

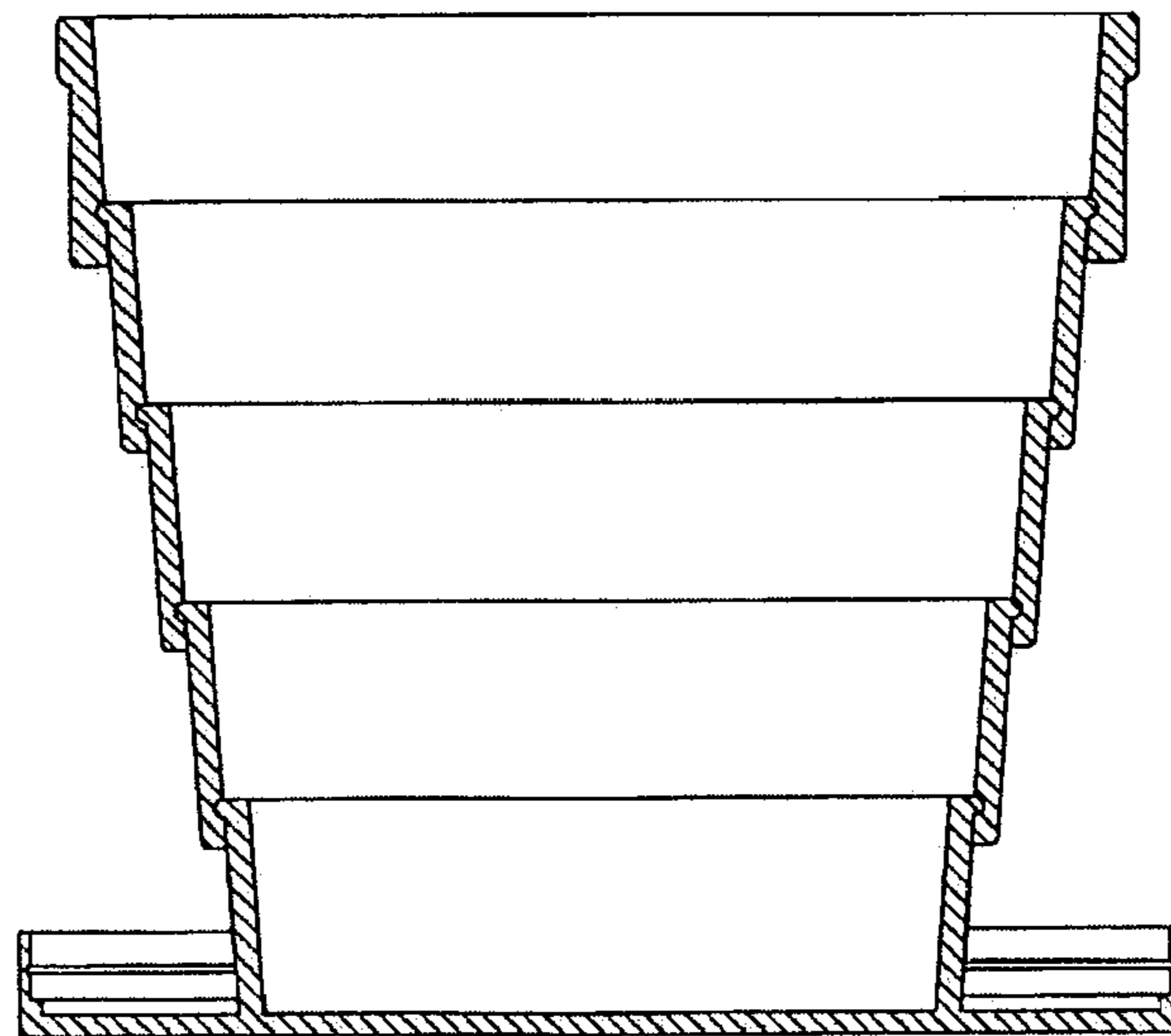


FIG. 9

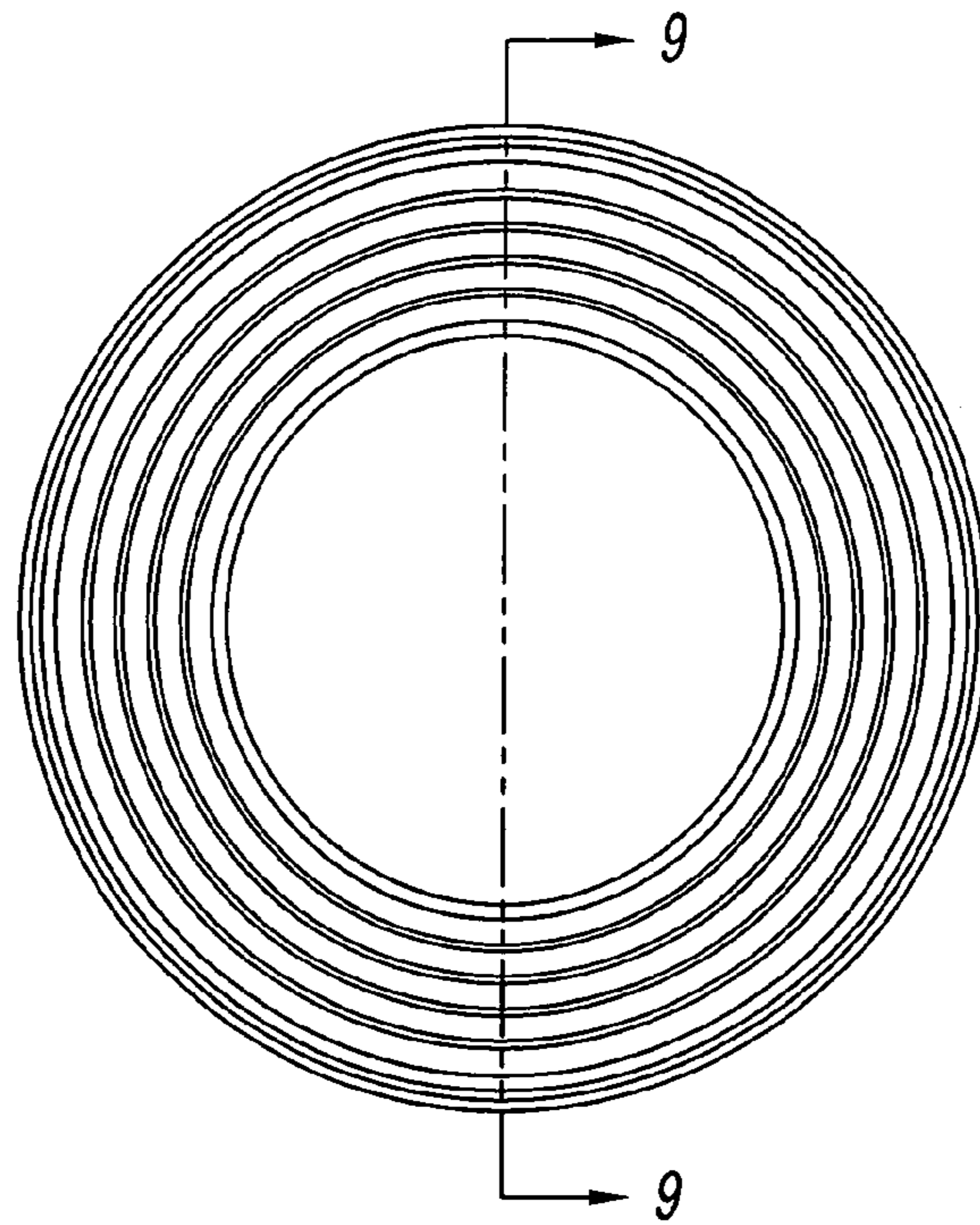


FIG. 10

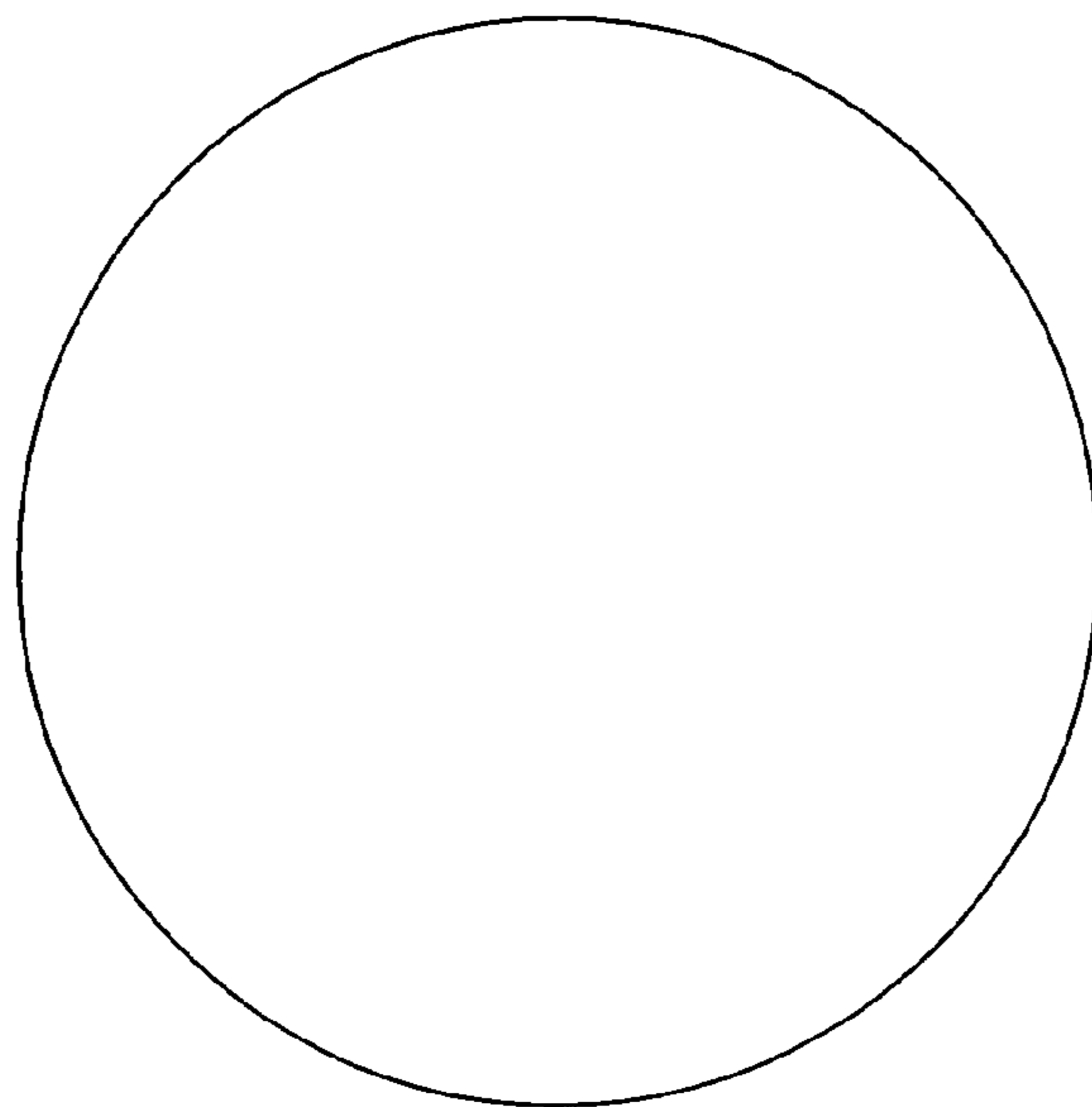


FIG. 11

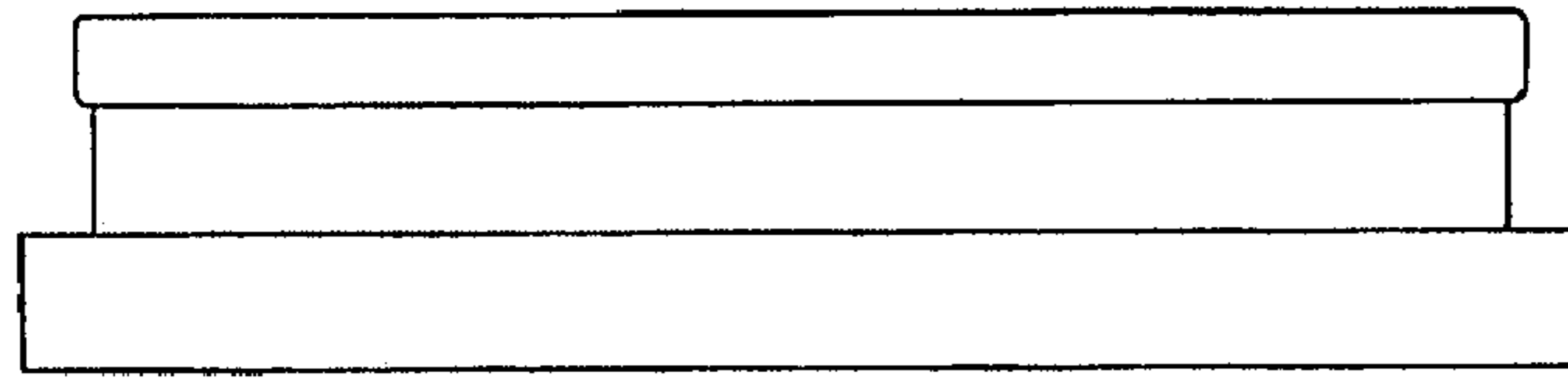


FIG. 12

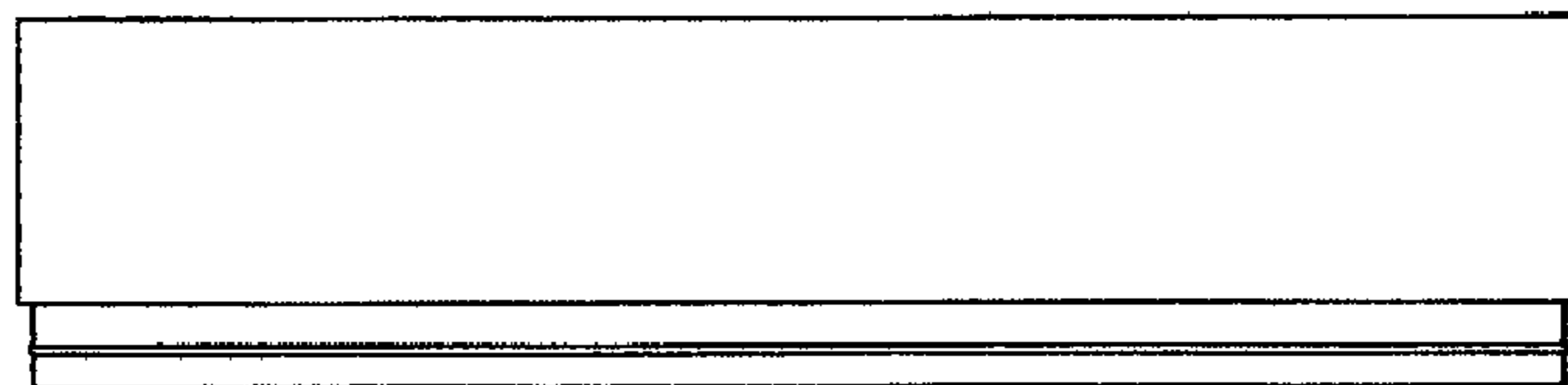


FIG. 13

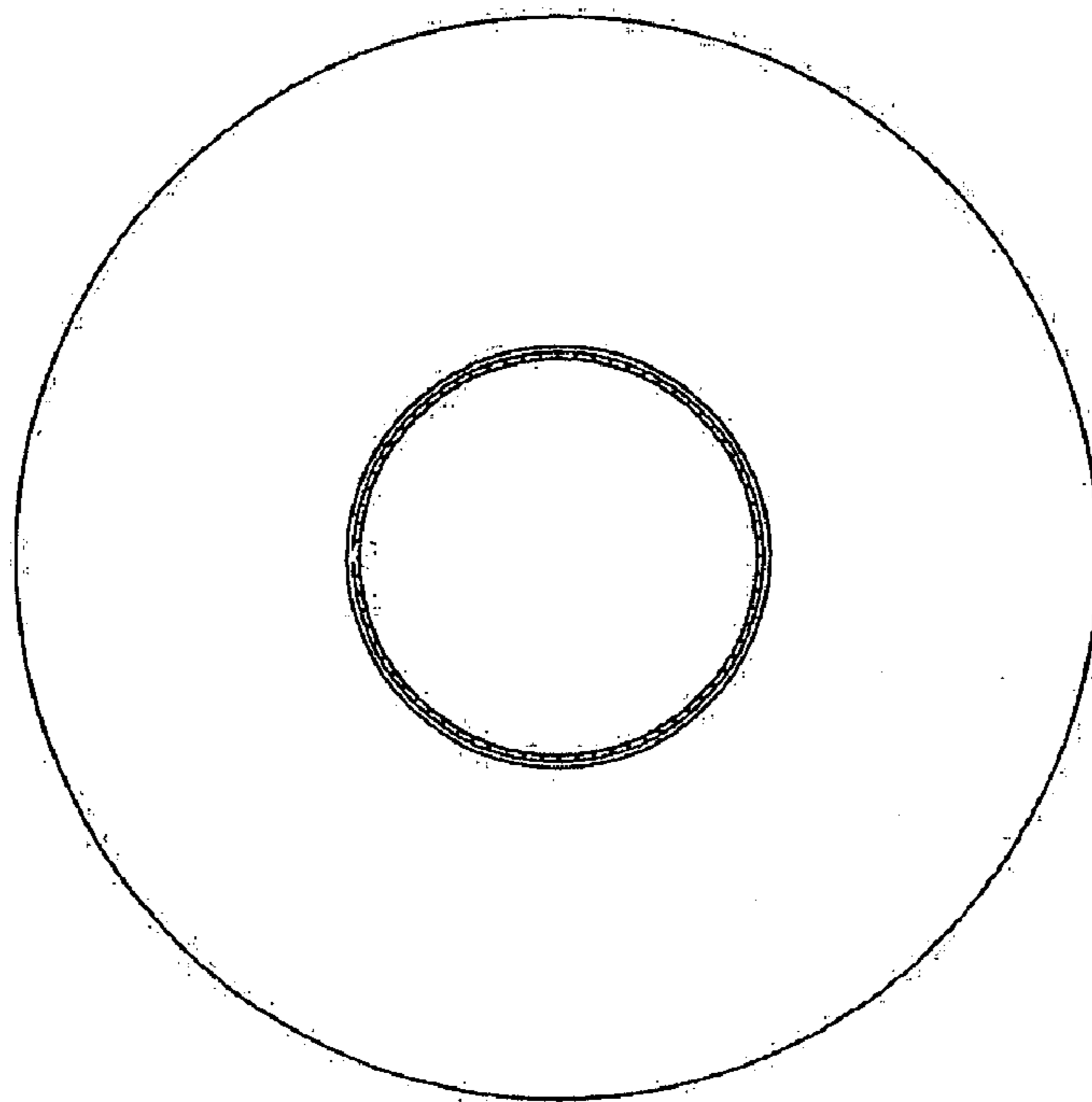


FIG. 14

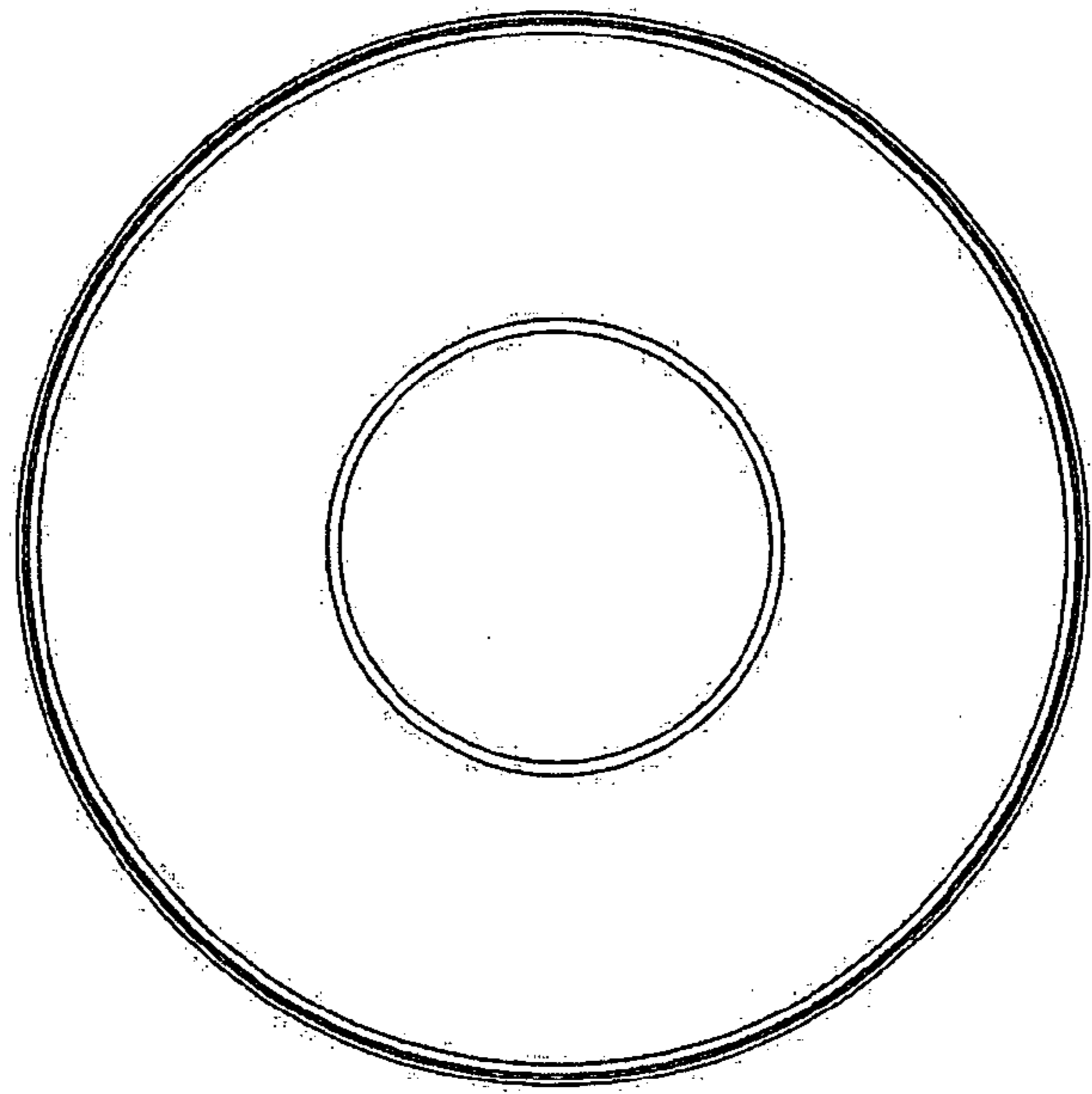


FIG. 15