

US00D544301S

(12) **United States Design Patent**
Tien

(10) **Patent No.:** **US D544,301 S**

(45) **Date of Patent:** **** Jun. 12, 2007**

(54) **LOGO MUG**

(75) Inventor: **Kuang-Hsia Tien**, Monrovia, CA (US)

(73) Assignee: **Sweda Company, LLC**, Monrovia, CA (US)

(**) Term: **14 Years**

(21) Appl. No.: **29/245,807**

(22) Filed: **Dec. 29, 2005**

(51) **LOC (8) Cl.** **07-01**

(52) **U.S. Cl.** **D7/510; D7/511; D7/536**

(58) **Field of Classification Search** D7/507,
D7/509, 510, 511, 536, 533; 215/387, DIG. 7;
220/715, 710.5, 711, 703, 592.16, 592.17;
219/386, 432, 438, 436

See application file for complete search history.

(56) **References Cited**

U.S. PATENT DOCUMENTS

D94,000	S	*	12/1934	Sebring	D7/536
2,028,566	A	*	1/1936	Seipel et al.	294/31.2
D107,991	S	*	1/1938	Hansen	D7/532
D108,220	S	*	2/1938	Shapiro	D7/532
D434,359	S	*	11/2000	Moore	D12/203
D457,396	S	*	5/2002	Janky et al.	D7/510
D467,124	S	*	12/2002	Janky	D7/533
D469,309	S	*	1/2003	Janky	D7/510
D479,669	S	*	9/2003	Norris et al.	D7/532
D480,916	S	*	10/2003	Norris et al.	D7/532

D484,743	S	*	1/2004	Furlong	D7/510
D494,010	S	*	8/2004	Yuen	D7/511
D502,057	S	*	2/2005	Norris et al.	D7/532
D503,073	S	*	3/2005	Lapsker	D7/532
D506,356	S	*	6/2005	Norris et al.	D7/536
D507,458	S	*	7/2005	Allen et al.	D7/532
D510,236	S	*	10/2005	Norris et al.	D7/536
D523,692	S	*	6/2006	Meehan	D7/507
D534,038	S	*	12/2006	Kramer et al.	D7/510

* cited by examiner

Primary Examiner—M. N. Pandozzi

(74) *Attorney, Agent, or Firm*—Clement Cheng, Esq.

(57) **CLAIM**

The ornamental design for a logo mug, as shown and described.

DESCRIPTION

FIG. 1 is a perspective view of a logo mug showing my new design;

FIG. 2 is a front view.

FIG. 3 is a right side view.

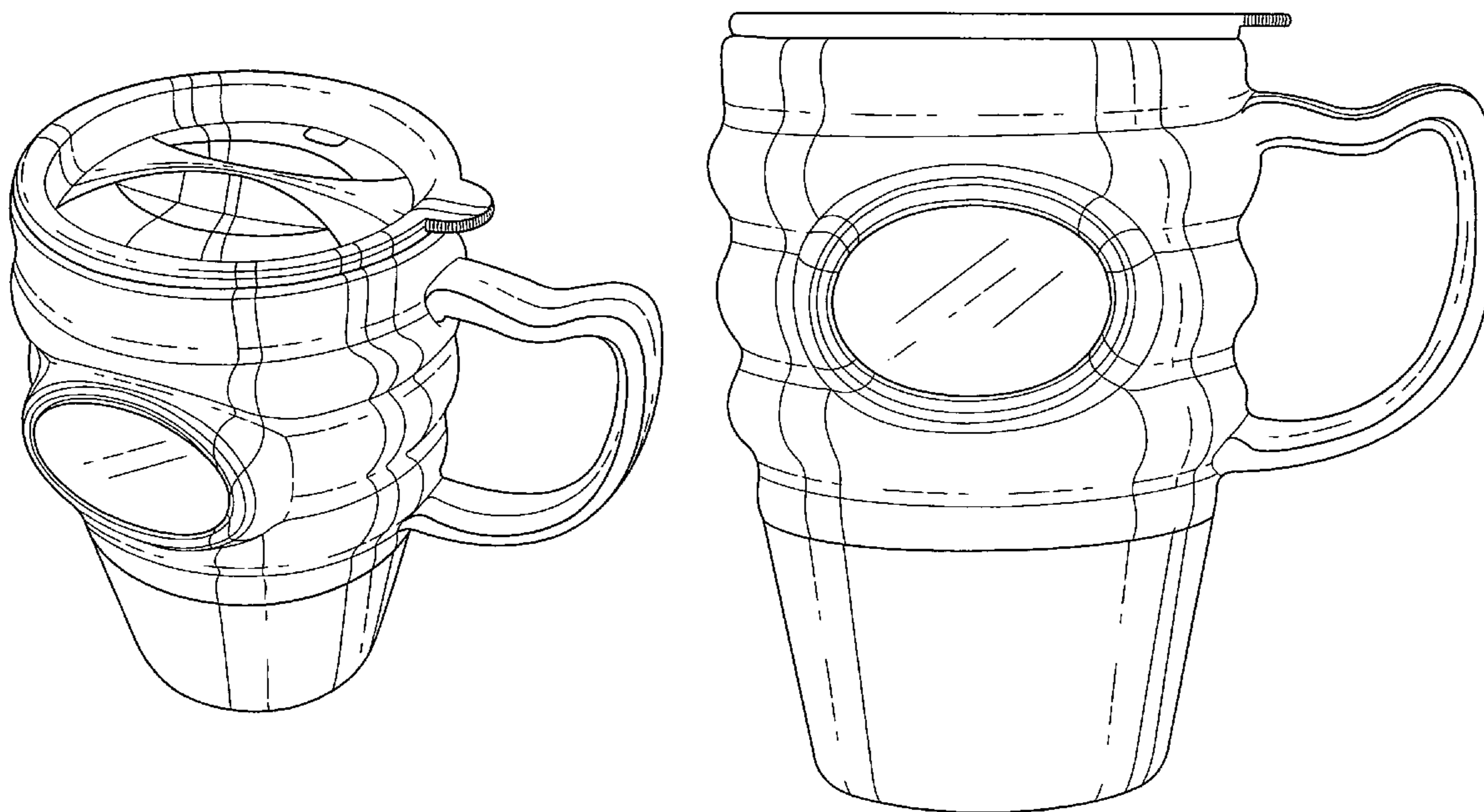
FIG. 4 is a rear side view.

FIG. 5 is a left side view.

FIG. 6 is a top view; and,

FIG. 7 is a bottom view.

1 Claim, 7 Drawing Sheets



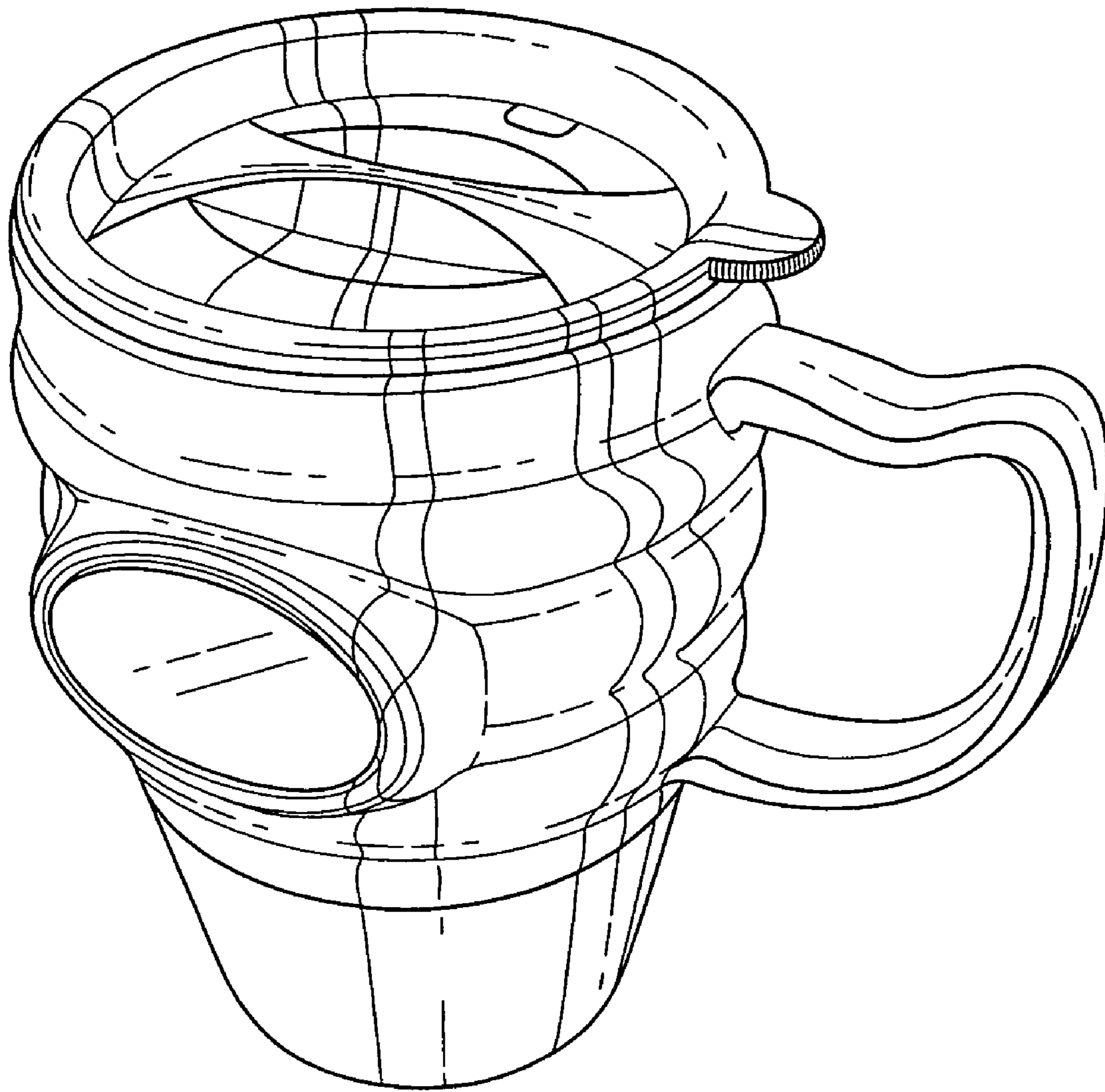


Fig. 1

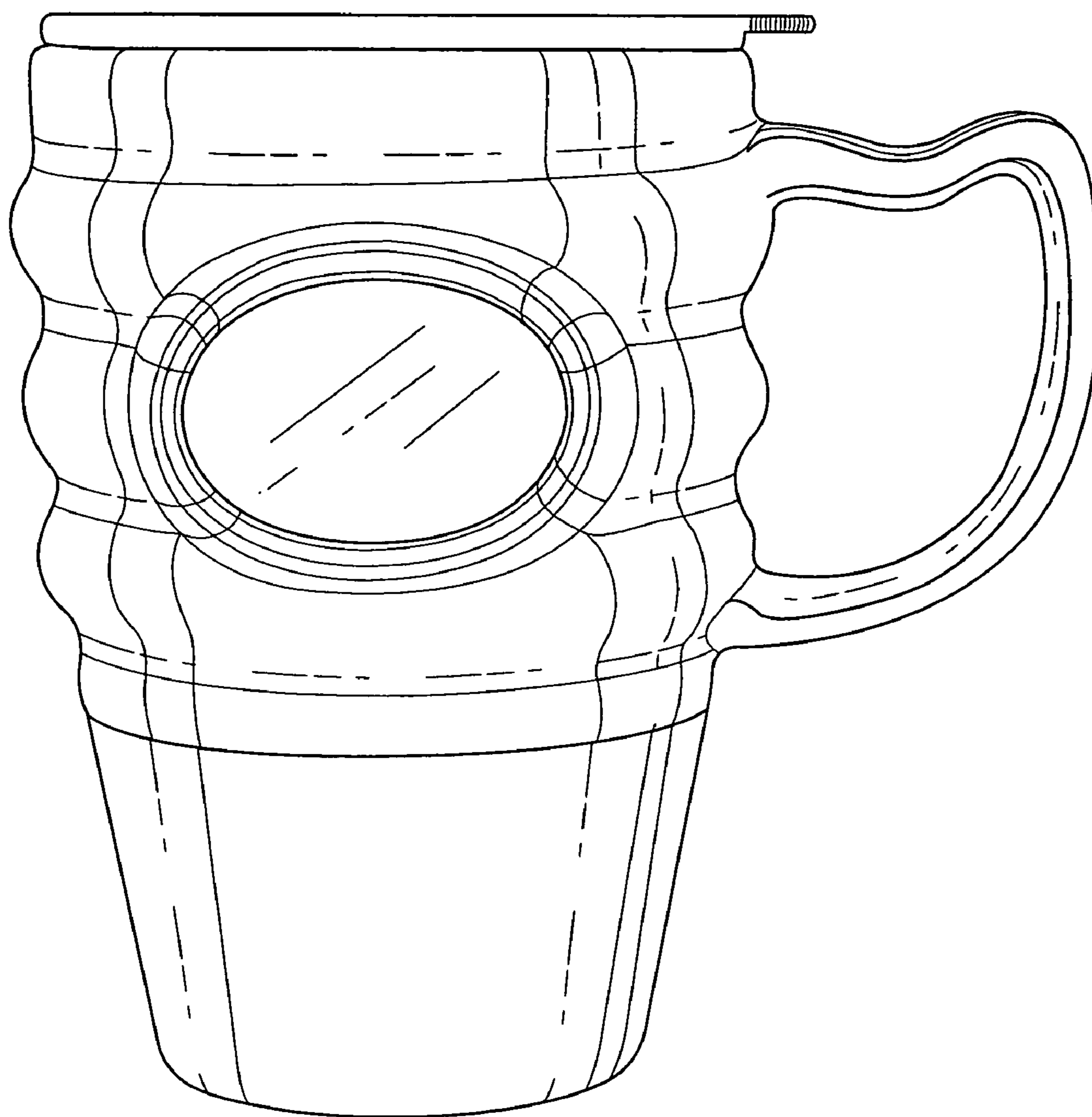


Fig.2

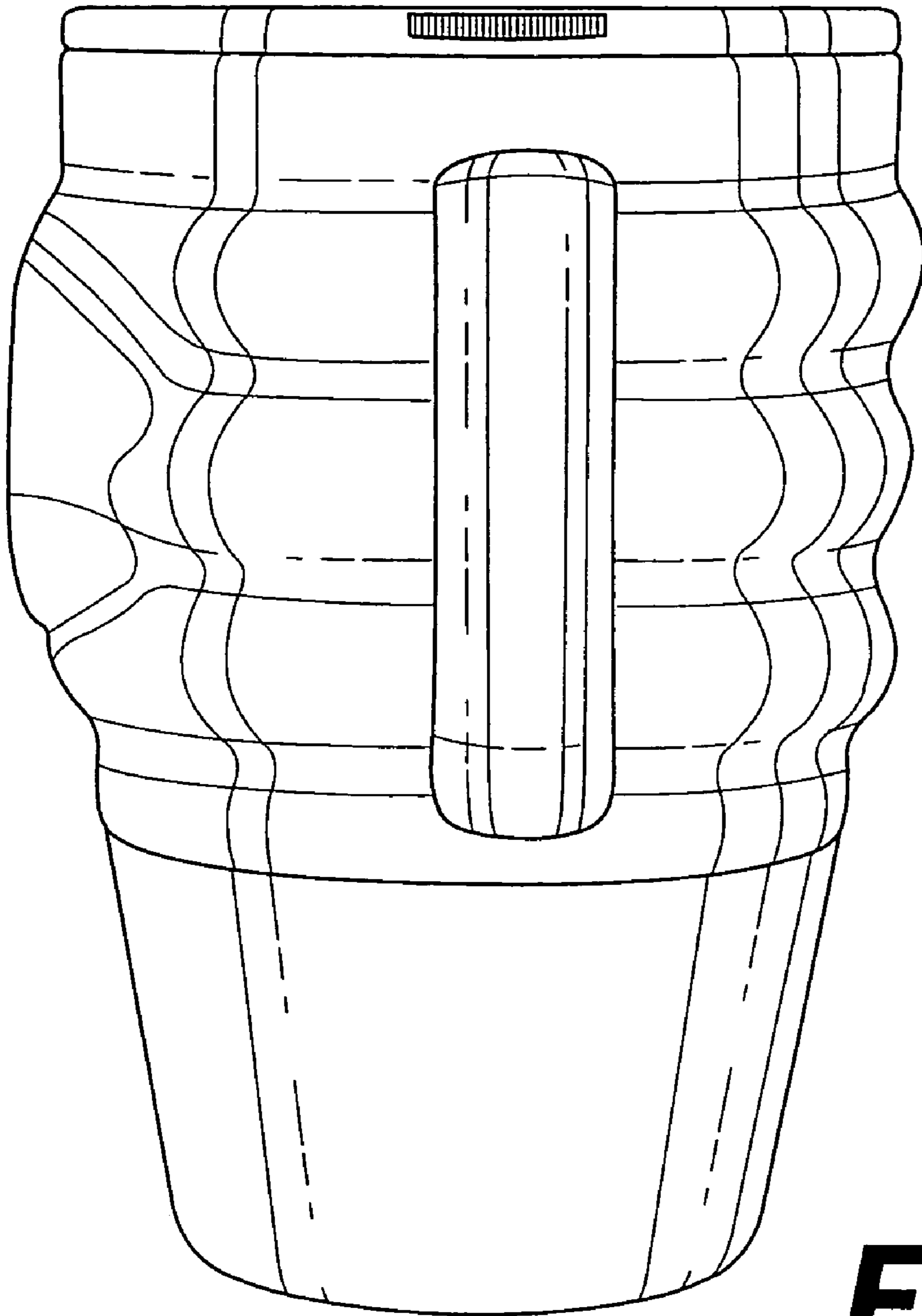


Fig. 3



Fig. 4

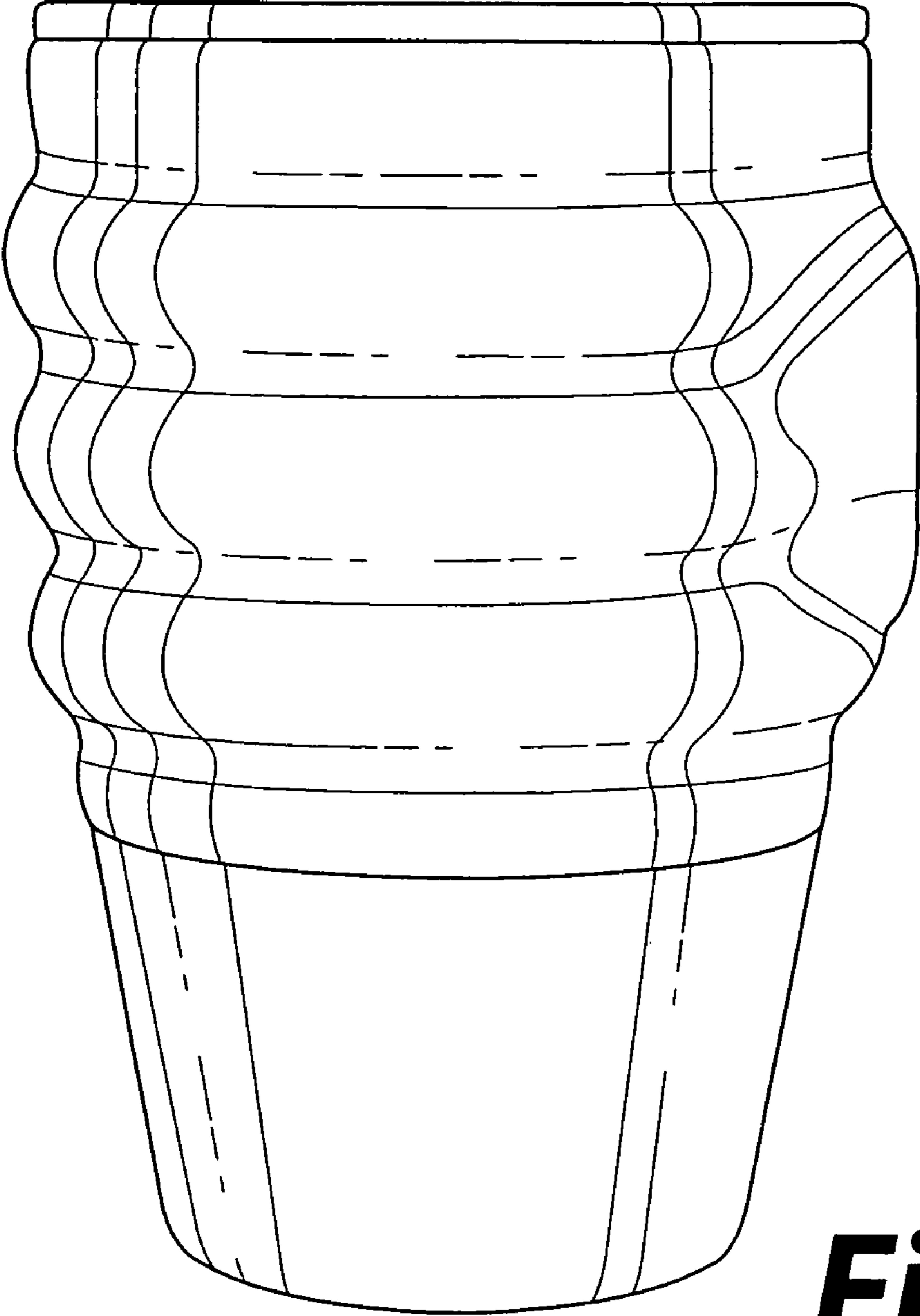


Fig. 5

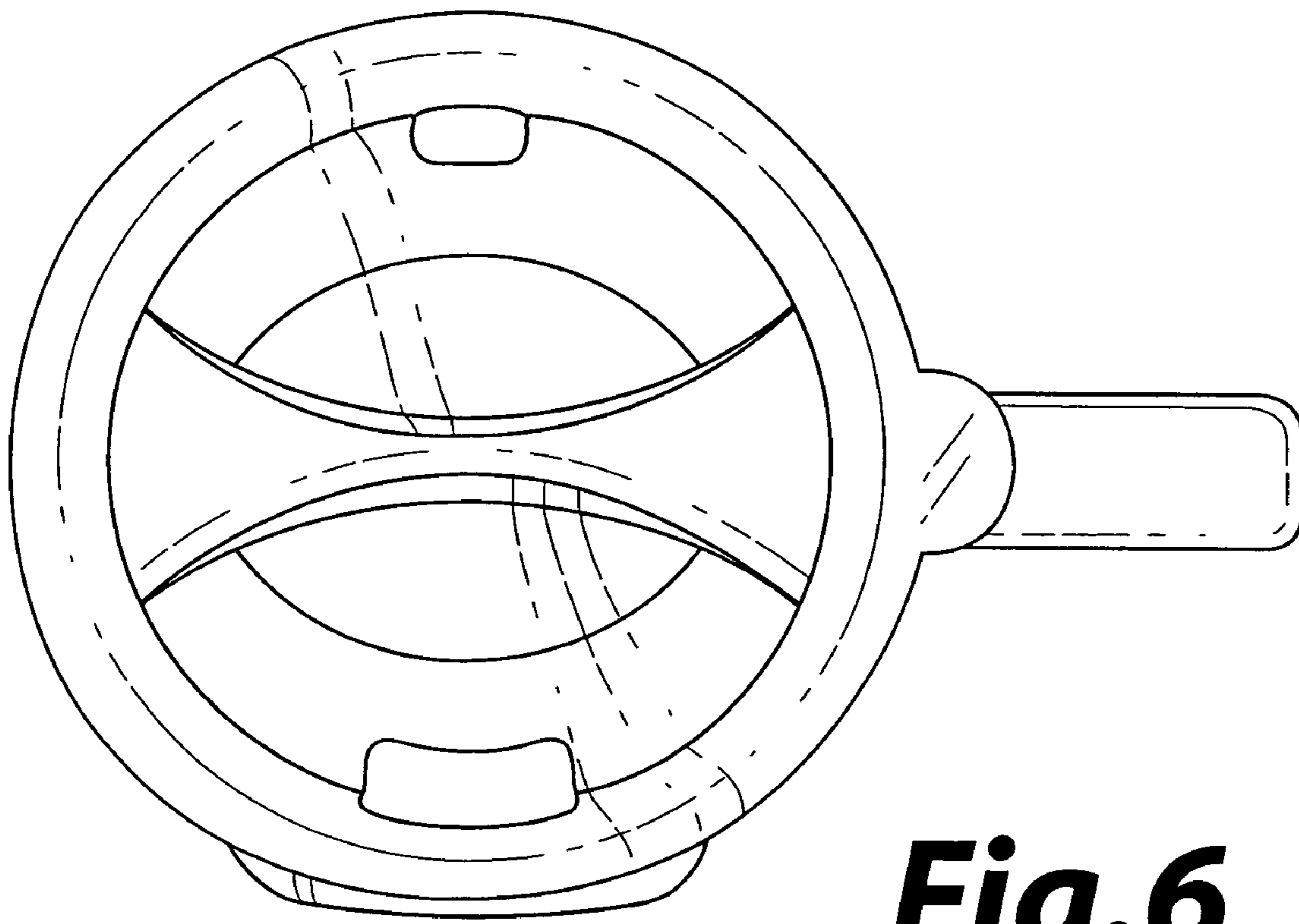


Fig.6

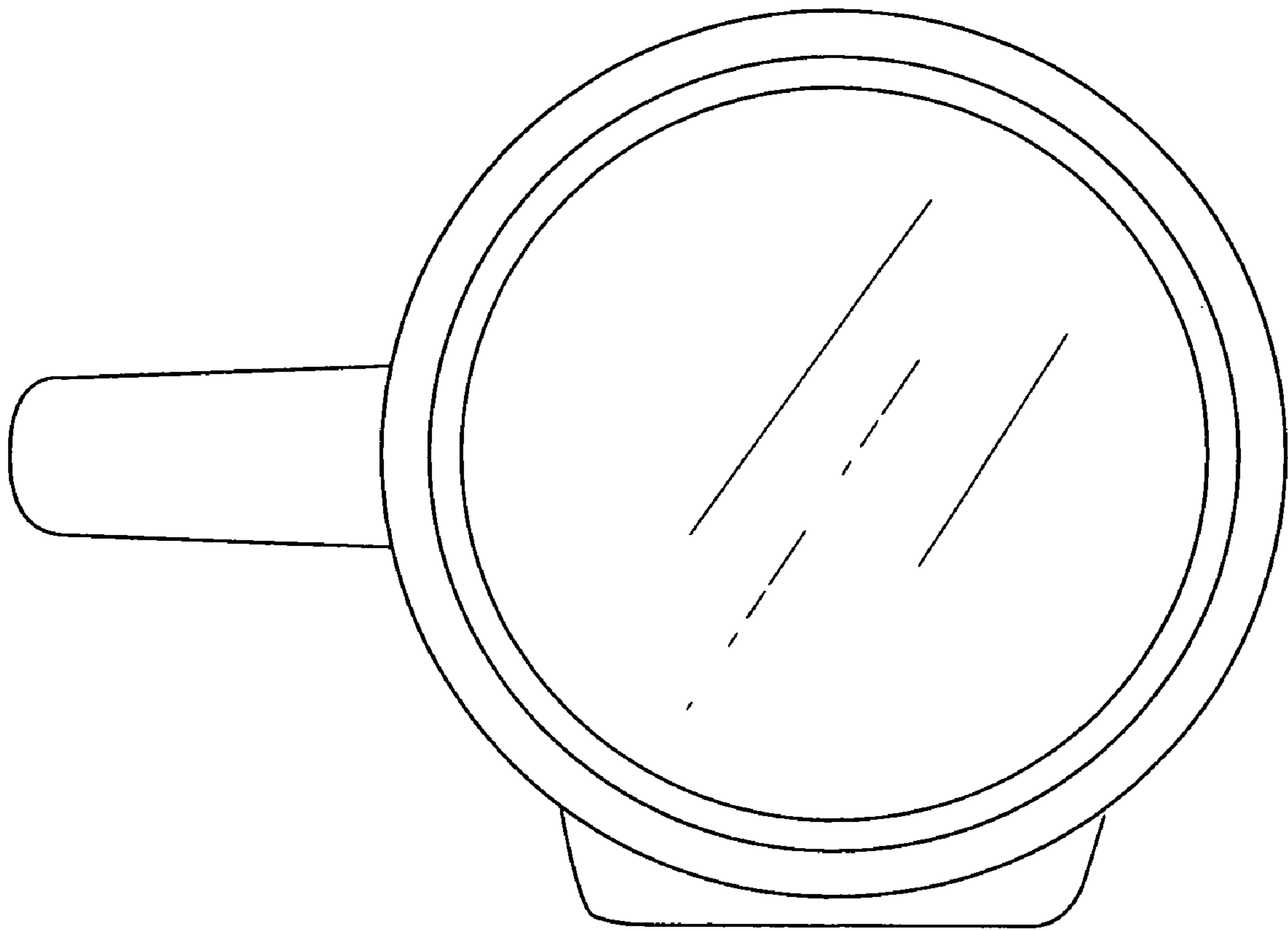


Fig.7