



US00D544299S

(12) **United States Design Patent**
Schaffeld et al.

(10) **Patent No.:** **US D544,299 S**
(45) **Date of Patent:** **** Jun. 12, 2007**

(54) **COFFEE BREWER**

(75) Inventors: **John Schaffeld**, Lexington, MA (US);
Steffen Koury, Chelsea, MA (US);
Paul Metaxatos, Charlestown, MA
(US)

(73) Assignee: **Keurig, Incorporated**, Wakefield, MA
(US)

(**) Term: **14 Years**

(21) Appl. No.: **29/233,145**

(22) Filed: **Jun. 28, 2005**

D261,348 S *	10/1981	Groh et al.	D7/391
4,742,767 A	5/1988	Komatsu et al.	
D350,679 S *	9/1994	Khan et al.	D8/50
D361,025 S *	8/1995	Ho	D8/50
D449,197 S	10/2001	Byler	
D449,955 S	11/2001	Leverrier	
D450,520 S	11/2001	Saltet	
D452,407 S	12/2001	Leverrier	
D453,656 S	2/2002	Byler et al.	
D454,466 S	3/2002	Hong	
D457,376 S	5/2002	Lin	
D462,865 S	9/2002	Honan et al.	
D473,745 S	4/2003	Mulle et al.	
D478,461 S	8/2003	Hoard	
D479,087 S	9/2003	Yao	

(Continued)

Related U.S. Application Data

(63) Continuation-in-part of application No. 29/206,808,
filed on Jun. 3, 2004, now Pat. No. Des. 513,572.

(51) **LOC (8) Cl.** **07-01**

(52) **U.S. Cl.** **D7/397**

(58) **Field of Classification Search** D7/614,
D7/619.1, 622, 624.1-624.2, 701, 705, 708.1,
D7/709, 401.1, 402, 404, 409, 406-408, 300,
D7/301, 393, 305-312, 314, 316-319, 321,
D7/322, 354, 359, 360, 368, 391-394, 397,
D7/399, 550.1, 551.1, 514-521, 553.2, 599,
D7/600-602, 604, 608; D6/406.1-406.6,
D6/515; D10/46.2-46.3; D20/1-9; D21/369,
D21/385; D23/201; D34/39; 140/370;
210/282; 99/275, 323.3, 341, 348, 359, 425,
99/450, 467, 468; 206/216, 557; 222/146.4,
222/129.1-129.4, 469, 472; 211/74-77;
220/737-743, 752; 248/309.1-316.8; 311/300;
D8/49

See application file for complete search history.

(56) **References Cited**

U.S. PATENT DOCUMENTS

D127,979 S * 7/1941 Travis et al. D7/300
D157,363 S * 2/1950 Frankel D7/391

Primary Examiner—Philip S. Hyder

Assistant Examiner—Cynthia Underwood

(74) *Attorney, Agent, or Firm*—Wolf, Greenfield & Sacks,
P.C.

(57) **CLAIM**

The ornamental design for coffee brewer, as shown and
described.

DESCRIPTION

FIG. 1 is a front perspective view of a coffee brewer in
accordance with the invention;

FIG. 2 is a front view of the coffee brewer;

FIG. 3 is a right side view of the coffee brewer;

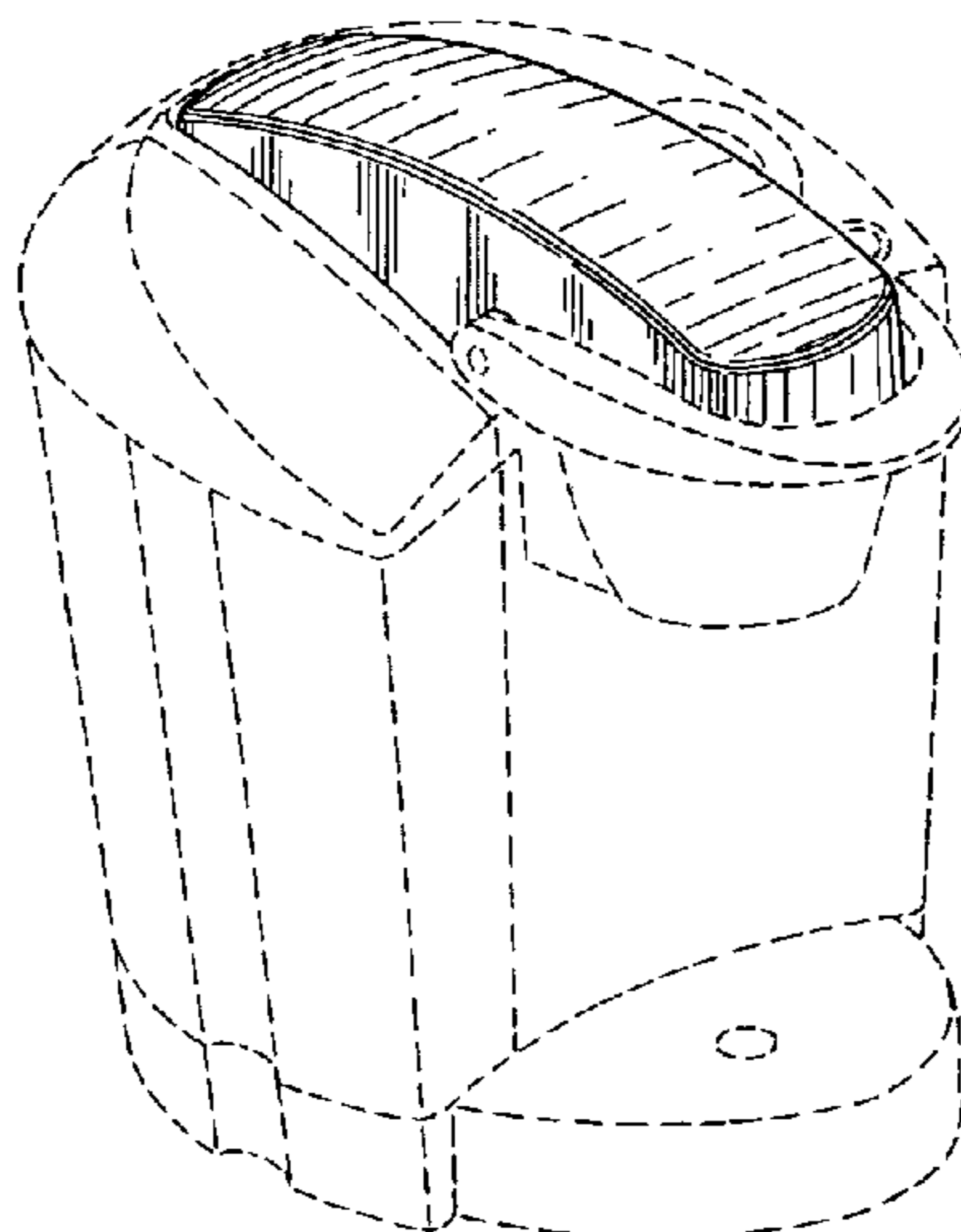
FIG. 4 is a rear view of the coffee brewer;

FIG. 5 is a left side view of the coffee brewer; and,

FIG. 6 is a top view of the coffee brewer.

Portions of the design shown in dashed line form no part of
the claimed invention, but rather are shown for context or
environment only. Thus, only the elongated portion at the
top of the brewer shown in solid line forms the claimed
invention.

1 Claim, 3 Drawing Sheets



US D544,299 S

Page 2

U.S. PATENT DOCUMENTS

D479,088 S	9/2003	Yao	D502,841 S	3/2005	Santer	
D479,089 S	9/2003	Yao	D514,371 S *	2/2006	Yang et al.	D7/309
D481,902 S	11/2003	O'Connor et al.	D518,327 S *	4/2006	Heieck	D7/309
D483,214 S	12/2003	Holderfield et al.	D528,845 S *	9/2006	Zimmermann	D7/309
D488,663 S	4/2004	Price et al.	D530,578 S *	10/2006	Sauter et al.	D8/50
D489,215 S	5/2004	Honan et al.	D533,017 S *	12/2006	Wilson	D7/376
D495,190 S	8/2004	Picozza et al.	D533,756 S *	12/2006	Chang	D8/50
D502,044 S	2/2005	Lin	D534,776 S *	1/2007	Hong	D8/50
D502,628 S	3/2005	Ledingham et al.				

* cited by examiner

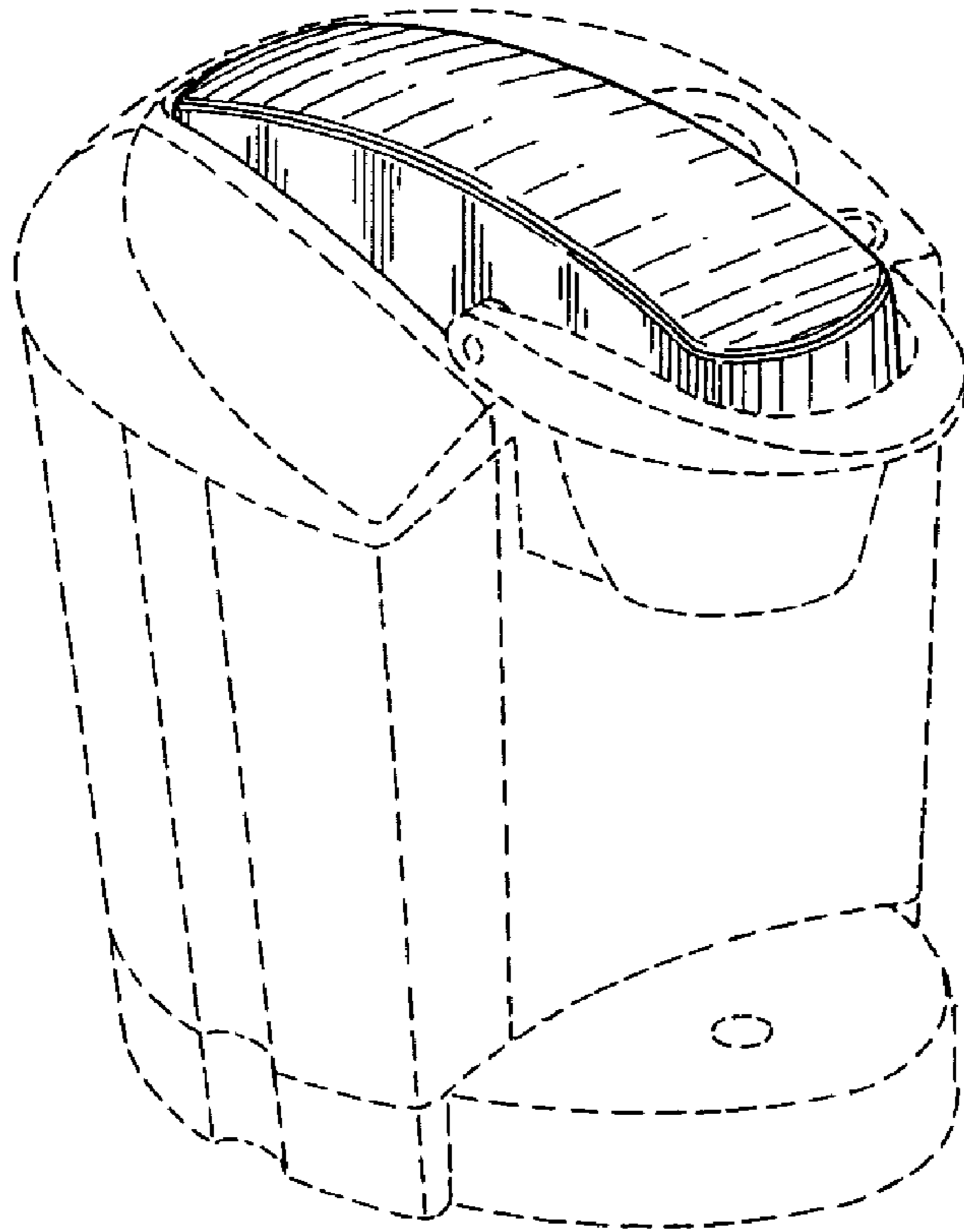


Fig. 1

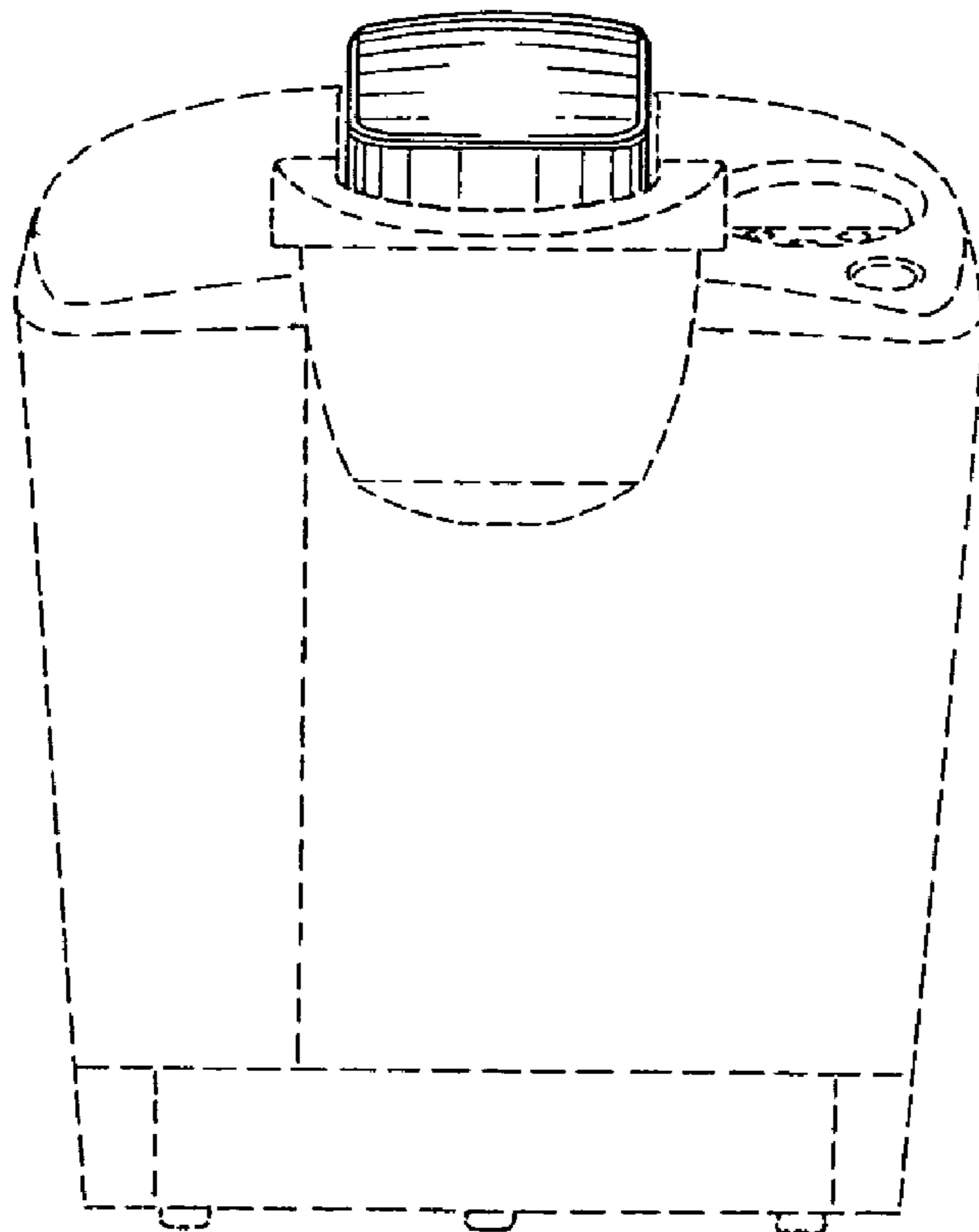


Fig. 2

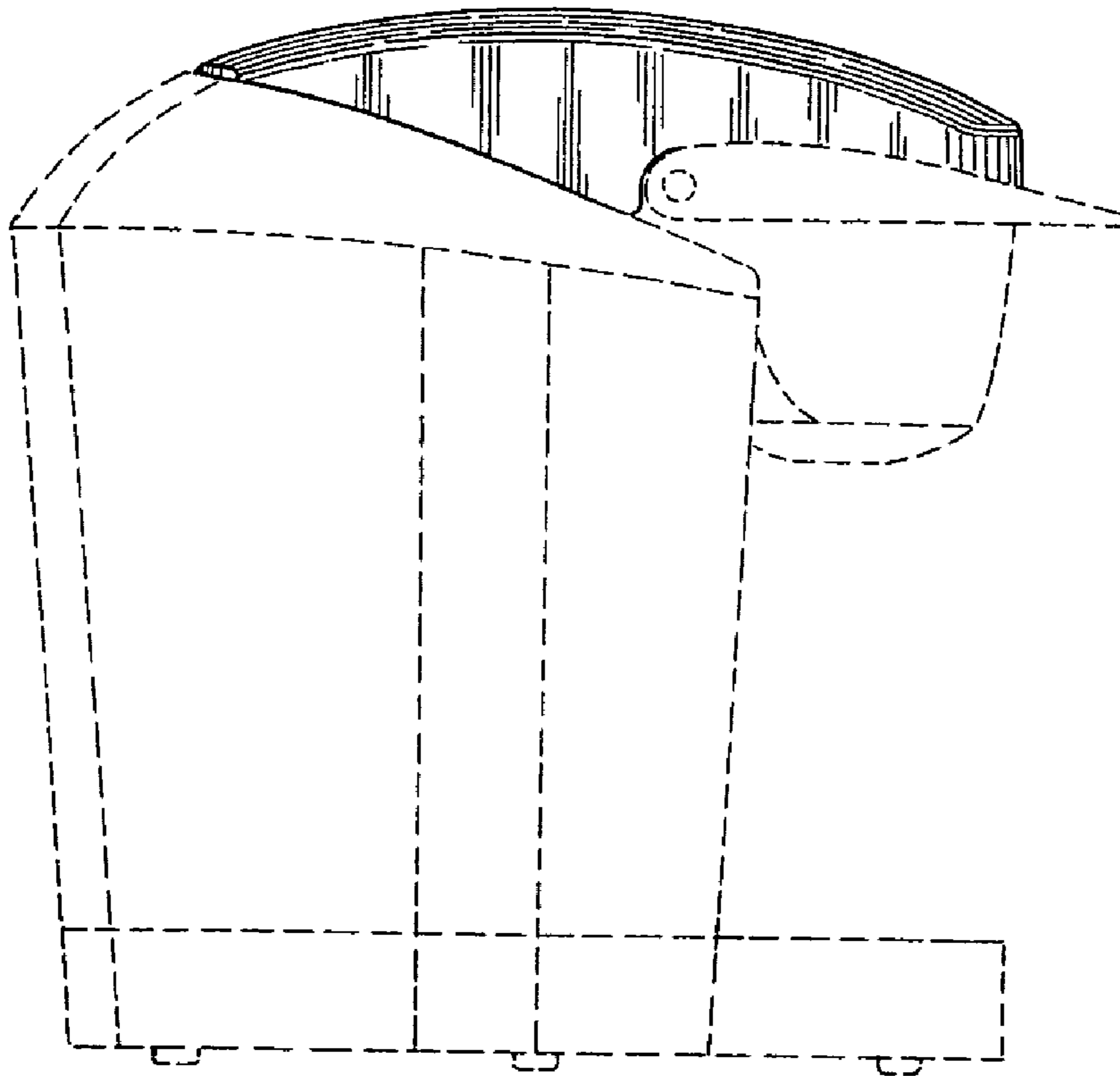


Fig. 3

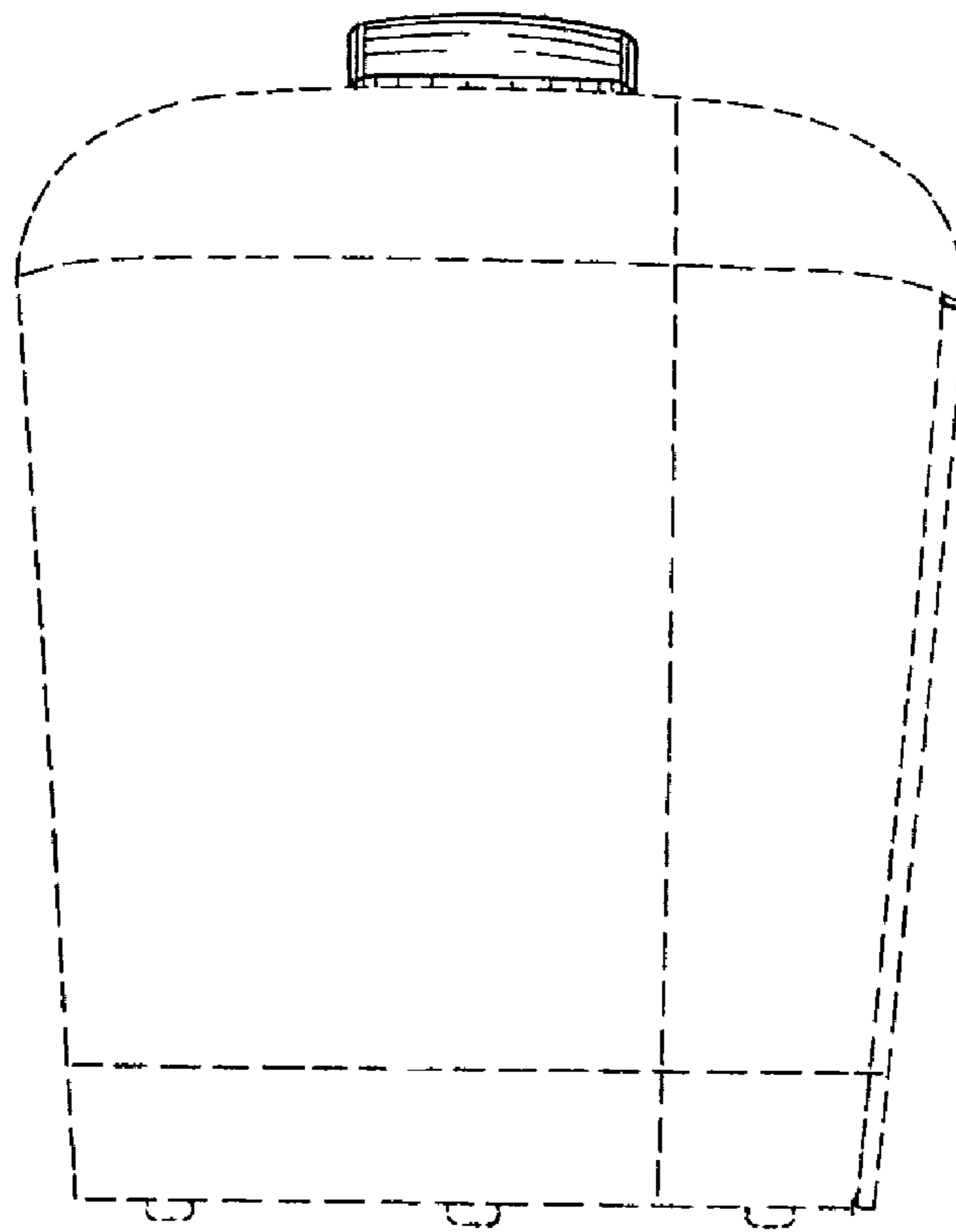


Fig. 4

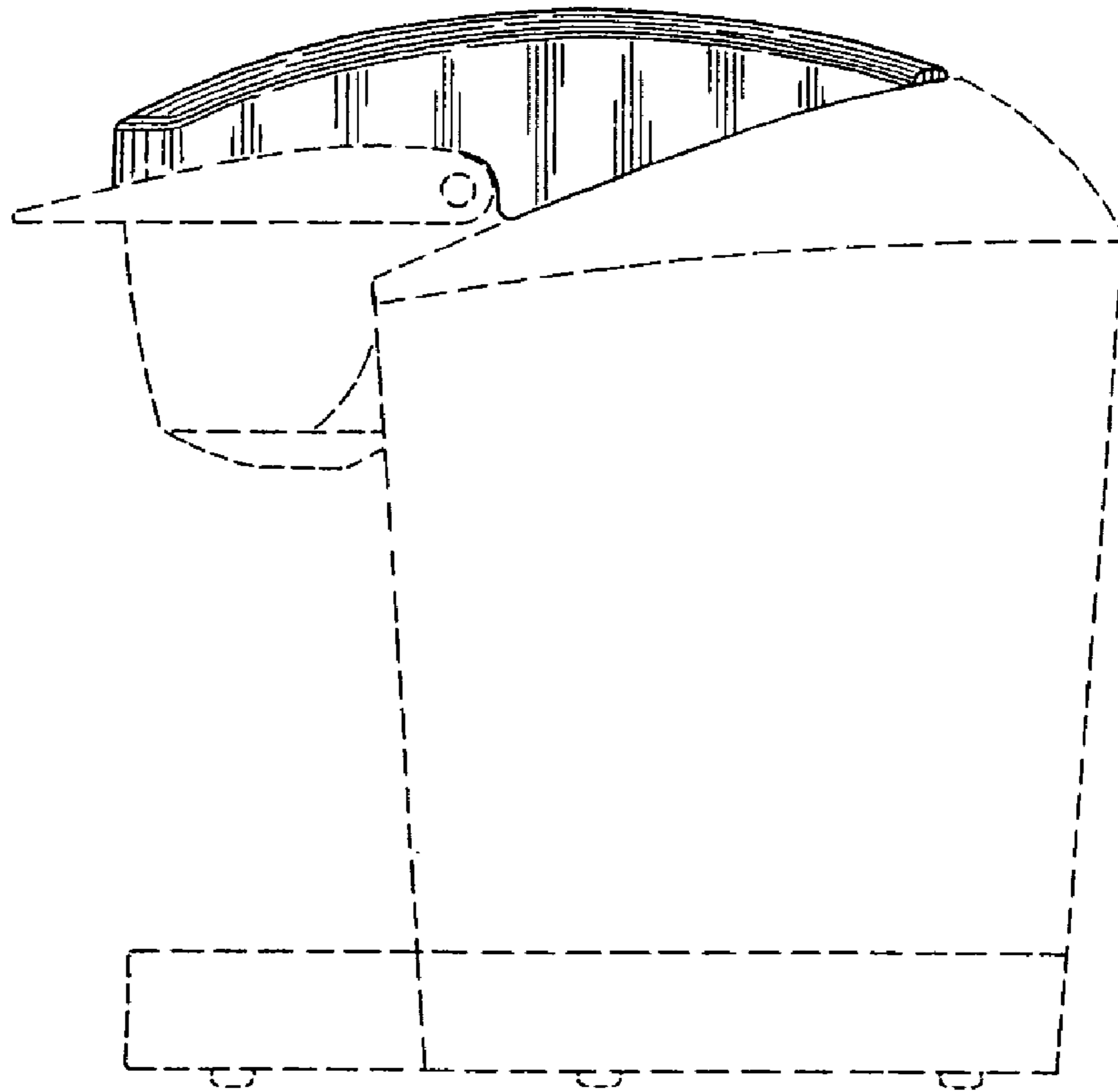


Fig. 5

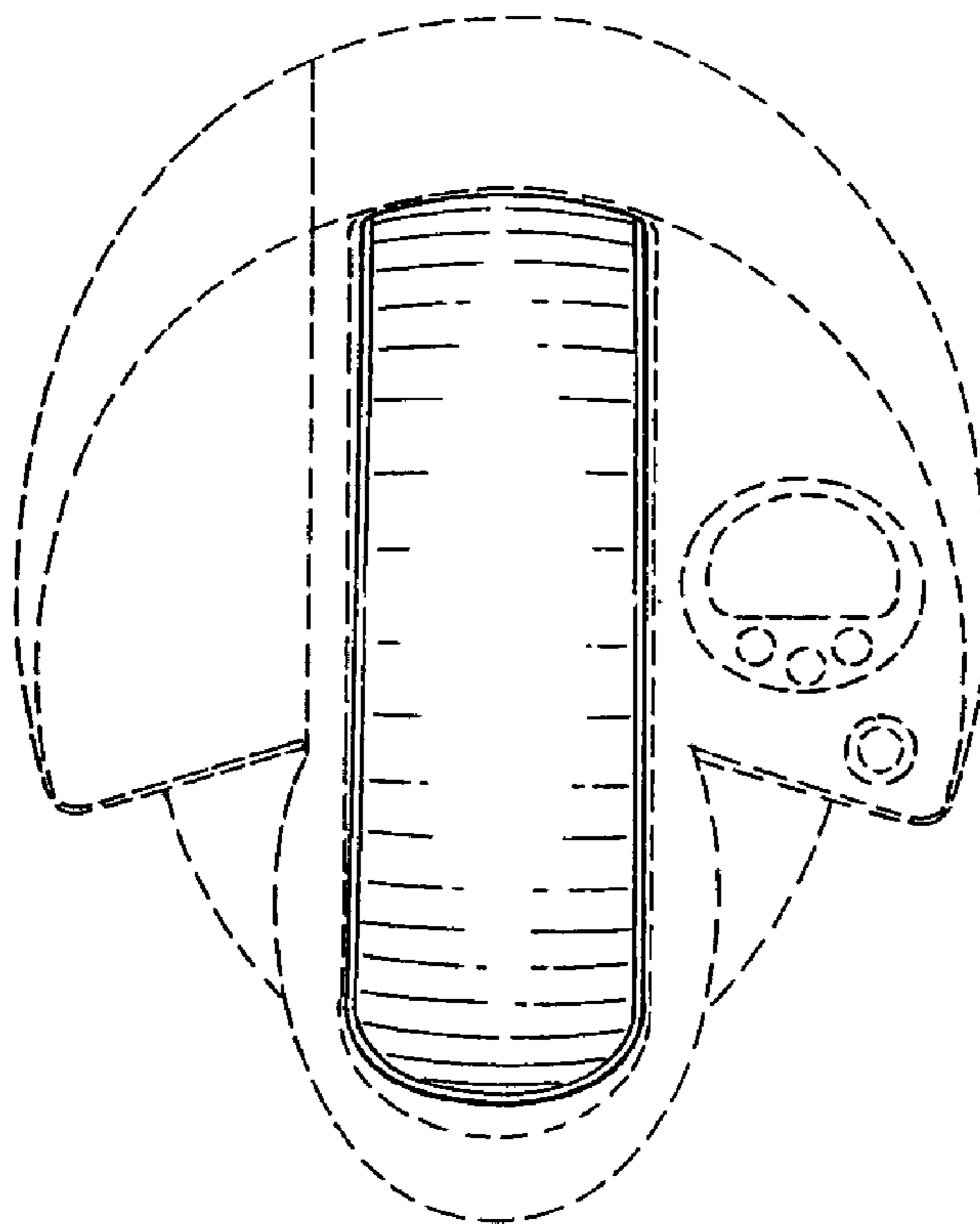


Fig. 6