

US00D544298S

(12) **United States Design Patent**
Eide et al.

(10) **Patent No.:** **US D544,298 S**
(45) **Date of Patent:** **** Jun. 12, 2007**

(54) **OUTER SURFACE OF A BOWL**
(75) Inventors: **Anna Eide**, Elmira, NY (US); **Jeffrey Kell**, Rush, NY (US); **Timothy Virkus**, Painted Post, NY (US)

(73) Assignee: **WKI Holding Company, Inc.**, Rosemont, IL (US)

(**) Term: **14 Years**

(21) Appl. No.: **29/248,381**

(22) Filed: **Aug. 11, 2006**

Related U.S. Application Data

(62) Division of application No. 29/238,006, filed on Sep. 9, 2005.

(51) **LOC (8) Cl.** **07-01**

(52) **U.S. Cl.** **D7/396.1; D7/565; D7/531; D7/560; D9/774**

(58) **Field of Classification Search** D7/500, D7/510, 511, 523, 524, 526, 527, 528, 530-532, D7/538-542, 560-562, 568, 545, 584, 586, D7/587, 601, 602, 354-358, 565, 691, 570-575, D7/323, 608, 392.1, 547, 566, 396.4, 396.5; D9/502, 504, 516, 535, 539, 555, 738, 739
See application file for complete search history.

(56) **References Cited**

U.S. PATENT DOCUMENTS

D43,852 S *	4/1913	Sanford	D7/565
D51,878 S *	3/1918	Evans	D7/540
D52,727 S *	12/1918	Beiswanger	D7/540
3,545,645 A *	12/1970	Smith	220/658
D282,330 S *	1/1986	McBride	D7/536
D285,534 S *	9/1986	Itoh et al.	D9/774

D306,972 S *	4/1990	Moloney et al.	D9/774
D332,750 S *	1/1993	Moloney et al.	D9/774
D413,766 S *	9/1999	Hou	D7/531
D438,794 S *	3/2001	Miles et al.	D9/429
D460,663 S *	7/2002	Seager	D7/565
D493,668 S *	8/2004	Hsu	D7/531
D514,949 S *	2/2006	Dalton et al.	D9/556

* cited by examiner

Primary Examiner—Philip S. Hyder

Assistant Examiner—Cynthia Underwood

(74) *Attorney, Agent, or Firm*—McDermott Will & Emery LLP

(57) **CLAIM**

What is claimed is the ornamental design for an outer surface of a bowl, as shown and described.

DESCRIPTION

FIG. 1 is a perspective view of the outer surface of a bowl according to the new design;

FIG. 2 is a front view of the outer surface of the bowl shown in FIG. 1;

FIG. 3 is a top view of the outer surface of the bowl shown in FIG. 1;

FIG. 4 is a side elevation view of the outer surface of one side of the bowl shown in FIG. 1, the opposed side elevation view being a mirror image thereof;

FIG. 5 is a bottom view of the outer surface of the bowl shown in FIG. 1; and,

FIG. 6 is a rear view of the outer surface of the bowl shown in FIG. 1.

Features shown in broken lines are for illustrative purposes only and form no part of the claimed design.

1 Claim, 3 Drawing Sheets

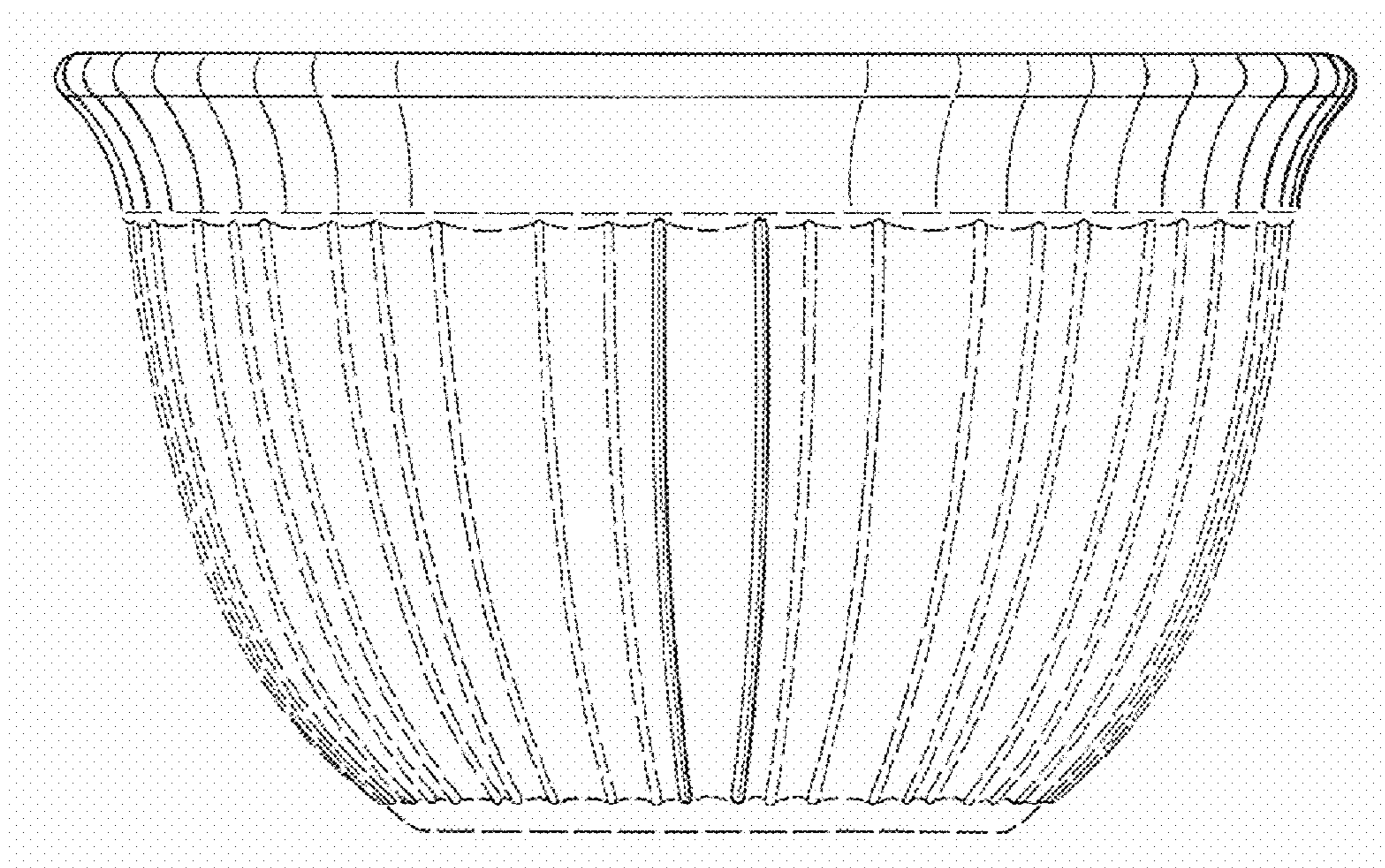


FIG. 1

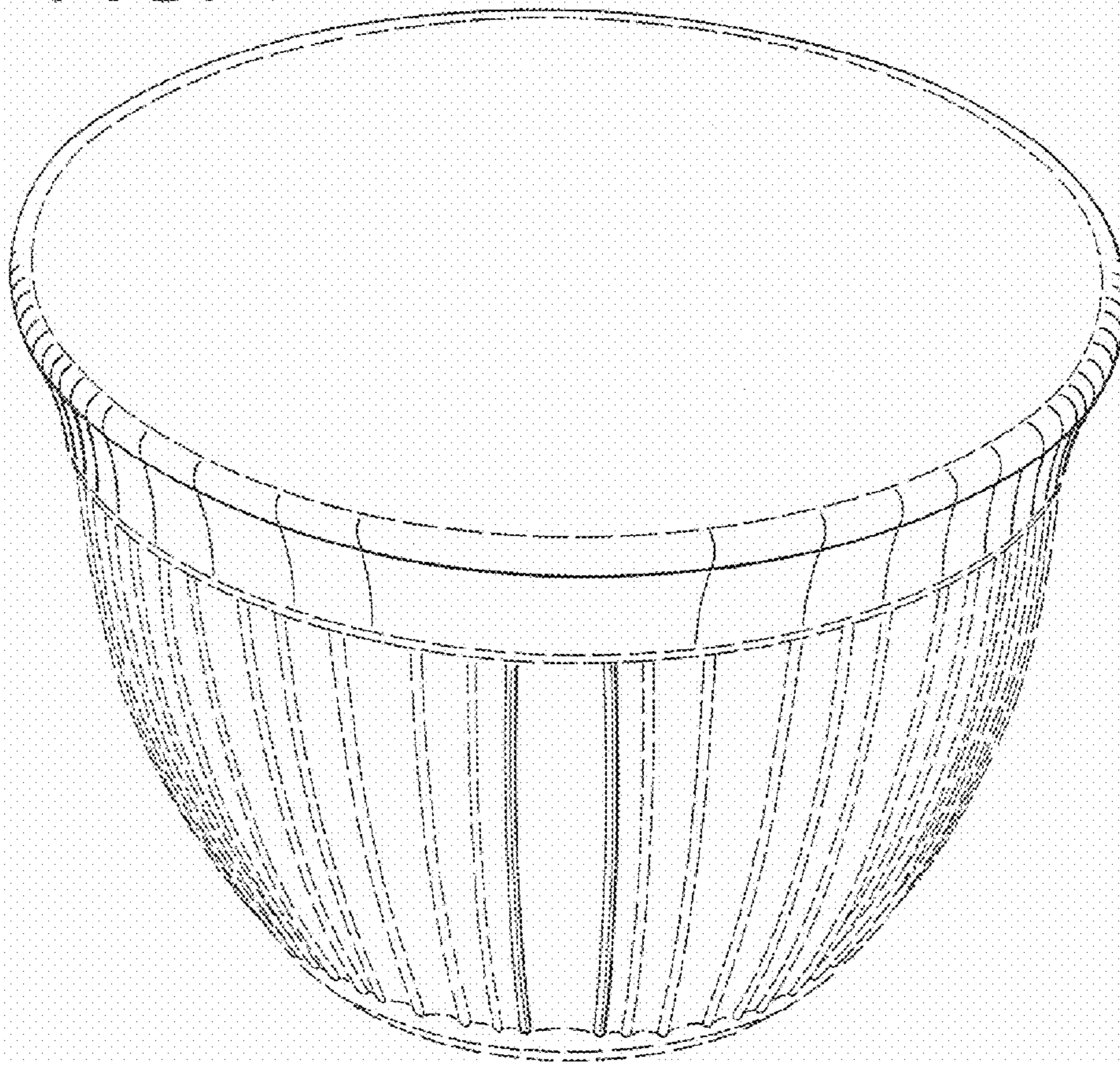


FIG. 2

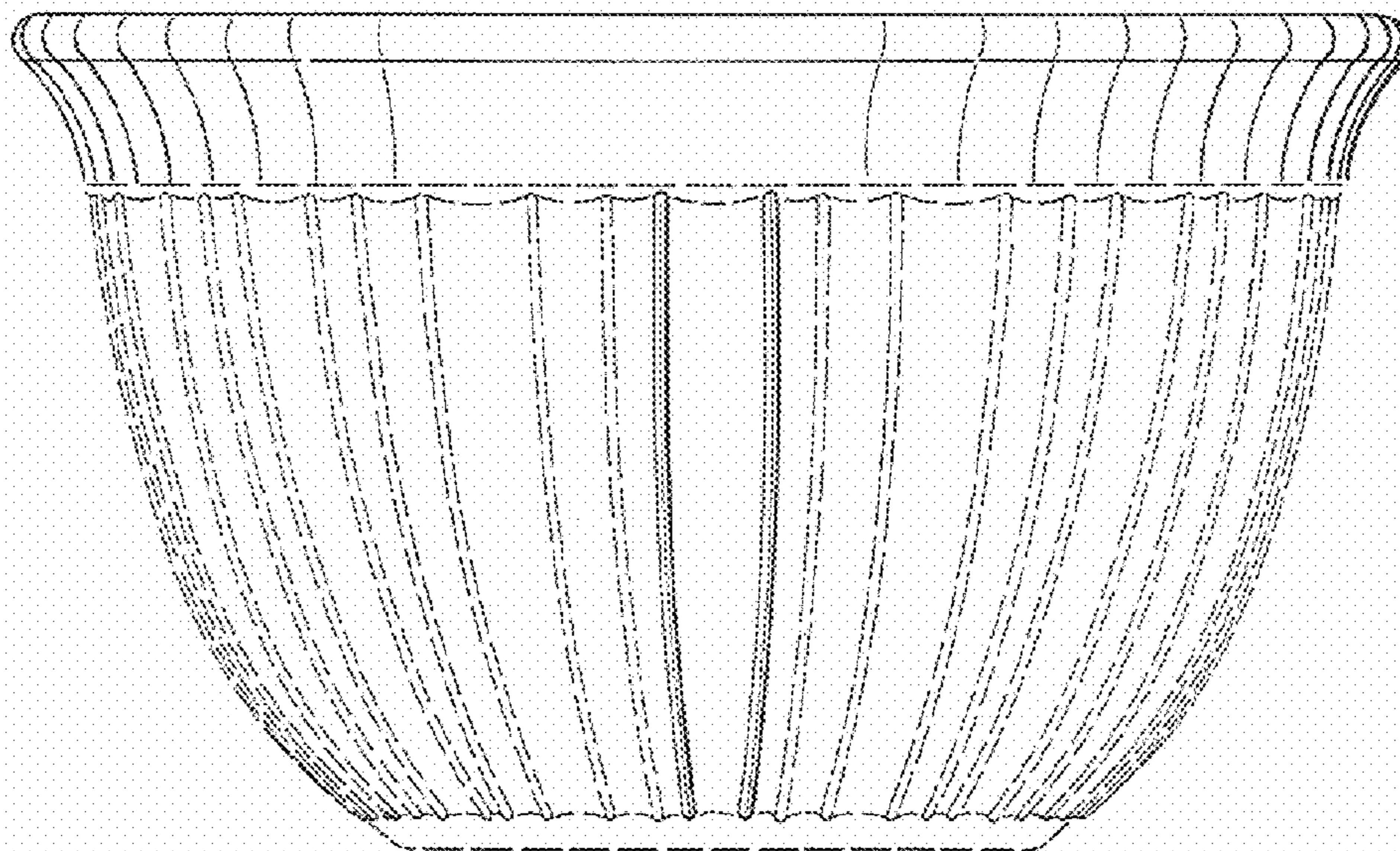


FIG. 3

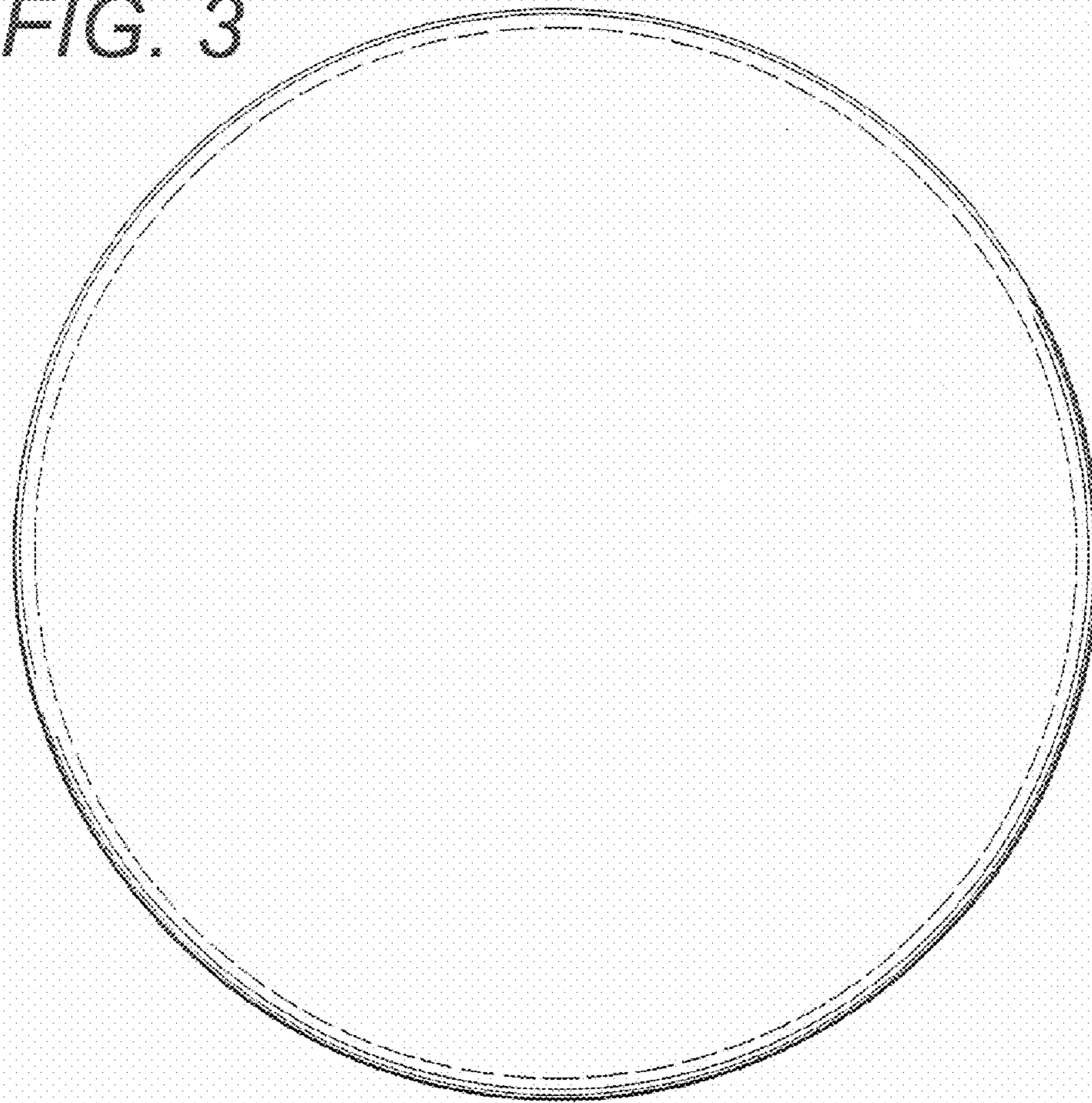


FIG. 4

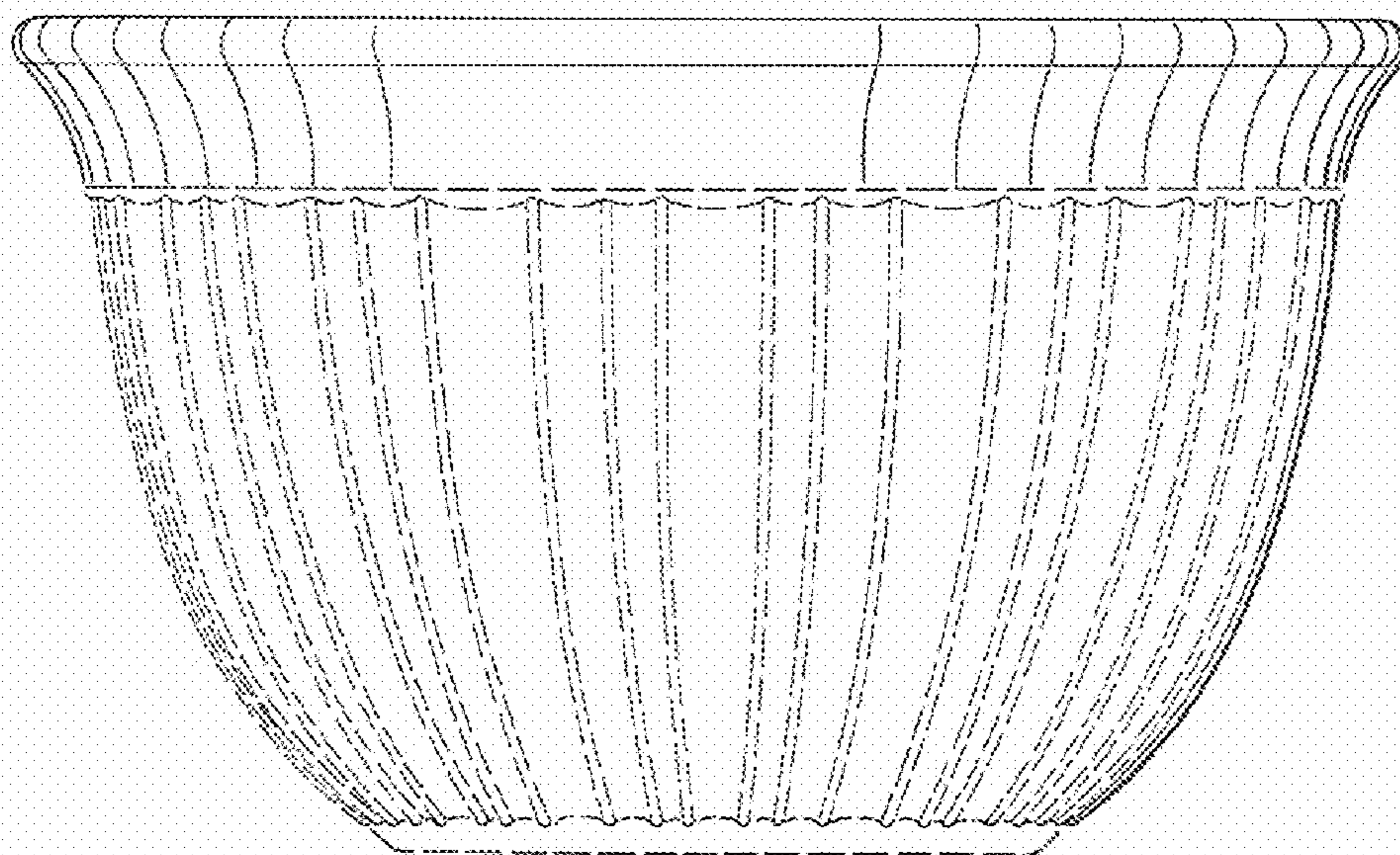


FIG. 5

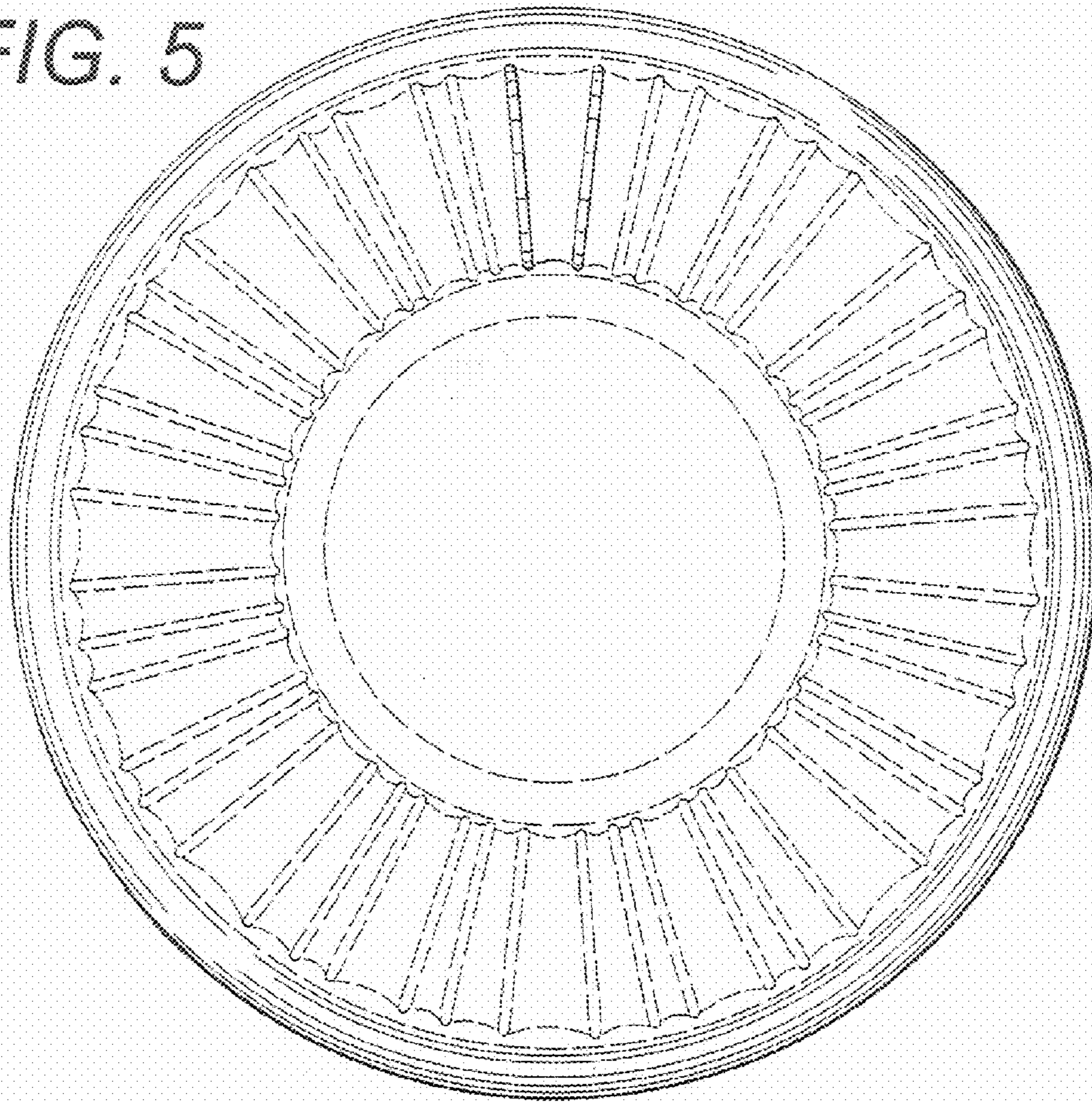


FIG. 6

