



US00D544294S

(12) **United States Design Patent**
Lee

(10) **Patent No.:** **US D544,294 S**
(45) **Date of Patent:** **** Jun. 12, 2007**

(54) **FRYING PAN**

(75) Inventor: **Hyun Sam Lee**, Busan (KR)

(73) Assignee: **Chefel Co., Ltd.**, Busan (KR)

(**) Term: **14 Years**

(21) Appl. No.: **29/266,905**

(22) Filed: **Oct. 2, 2006**

(30) **Foreign Application Priority Data**

Apr. 10, 2006 (KR) 30-2006-0013184

(51) **LOC (8) Cl.** **07-02**

(52) **U.S. Cl.** **D7/354**

(58) **Field of Classification Search** D7/323,
D7/328-330, 352-361, 409-411, 391-396.1,
D7/500, 545, 546, 586; 99/140 R, 324, 339,
99/345, 422, 424, 426, 445; 219/620-622,
219/725-730; 220/573.1-574, 912; 222/146,
222/572

See application file for complete search history.

(56) **References Cited**

U.S. PATENT DOCUMENTS

D236,415 S * 8/1975 Cyren D7/361
D244,245 S * 5/1977 Jensen D7/586
D312,750 S * 12/1990 Unger D7/545
D366,181 S * 1/1996 Rossiaud D7/361
D377,438 S * 1/1997 Brunianyn D7/361

D377,883 S * 2/1997 Candianides D7/361
D470,716 S * 2/2003 Kloppsteck D7/361
D475,579 S * 6/2003 Jørgensen D7/545
D482,563 S * 11/2003 Candianides D7/361
D497,767 S * 11/2004 Cacace D7/361
D499,933 S * 12/2004 Rutter et al. D7/396.1
D501,365 S * 2/2005 Kellermann et al. D7/546
D519,778 S * 5/2006 Brasset D7/361

* cited by examiner

Primary Examiner—Cathron C. Brooks

Assistant Examiner—Ricky Pham

(74) *Attorney, Agent, or Firm*—Rothwell, Figg, Ernst & Manbeck, P.C.

(57) **CLAIM**

The ornamental design for a frying pan, as shown and described.

DESCRIPTION

FIG. 1 is a Perspective View of the frying pan

FIG. 2 is a Front View of the frying pan (the rear view is a mirror image thereof)

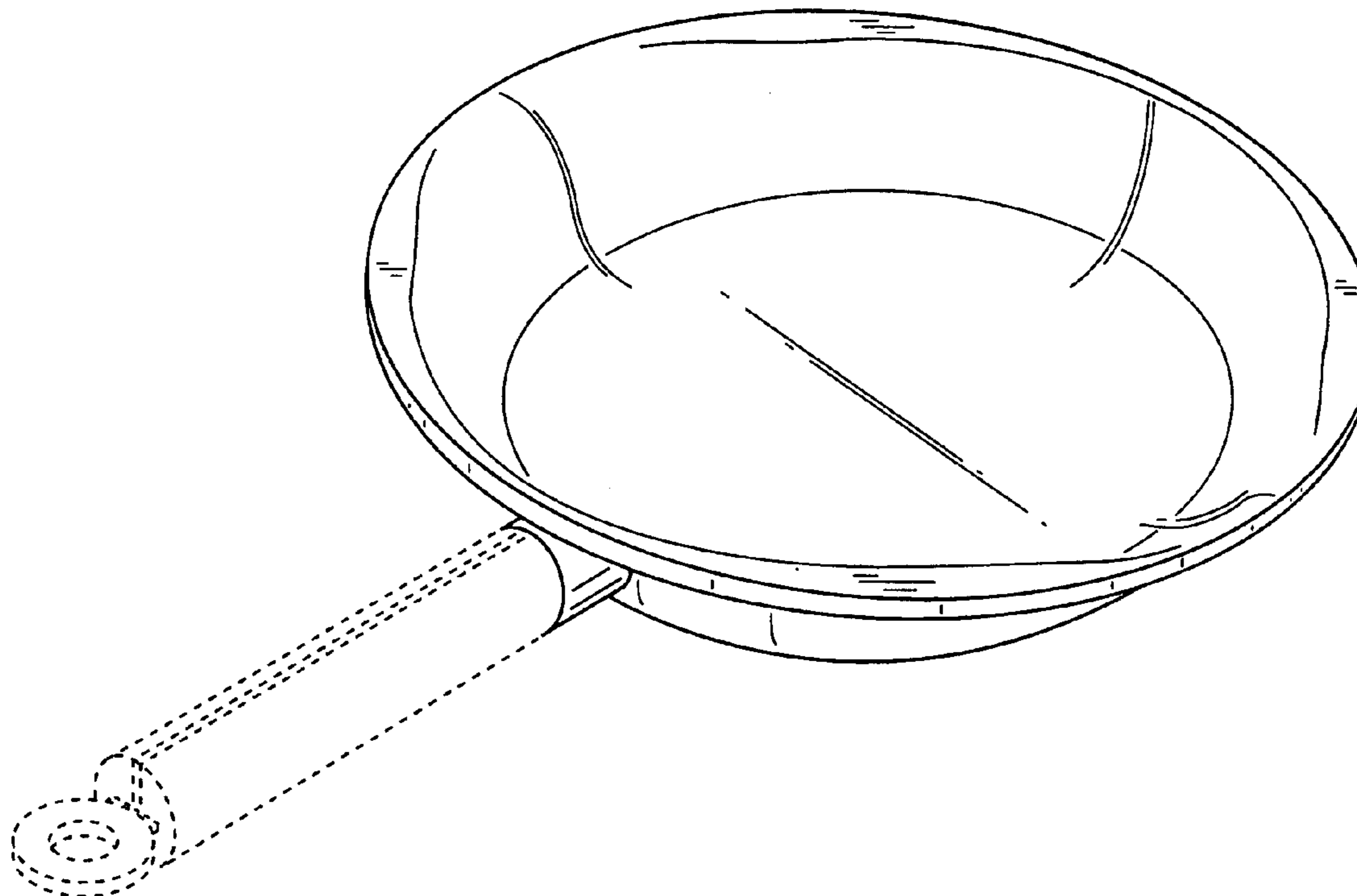
FIG. 3 is a Left View of the frying pan

FIG. 4 is a Right View of the frying pan

FIG. 5 is a Top view of the frying pan; and,

FIG. 6 is a Bottom view of the frying pan.

1 Claim, 5 Drawing Sheets



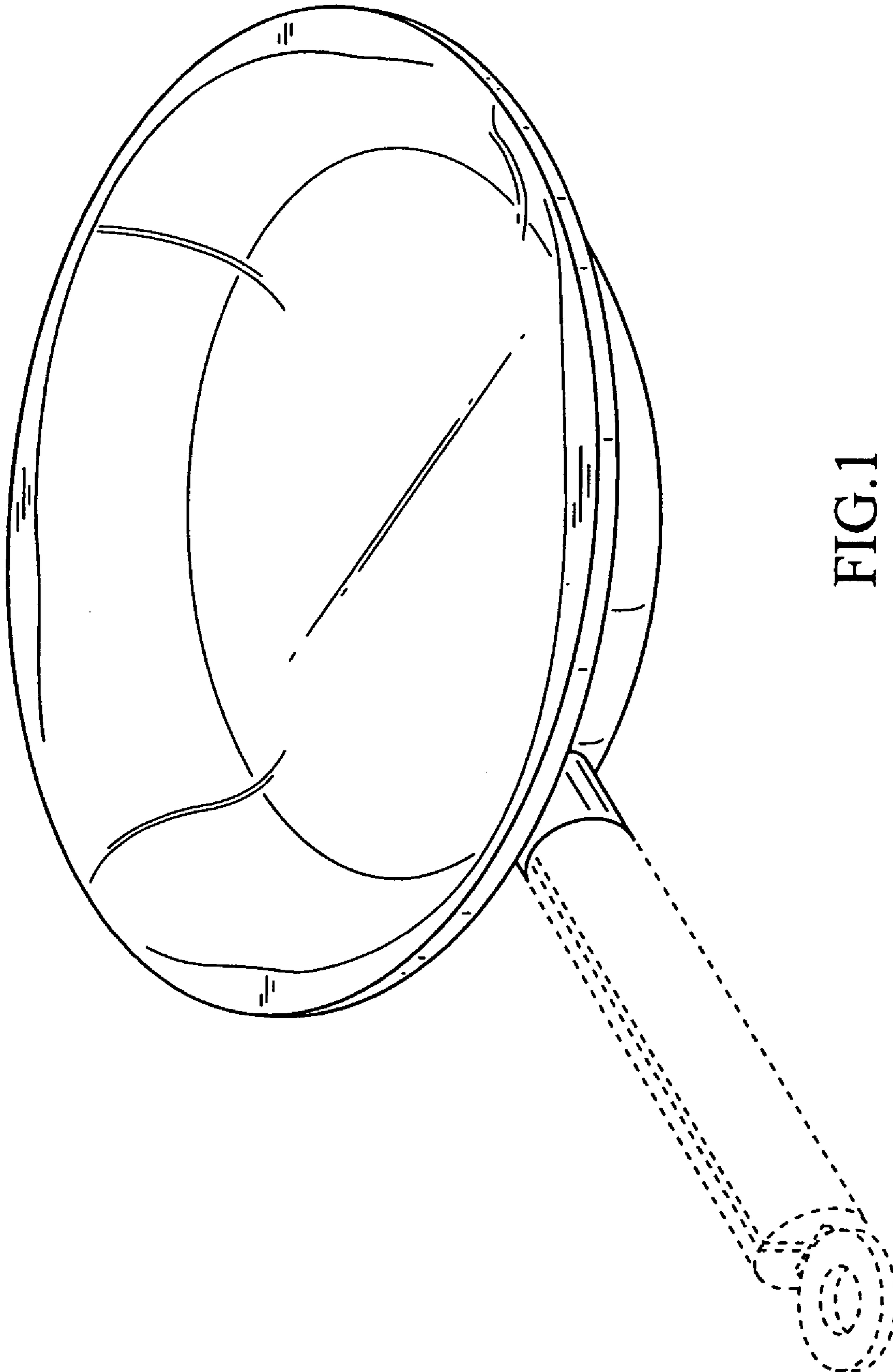


FIG. 1

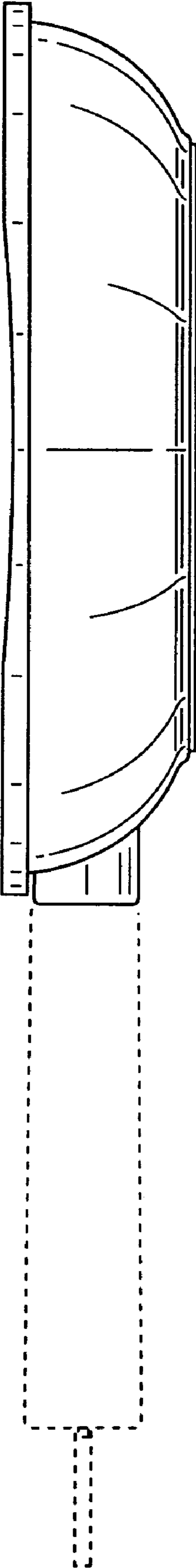


FIG.2

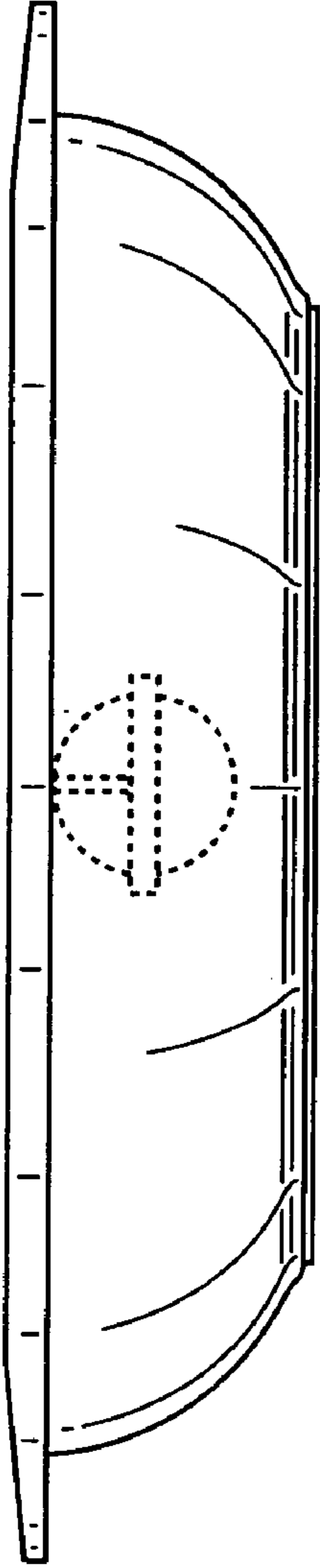


FIG. 3

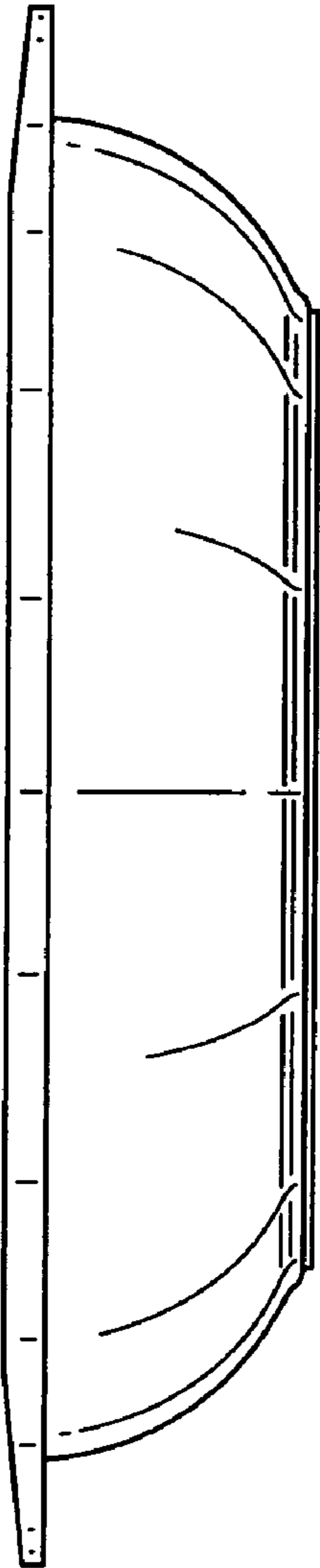


FIG. 4

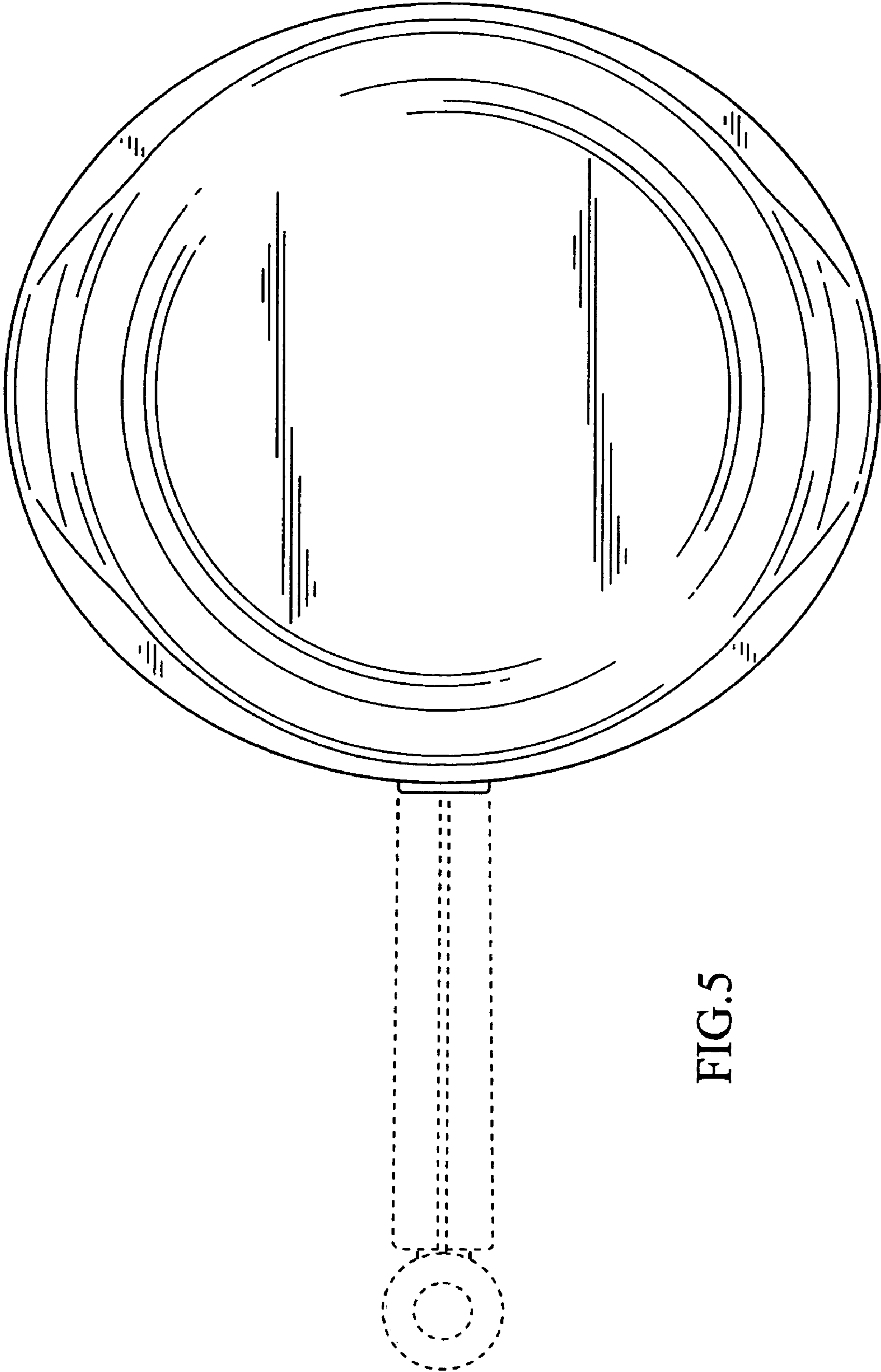


FIG. 5

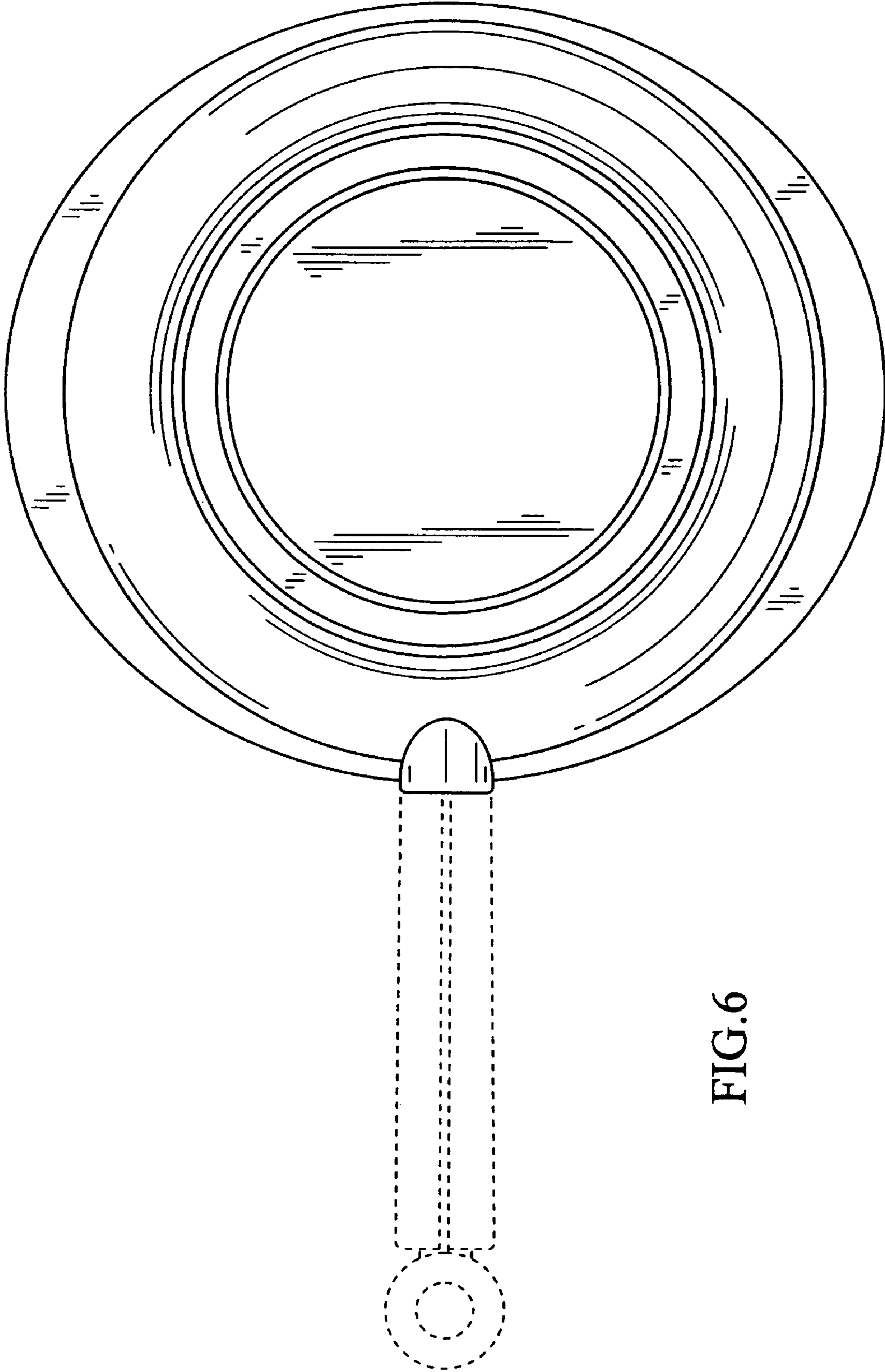


FIG. 6