

US00D544293S

(12) **United States Design Patent**
Chan

(10) **Patent No.: US D544,293 S**

(45) **Date of Patent: ** Jun. 12, 2007**

(54) **MULTI-COOKER**

(75) Inventor: **Man-Yan Chan**, Kowloon (CN)

(73) Assignee: **C. Art Limited**, Kowloon, Hong Kong (CN)

(**) Term: **14 Years**

(21) Appl. No.: **29/265,407**

(22) Filed: **Aug. 29, 2006**

(51) **LOC (8) Cl. 07-02**

(52) **U.S. Cl. D7/354**

(58) **Field of Classification Search** D7/323,
D7/337, 354, 356-362, 365; D23/332, 360,
D23/362; D24/217; D28/38, 73; 99/323.8,
99/332, 339, 355, 341, 357, 395, 410, 417,
99/422, 473; 126/19 R, 20, 275 R, 275 E,
126/369, 377; 132/212, 227-229, 233, 272;
219/222, 226, 241, 242, 385, 386, 506, 620-622;
220/573.1-574; D32/1; 392/309; 422/297,
422/298, 300-303; D3/271.9, 273, 284;
D6/534, 631

See application file for complete search history.

(56) **References Cited**

U.S. PATENT DOCUMENTS

- 1,762,014 A * 6/1930 Fischer 392/309
- 2,467,337 A * 4/1949 Schnell 422/302
- 3,428,380 A * 2/1969 Danjczek 312/31
- 3,774,523 A * 11/1973 Moot 99/323.8
- D304,262 S * 10/1989 Mays D3/271.9
- D319,363 S * 8/1991 Uemura et al. D6/534
- D335,423 S * 5/1993 Naft et al. D7/360
- D347,352 S * 5/1994 Myers et al. D7/354
- 5,404,803 A * 4/1995 Glucksman 99/473
- D362,922 S * 10/1995 Prince et al. D28/38
- D363,140 S * 10/1995 Accumanno et al. D28/38

- D363,635 S * 10/1995 Cashin et al. D7/354
- D365,882 S * 1/1996 Allegre D24/217
- D370,592 S * 6/1996 Ting D7/354
- D380,341 S * 7/1997 Naft et al. D7/354
- D381,553 S * 7/1997 Candianides D7/356
- D396,749 S * 8/1998 Ortiz D2/284
- D411,349 S * 6/1999 Johnstone D3/273
- D442,816 S * 5/2001 Chen D6/631
- D443,466 S * 6/2001 Wanat et al. D7/360
- D447,600 S * 9/2001 Micinilio D28/38
- D454,982 S * 3/2002 Renfrew D28/73
- D463,076 S * 9/2002 Nottingham et al. D32/1
- D488,951 S * 4/2004 Josancy D7/356
- D517,857 S * 3/2006 Poon D7/356
- 2005/0184048 A1 * 8/2005 DeCobert et al. 219/506

FOREIGN PATENT DOCUMENTS

WO WO 2004093620 A1 * 11/2004

* cited by examiner

Primary Examiner—Cathron C. Brooks

Assistant Examiner—Ricky Pham

(74) *Attorney, Agent, or Firm*—Alix, Yale & Ristas, LLP

(57) **CLAIM**

The ornamental design for a multi-cooker, as shown.

DESCRIPTION

FIG. 1 is a front view of a multi-cooker showing my new design;

FIG. 2 is a top plan view thereof;

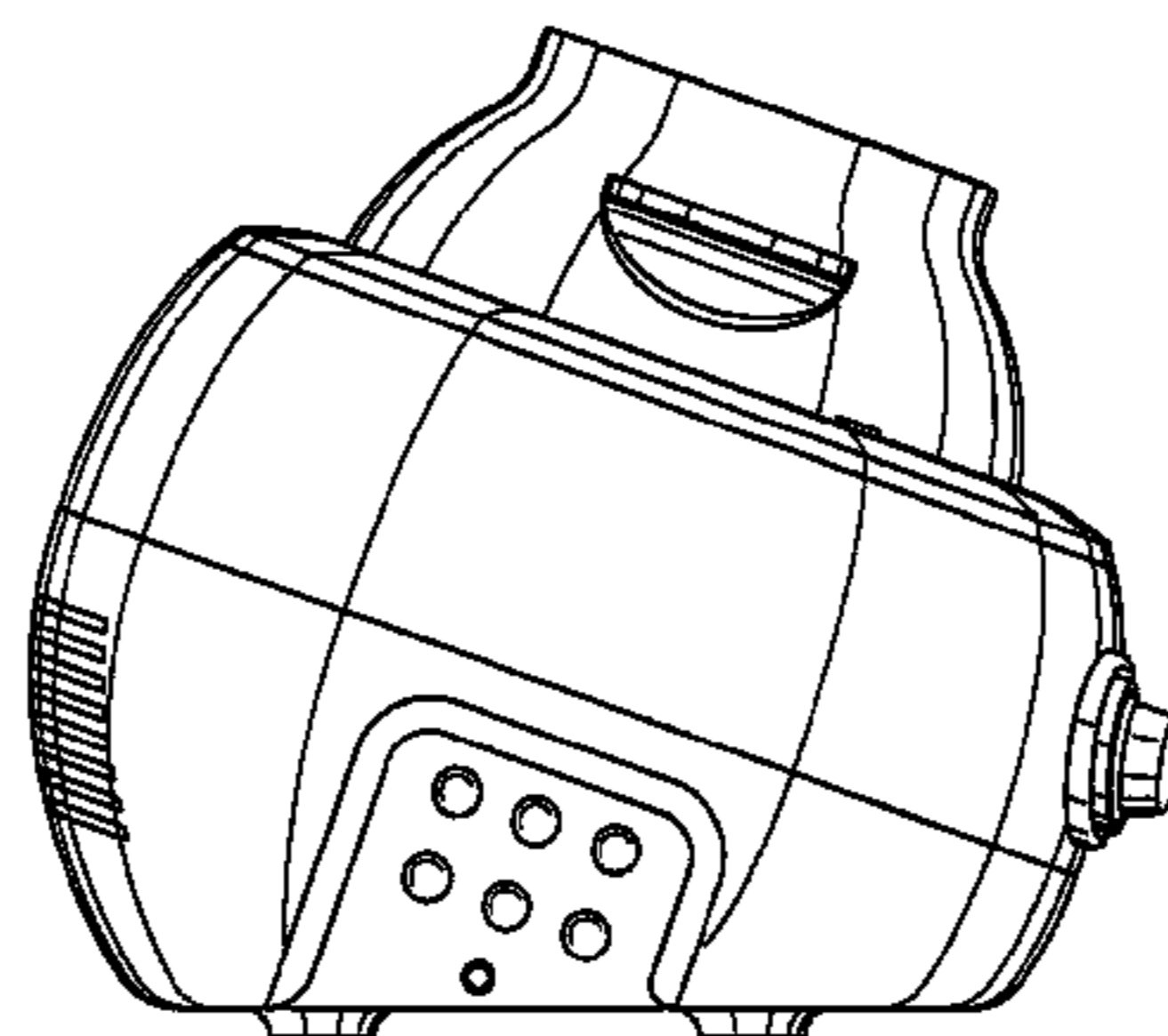
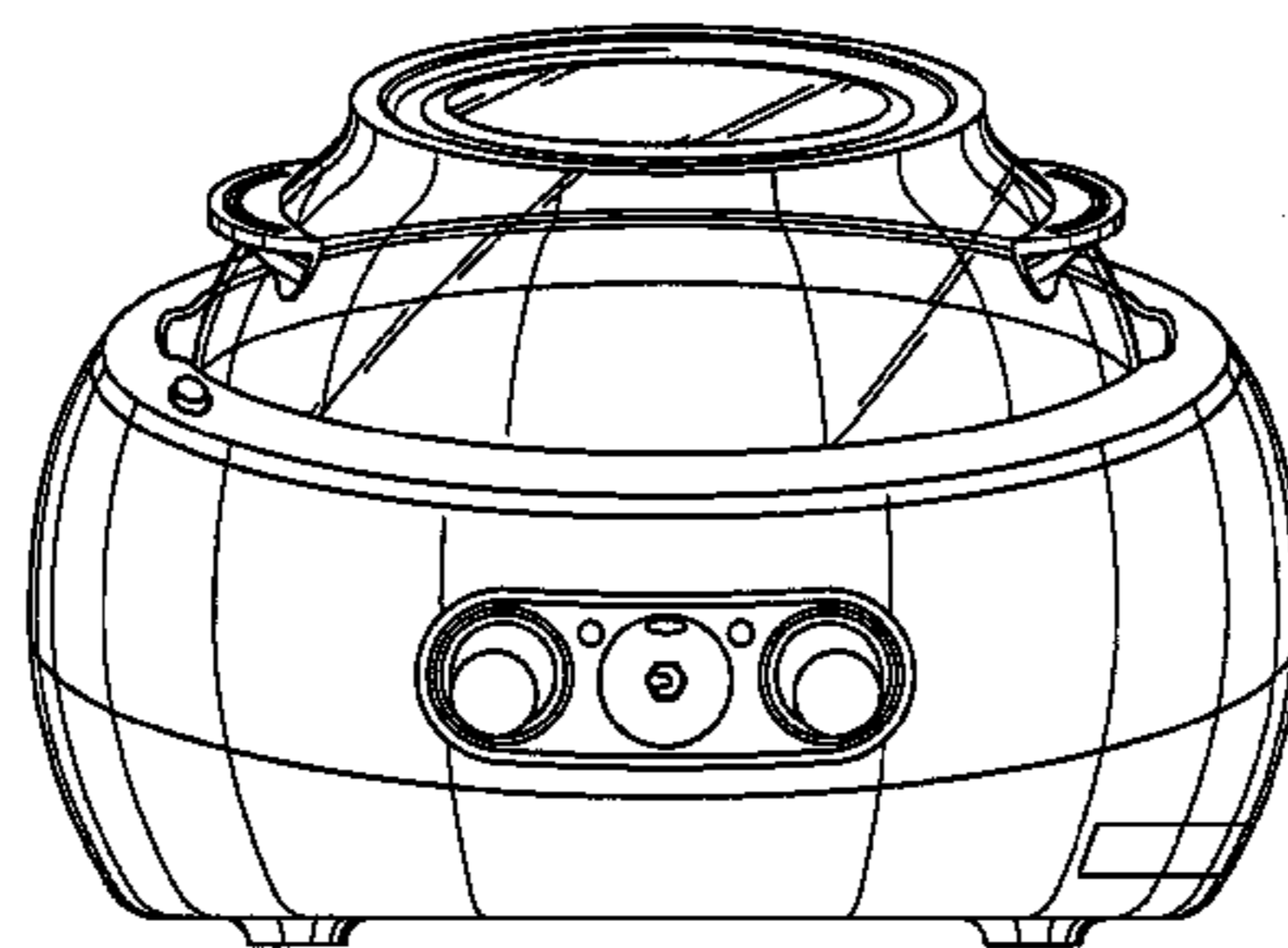
FIG. 3 is a left side elevational view thereof;

FIG. 4 is a right side elevational view thereof;

FIG. 5 is a rear view thereof; and,

FIG. 6 is a bottom plan view thereof.

1 Claim, 3 Drawing Sheets



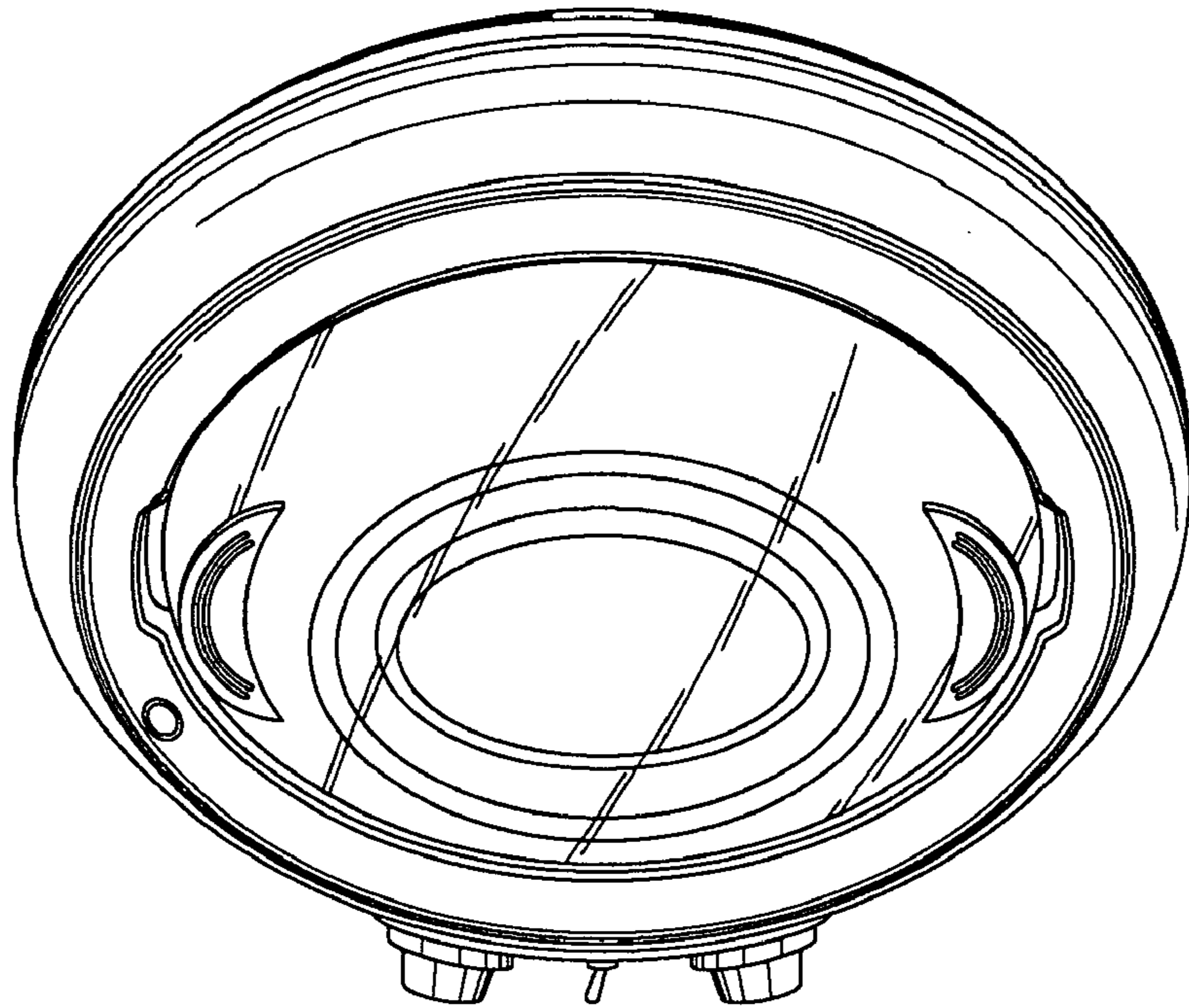


FIG. 2

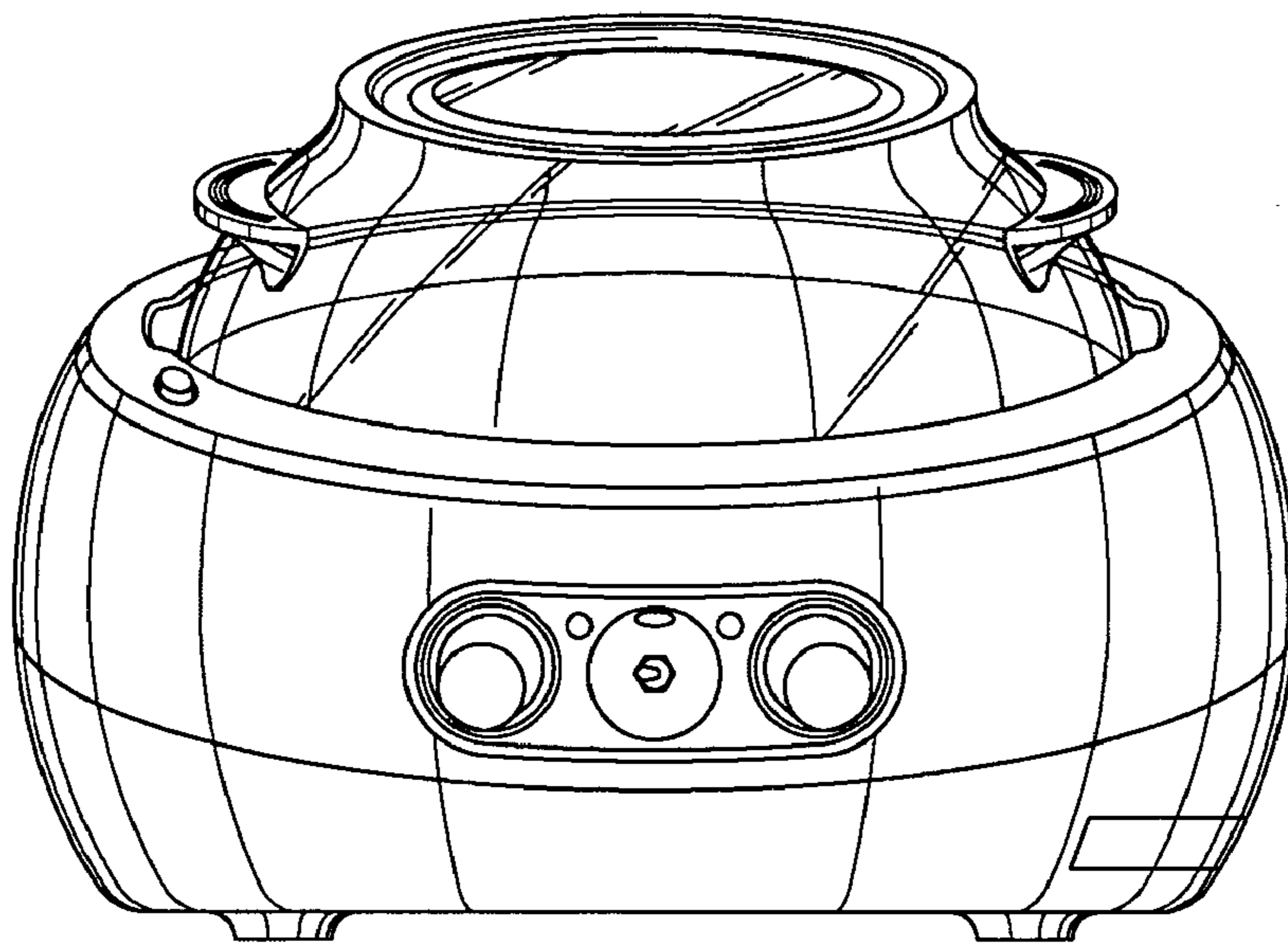


FIG. 1

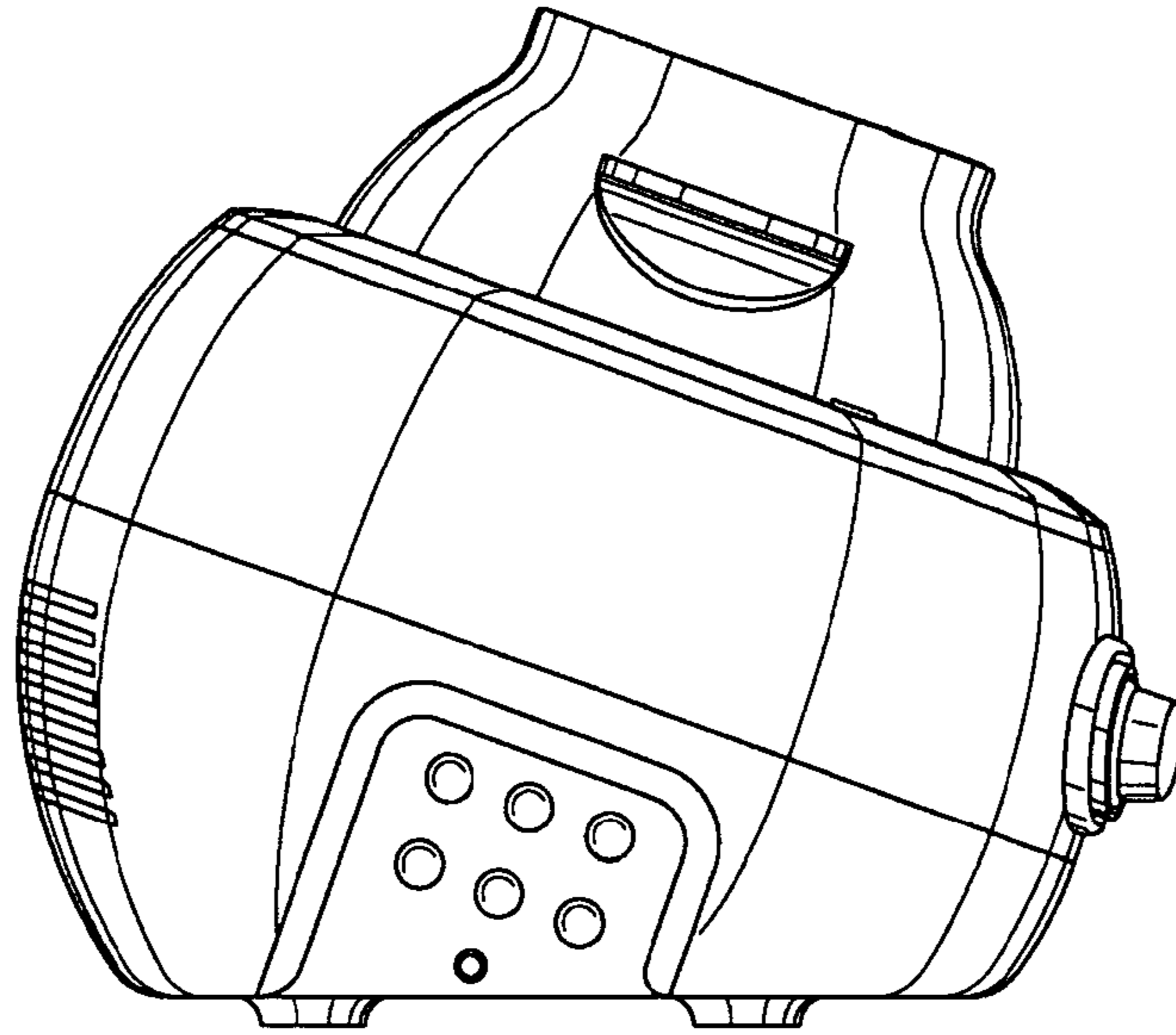


FIG. 3

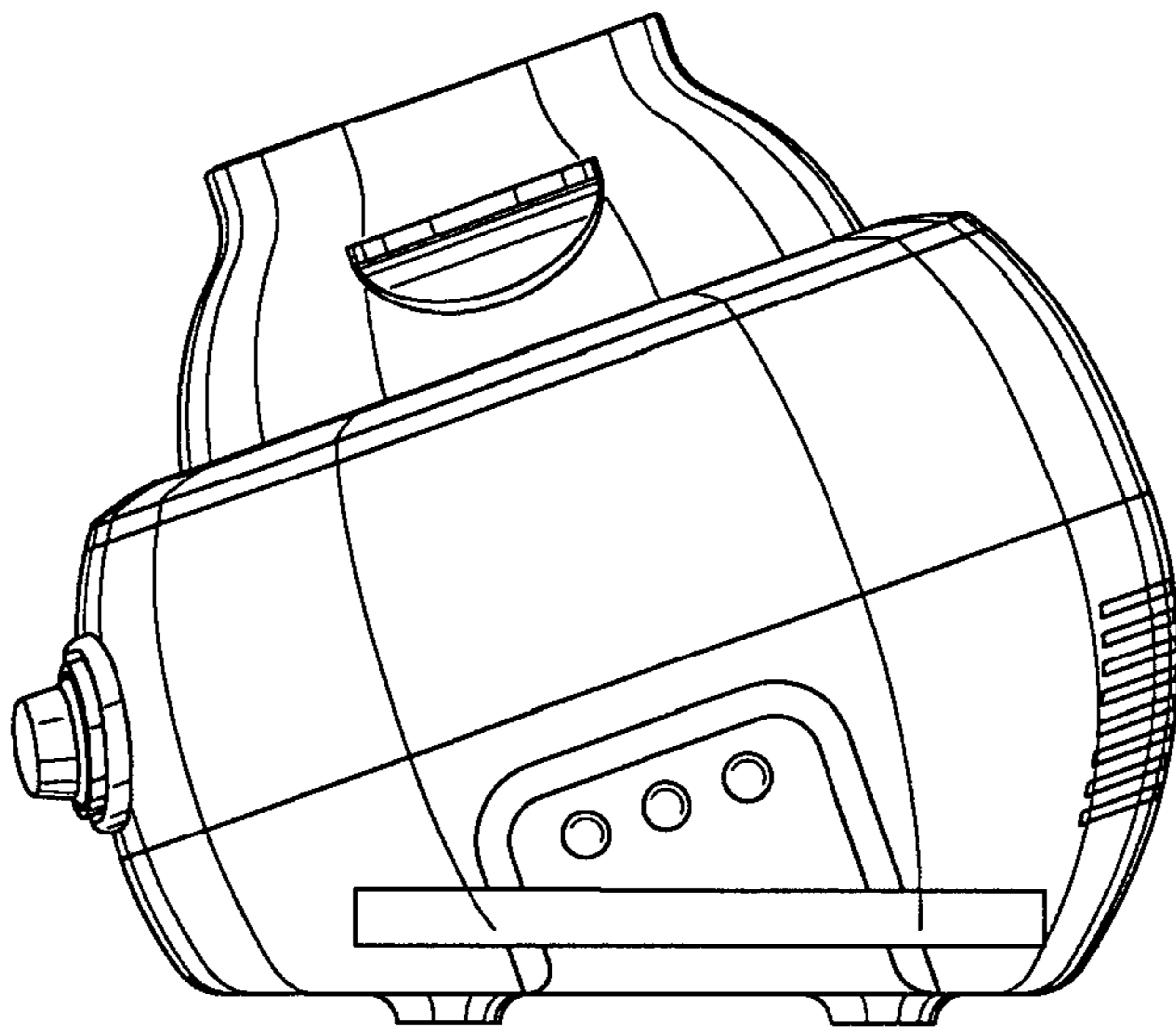


FIG. 4

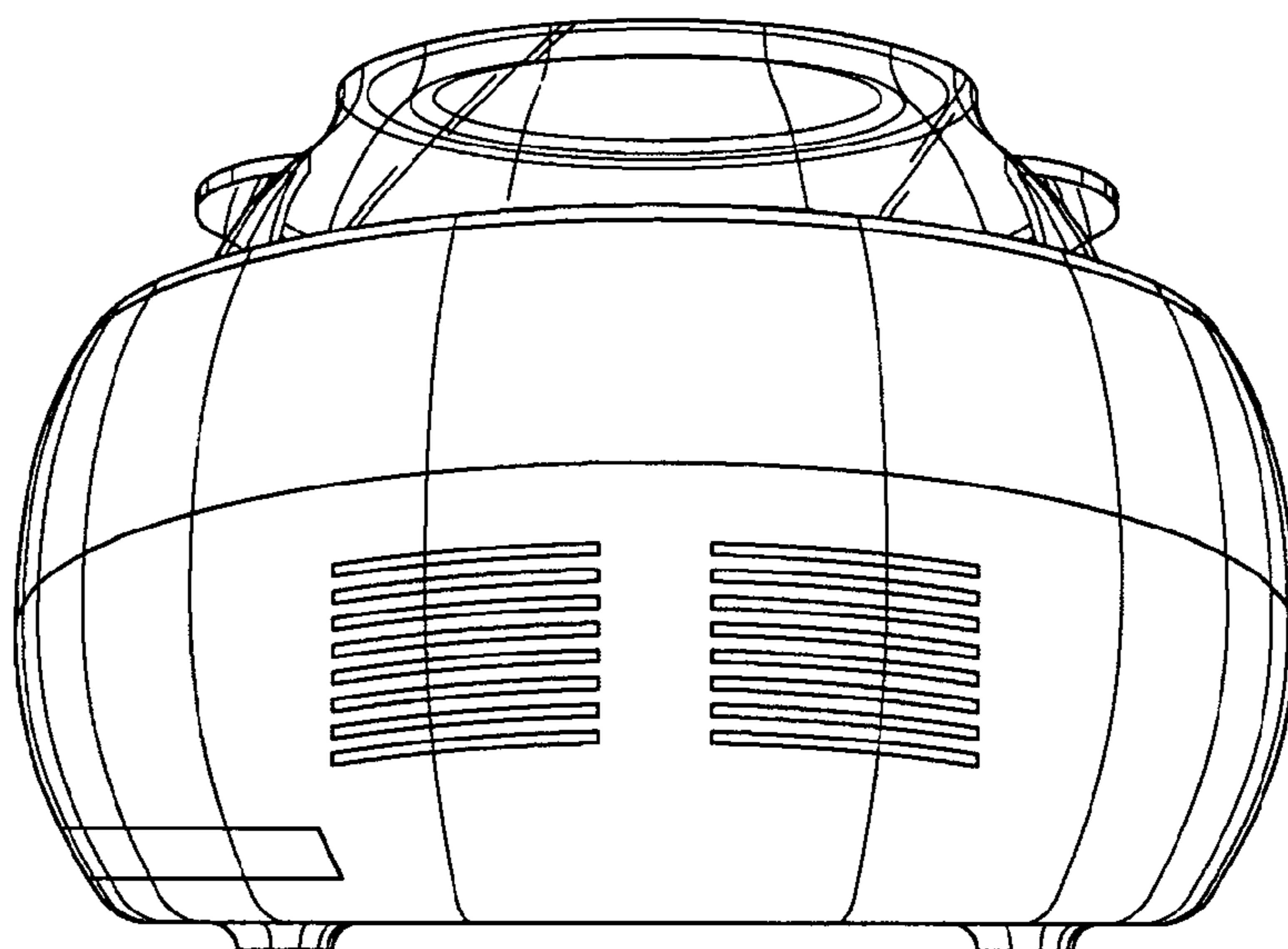


FIG. 5

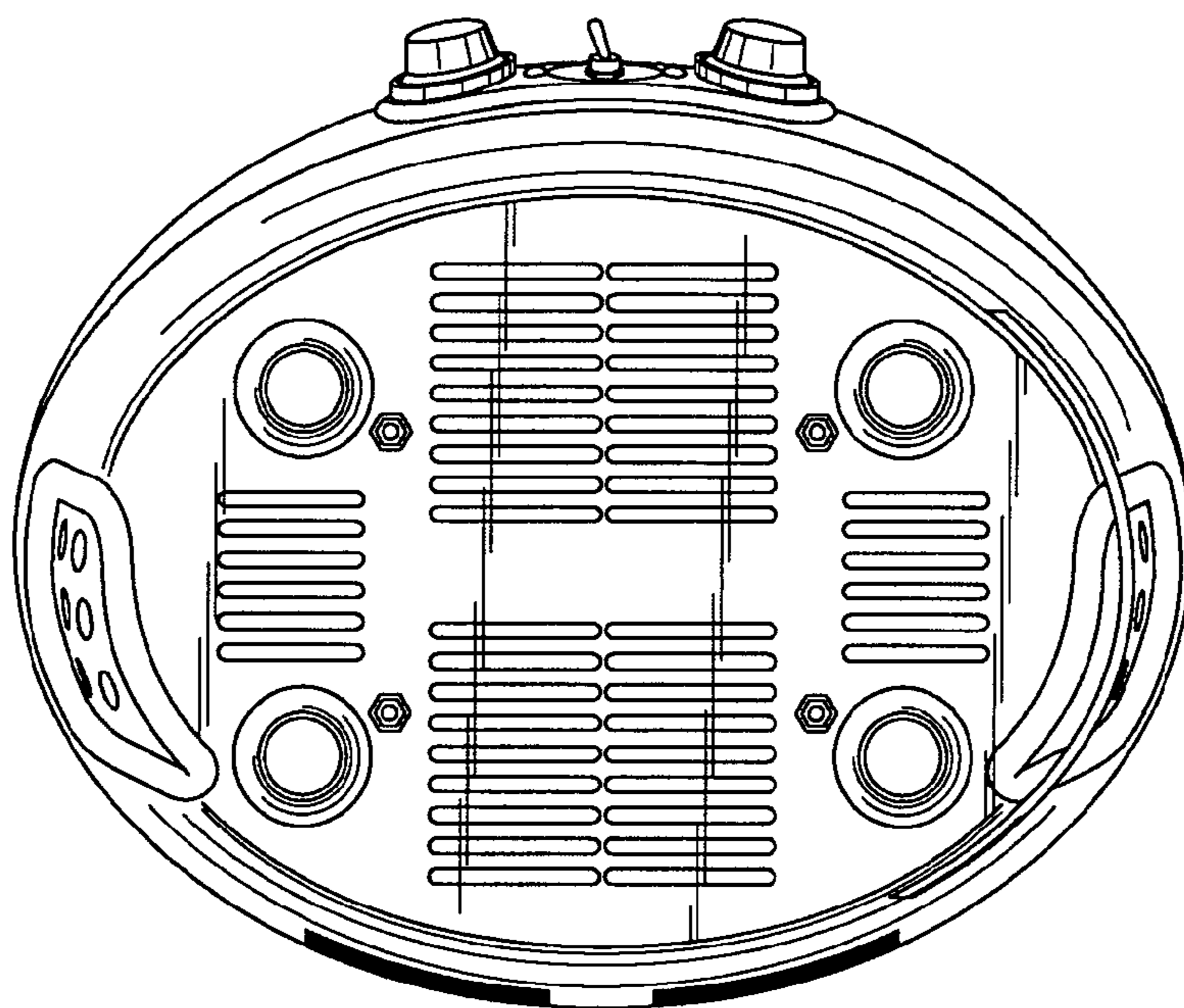


FIG. 6