

US00D544291S

(12) **United States Design Patent**
Kong

(10) **Patent No.:** **US D544,291 S**

(45) **Date of Patent:** **** Jun. 12, 2007**

(54) **PORTABLE GAS RANGE**

(76) Inventor: **Jae Cheol Kong**, 2-1 Yongjin-ri,
Boksoo-myun, Kumsan-gun,
Chungchongnam-do (KR)

(**) Term: **14 Years**

(21) Appl. No.: **29/252,667**

(22) Filed: **Jan. 25, 2006**

(30) **Foreign Application Priority Data**

Jul. 27, 2005 (KR) 30-2005-0025255

(51) **LOC (8) Cl.** **07-02**

(52) **U.S. Cl.** **D7/337; D7/362**

(58) **Field of Classification Search** D7/332,
D7/337, 402, 403, 362-367, 305, 388, 326;
126/25 R, 9 R, 41 R, 38, 40, 44, 50; 431/206
See application file for complete search history.

(56) **References Cited**

U.S. PATENT DOCUMENTS

- D244,664 S * 6/1977 Monnet D7/337
- D246,151 S * 10/1977 Chan D7/337
- D252,971 S * 9/1979 Ito D7/337
- D305,290 S * 1/1990 Springer D7/367
- D336,008 S * 6/1993 Kamata D7/362

- D350,256 S * 9/1994 Wang D7/367
- D369,509 S * 5/1996 Kaga et al. D7/362
- 6,089,218 A * 7/2000 Mifune et al. 126/38
- D502,840 S * 3/2005 Schulte et al. D7/337

FOREIGN PATENT DOCUMENTS

KR 30-2001-0010943 7/2002

* cited by examiner

Primary Examiner—Ruth McInroy

(74) *Attorney, Agent, or Firm*—Michael Best & Friedrich,
LLP

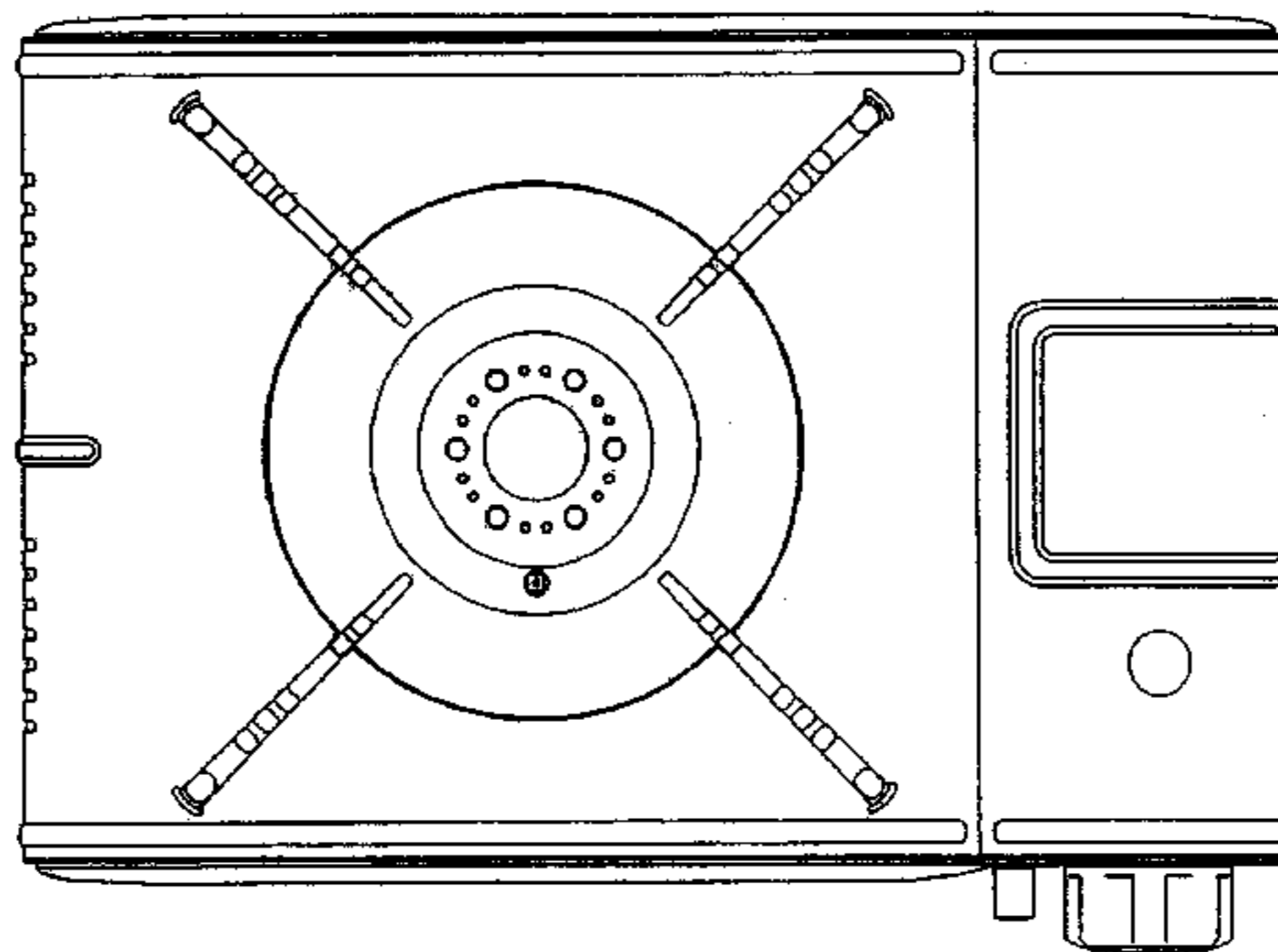
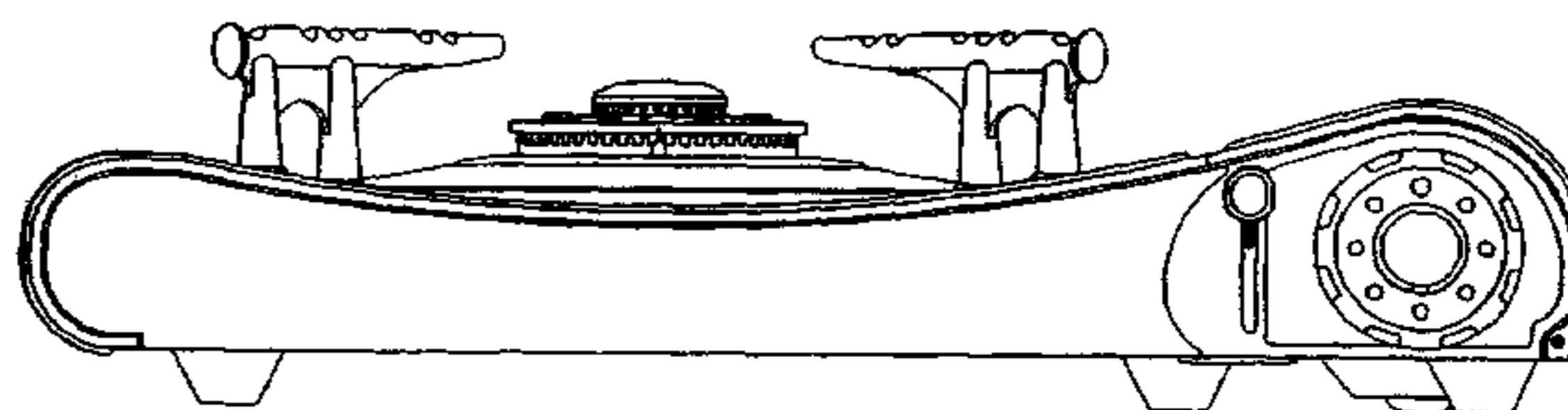
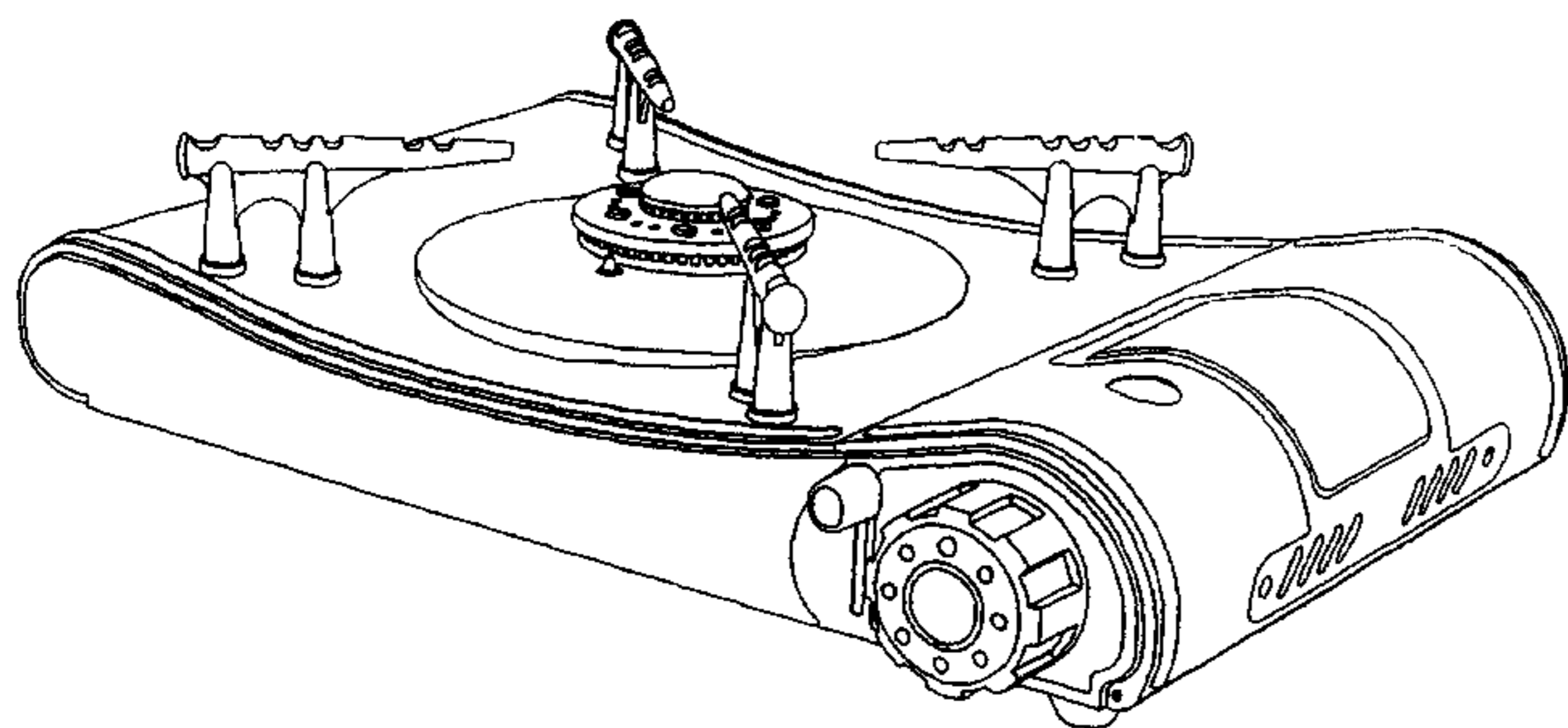
(57) **CLAIM**

The ornamental design for a portable gas range, as shown and described.

DESCRIPTION

FIG. 1 is a perspective view of a portable gas range showing my new design;
FIG. 2 is a front view thereof;
FIG. 3 is a rear view thereof;
FIG. 4 is a left side view thereof;
FIG. 5 is a right side view thereof;
FIG. 6 is a top view thereof; and,
FIG. 7 is a bottom view thereof.

1 Claim, 3 Drawing Sheets



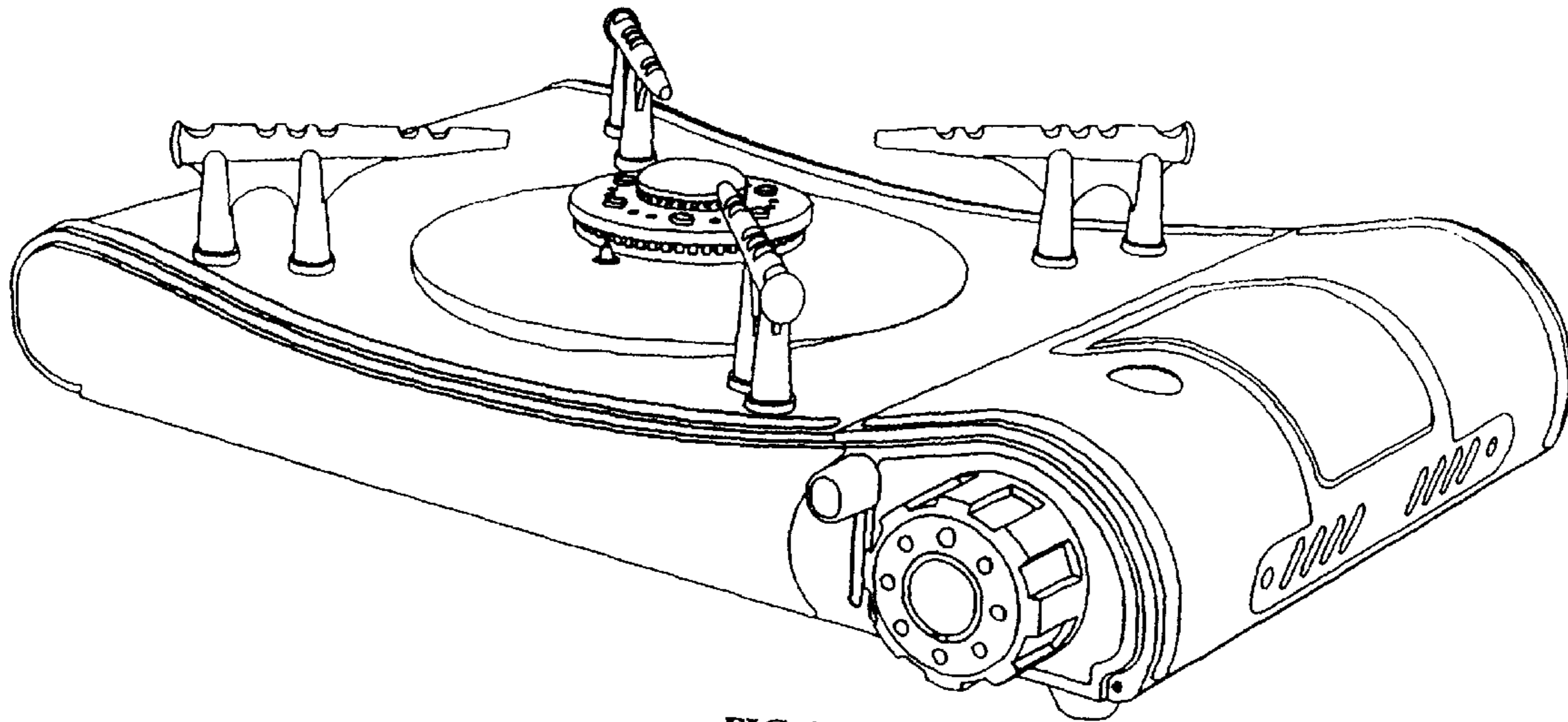


FIG. 1

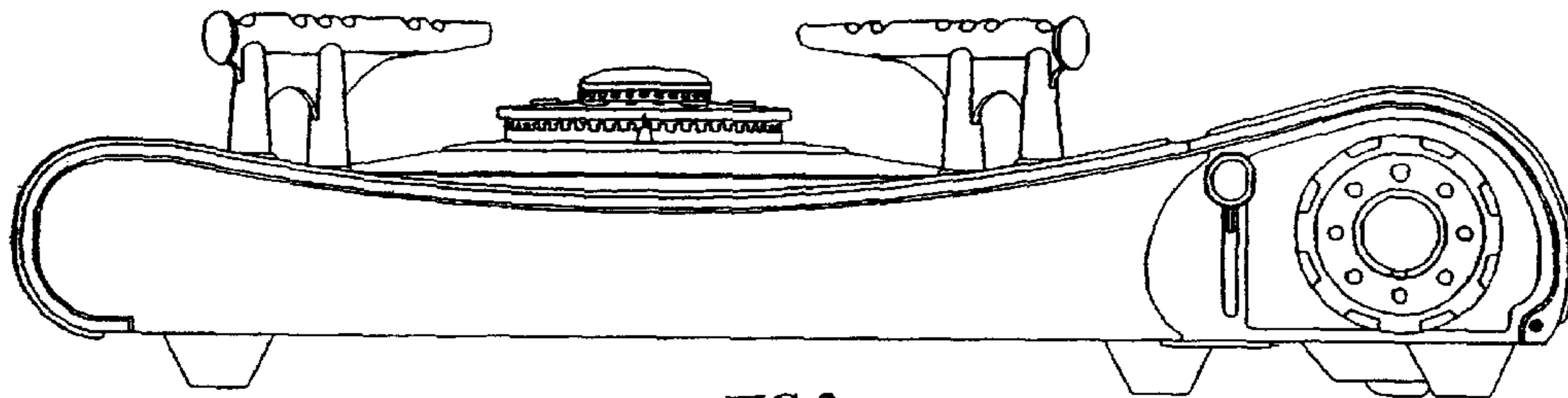


FIG. 2

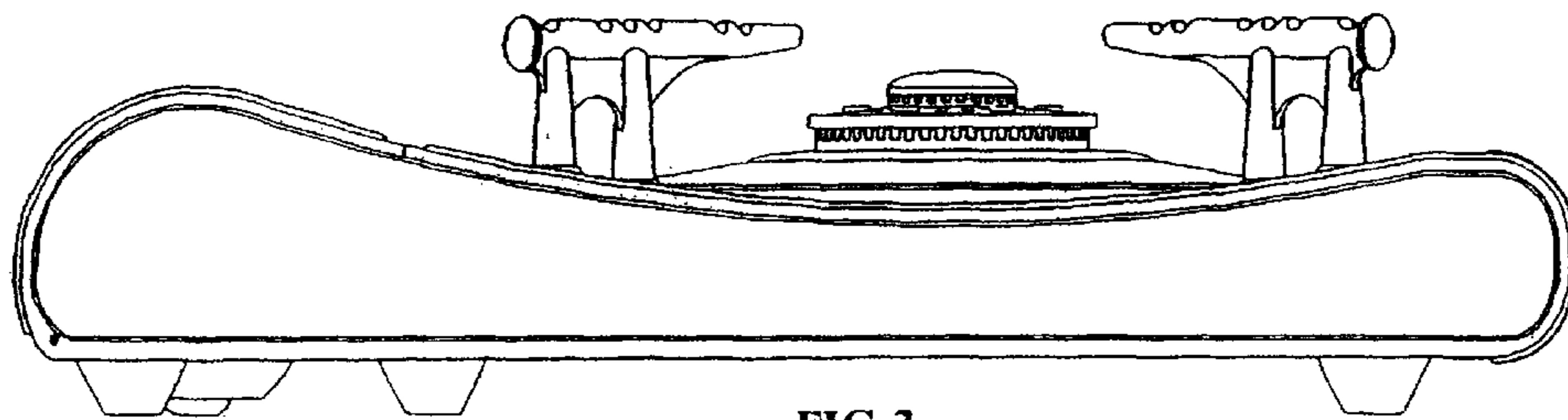


FIG. 3

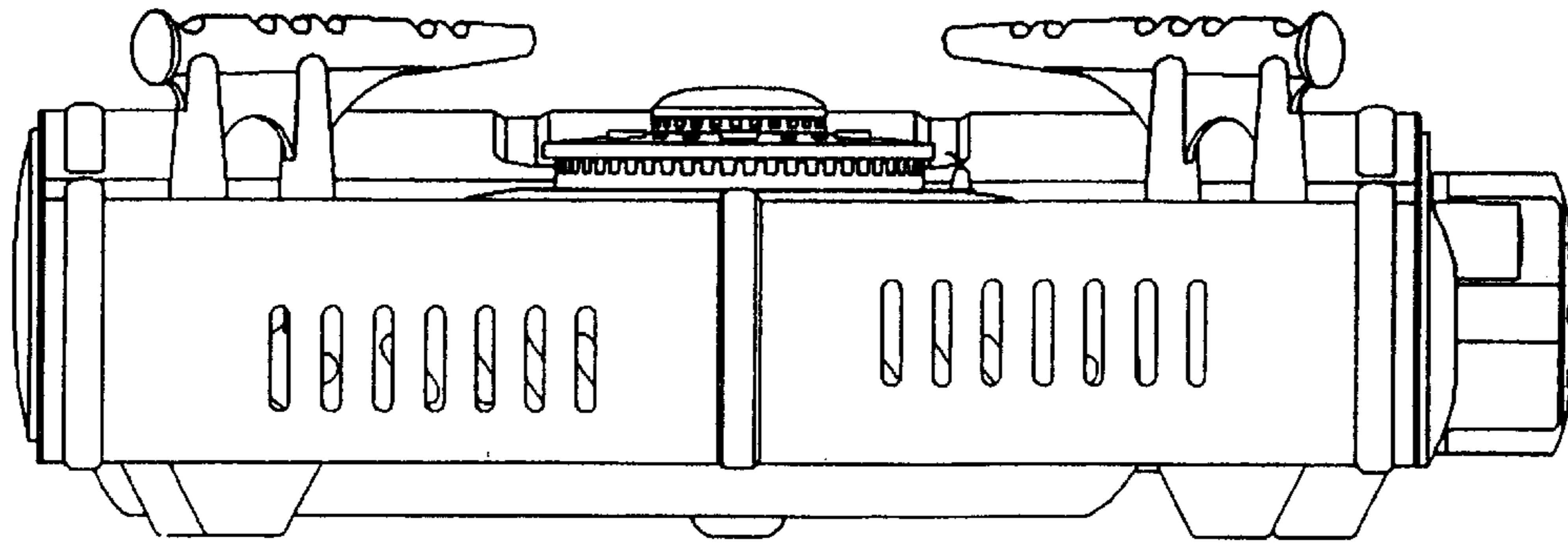


FIG. 4

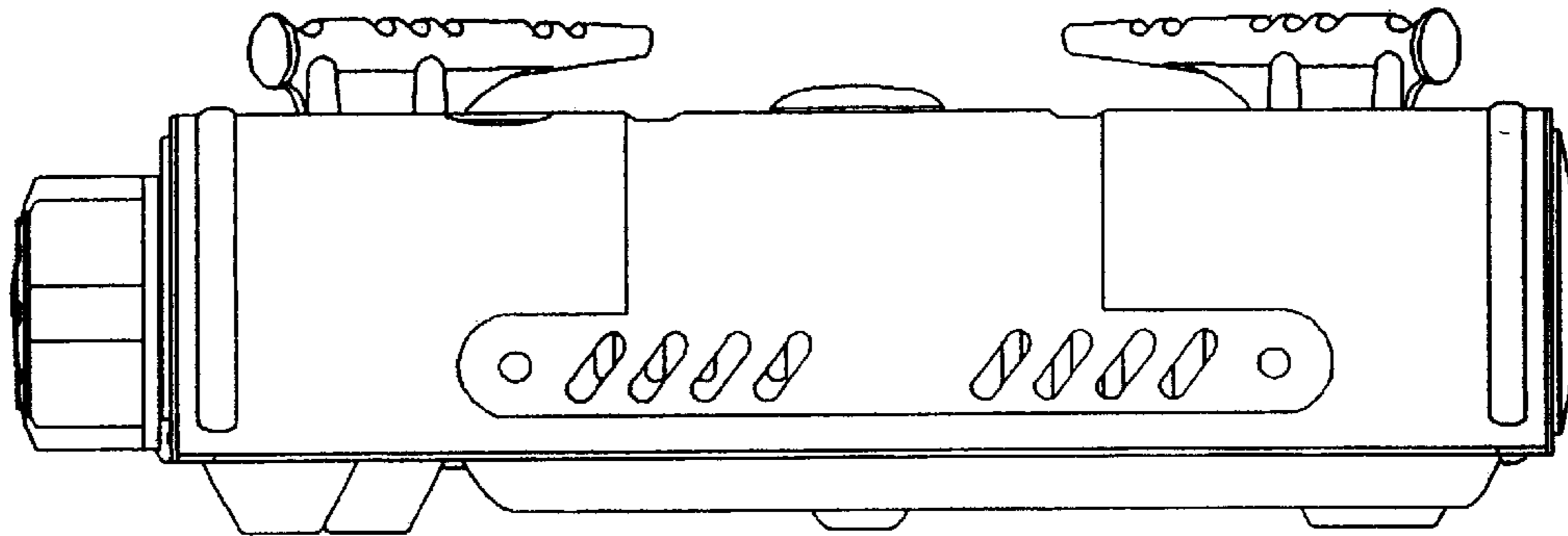


FIG. 5

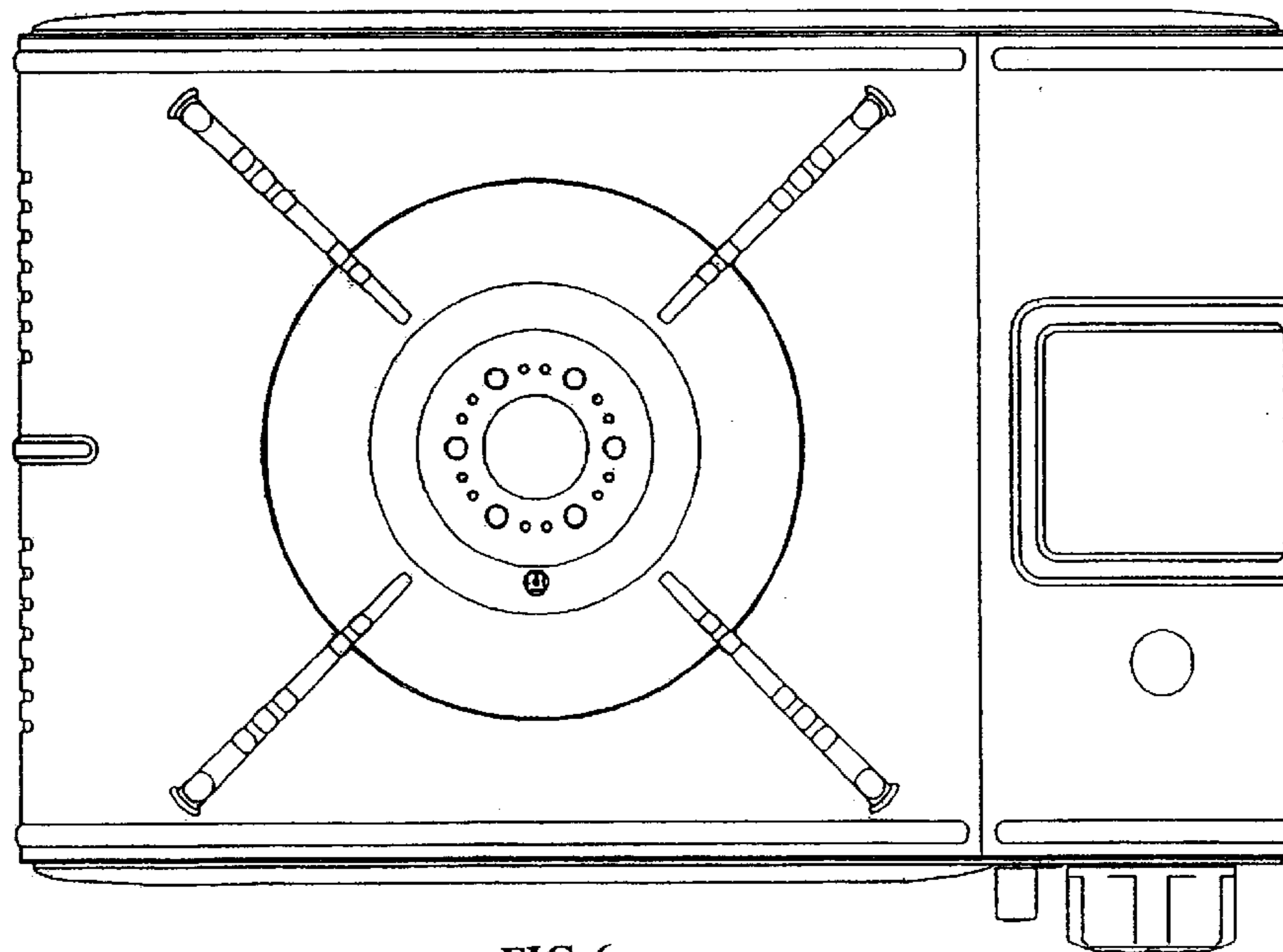


FIG. 6

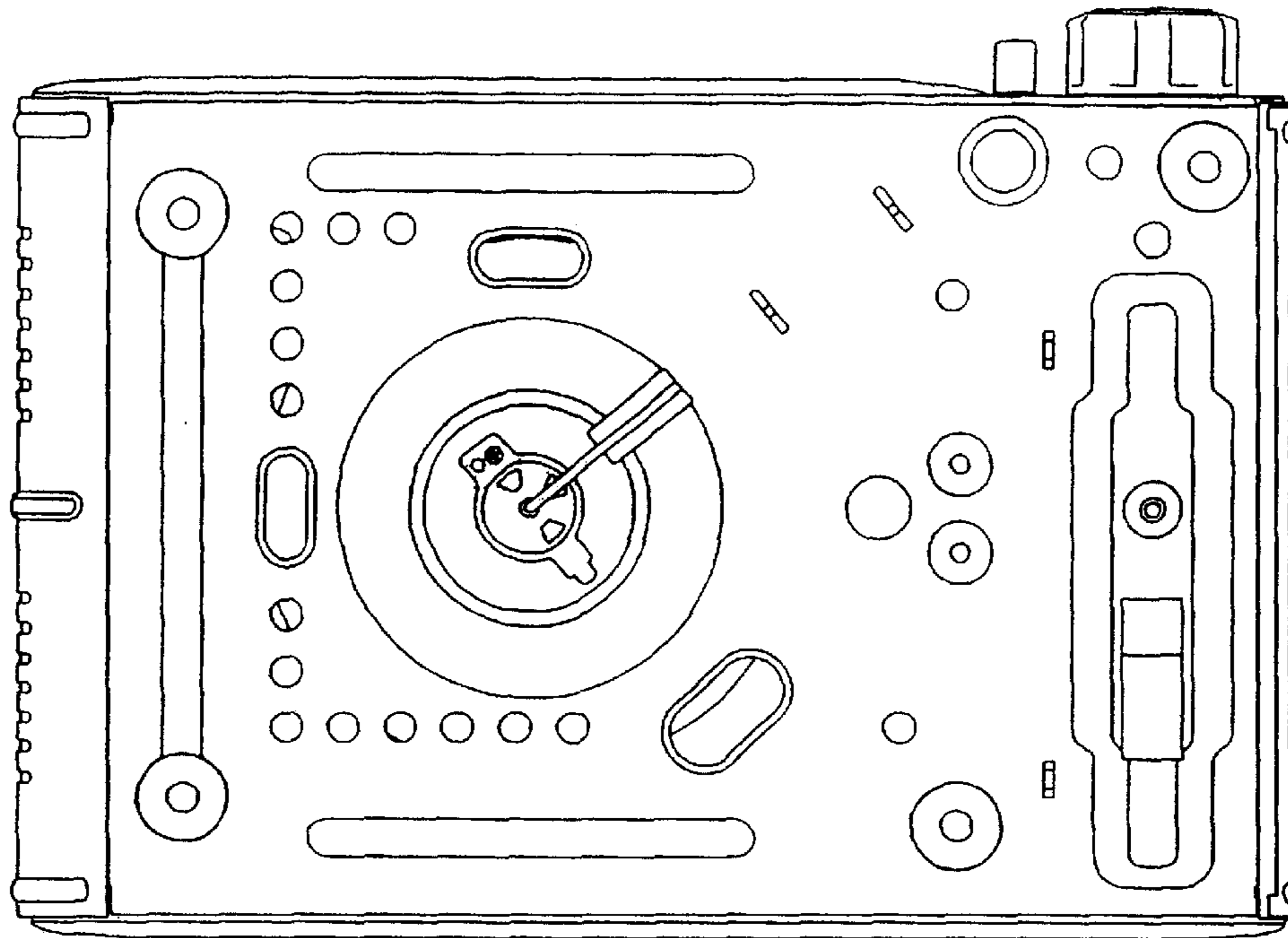


FIG. 7