



US00D544290S

(12) **United States Design Patent**
Pai

(10) **Patent No.:** **US D544,290 S**

(45) **Date of Patent:** **** Jun. 12, 2007**

(54) **BARBECUE GRILL**

(76) Inventor: **Lucas Pai**, 19F.-1, No. 159, Sec. 1,
Chung-Kang Rd., West Dist., Taichung
City (TW)

(**) Term: **14 Years**

(21) Appl. No.: **29/251,435**

(22) Filed: **Jan. 9, 2006**

(51) **LOC (8) Cl.** **07-02**

(52) **U.S. Cl.** **D7/334**

(58) **Field of Classification Search** D7/332-337,
D7/402-405; D23/335-336, 343; 126/500,
126/506, 519, 40, 50, 9 R, 9 B, 25 R, 25 A,
126/304 R, 305, 268, 276, 41 R, 37 R; 99/445,
99/448, 481-482; 248/128-129; 312/249.8,
312/249.13, 351.2; D6/511, 574
See application file for complete search history.

(56) **References Cited**

U.S. PATENT DOCUMENTS

- D460,313 S * 7/2002 Crookshanks et al. D7/334
- D486,033 S * 2/2004 Tseng D7/334
- D490,642 S * 6/2004 Pai D7/334
- D501,753 S * 2/2005 Pai D7/334
- D502,357 S * 3/2005 Pai D7/334

- D528,848 S * 9/2006 Chung D7/334
- D528,849 S * 9/2006 Chung D7/334
- D528,851 S * 9/2006 Chung D7/334
- D529,329 S * 10/2006 Chung D7/334
- D529,330 S * 10/2006 Chung D7/334
- D529,331 S * 10/2006 Chung D7/334

* cited by examiner

Primary Examiner—Ruth McInroy

(74) *Attorney, Agent, or Firm*—Egbert Law Offices

(57) **CLAIM**

I claim the ornamental design for a barbecue grill, as shown and described.

DESCRIPTION

FIG. 1 is an upper perspective view of the barbecue grill showing my design.

FIG. 2 is a front view thereof;

FIG. 3 is a back view thereof;

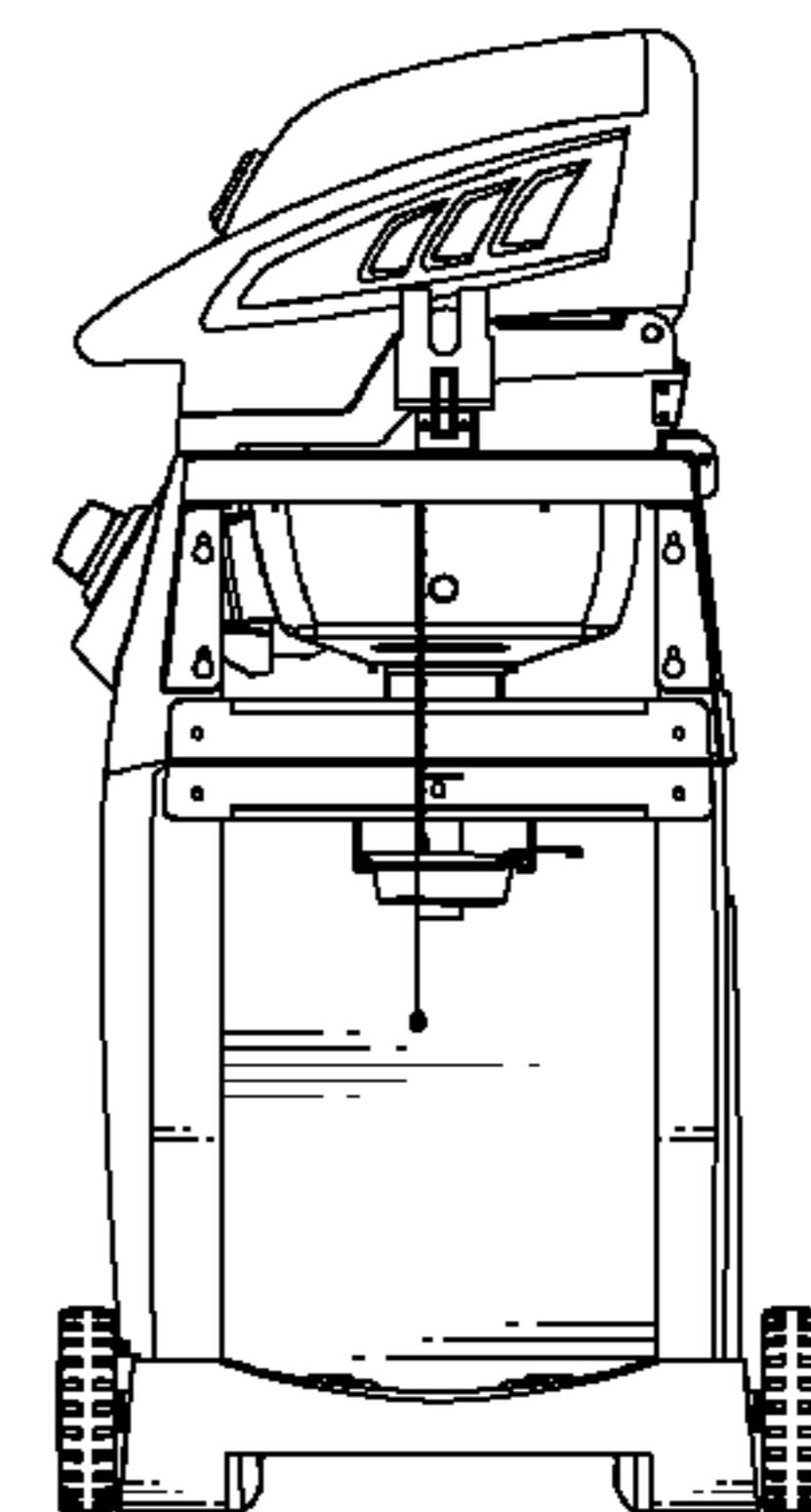
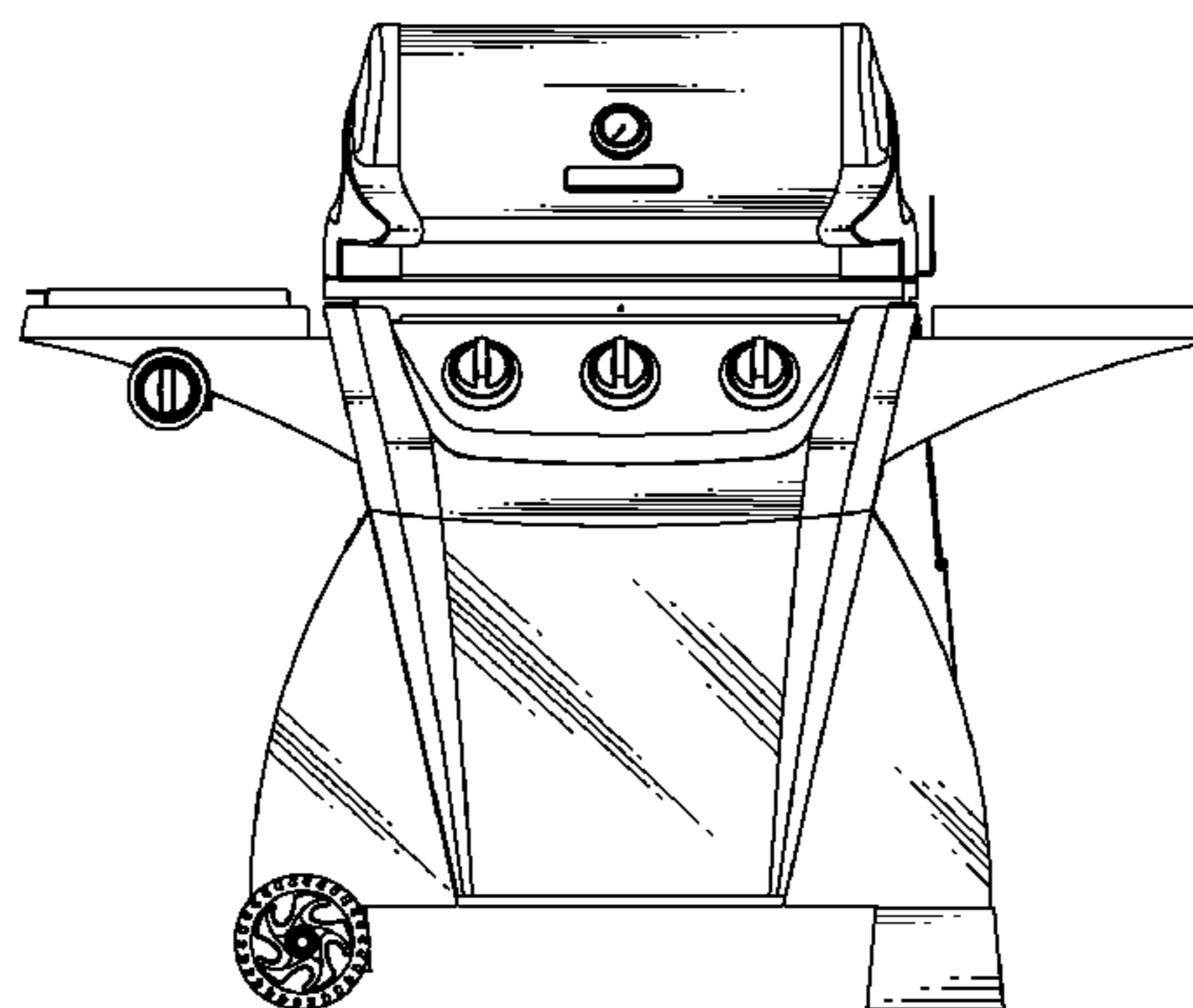
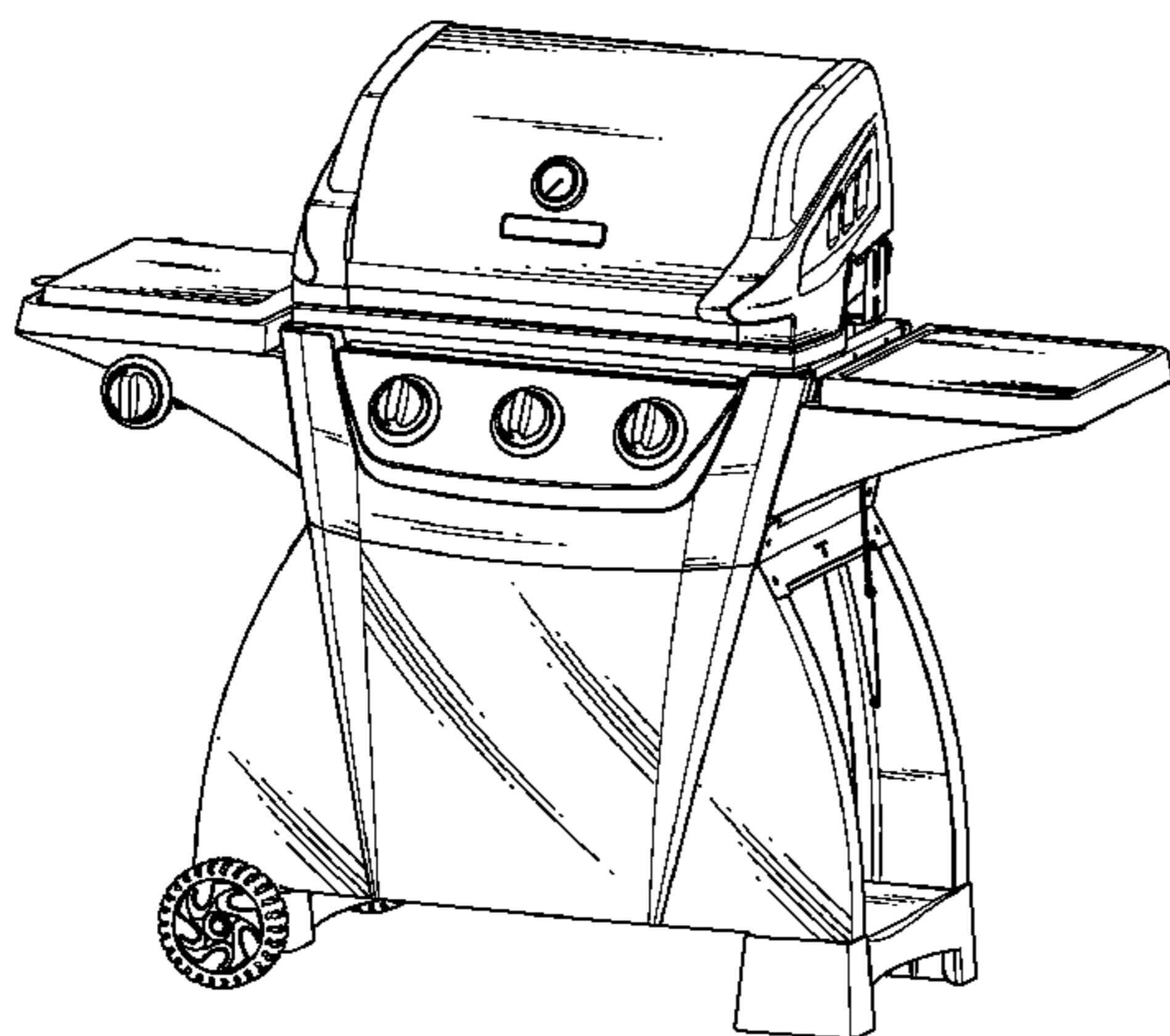
FIG. 4 is a side view thereof;

FIG. 5 is an opposite side view thereof;

FIG. 6 is a bottom view thereof; and,

FIG. 7 is a top plan view thereof.

1 Claim, 4 Drawing Sheets



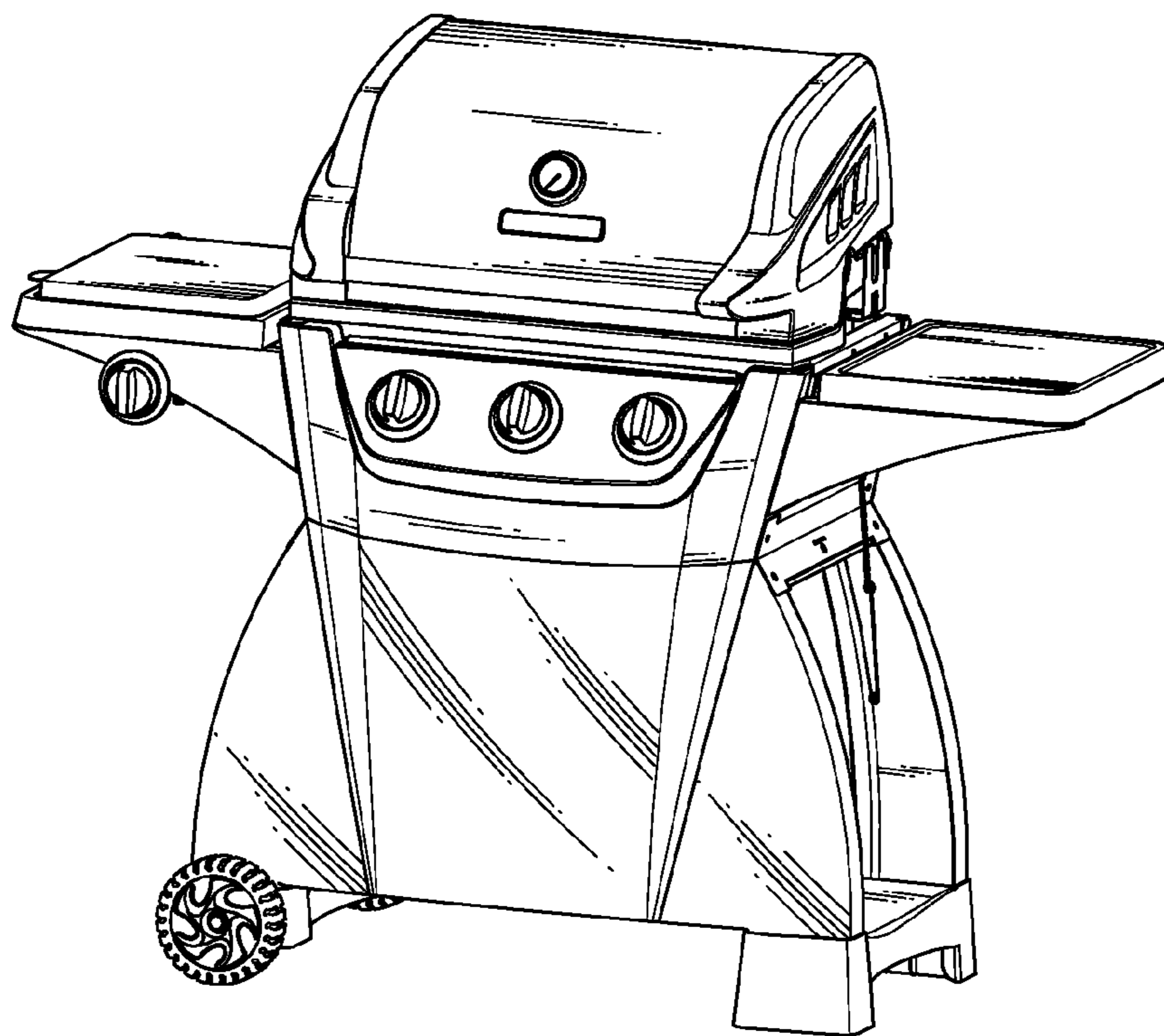


FIG.1

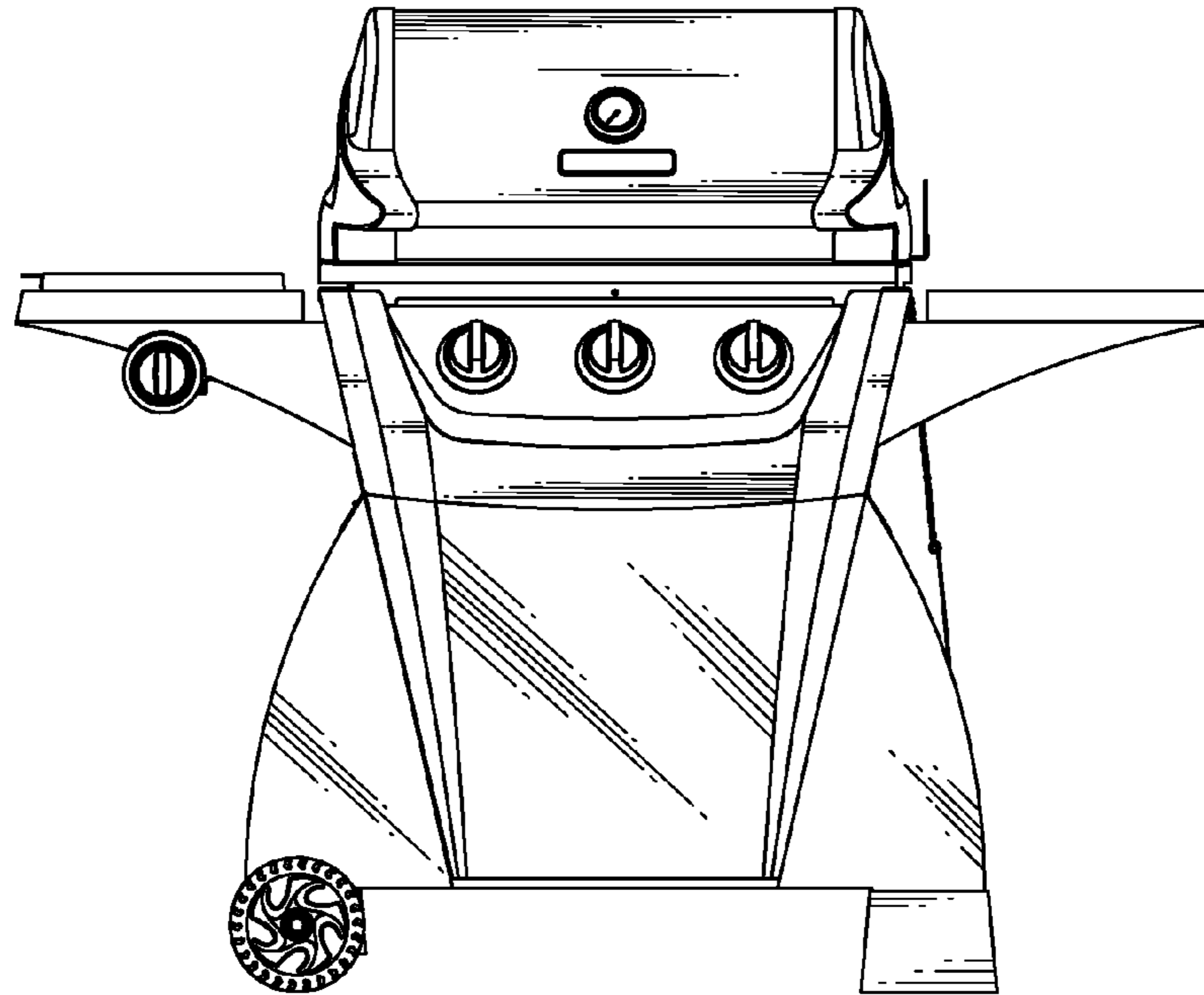


FIG. 2

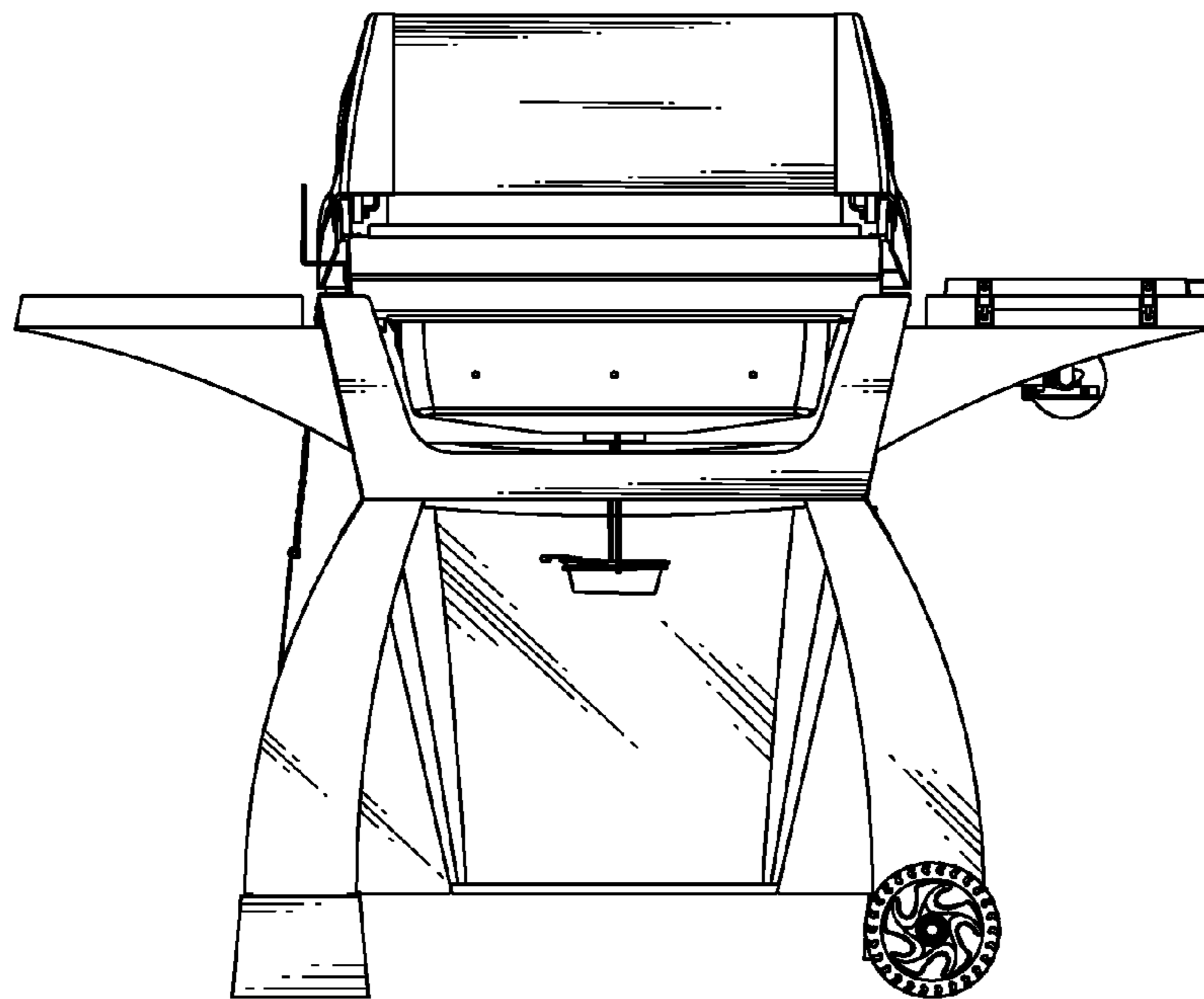


FIG. 3

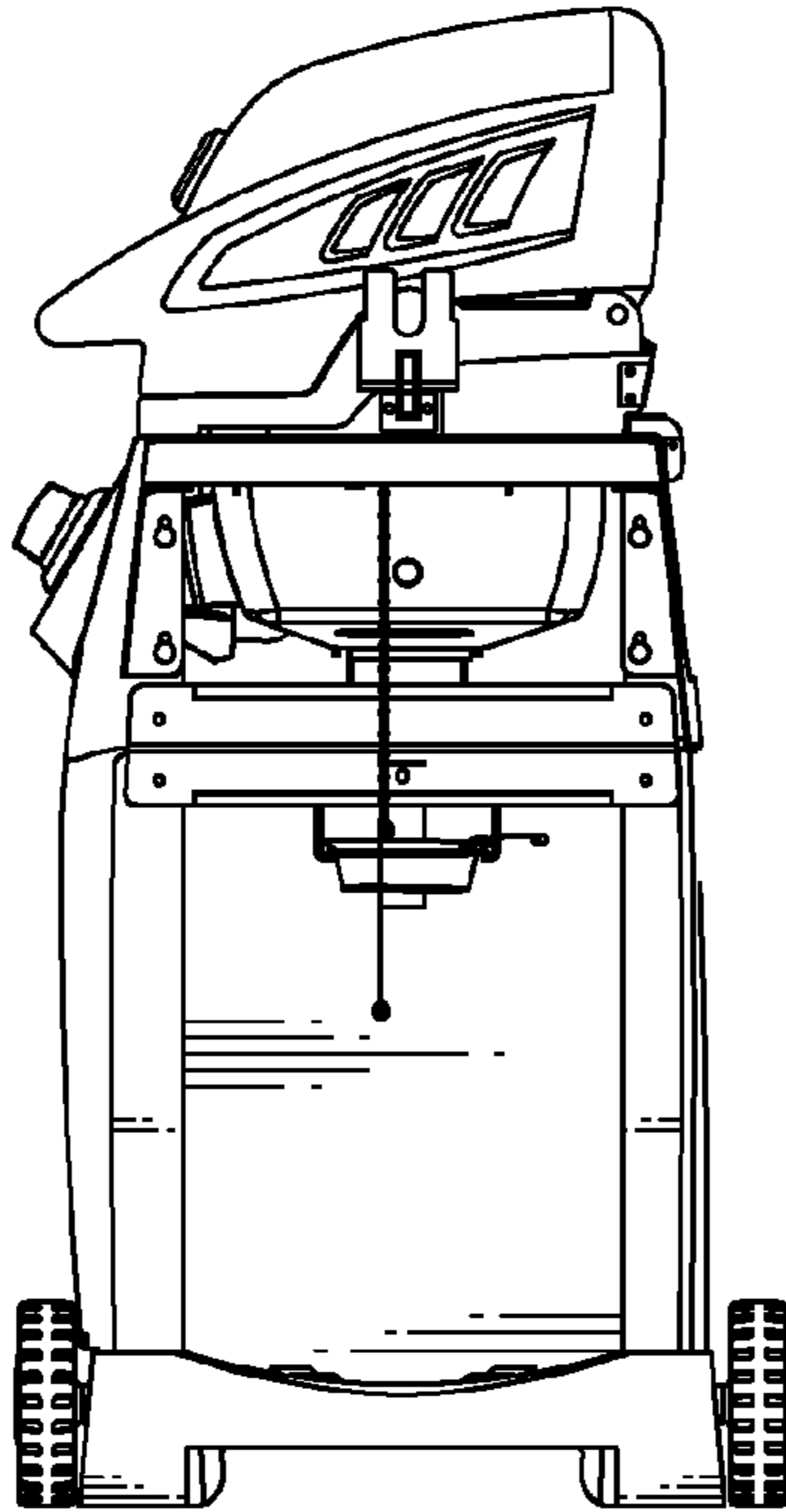


FIG. 4

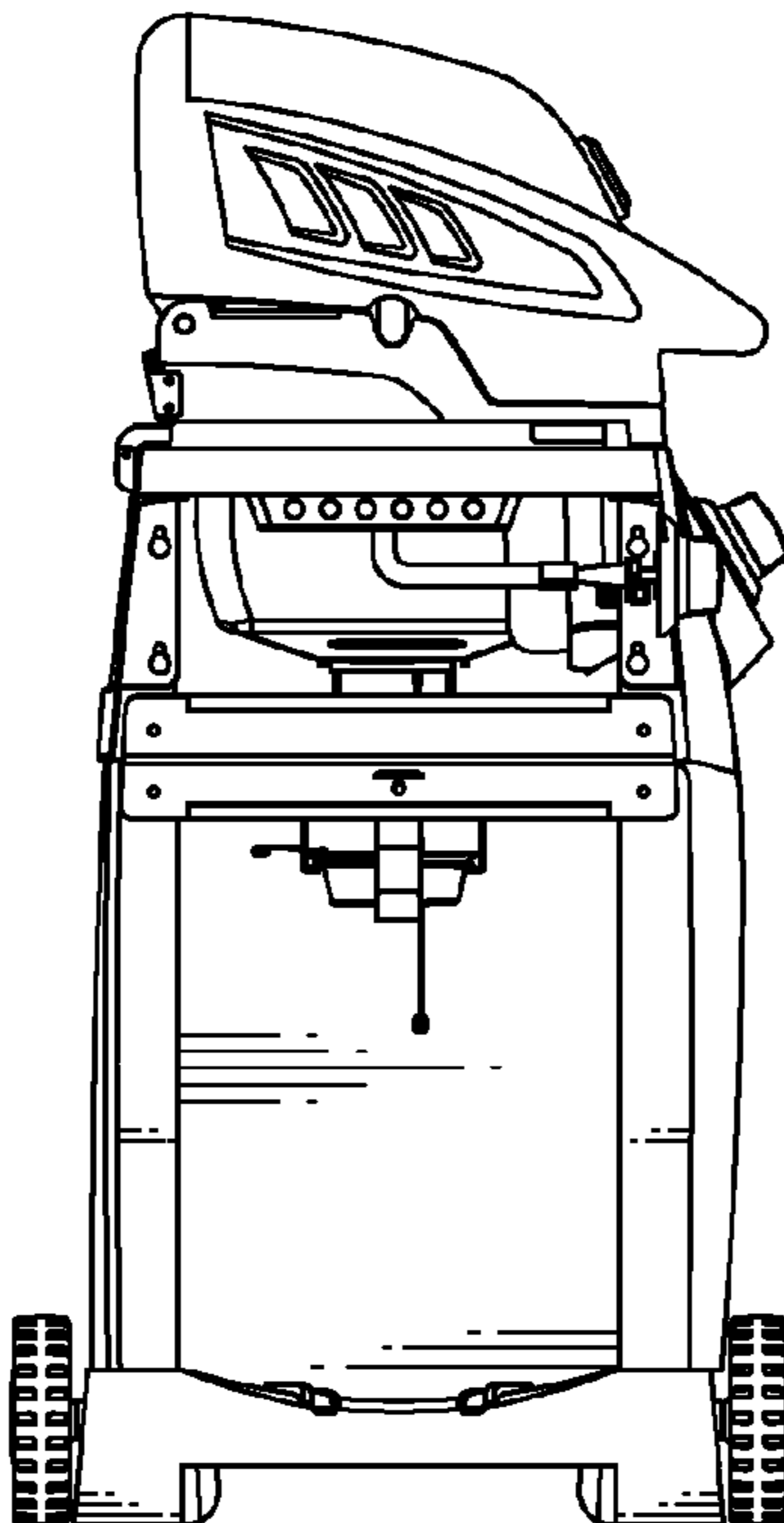


FIG. 5

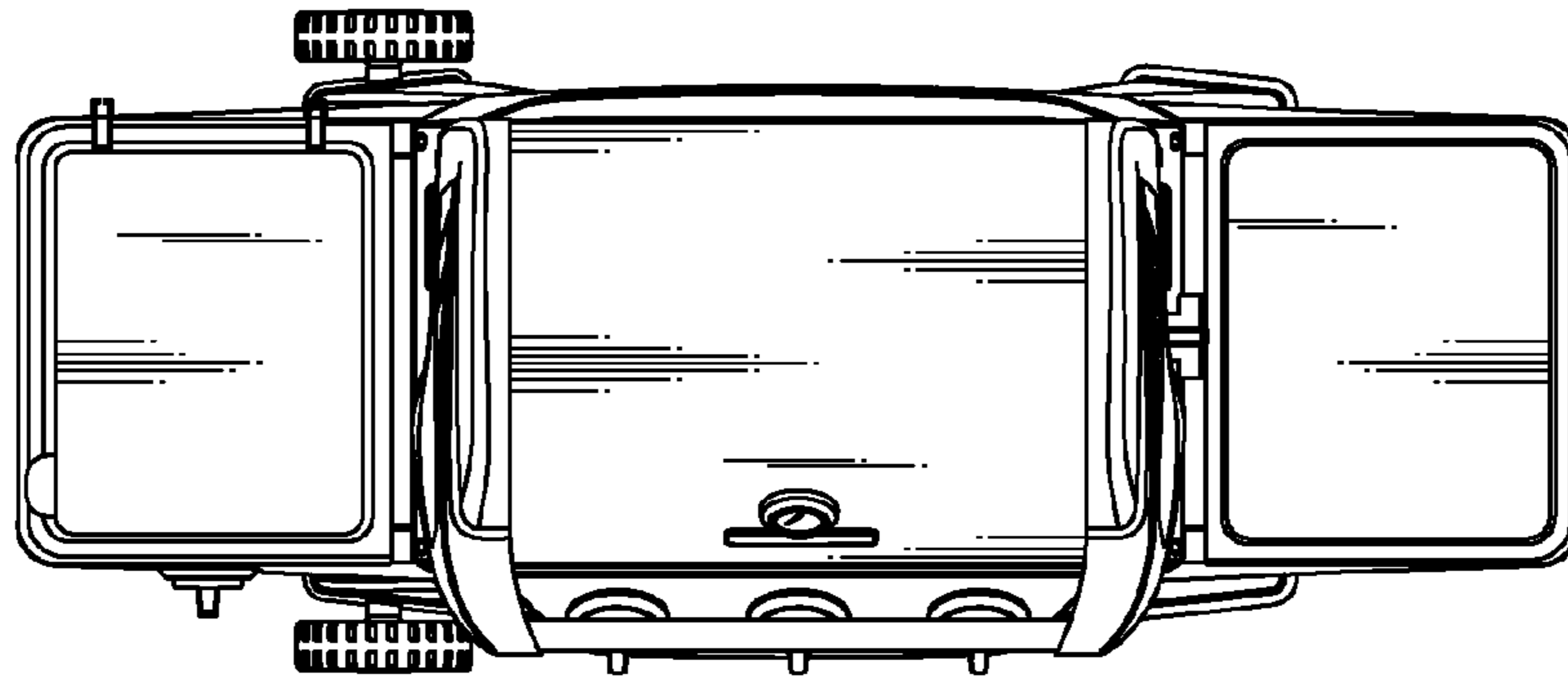


FIG. 6

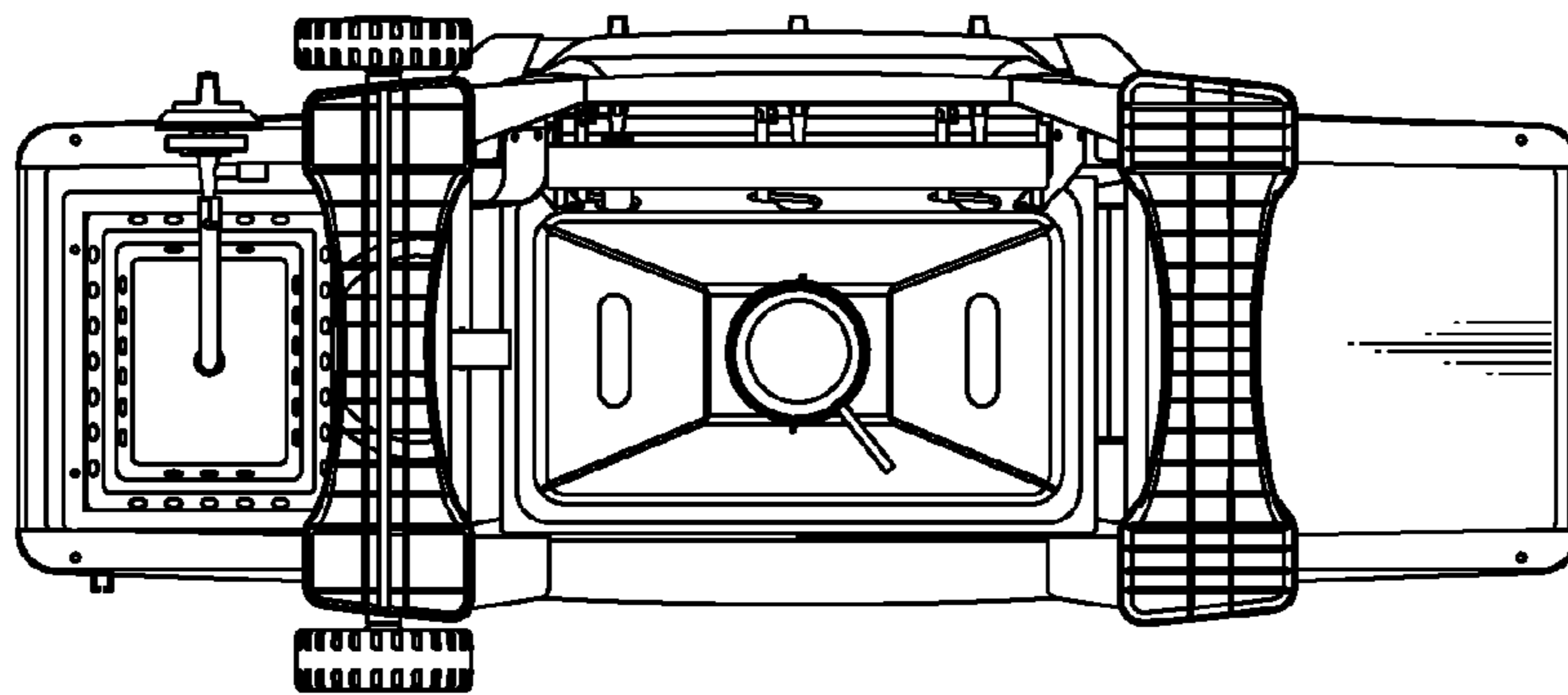


FIG. 7