



US00D544286S

(12) **United States Design Patent**  
**Cahen**

(10) **Patent No.:** **US D544,286 S**

(45) **Date of Patent:** **\*\* Jun. 12, 2007**

(54) **MILK MACHINE**

(75) Inventor: **Antoine Cahen**, Lausanne (CH)

(73) Assignee: **Societe des Produits Nestle S.A.**,  
Vevey (CH)

(\*\*) Term: **14 Years**

(21) Appl. No.: **29/232,835**

(22) Filed: **Jun. 24, 2005**

(30) **Foreign Application Priority Data**

Jan. 4, 2005 (CH) ..... 131275

(51) **LOC (8) Cl.** ..... **07-01**

(52) **U.S. Cl.** ..... **D7/306; D7/309; D7/311**

(58) **Field of Classification Search** ..... D7/309-311,  
D7/306-308, 374, 399, 397, 398; 222/129.1-129;  
219/432; 99/292, 275, 323.3, 282; 62/125  
See application file for complete search history.

(56) **References Cited**

**U.S. PATENT DOCUMENTS**

3,736,155 A \* 5/1973 Martin ..... 99/282  
D267,325 S \* 12/1982 Zimmerman et al. .... D7/309  
D458,794 S \* 6/2002 DeMore ..... D7/309

D501,623 S \* 2/2005 Lin ..... D7/309  
D502,627 S \* 3/2005 Cahen ..... D7/306  
7,017,472 B2 \* 3/2006 Grant et al. .... 99/282  
D519,774 S \* 5/2006 Hansen ..... D7/306  
D523,682 S \* 6/2006 Hansen ..... D7/306  
D525,469 S \* 7/2006 Hansen ..... D7/309  
D525,816 S \* 8/2006 Felty ..... D7/309

\* cited by examiner

*Primary Examiner*—M. N. Pandozzi

(74) *Attorney, Agent, or Firm*—Bell, Boyd & Lloyd LLP

(57) **CLAIM**

The ornamental design for a milk machine, as shown and described.

**DESCRIPTION**

FIG. 1 is a perspective view of the present milk machine.

FIG. 2 is a front view of FIG. 1.

FIG. 3 is a rear view of FIG. 1.

FIG. 4 is top view of FIG. 1.

FIG. 5 is a bottom view of FIG. 1.

FIG. 6 is a left side view of FIG. 1; and,

FIG. 7 is a right side view of FIG. 1.

**1 Claim, 4 Drawing Sheets**

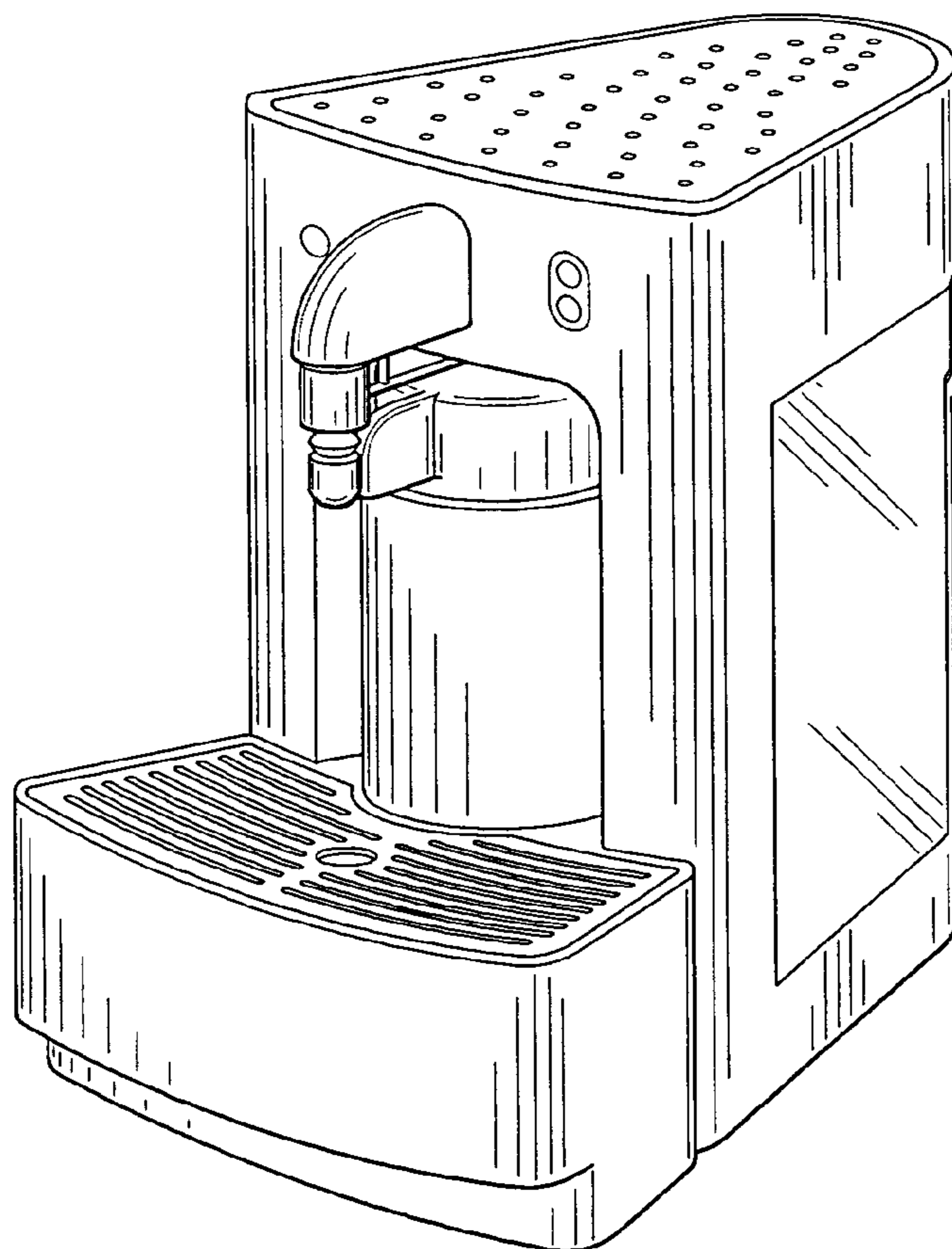


FIG. 1

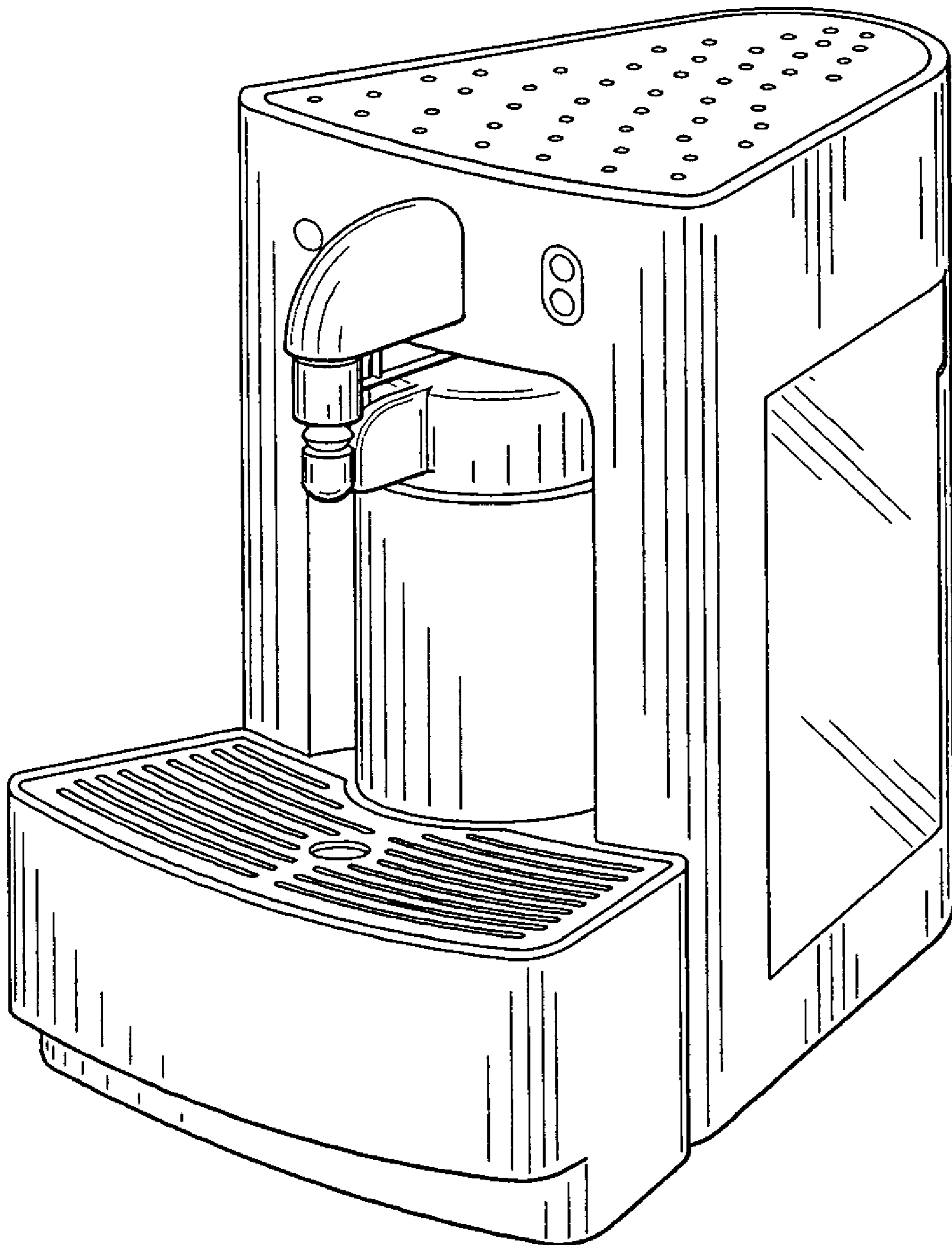


FIG. 2

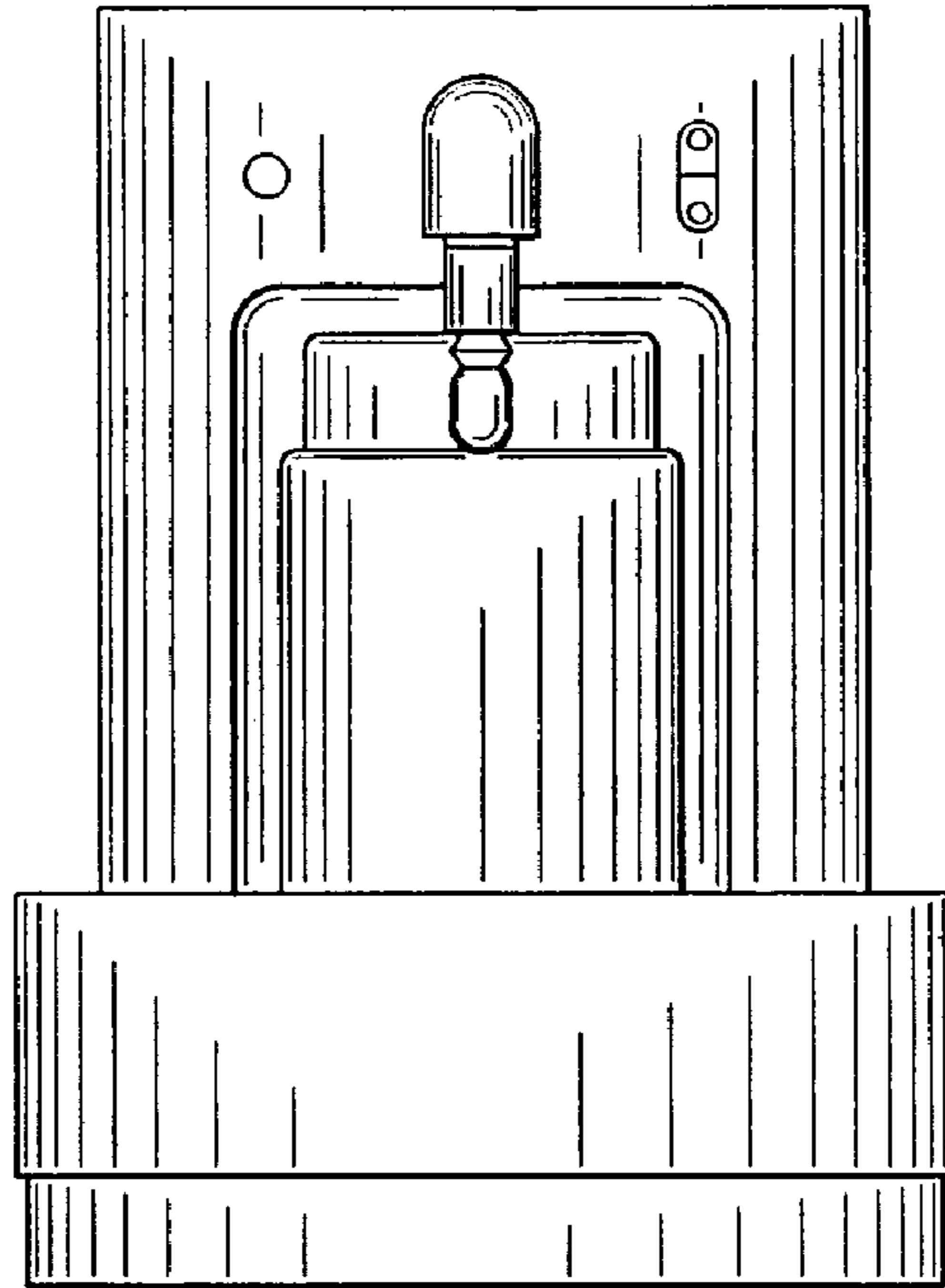


FIG. 3

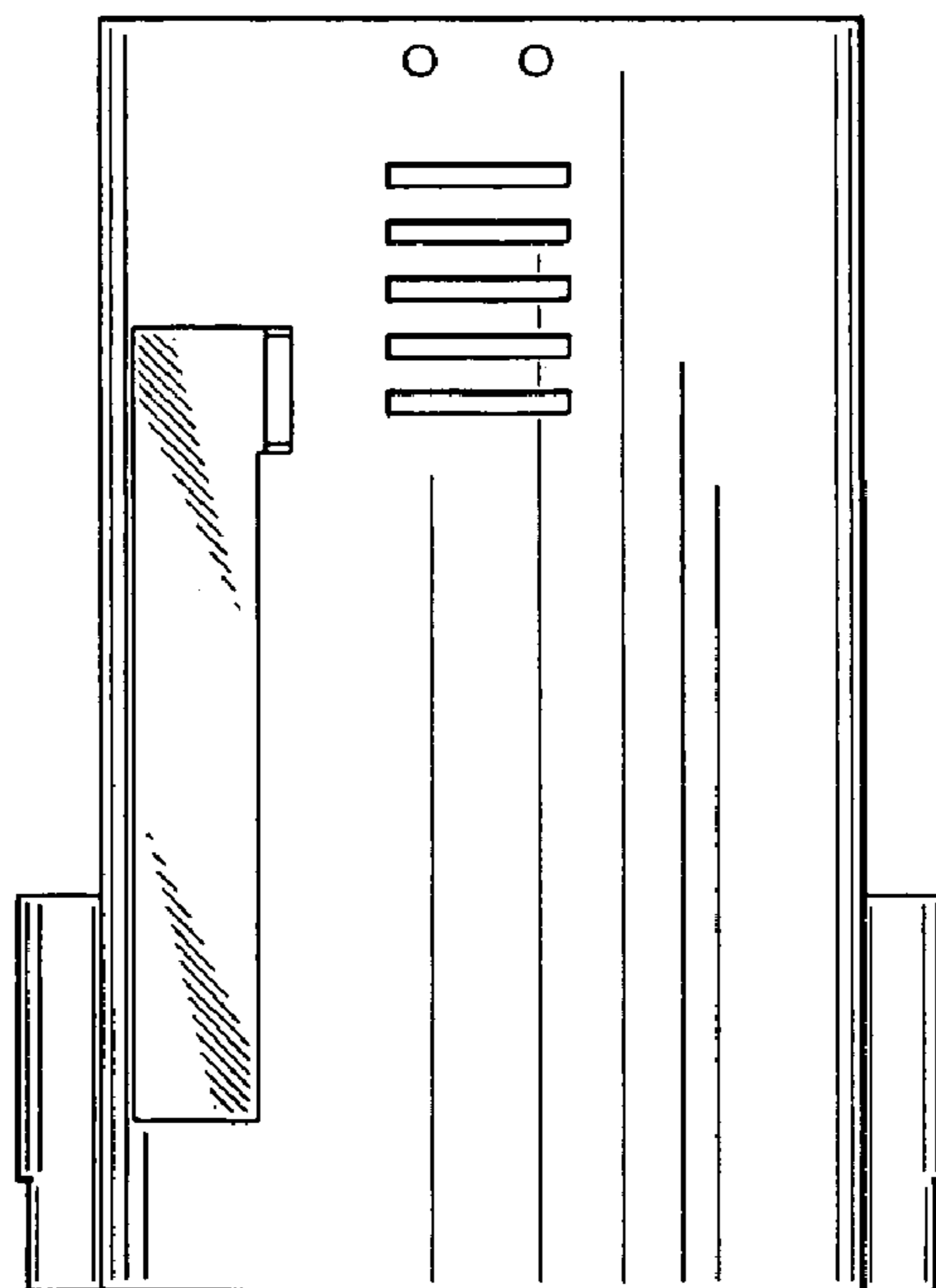


FIG. 4

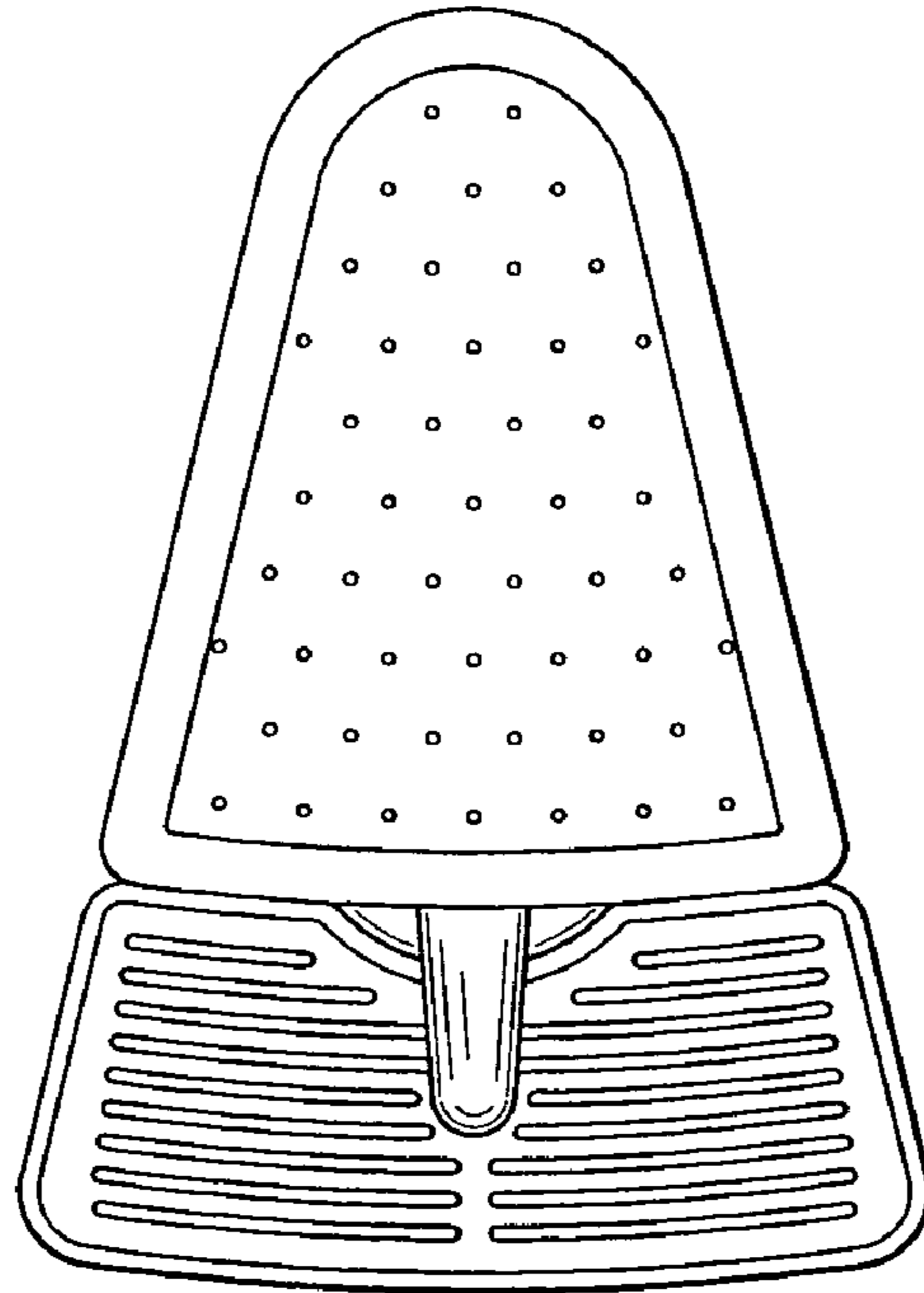


FIG. 5

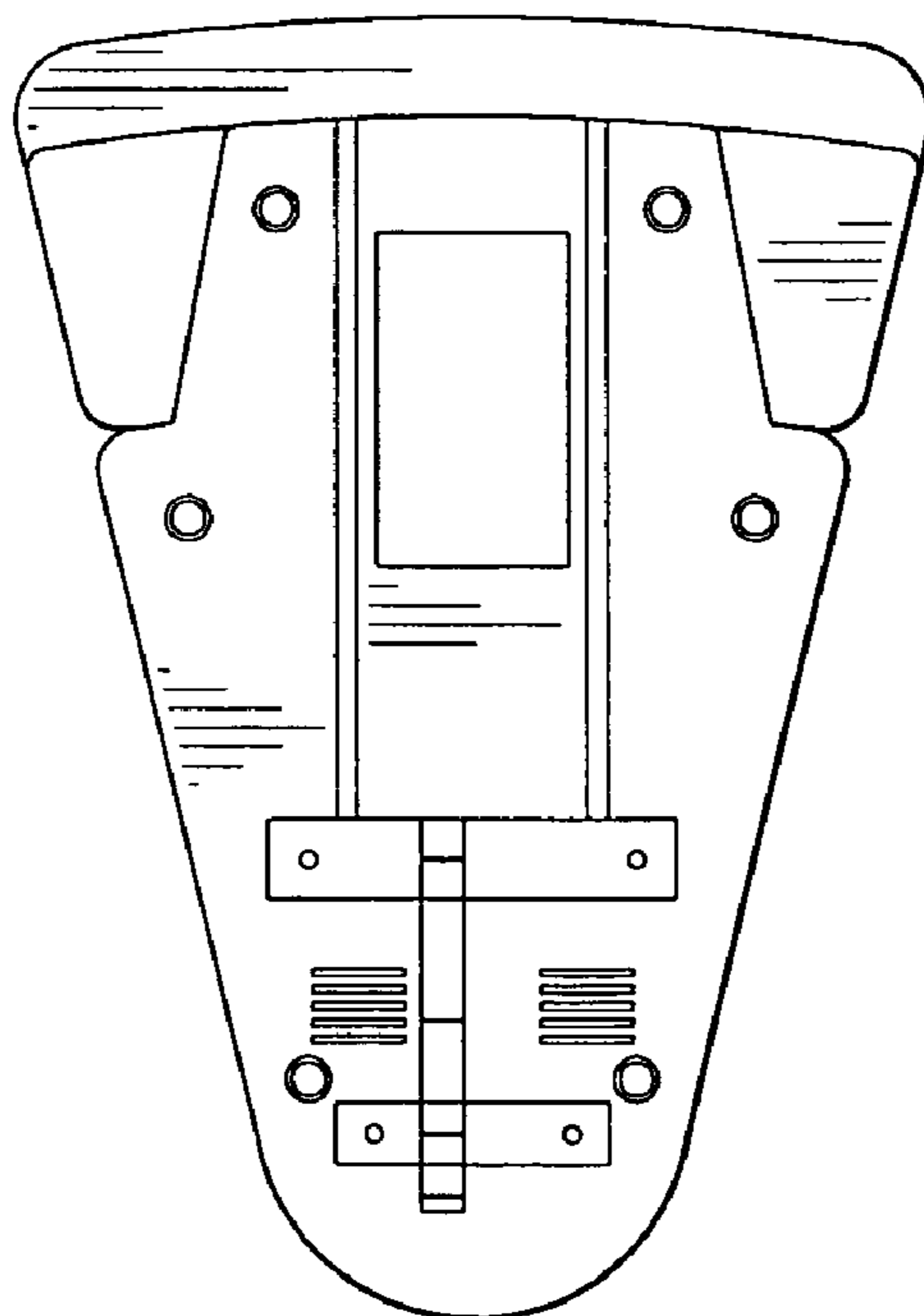


FIG. 6

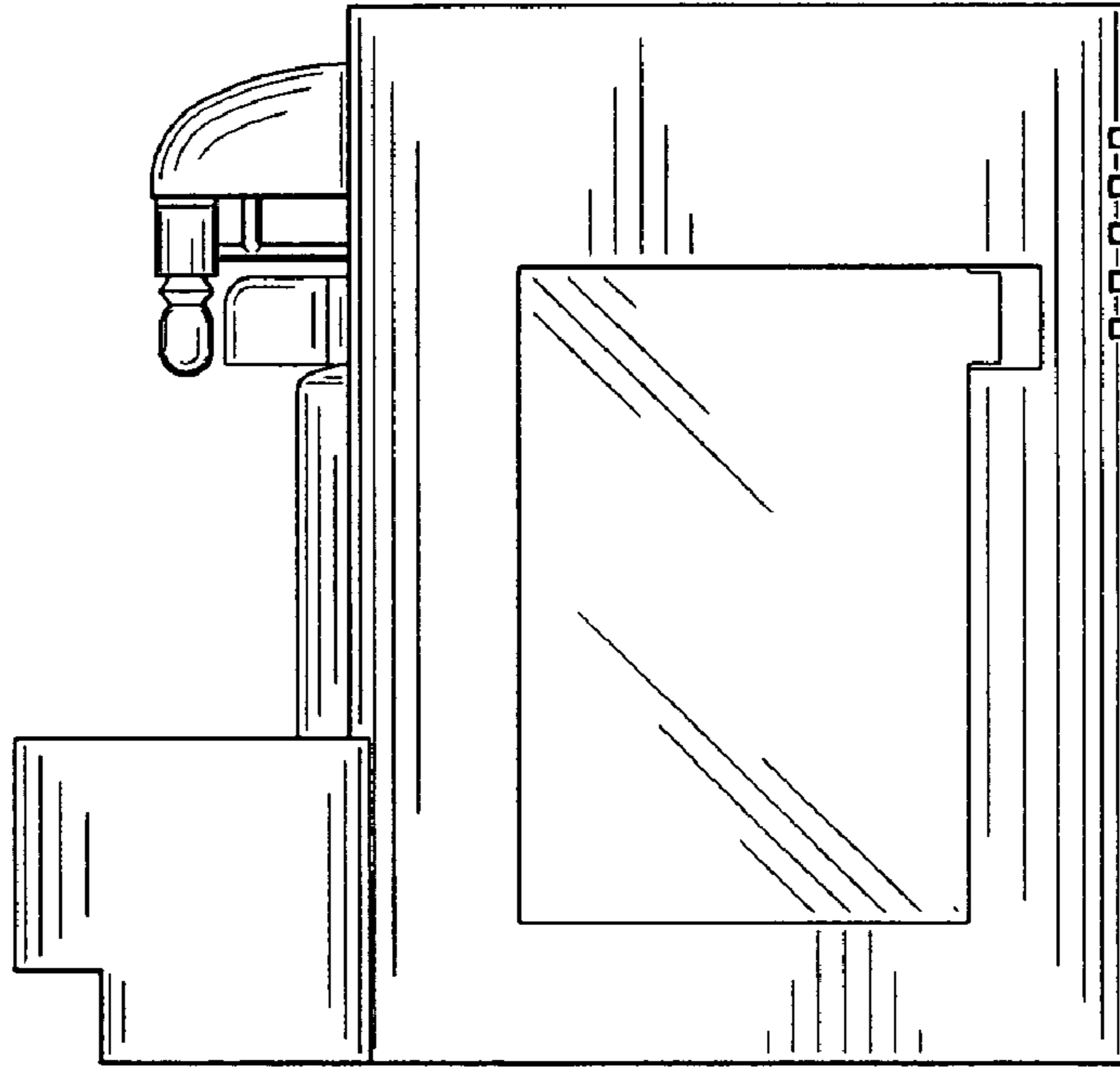


FIG. 7

