



US00D544272S

(12) **United States Design Patent**  
**Chen et al.**

(10) **Patent No.:** **US D544,272 S**  
(45) **Date of Patent:** **\*\* Jun. 12, 2007**

(54) **WALL ORGANIZER**

(75) Inventors: **Peter Chen**, West Windsor, NJ (US);  
**Kevin Hui-Lien Lee**, East Brunswick,  
NJ (US); **Jungkun Lee**, Edison, NJ  
(US)

(73) Assignee: **Officemate International Corp.**,  
Edison, NJ (US)

(\*\*) Term: **14 Years**

(21) Appl. No.: **29/222,304**

(22) Filed: **Jan. 24, 2005**

(51) **LOC (8) Cl.** ..... **06-04**

(52) **U.S. Cl.** ..... **D6/553**

(58) **Field of Classification Search** ..... D6/553,  
D6/567; D19/65, 75, 77, 78, 86-91, 99-100;  
211/10, 11, 13.1, 44-50, 119.005, 87.01,  
211/88.01, 126.13, 126.16; 229/405, 928  
See application file for complete search history.

(56) **References Cited**

**U.S. PATENT DOCUMENTS**

D297,693 S \* 9/1988 Norstedt ..... D6/553  
D390,268 S \* 2/1998 Stravitz ..... D19/90  
D391,990 S \* 3/1998 Wolff ..... D19/78

D413,749 S \* 9/1999 Stravitz ..... D6/567  
D416,421 S \* 11/1999 Hampshire ..... D6/553  
D419,301 S \* 1/2000 Hampshire ..... D3/304  
D486,185 S \* 2/2004 Sheldon et al. .... D19/90

\* cited by examiner

*Primary Examiner*—Brian N Vinson

(74) *Attorney, Agent, or Firm*—Daniel Kirshner

(57) **CLAIM**

The ornamental design for a wall organizer, as shown.

**DESCRIPTION**

FIG. 1 is a front prospective view of the wall organizer showing our new design;

FIG. 2 is a front view thereof;

FIG. 3 is a rear view thereof;

FIG. 4 is left side view thereof;

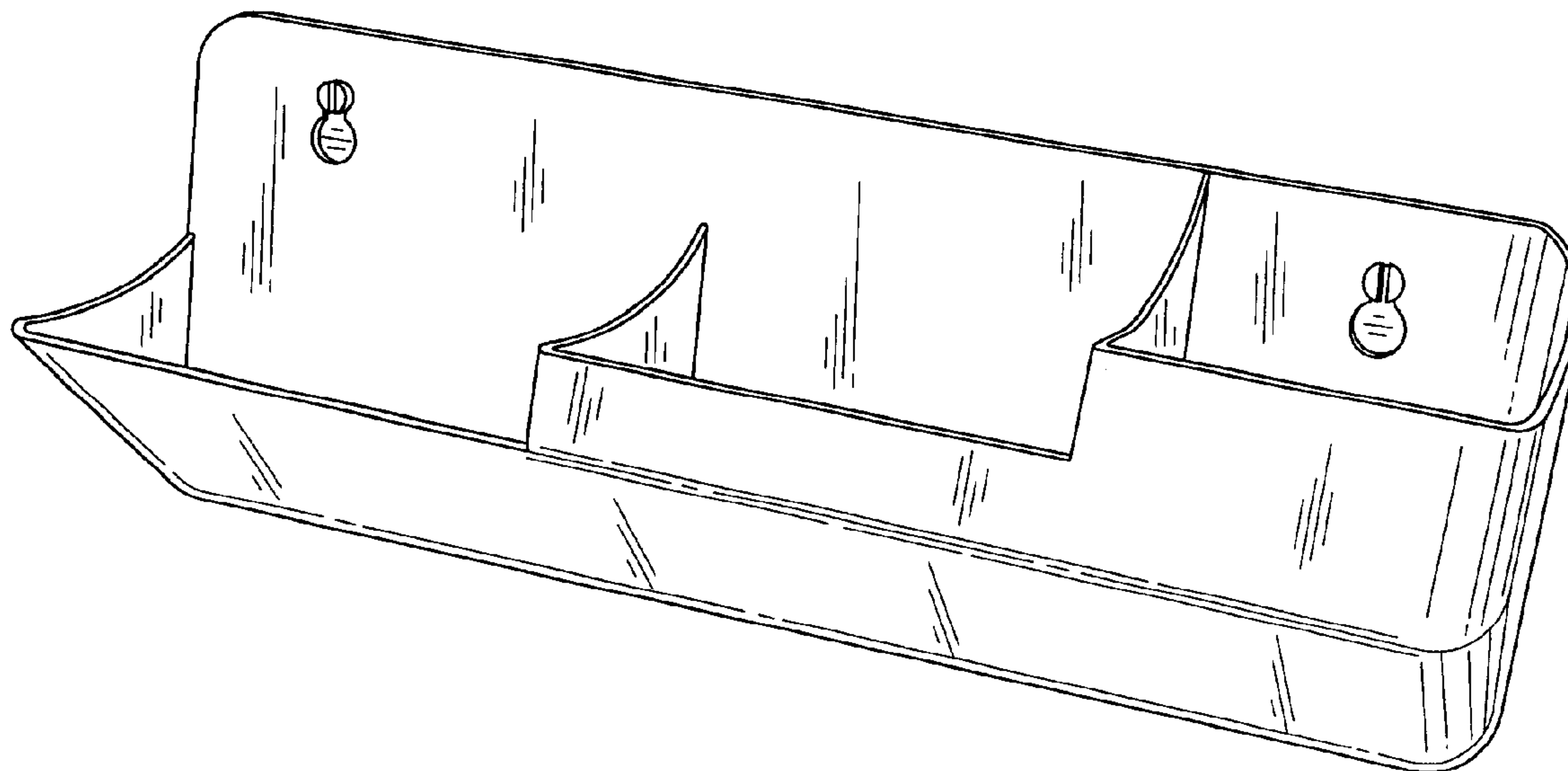
FIG. 5 is a right side view thereof;

FIG. 6 is a top view thereof;

FIG. 7 is a bottom view thereof; and,

FIG. 8 is a front perspective view thereof with the attachment devices in an exploded condition.

**1 Claim, 7 Drawing Sheets**



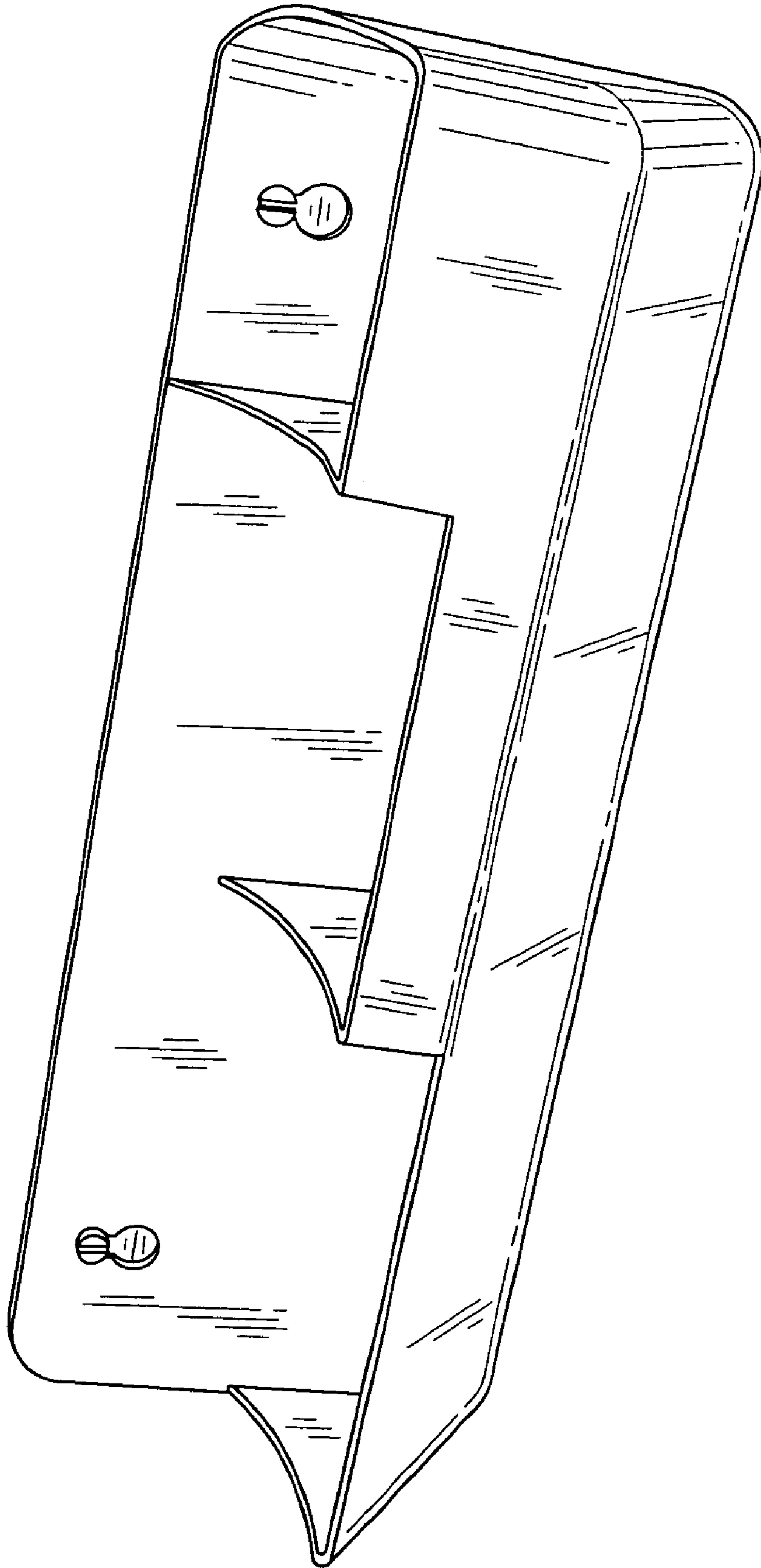


FIG. 1

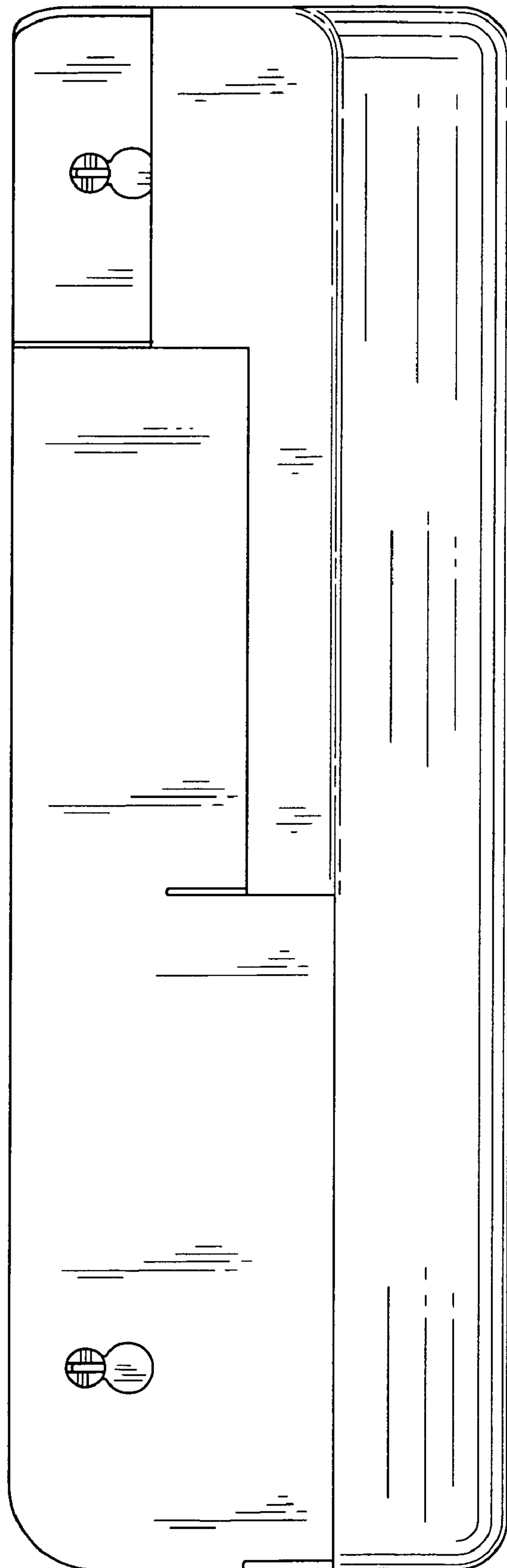


FIG. 2

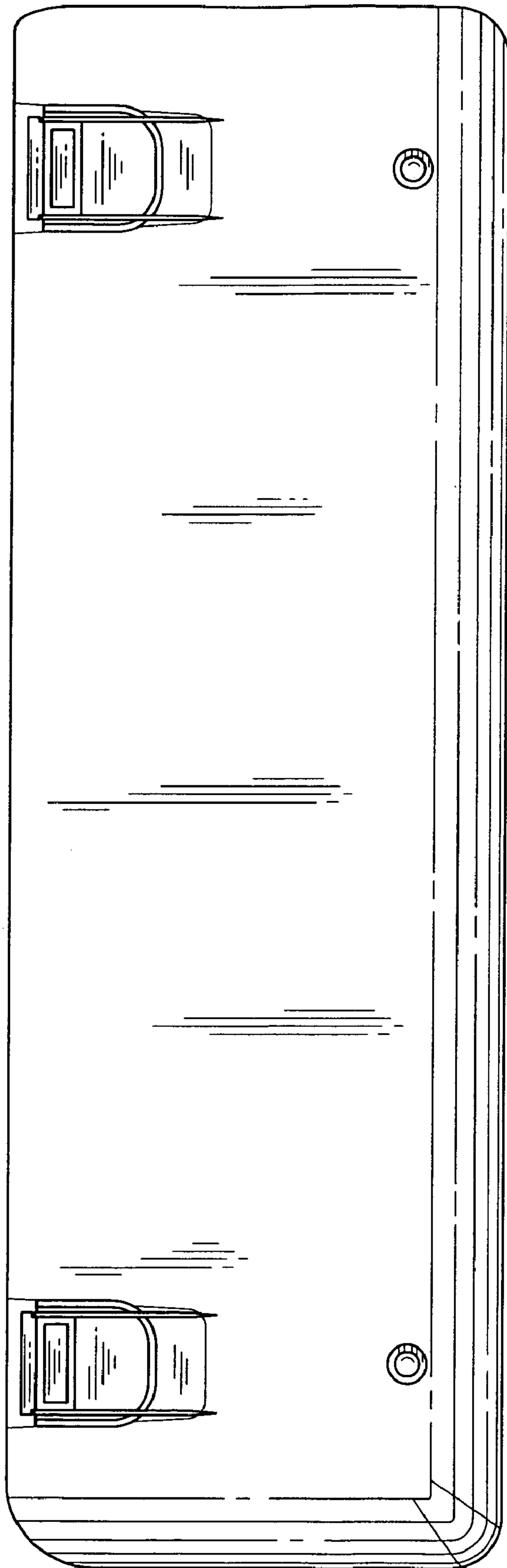


FIG. 3

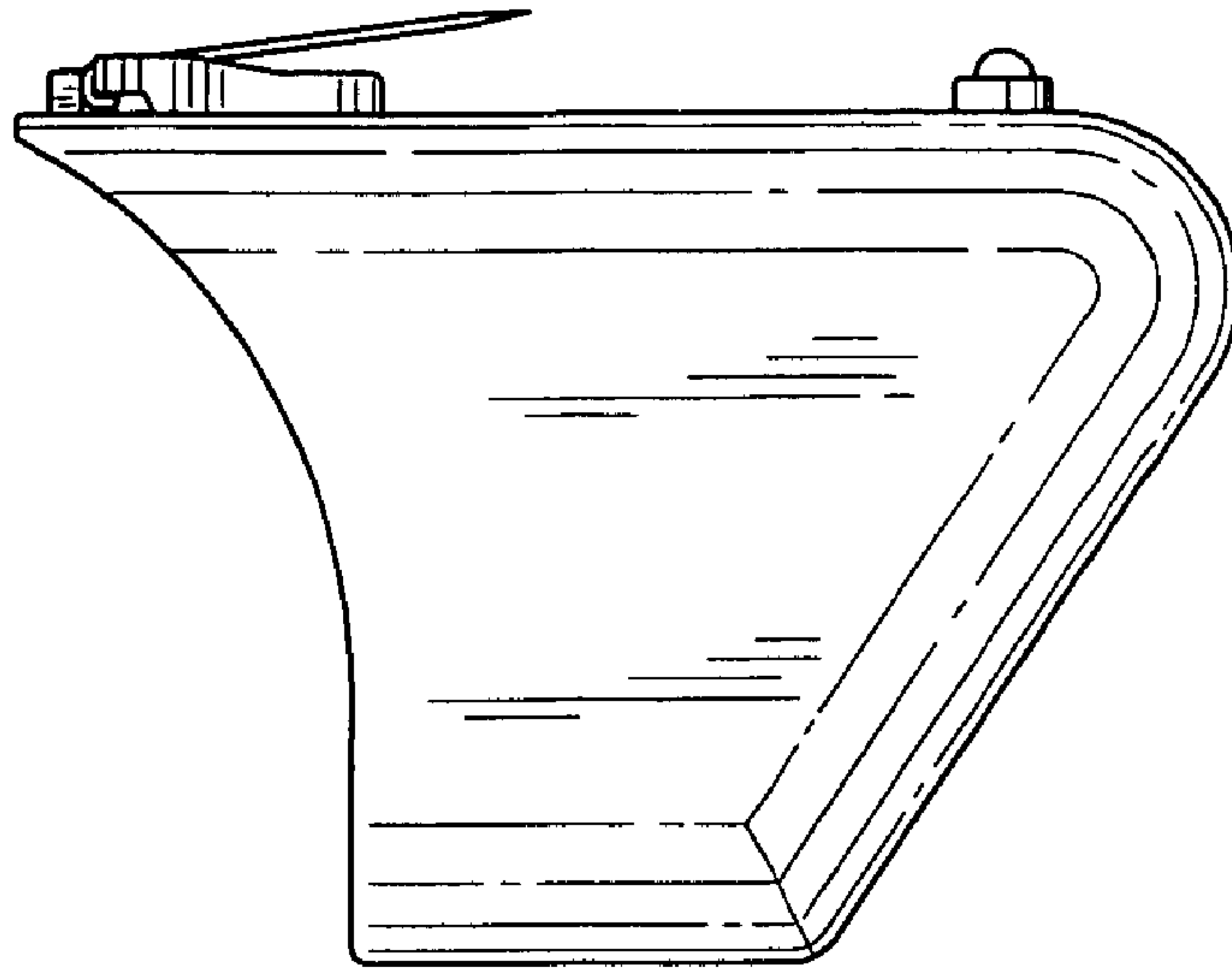


FIG. 5

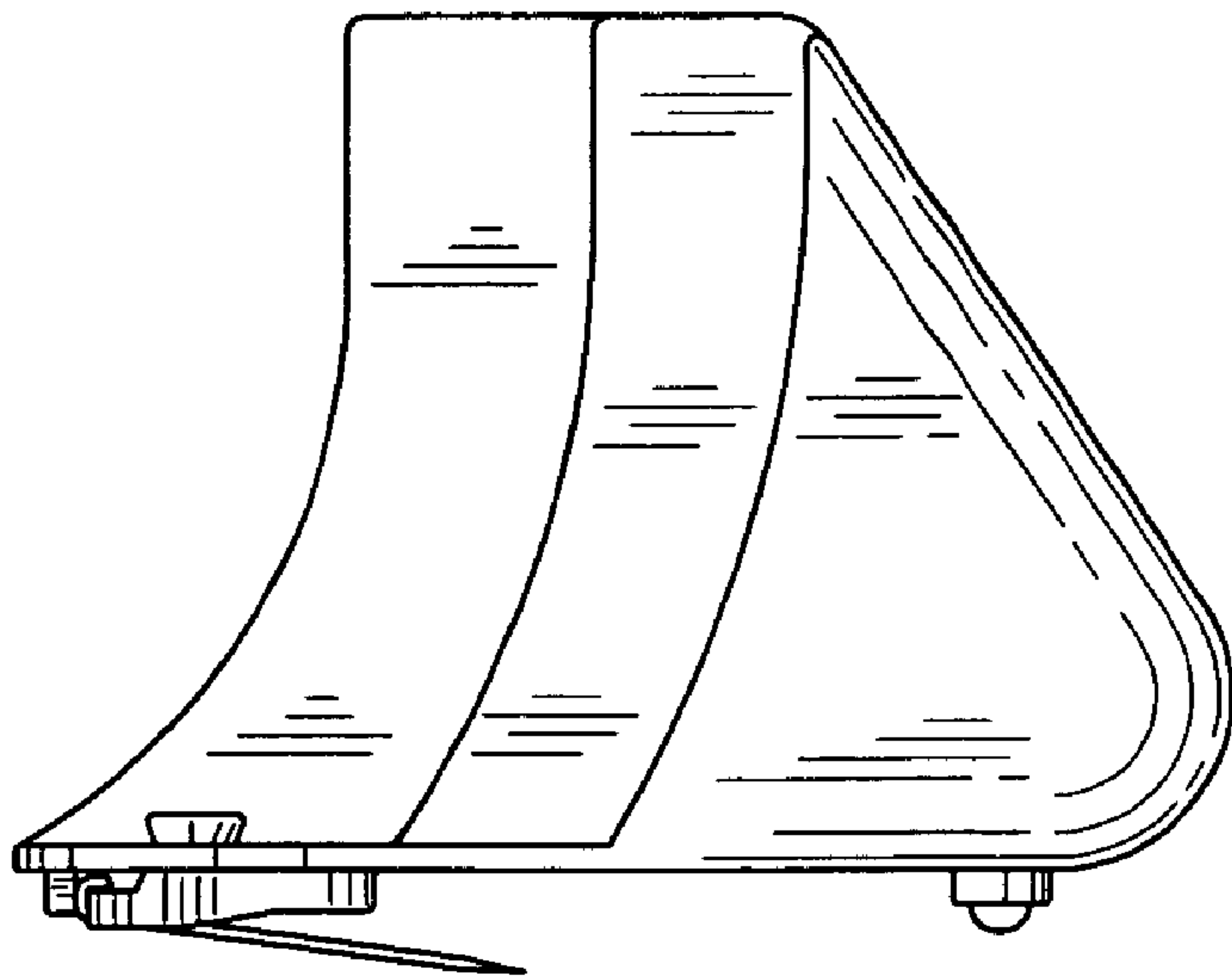


FIG. 4



FIG. 6

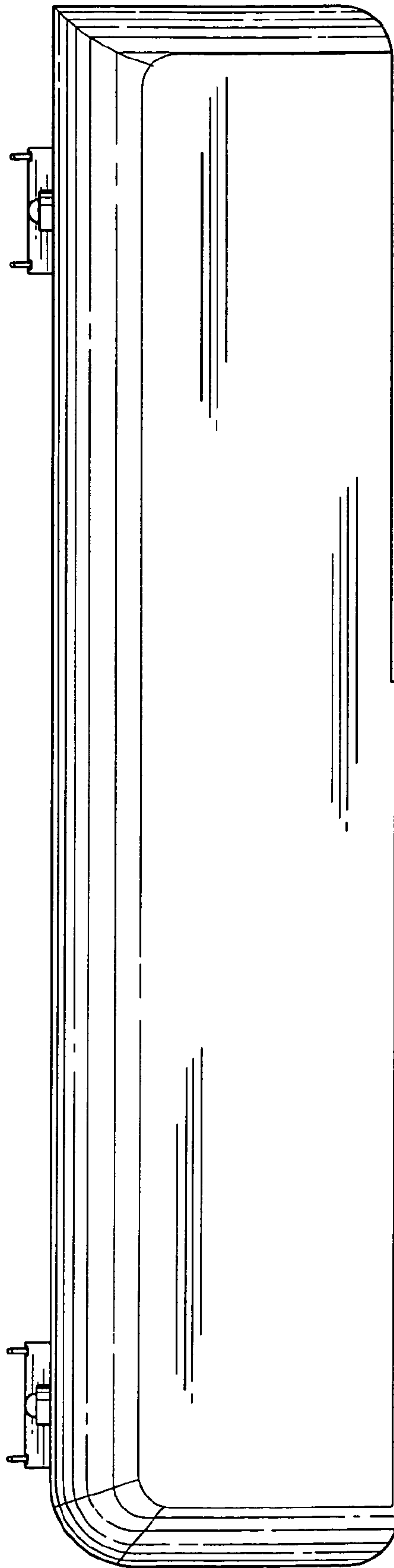


FIG. 7

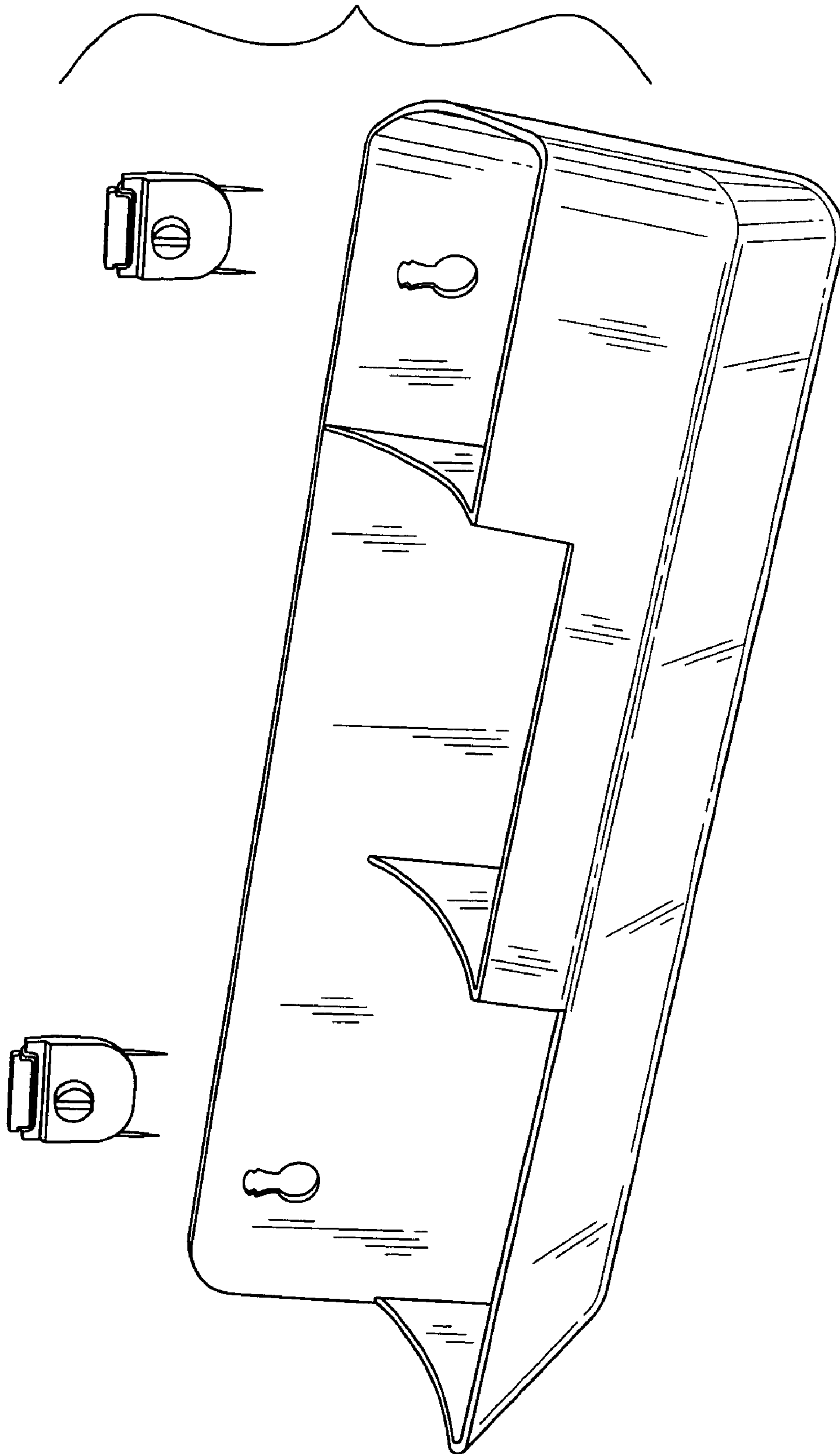


FIG. 8