

US00D544269S

(12) **United States Design Patent**
Hoernig

(10) **Patent No.:** **US D544,269 S**

(45) **Date of Patent:** **** Jun. 12, 2007**

(54) **TOWEL BAR**

(75) Inventor: **Victor Hoernig**, Lowell, IN (US)

(73) Assignee: **Liberty Hardware Mfg. Corp.**,
Winston-Salem, NC (US)

(**) Term: **14 Years**

(21) Appl. No.: **29/227,290**

(22) Filed: **Apr. 8, 2005**

(51) **LOC (8) Cl.** **06-04**

(52) **U.S. Cl.** **D6/549**

(58) **Field of Classification Search** D6/546-550,
D6/518-519, 522-524; D8/300, 303, 315-321,
D8/354, 363, 373, 380; 108/28-29; 211/13.1,
211/16, 60.1, 86.01, 87.01, 88.01, 88.04,
211/100, 105.1-105.2, 123, 126.1, 133.6,
211/134, 181.1, 182; 248/175, 176.1, 200,
248/251, 302, 309.1; 16/110.1, 412, 415;
242/570, 590, 595-598; 206/389, 557

See application file for complete search history.

(56) **References Cited**

U.S. PATENT DOCUMENTS

D392,139 S * 3/1998 Wu D6/549
D424,352 S * 5/2000 Roth et al. D6/549

D452,100 S * 12/2001 Gilbert D6/549
D455,592 S * 4/2002 Ou-Young D6/549
D472,417 S * 4/2003 Hunt D6/549
D477,740 S * 7/2003 Gilbert D6/549
D478,759 S * 8/2003 Hoernig D6/549
D483,585 S * 12/2003 Chen D6/549
D492,530 S * 7/2004 Chen D6/549
D503,061 S * 3/2005 Fuchs D6/549

* cited by examiner

Primary Examiner—Brian N Vinson

(74) *Attorney, Agent, or Firm*—Edgar A. Zarins; Lloyd D. Doigan

(57) **CLAIM**

The ornamental design for a towel bar, as shown and described.

DESCRIPTION

FIG. 1 is a perspective view of a towel bar showing my new design;

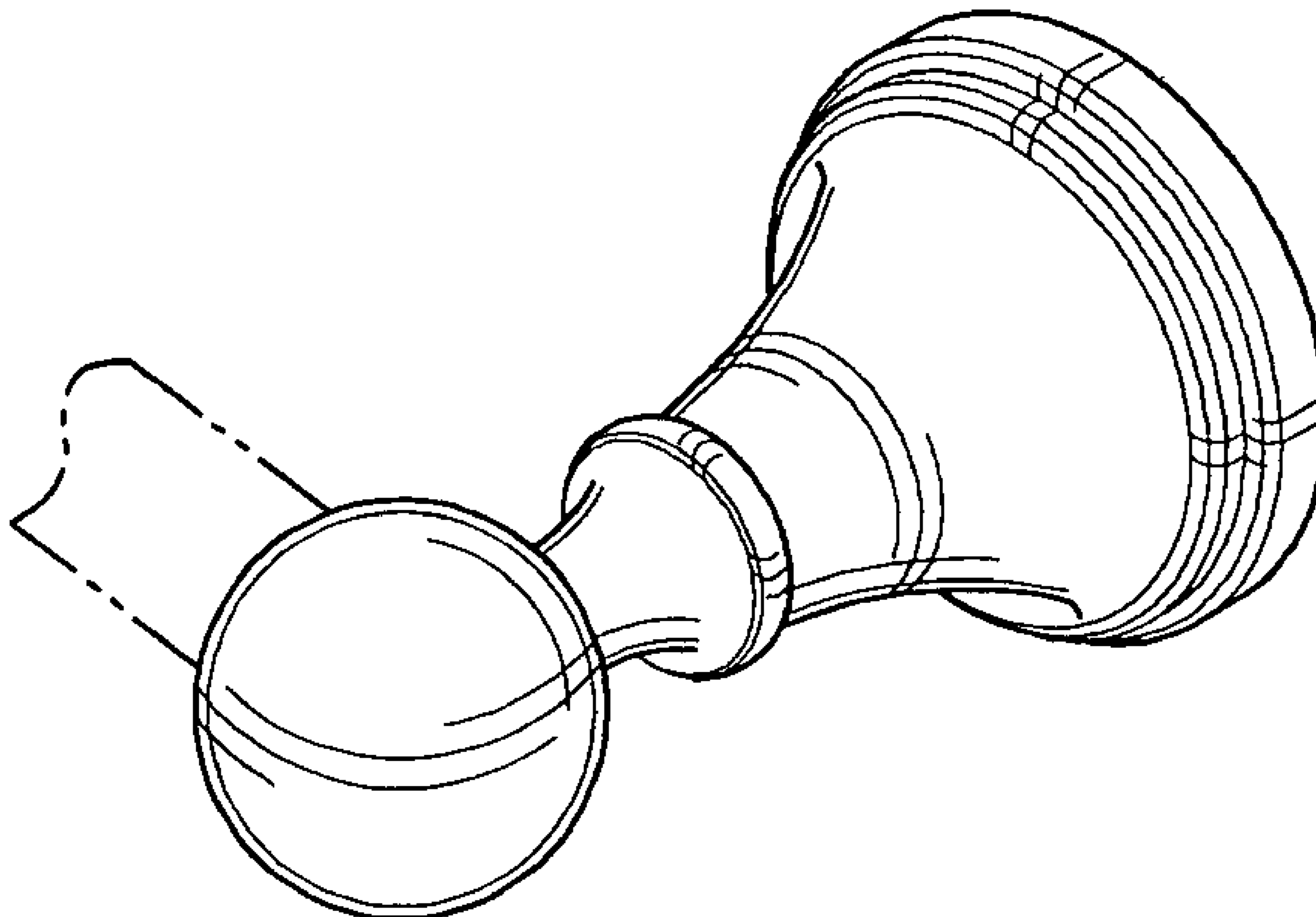
FIG. 2 is a top plan view thereof;

FIG. 3 is a first side view thereof;

FIG. 4 is a front elevational view thereof; and,

FIG. 5 is a second side view thereof.

1 Claim, 2 Drawing Sheets



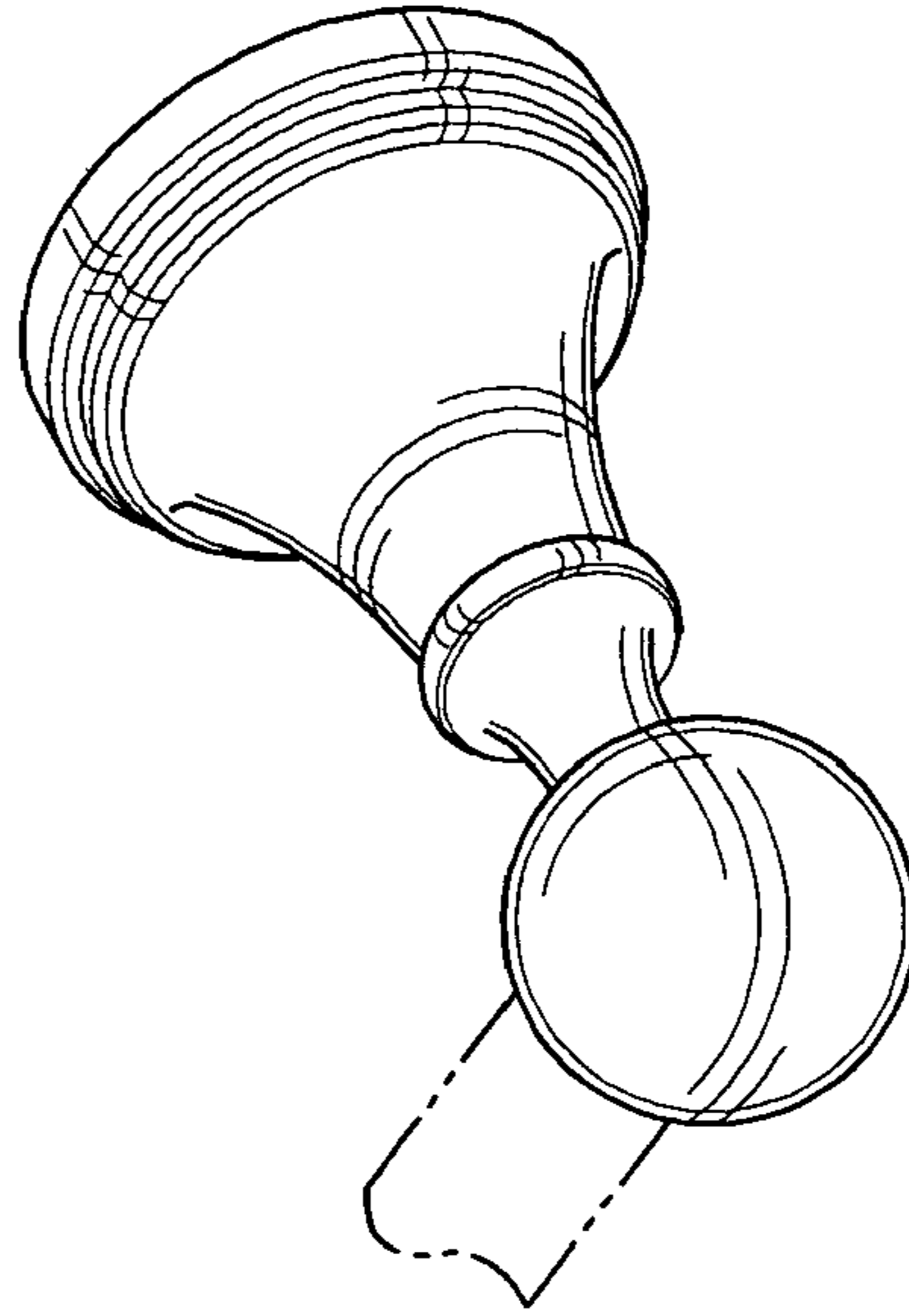


Fig-1

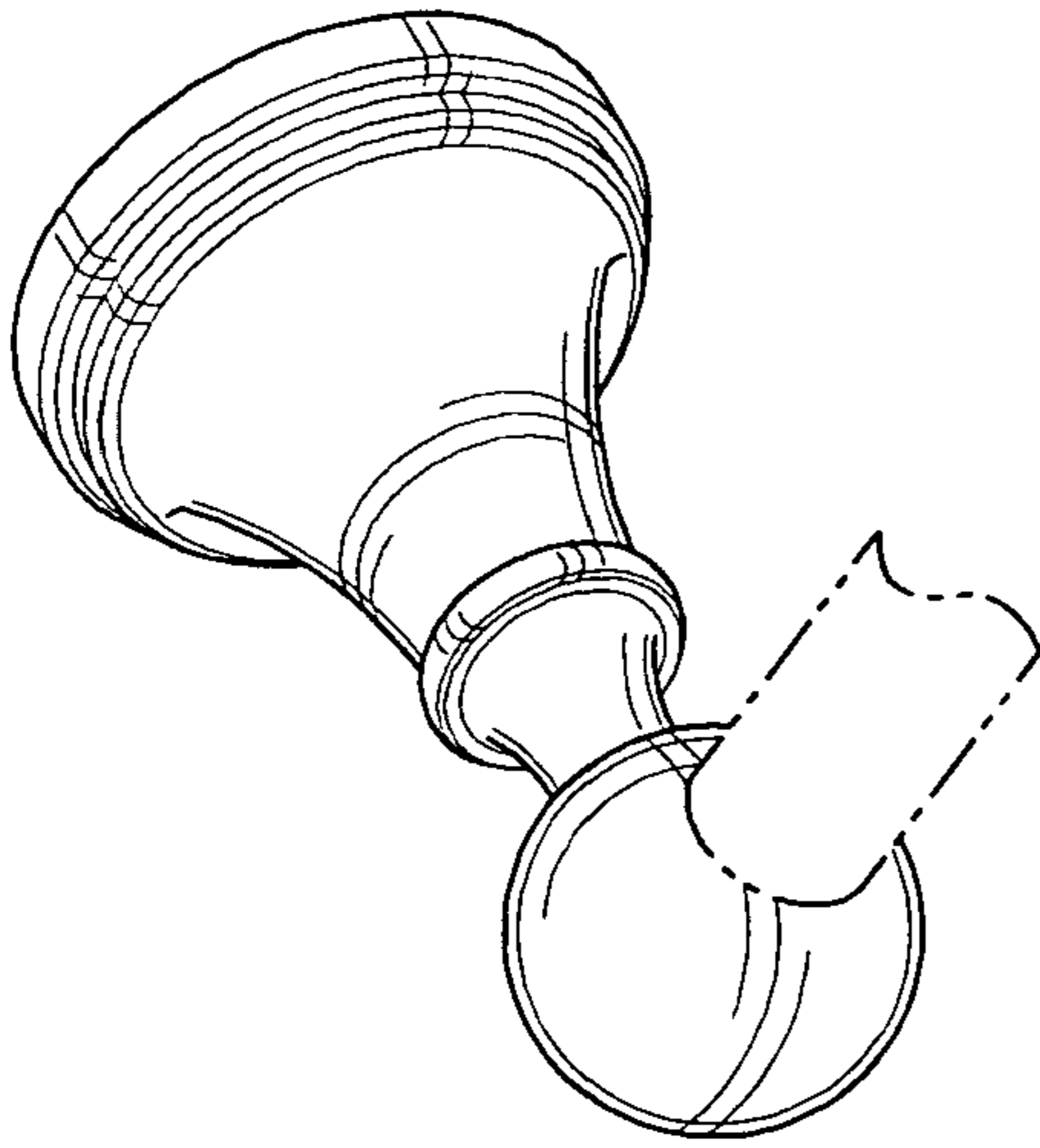
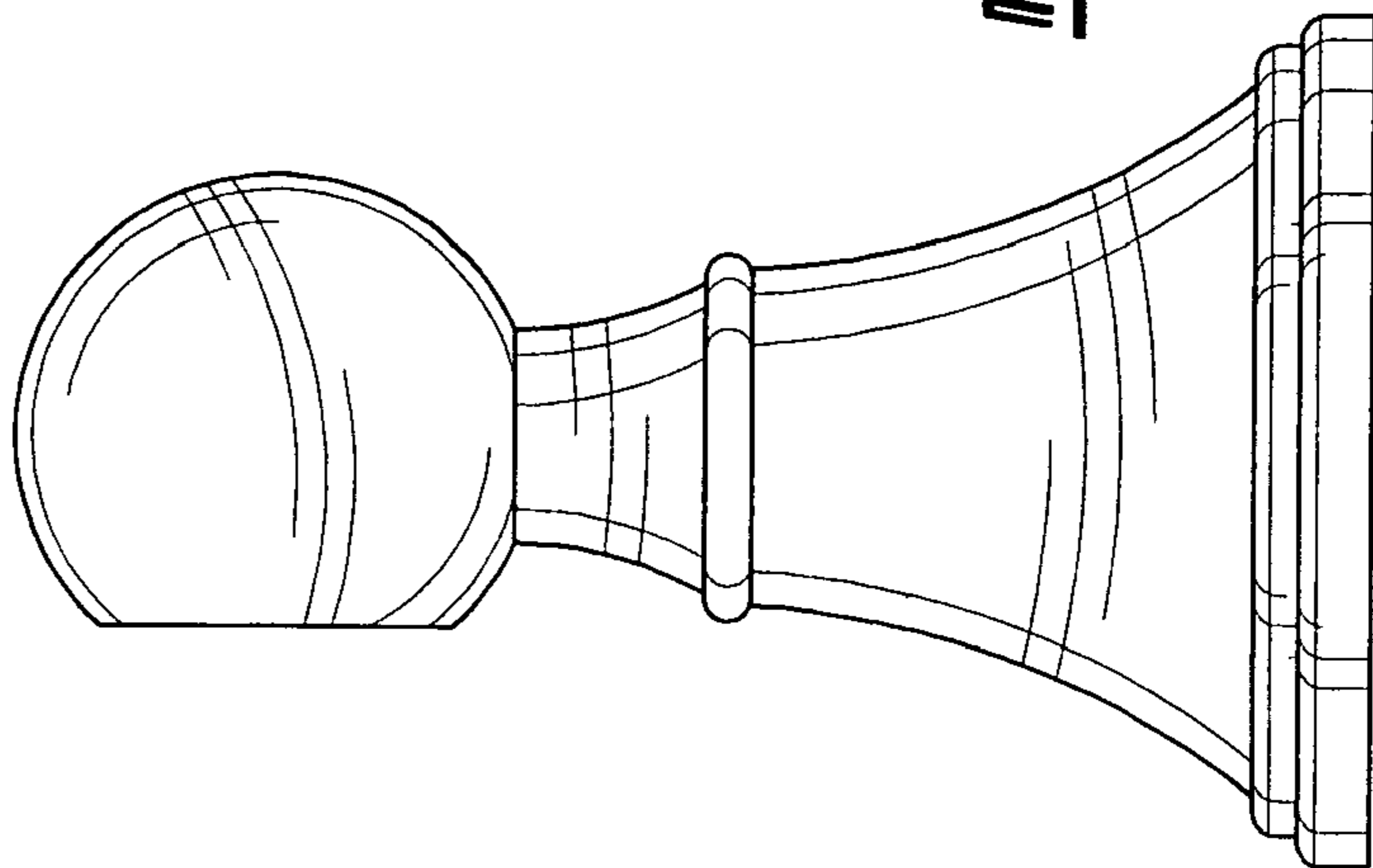


Fig-2



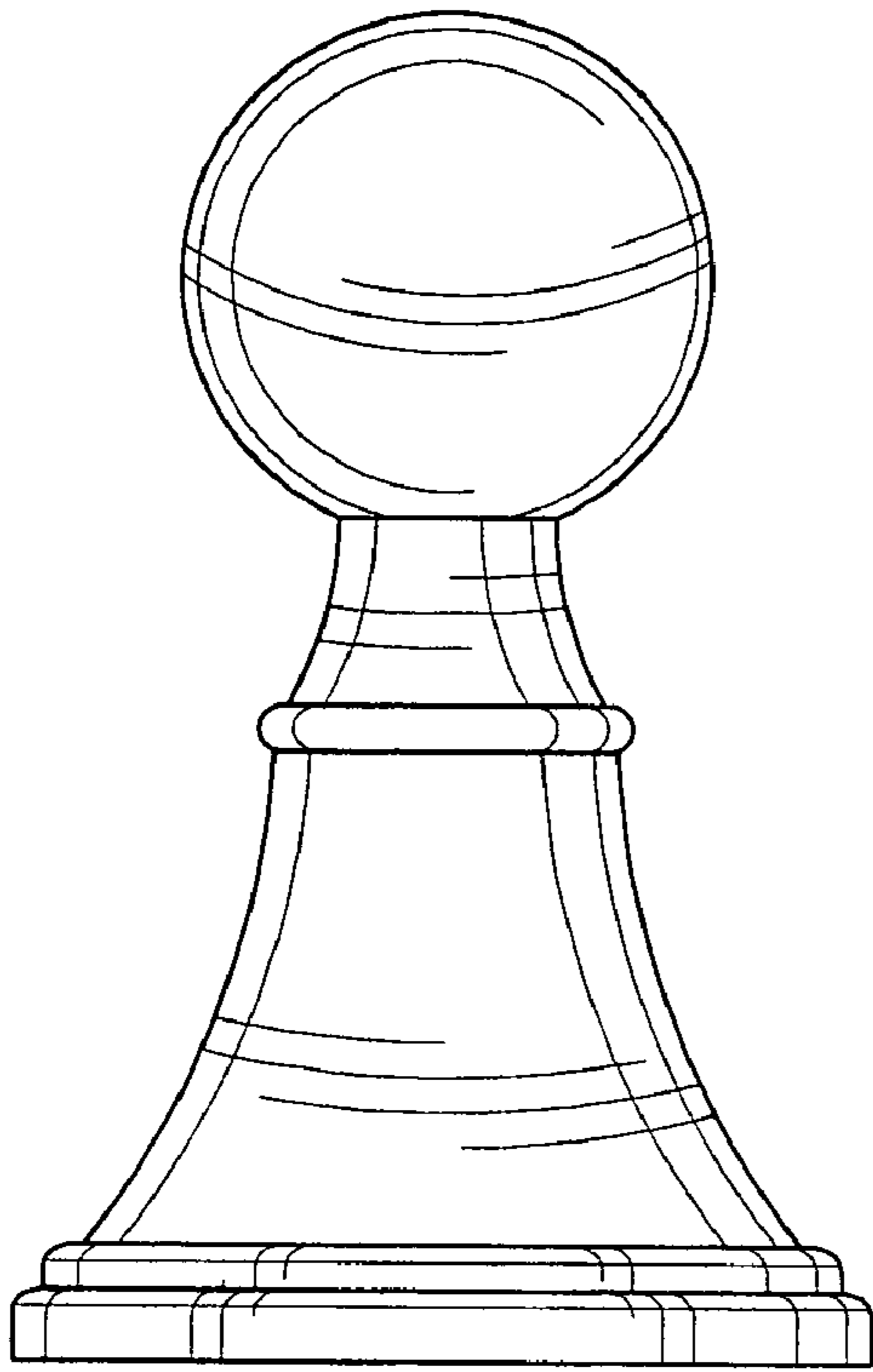


Fig-3

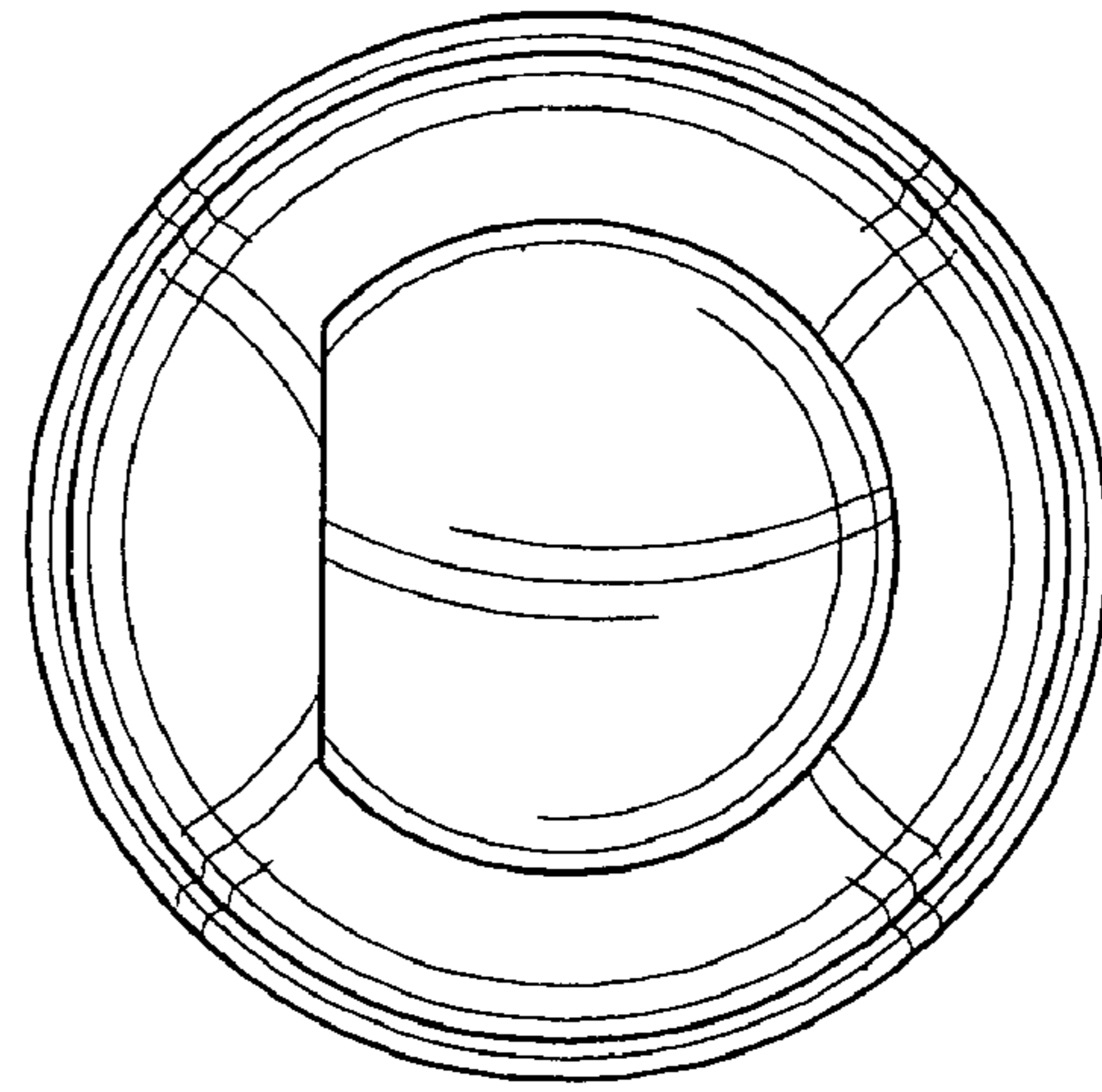


Fig-4

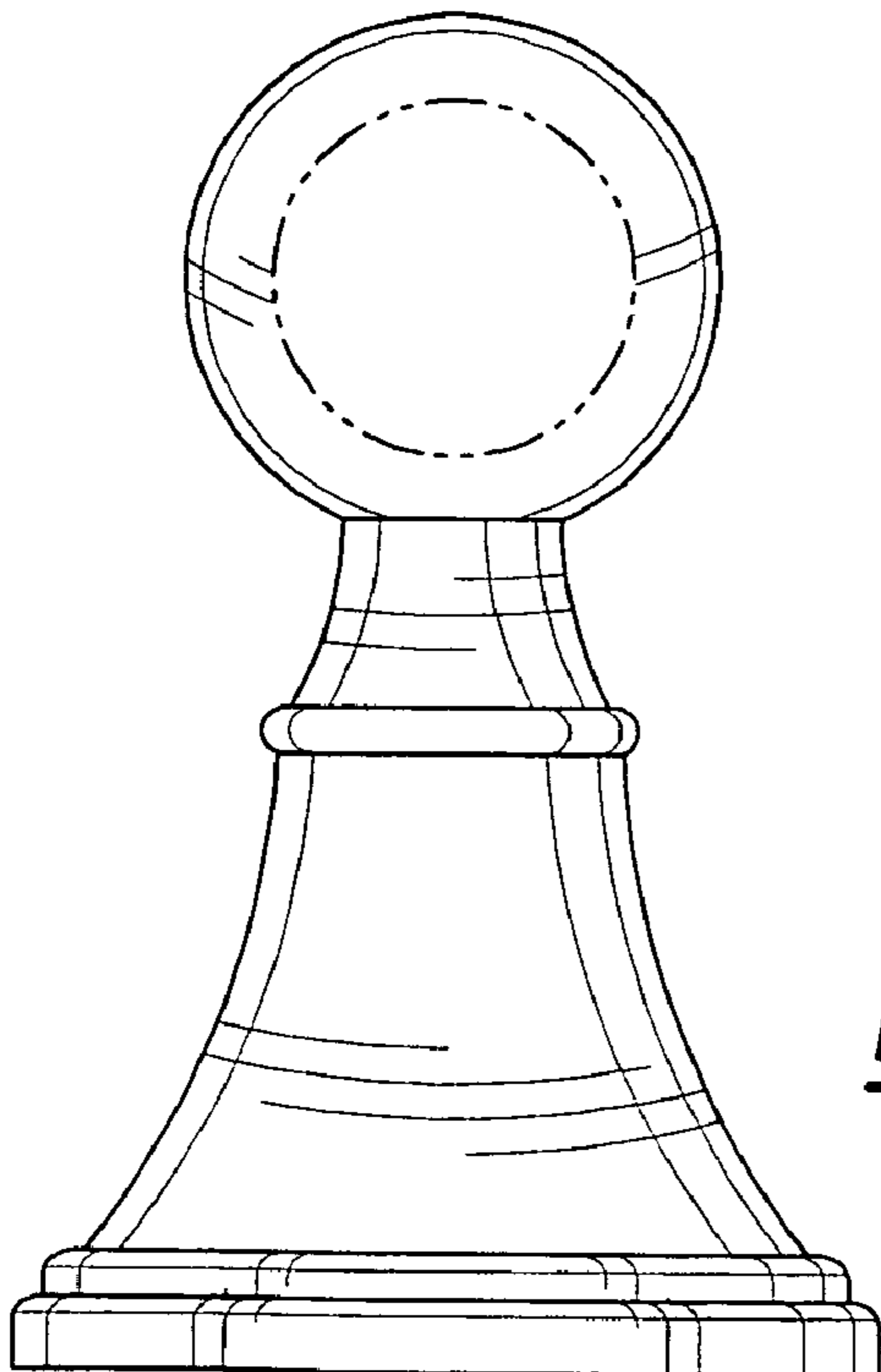


Fig-5