



US00D544268S

(12) **United States Design Patent**
Greenspon

(10) **Patent No.:** **US D544,268 S**

(45) **Date of Patent:** **** Jun. 12, 2007**

(54) **DISASSEMBLE PUMP HEAD FOR LIQUID SOAP**

D489,617 S * 5/2004 Snell D9/448
D495,032 S * 8/2004 Dretzka D23/238
D519,372 S * 4/2006 Hsieh D9/448

(75) Inventor: **Lawrence Greenspon**, Chicago, IL (US)

* cited by examiner

(73) Assignee: **LDR Industries Inc.**, Chicago, IL (US)

Primary Examiner—Brian N Vinson
(74) *Attorney, Agent, or Firm*—Troxell Law Office, PLLC

(**) Term: **14 Years**

(57) **CLAIM**

(21) Appl. No.: **29/217,845**

The ornamental design for a disassemble pump head for liquid soap, as shown and described.

(22) Filed: **Nov. 24, 2004**

(51) **LOC (8) Cl.** **23-02**

(52) **U.S. Cl.** **D6/542**

(58) **Field of Classification Search** D6/542-545;
221/282; 222/14, 173, 146.3, 628, 251, 181.1,
222/181.3; D9/682, 688, 690, 691, 448,
D9/449

See application file for complete search history.

DESCRIPTION

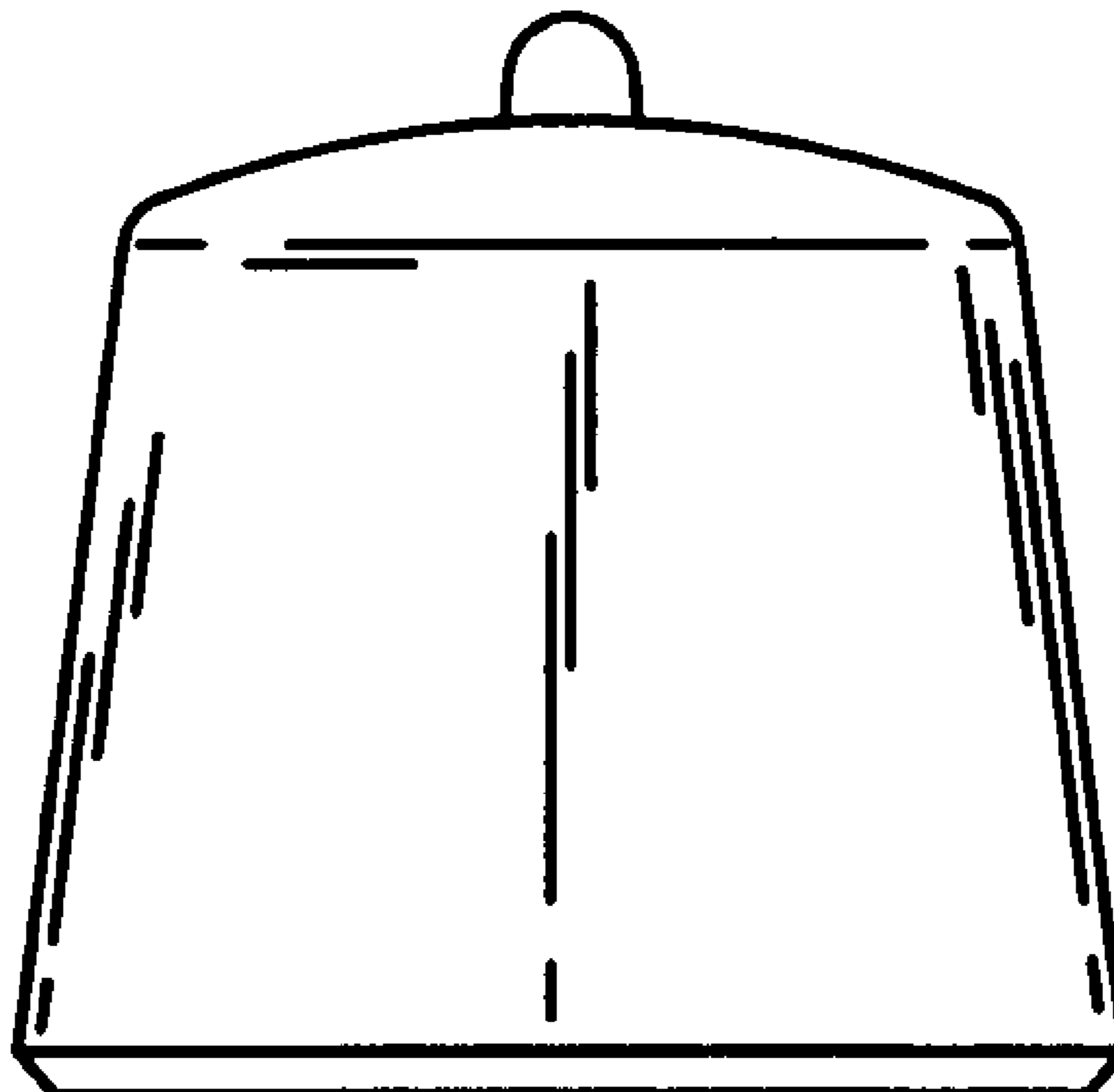
FIG. 1 is a front elevation view thereof.
FIG. 2 is a rear elevation view thereof.
FIG. 3 is a left side view thereof.
FIG. 4 is a right side view thereof.
FIG. 5 is a top plan view thereof.
FIG. 6 is a bottom plan view thereof.
FIG. 7 is a perspective view of a disassemble pump head for liquid soap showing my new design; and,
FIG. 8 shows one application of the present invention, where those indicated by dashed lines are not claimed in the present invention.

(56) **References Cited**

U.S. PATENT DOCUMENTS

D349,649 S * 8/1994 Hanna D9/448
D438,041 S * 2/2001 Huang D6/542
D451,735 S * 12/2001 Hanna D6/542
D466,588 S * 12/2002 Lord D6/542
D479,779 S * 9/2003 Zhao D6/542
D488,716 S * 4/2004 Dretzka D9/448

1 Claim, 5 Drawing Sheets



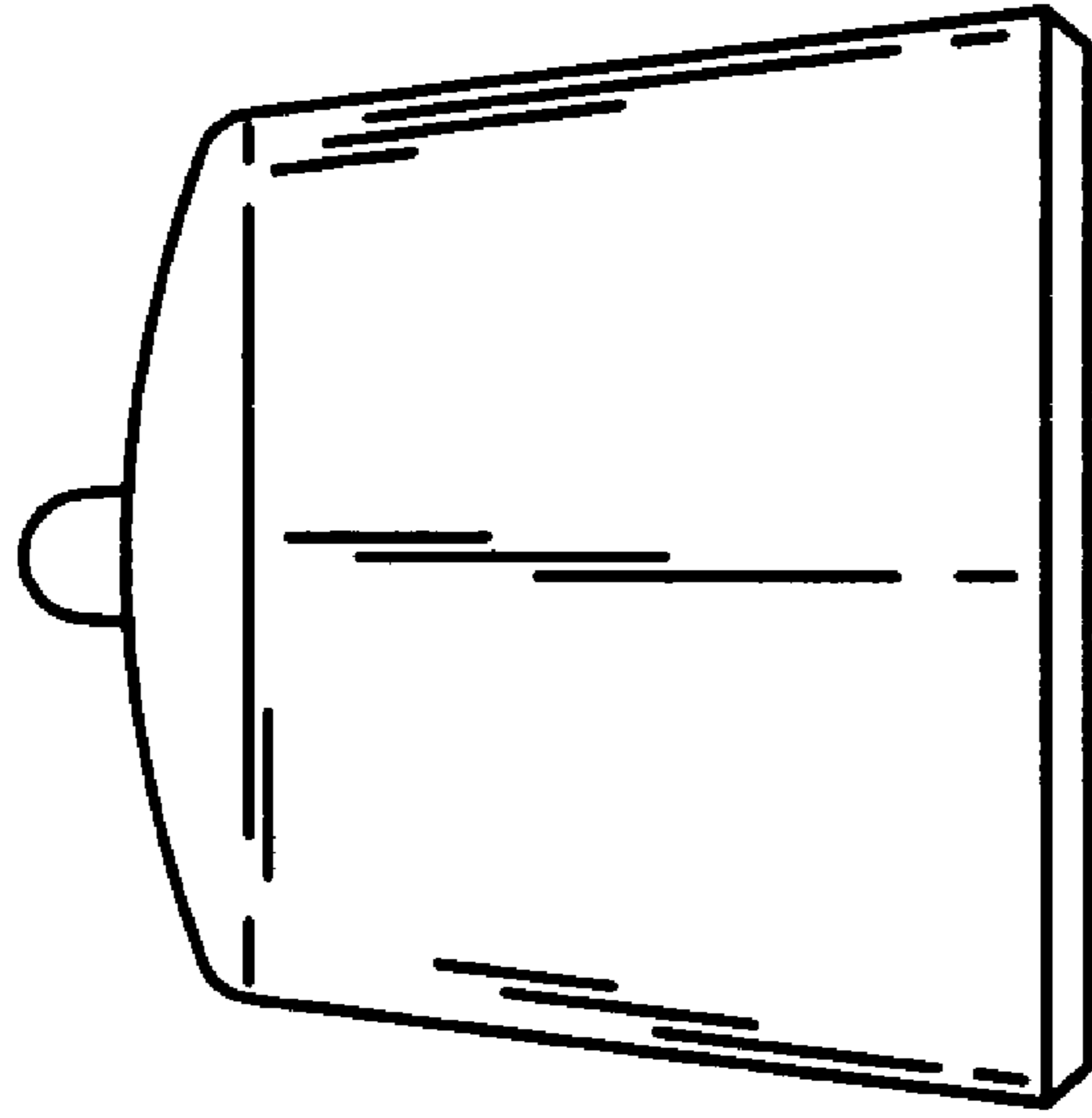


Fig. 1

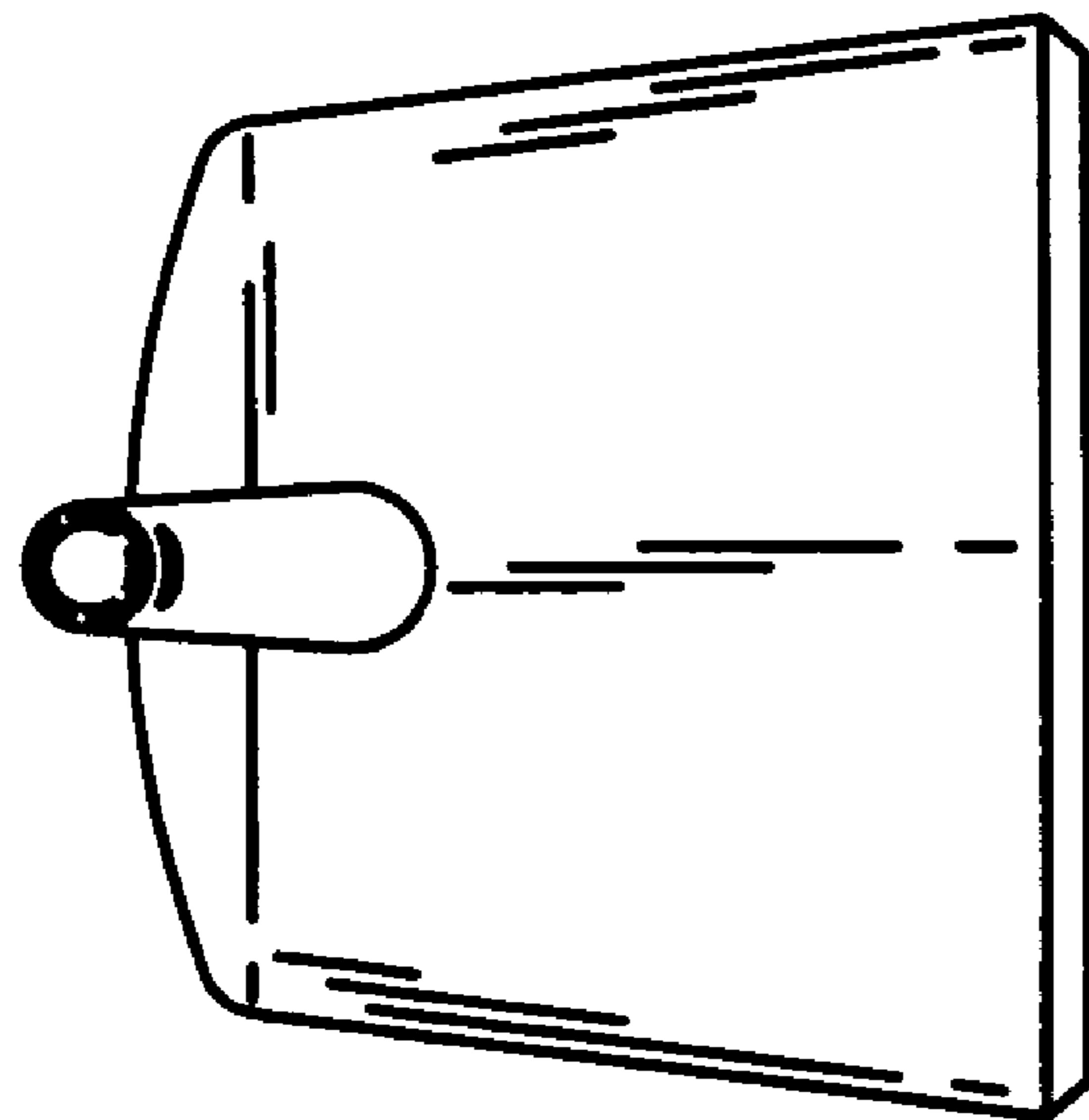


Fig. 2

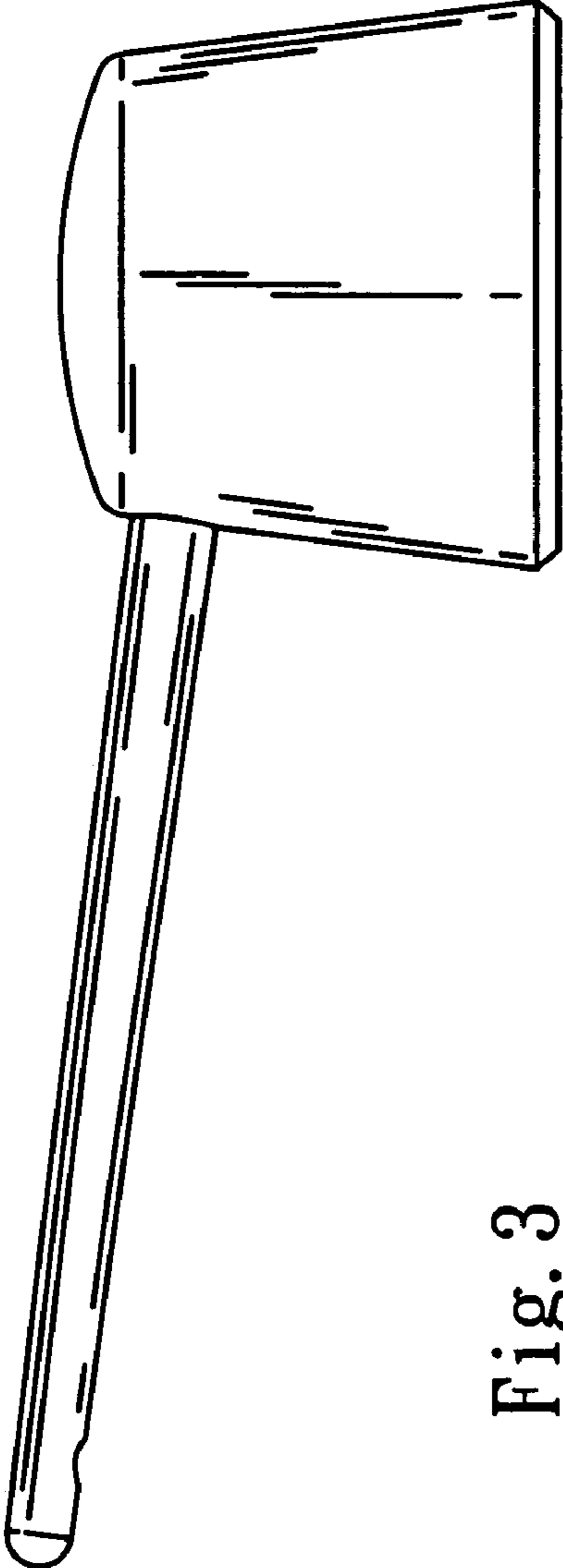


Fig. 3

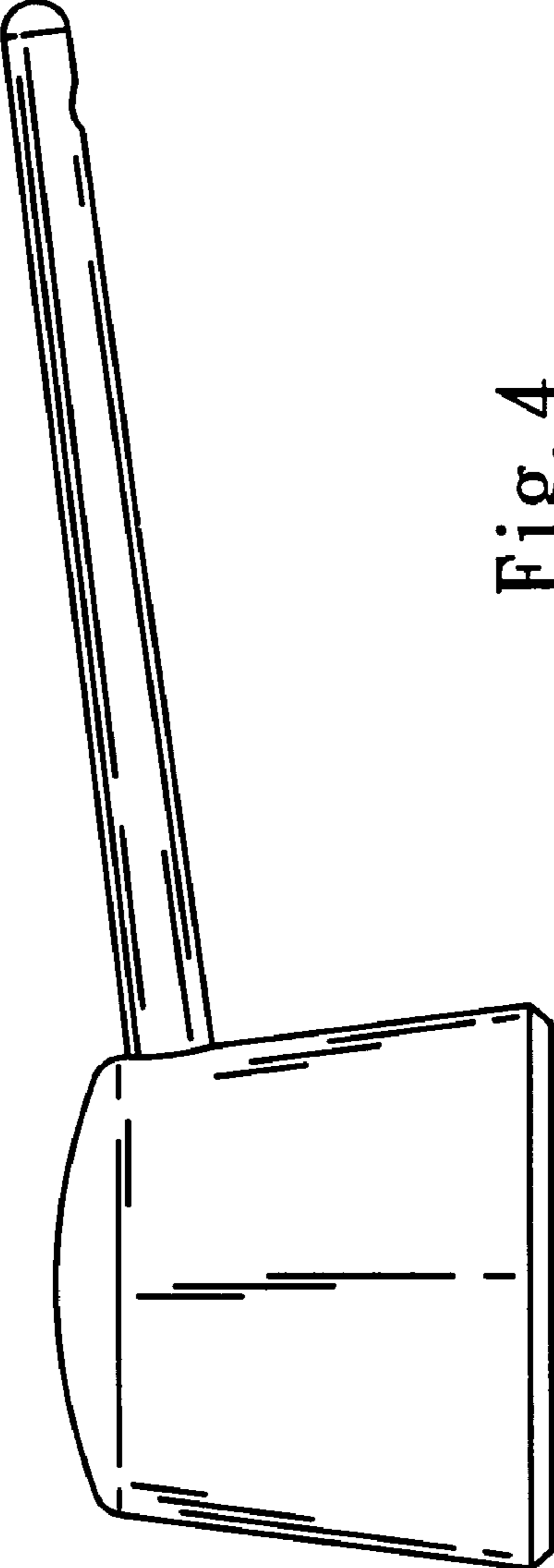


Fig. 4

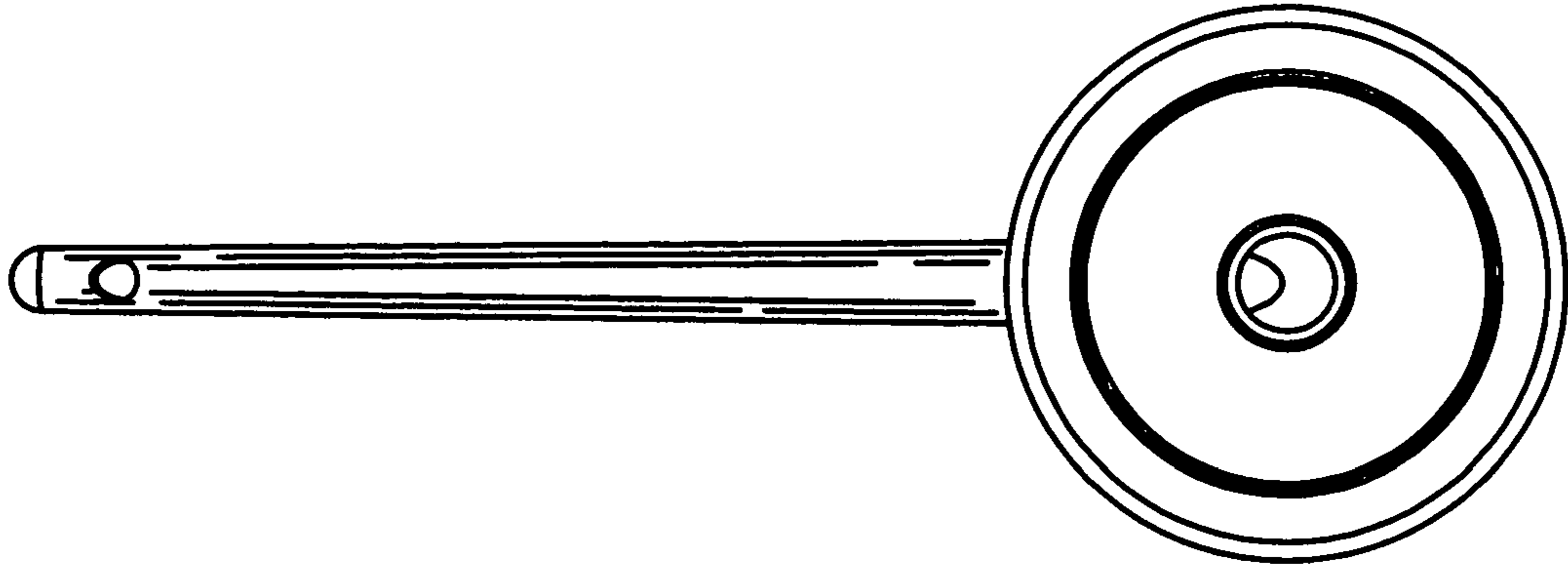


Fig. 6

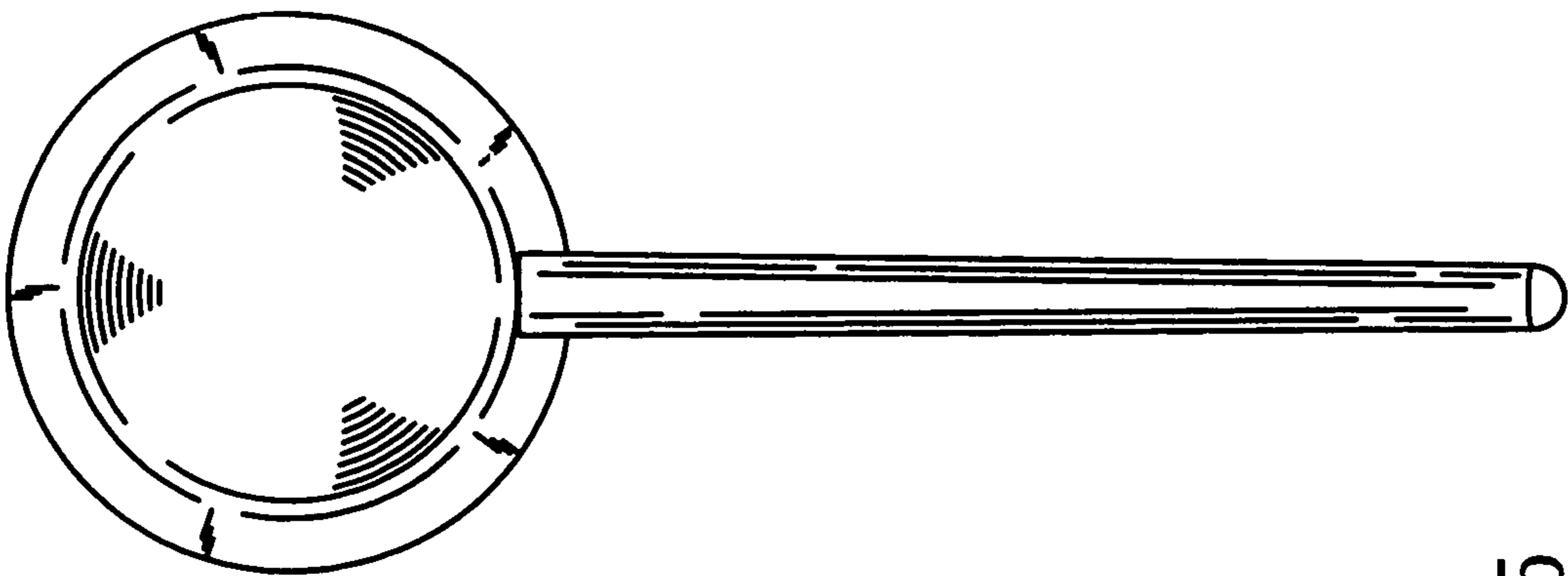


Fig. 5

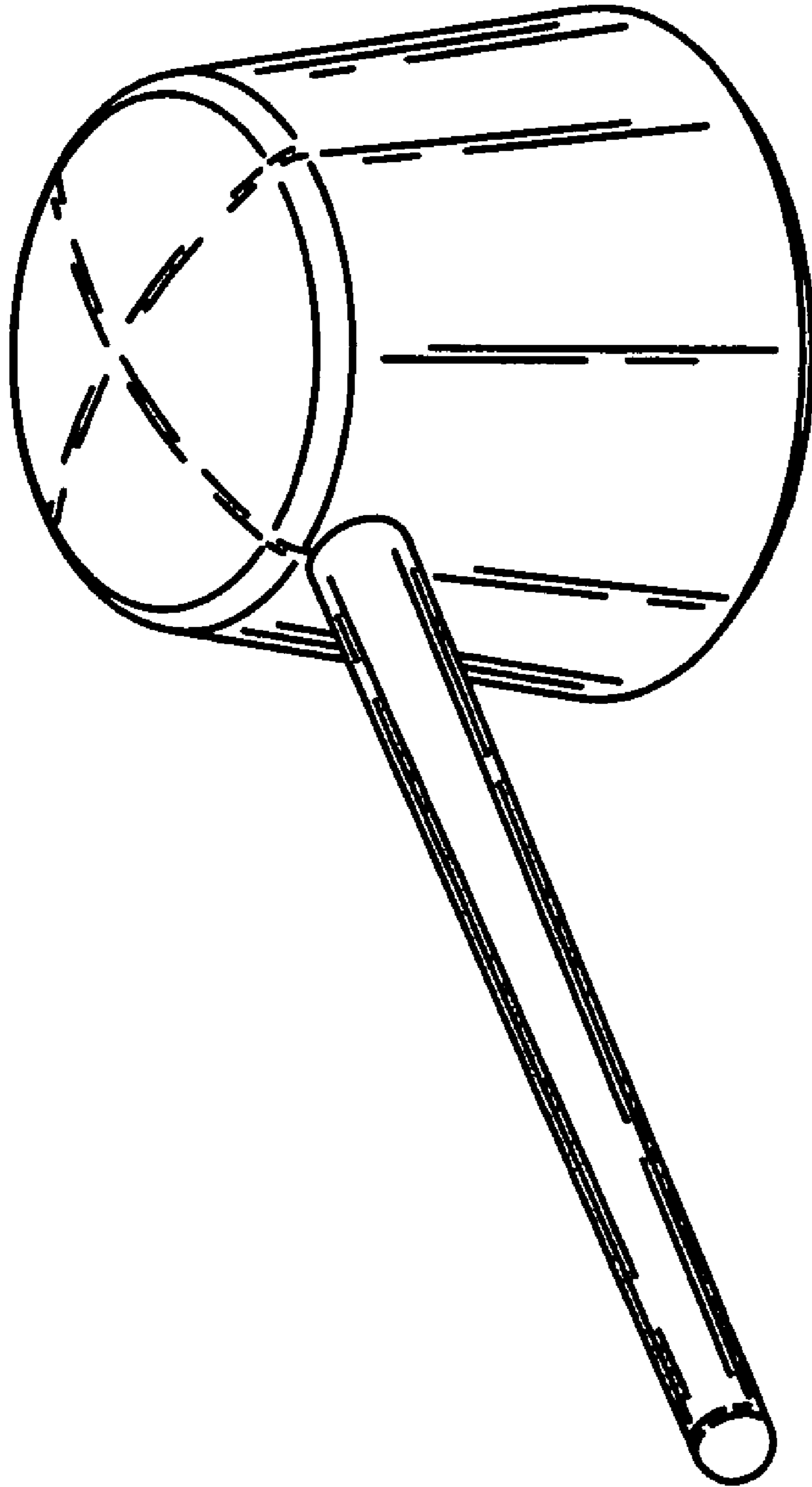


Fig. 7

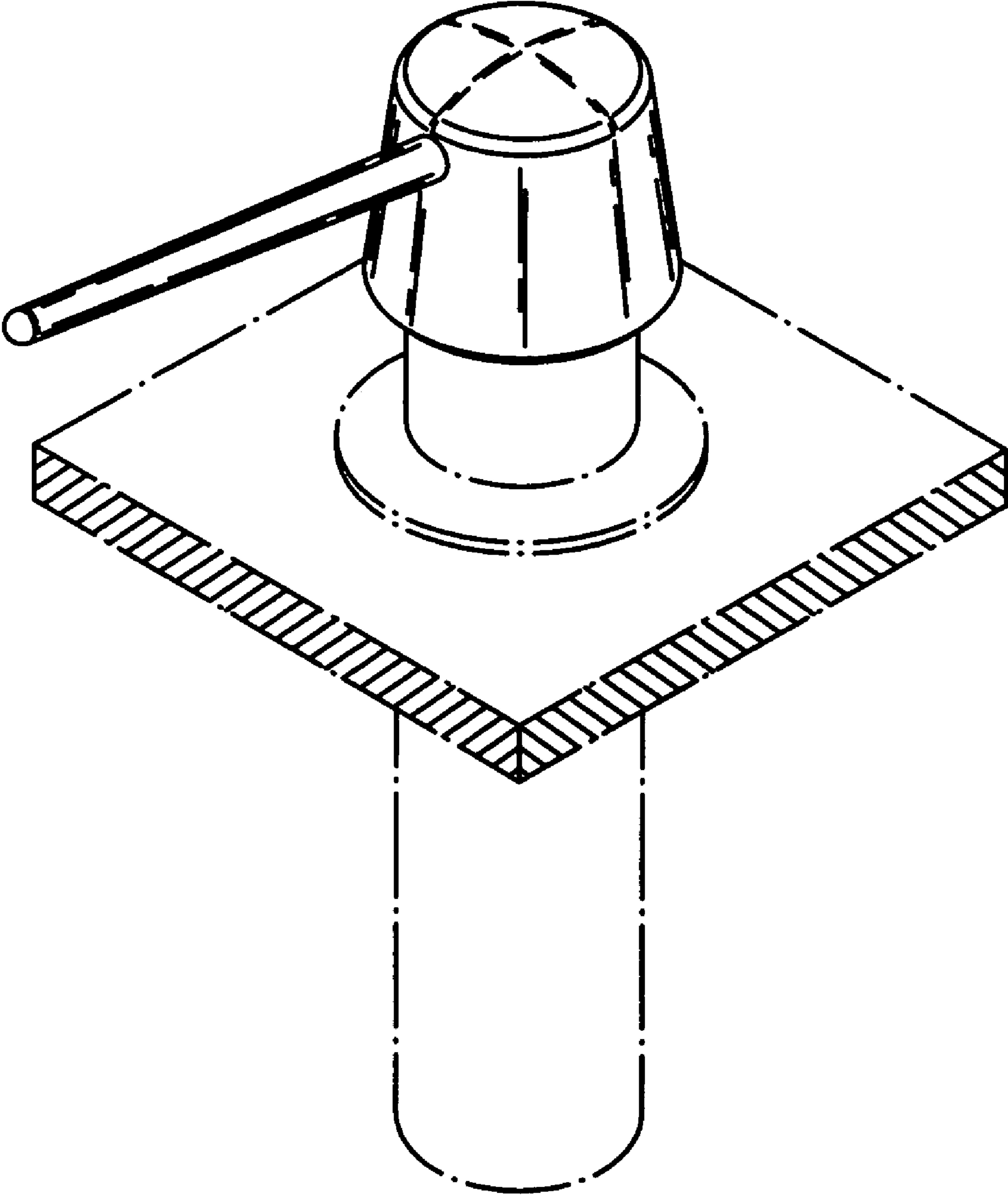


Fig. 8