

US00D544266S

(12) **United States Design Patent**
Wu

(10) **Patent No.:** **US D544,266 S**
(45) **Date of Patent:** **** Jun. 12, 2007**

- (54) **TOWEL HANGER BASE**
- (75) Inventor: **Shin-Wang Wu**, Taipei (TW)
- (73) Assignee: **Penta Hardware Co., Ltd.**, Taipei (TW)
- (**) Term: **14 Years**
- (21) Appl. No.: **29/242,004**
- (22) Filed: **Nov. 4, 2005**
- (51) **LOC (8) Cl.** **23-02**
- (52) **U.S. Cl.** **D6/524**
- (58) **Field of Classification Search** D6/546-550, D6/518-519, 522-524; D8/300, 303, 315-321, D8/354, 363, 373, 380; 108/28-29; 211/13.1, 211/16, 60.1, 86.01, 87.01, 88.01, 88.04, 211/100, 105.1-105.2, 123, 126.1, 133.6, 211/134, 181.1, 182; 248/175, 176.1, 200, 248/251, 302, 309.1; 16/110.1, 412, 415; 242/570, 590, 595-598; 206/389, 557
See application file for complete search history.

- (56) **References Cited**
U.S. PATENT DOCUMENTS
- D337,230 S * 7/1993 Wang D6/550
- D390,397 S * 2/1998 Chen D6/550
- D424,354 S * 5/2000 Duggan D6/550
- D431,948 S * 10/2000 Chen D6/524
- D449,948 S * 11/2001 Lai D6/524

- D449,950 S * 11/2001 Lai D6/524
- D465,955 S * 11/2002 Yen D6/550
- D466,347 S * 12/2002 Chen D6/550
- D466,350 S * 12/2002 Tai D6/550
- D469,292 S * 1/2003 Chen et al. D6/550
- D474,929 S * 5/2003 Lai D6/524
- D474,932 S * 5/2003 Lai D6/524
- D477,168 S * 7/2003 Greenspon D6/524
- D477,946 S * 8/2003 Ouano D6/524
- D484,720 S * 1/2004 Moore D6/524
- D492,525 S * 7/2004 Roberts et al. D6/524

* cited by examiner

Primary Examiner—Brian N Vinson
(74) *Attorney, Agent, or Firm*—Troxell Law Office, PLLC

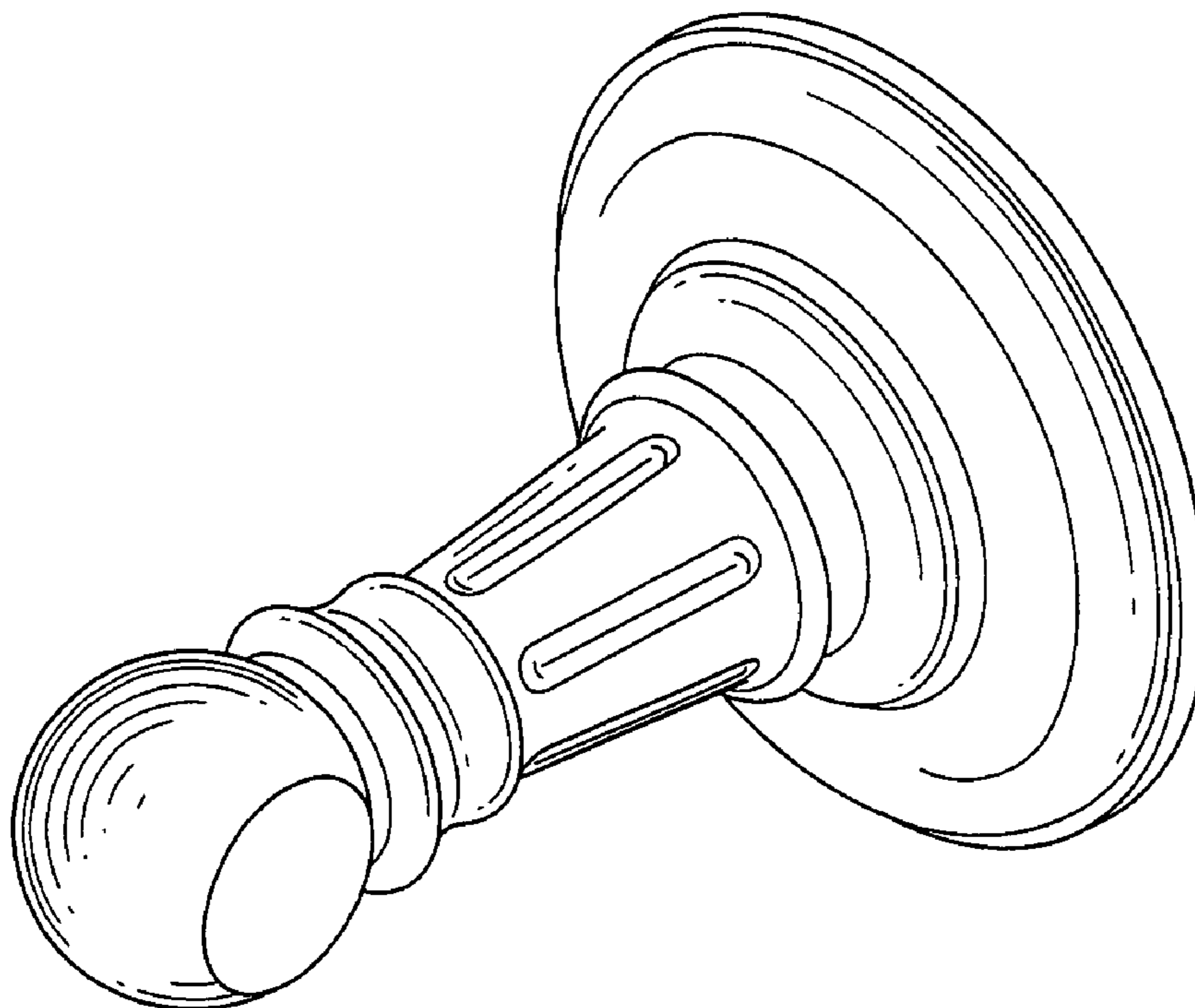
(57) **CLAIM**

The ornamental design for a towel hanger base, as shown and described.

DESCRIPTION

- FIG. 1 is a perspective view of a towel hanger base;
- FIG. 2 is a front view thereof;
- FIG. 3 is a back view thereof;
- FIG. 4 is a left side view thereof;
- FIG. 5 is a right side view thereof;
- FIG. 6 is a top view thereof; and,
- FIG. 7 is a bottom view thereof.

1 Claim, 4 Drawing Sheets



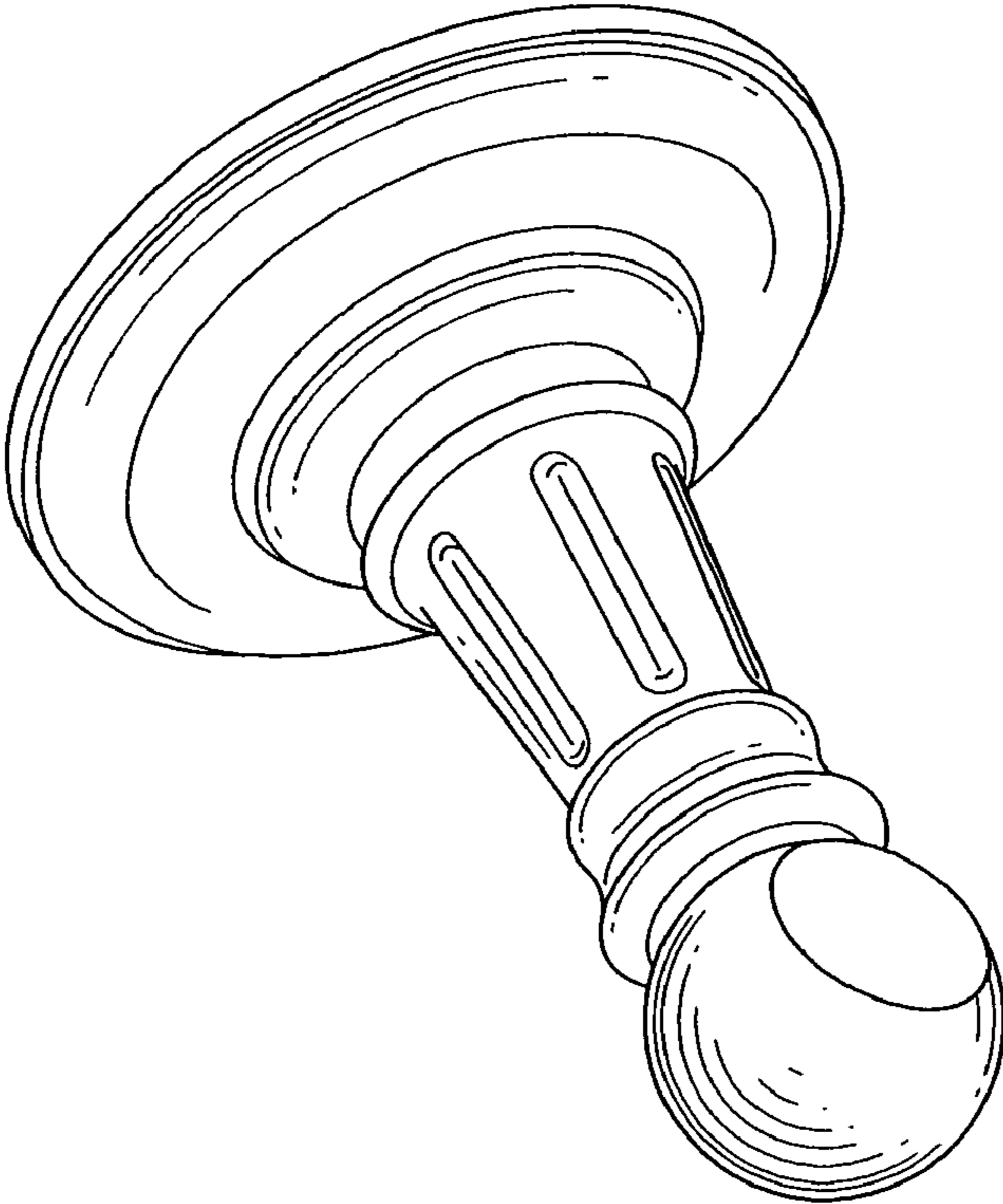


Fig.1

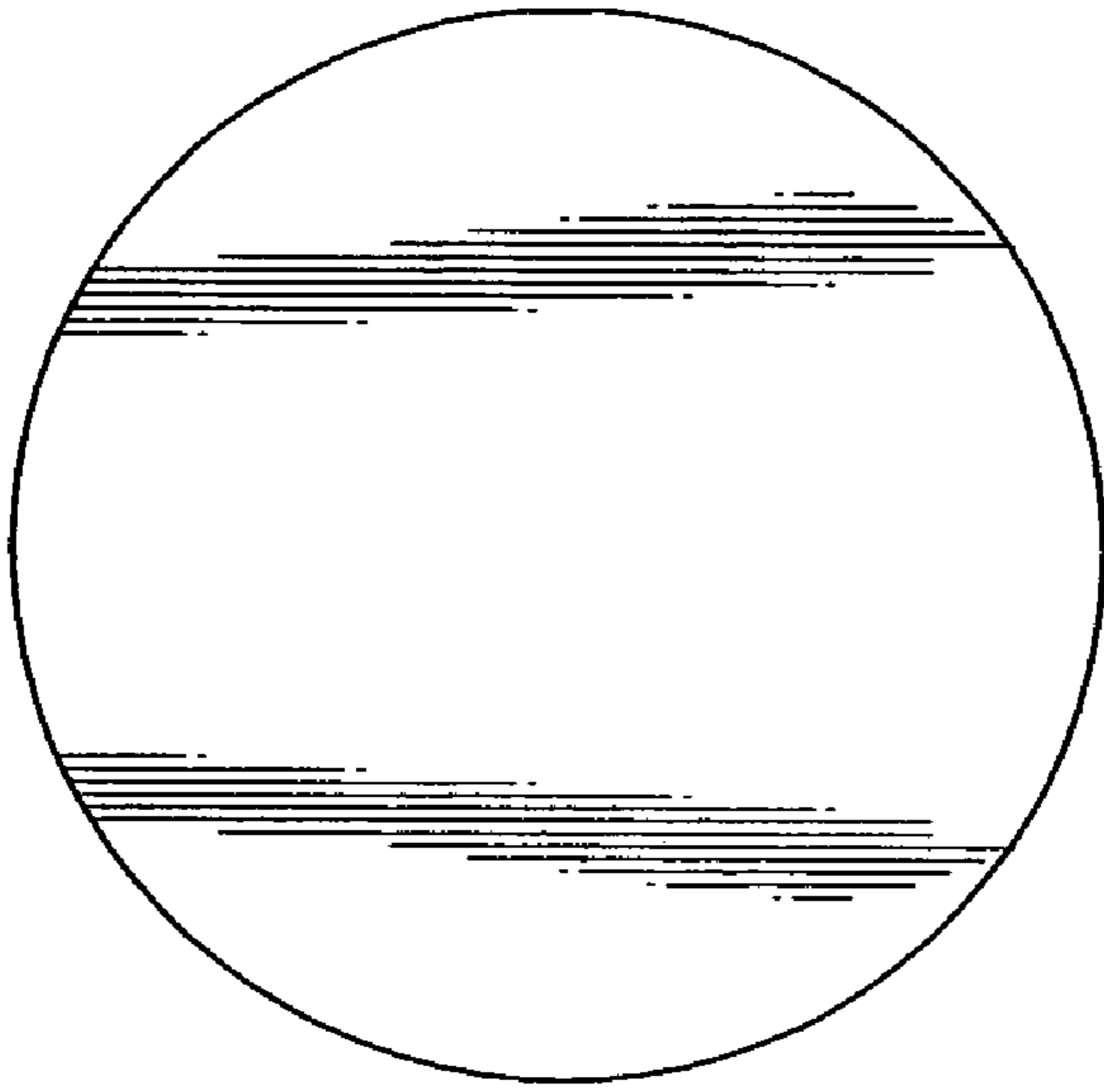


Fig. 3

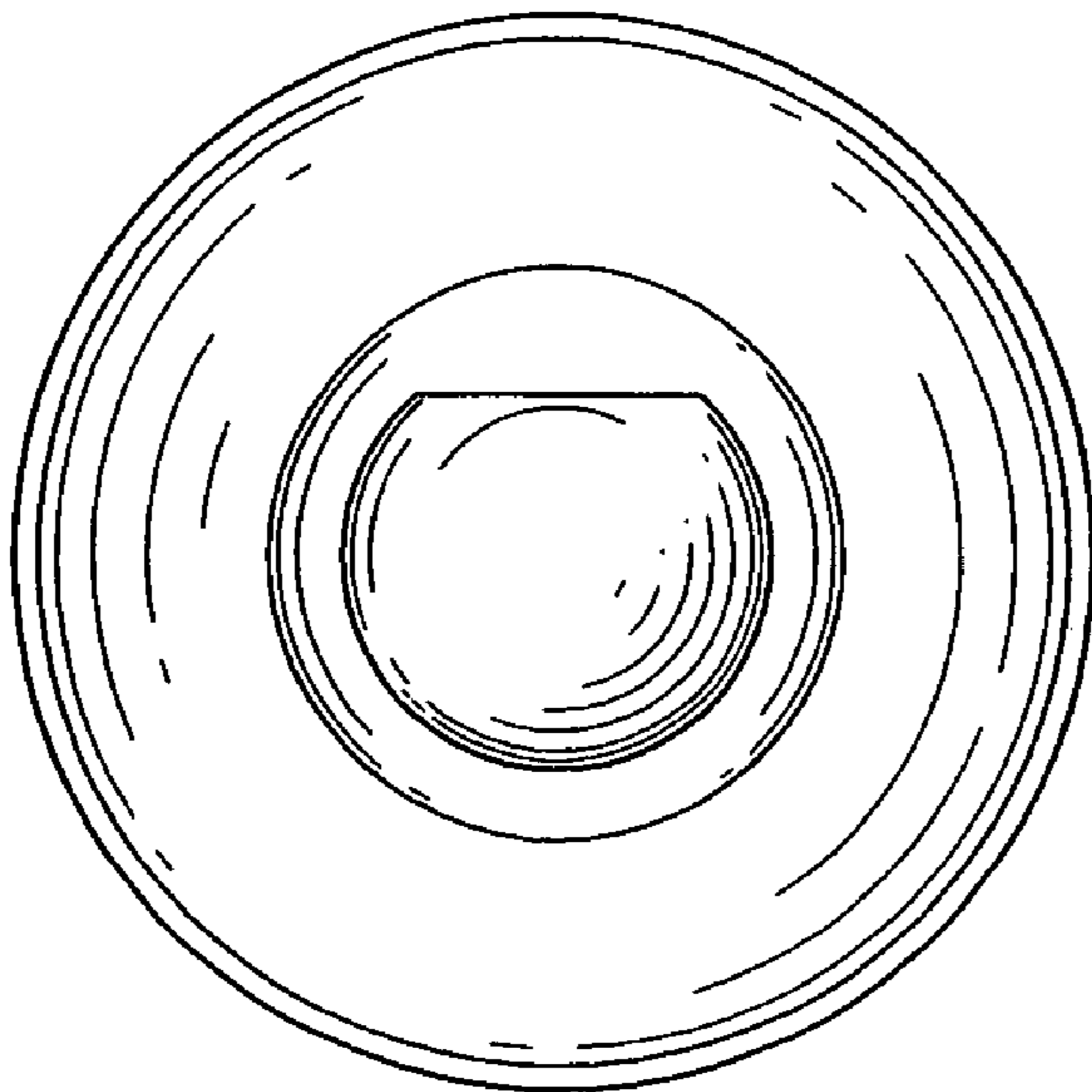


Fig. 2

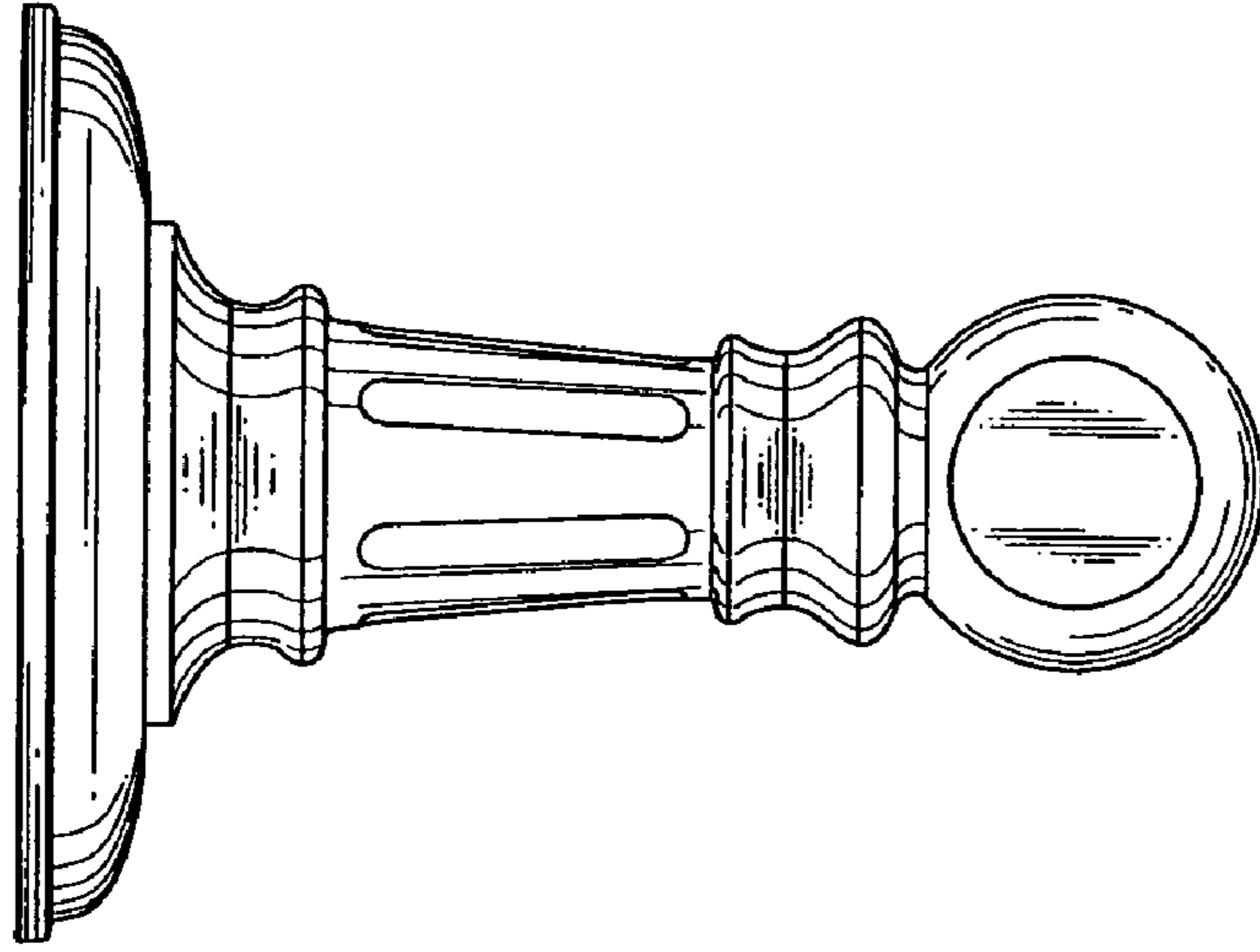


Fig. 5

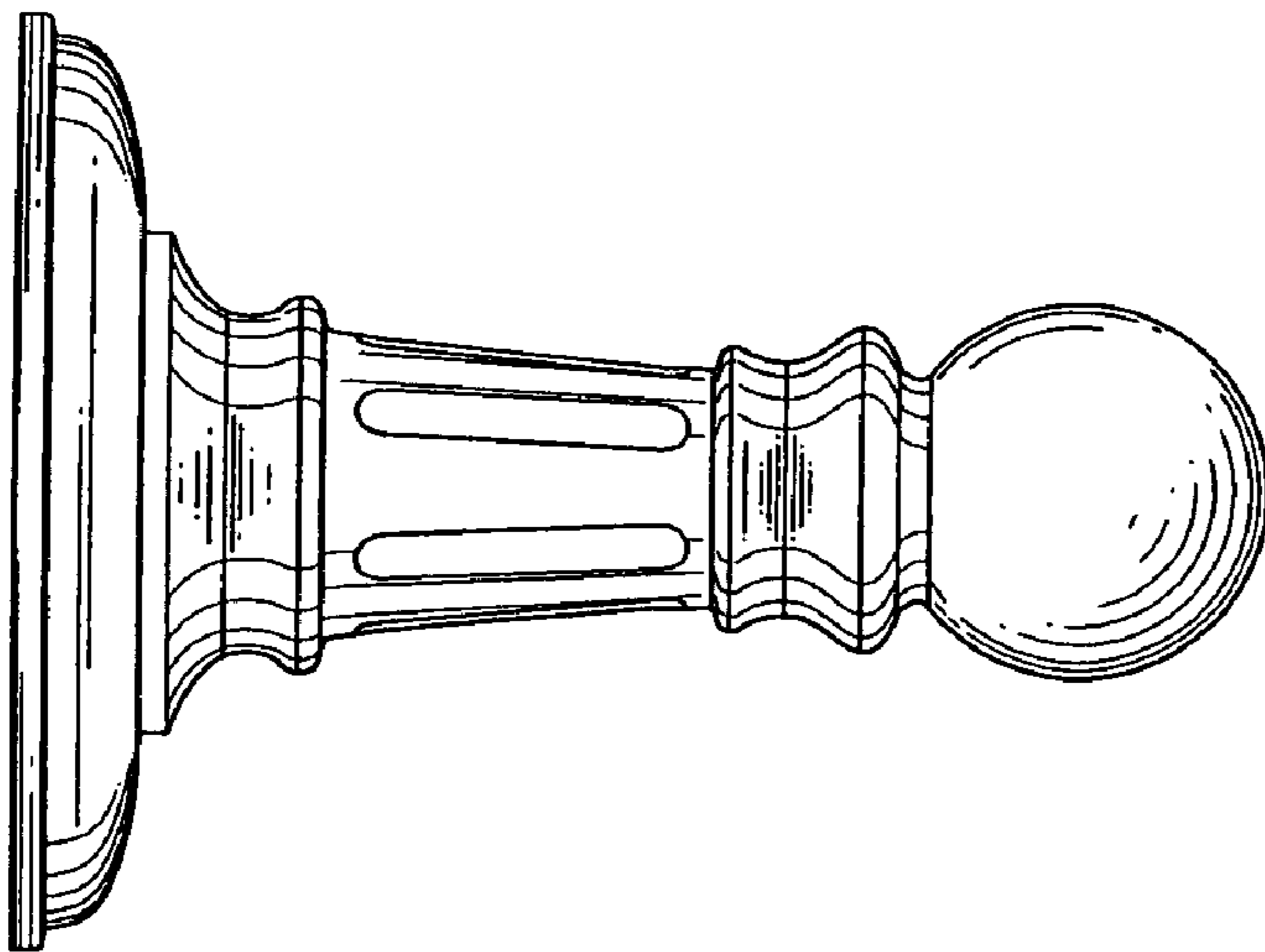


Fig. 4

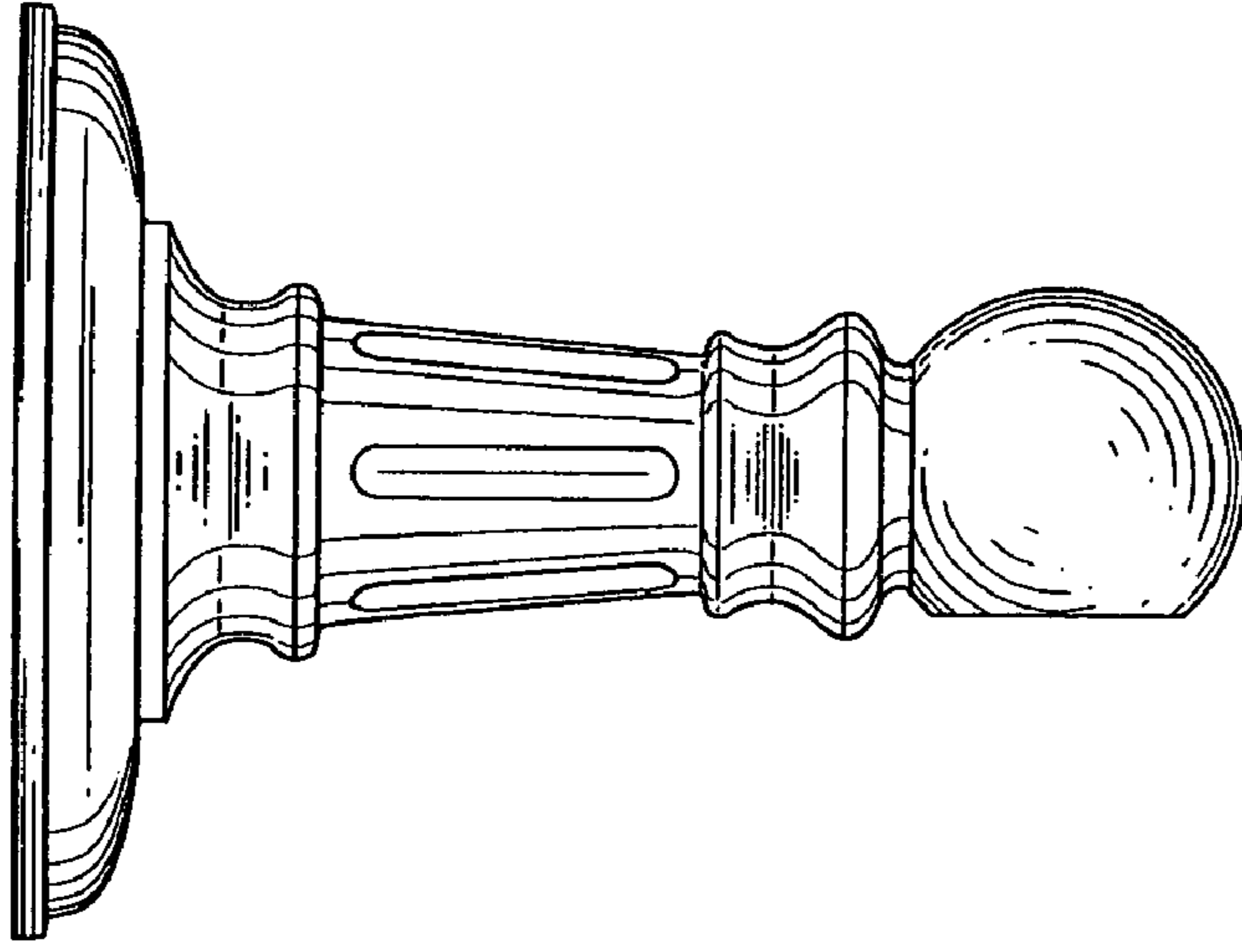


Fig. 7

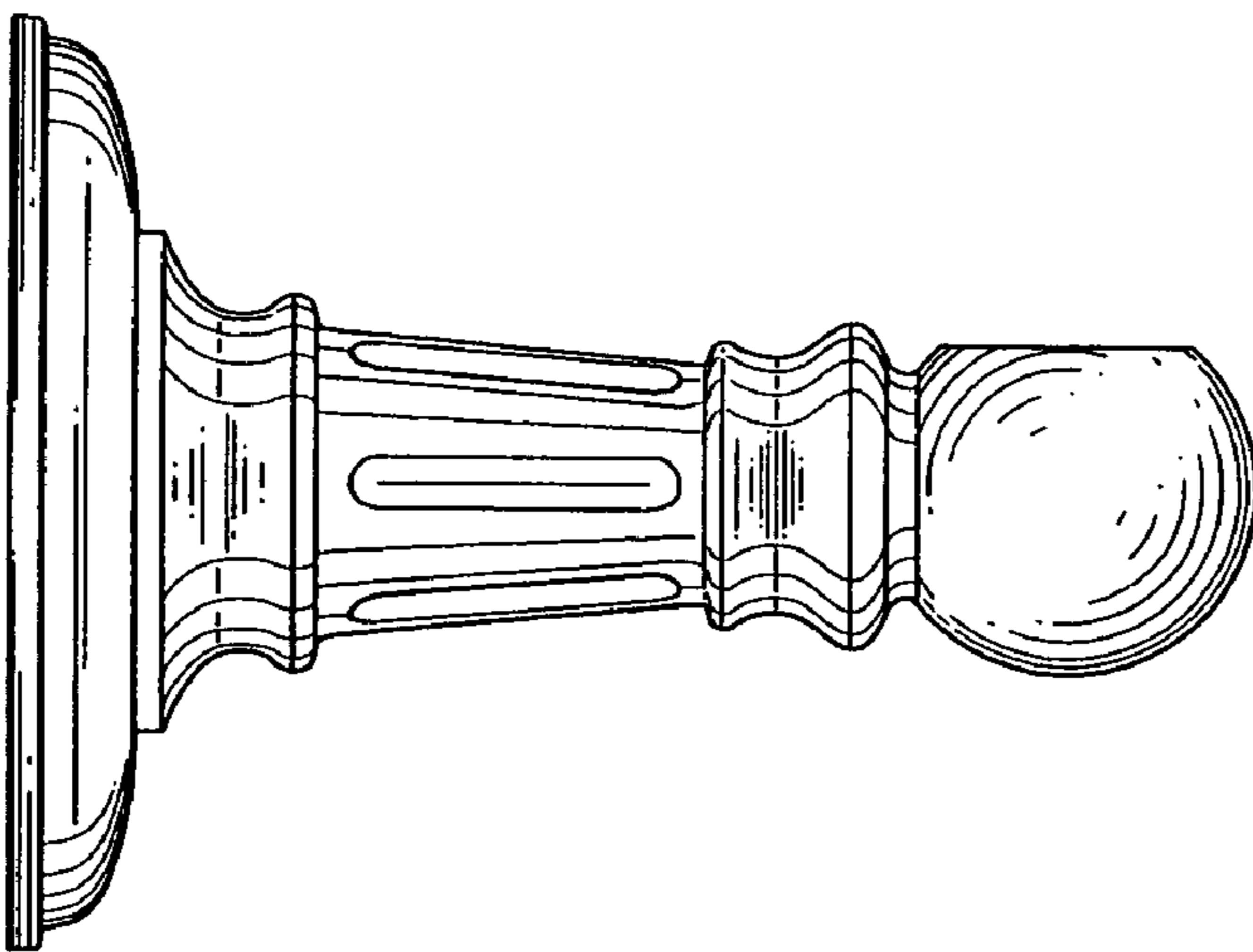


Fig. 6