

US00D544261S

(12) **United States Design Patent**  
**Nawrocki**

(10) **Patent No.:** **US D544,261 S**

(45) **Date of Patent:** **\*\* Jun. 12, 2007**

(54) **SHELF FENCE**

(75) Inventor: **John Richard Nawrocki**, Ocala, FL  
(US)

(73) Assignee: **Clairson, Inc.**, Newark, DE (US)

(\*\*) Term: **14 Years**

(21) Appl. No.: **29/242,743**

(22) Filed: **Nov. 14, 2005**

(51) **LOC (8) Cl.** ..... **06-06**

(52) **U.S. Cl.** ..... **D6/511**

(58) **Field of Classification Search** ..... D6/553,  
D6/566, 567, 574, 511; 211/13.1, 32, 41.3,  
211/41.4, 86.01, 87.01, 90.01, 90.03, 126.9,  
211/134, 181.1; 108/28-29; 248/235, 309.1  
See application file for complete search history.

(56) **References Cited**

**U.S. PATENT DOCUMENTS**

3,145,850	A	8/1964	Ciborowski	
3,608,741	A	9/1971	Schray	
3,827,574	A	8/1974	Craig, Sr.	
4,437,572	A	3/1984	Hoffman	
4,729,485	A	3/1988	Kulbersh	
4,917,248	A	4/1990	Friskney	
D349,000	S *	7/1994	Rogers et al.	D6/511
D352,195	S *	11/1994	Rogers et al.	D6/511
D354,864	S *	1/1995	Kokenge et al.	D6/511
5,405,026	A *	4/1995	Lee et al.	211/181.1
5,437,380	A	8/1995	Peay et al.	
5,836,461	A *	11/1998	Kokenge et al.	211/90.03
D419,344	S *	1/2000	Greene	D6/511
D427,466	S *	7/2000	Remmers	D6/511
D437,515	S *	2/2001	Remmers et al.	D6/511
6,341,704	B1	1/2002	Michel, Jr.	
7,004,335	B2 *	2/2006	Remmers	211/90.03
D527,559	S *	9/2006	Remmers	D6/511
D527,935	S *	9/2006	Remmers	D6/511

\* cited by examiner

*Primary Examiner*—Brian N Vinson

(74) *Attorney, Agent, or Firm*—Harness, Dickey & Pierce, P.L.C.

(57) **CLAIM**

The ornamental design for a shelf fence, as shown and described.

**DESCRIPTION**

FIG. 1 is a perspective view of a shelf fence, showing my new design;

FIG. 1A is another perspective view of the shelf fence shown in FIG. 1;

FIG. 2 is a back perspective view of the shelf fence shown in FIG. 1;

FIG. 3 is a right side elevation view of the shelf fence shown in FIG. 1;

FIG. 4 is a left side elevation view of the shelf fence shown in FIG. 1;

FIG. 5 is a front elevation view of the shelf fence shown in FIG. 1;

FIG. 6 is a back elevation view of the shelf fence shown in FIG. 1;

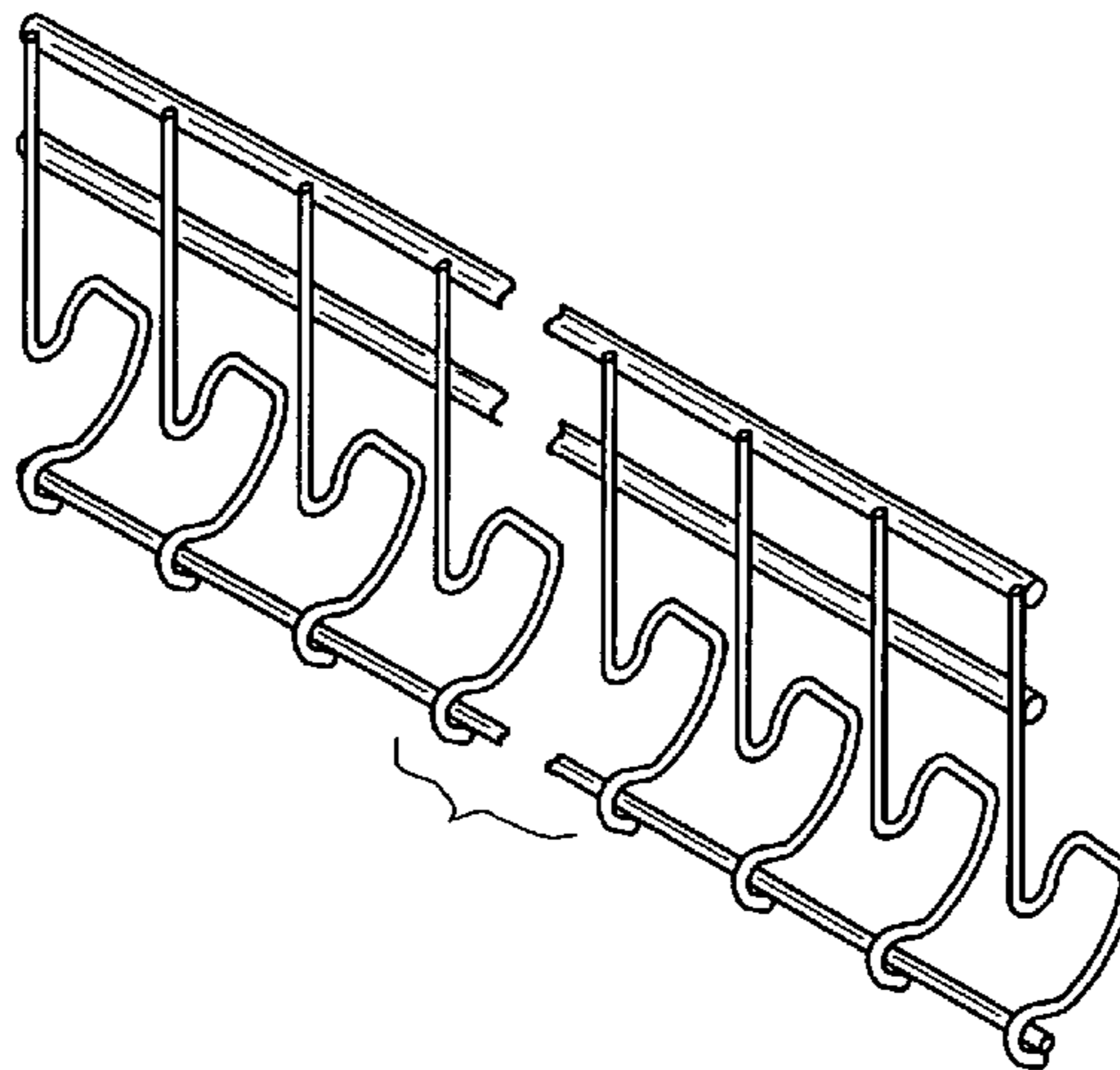
FIG. 7 is a top plan view of the shelf fence shown in FIG. 1;

FIG. 8 is a bottom plan view of the shelf fence shown in FIG. 1; and,

FIG. 9 is a perspective view showing one embodiment of my shelf fence attached to an exemplary wire shelf.

The details shown in broken lines are for illustrative purposes only and form no part of the claimed design. In FIGS. 1-2 and 5-8, the separation and bracket are used to indicate indeterminate length, as the shelf fence can be shorter or longer and include more or less generally vertical components than shown in the figures. It is understood that the portion of the shelf fence shown in the figures may be shortened or lengthened indeterminately in either or both directions.

**1 Claim, 4 Drawing Sheets**



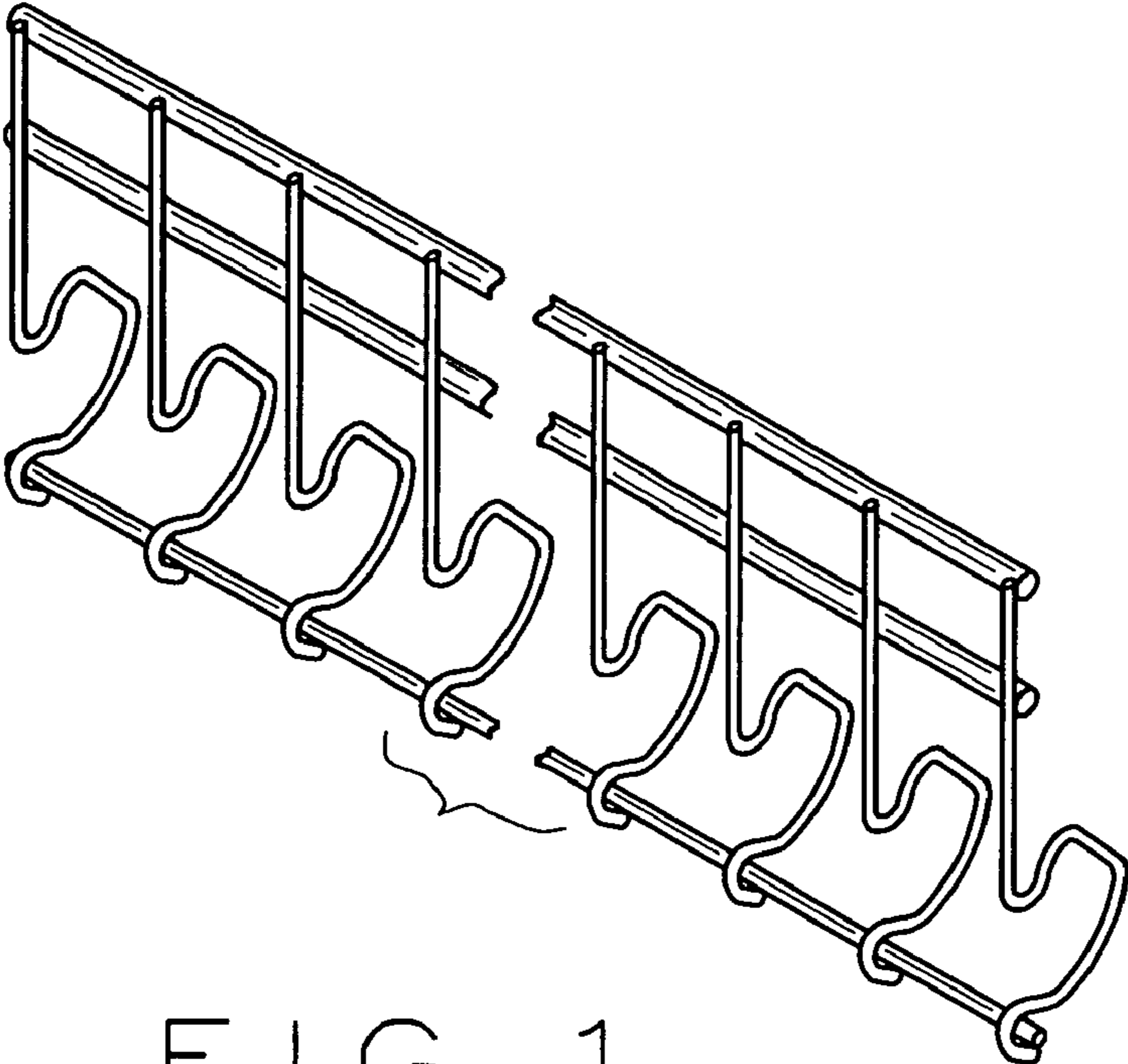


FIG. 1

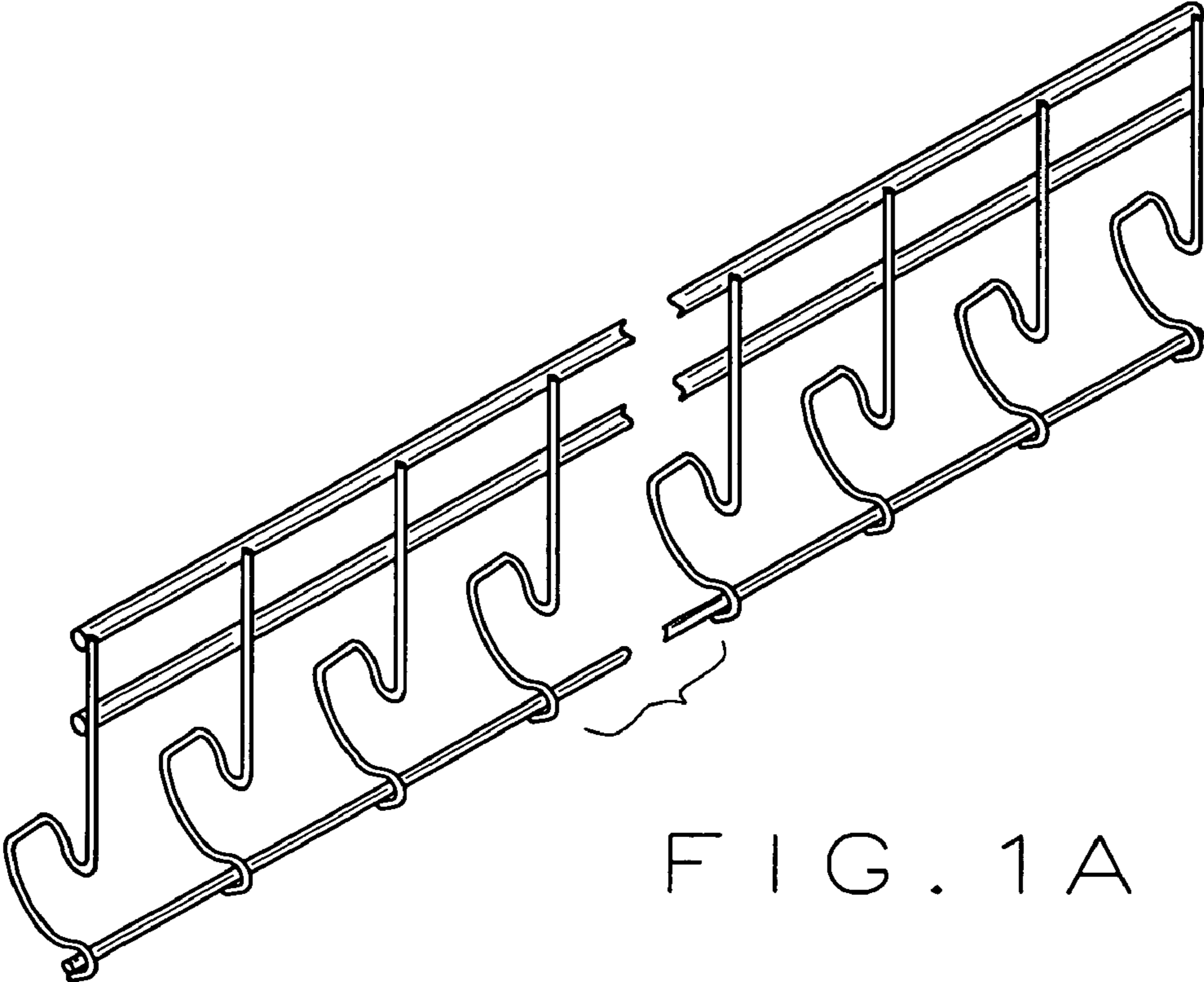


FIG. 1A

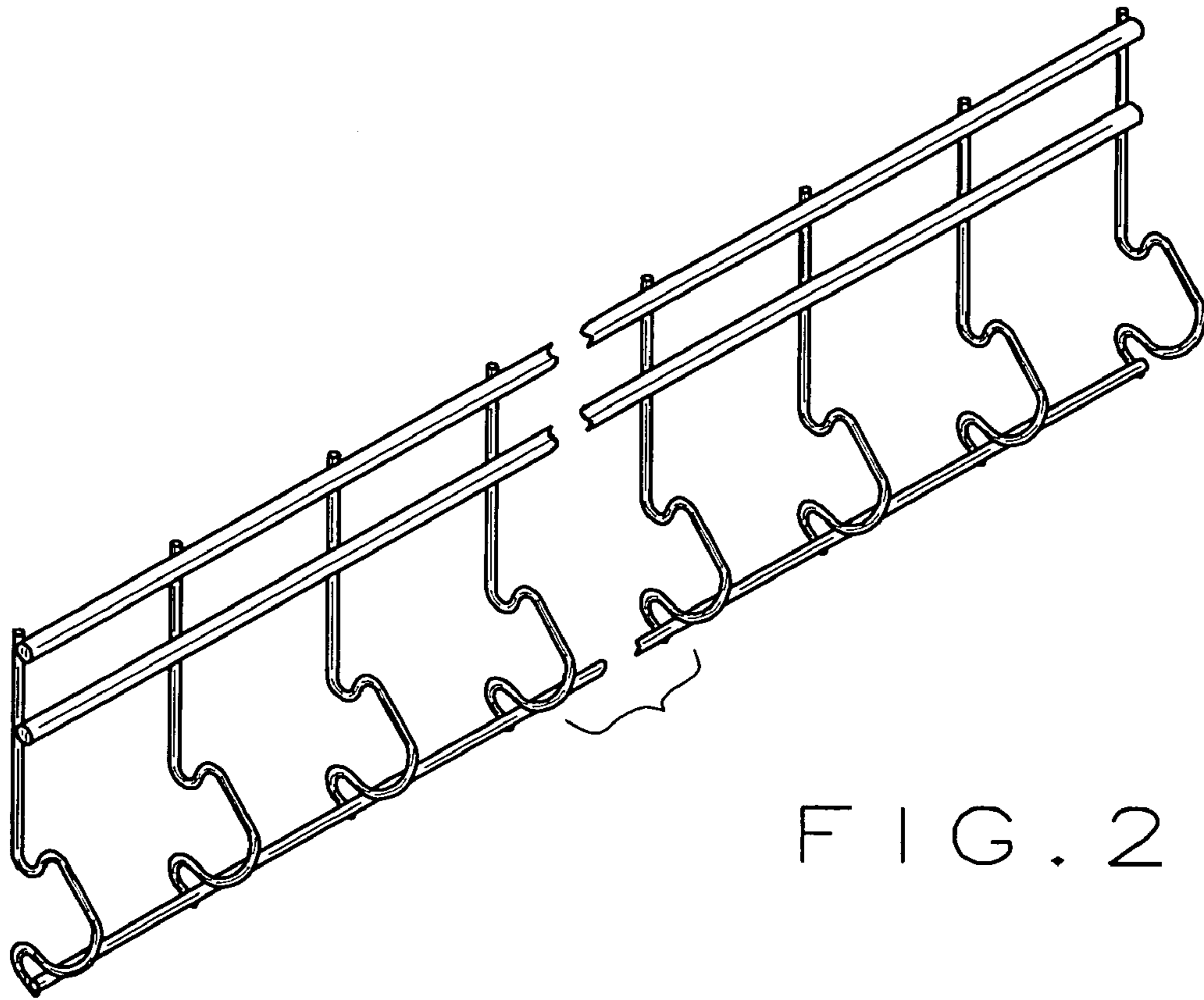


FIG. 2

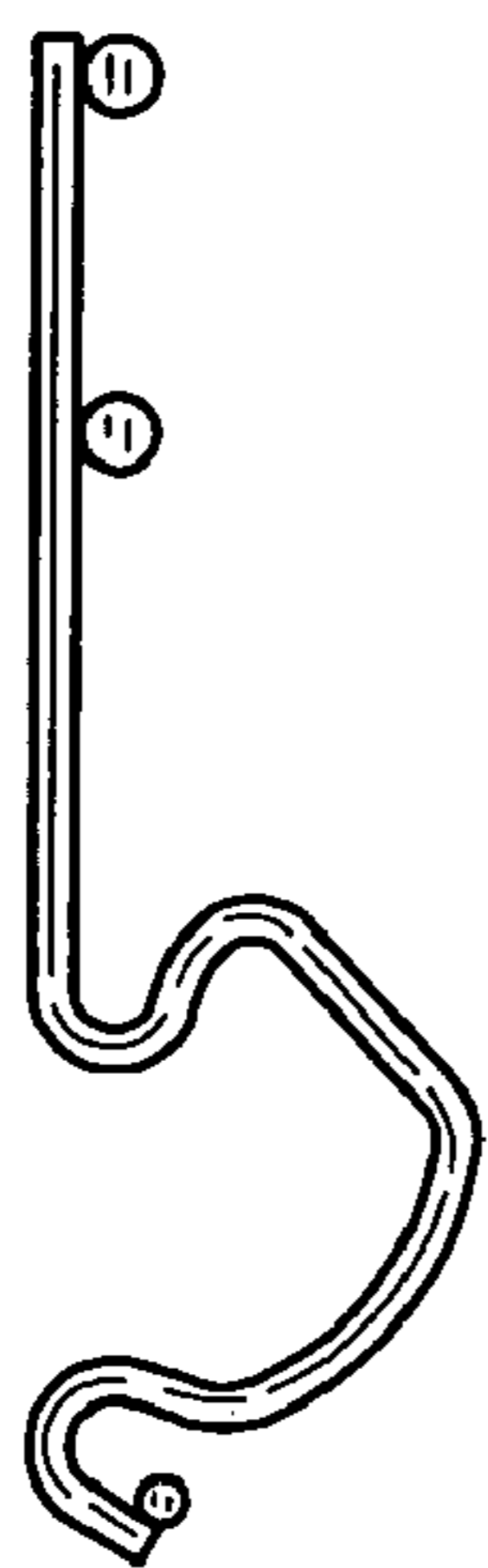


FIG. 3

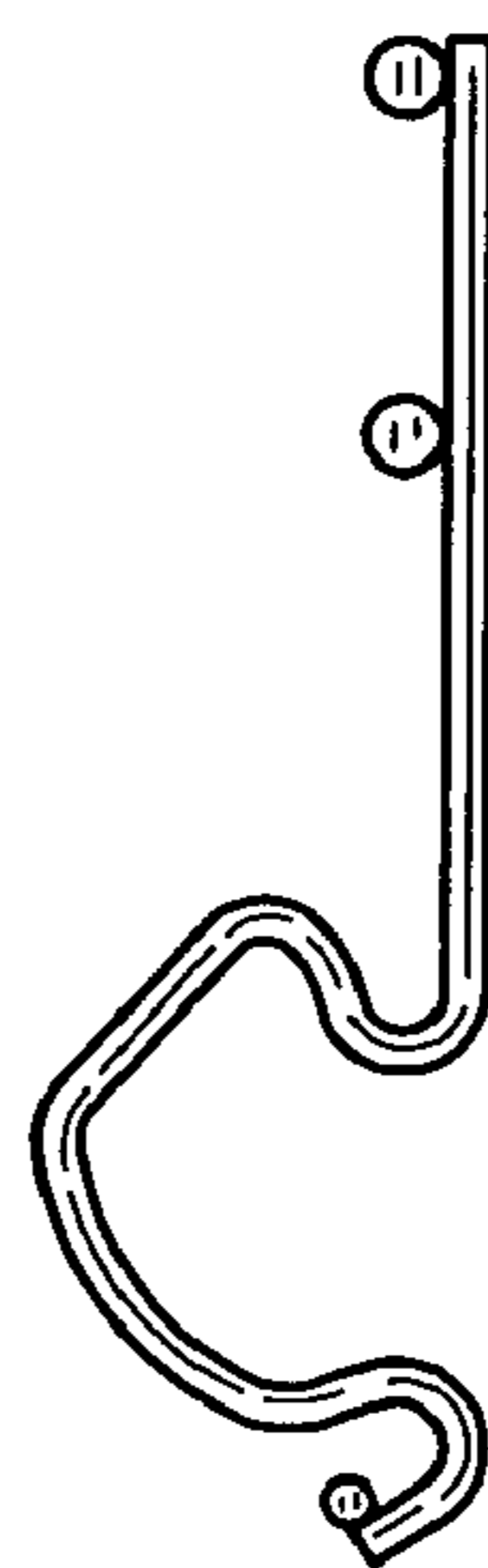


FIG. 4

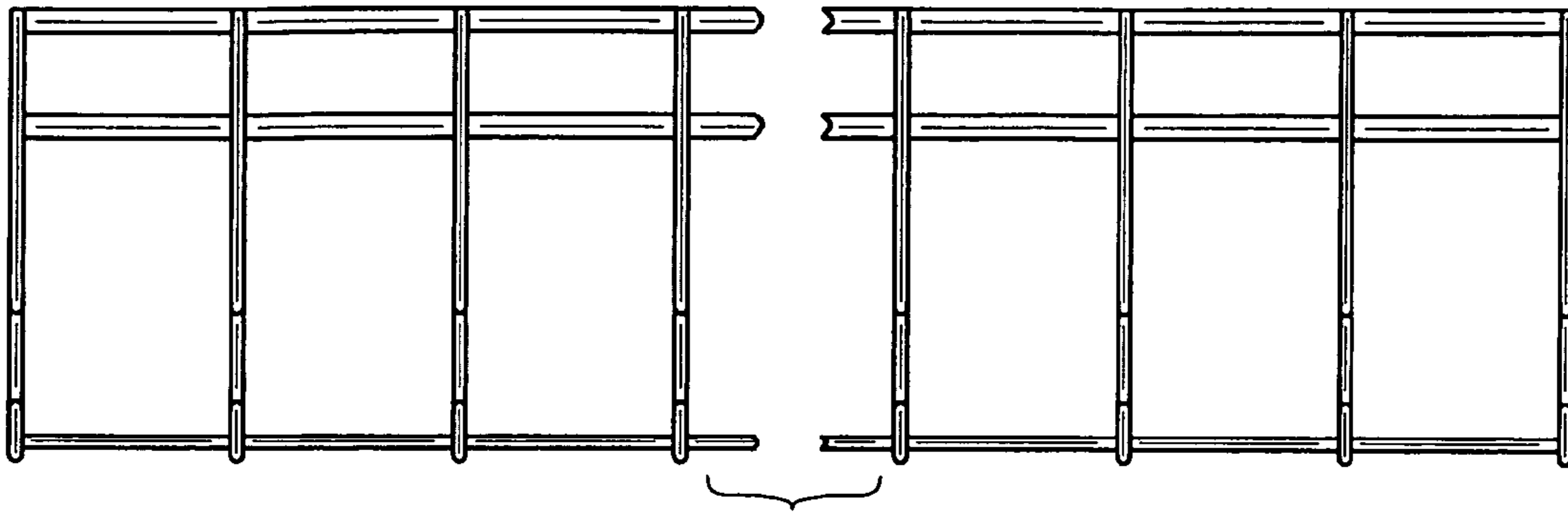


FIG. 5

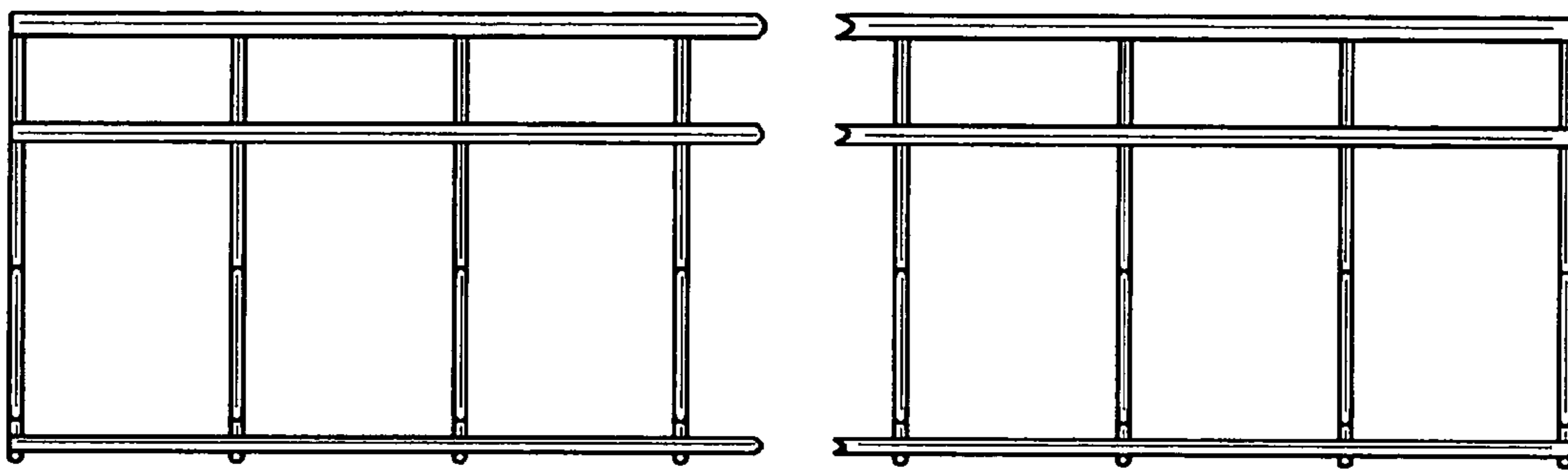


FIG. 6

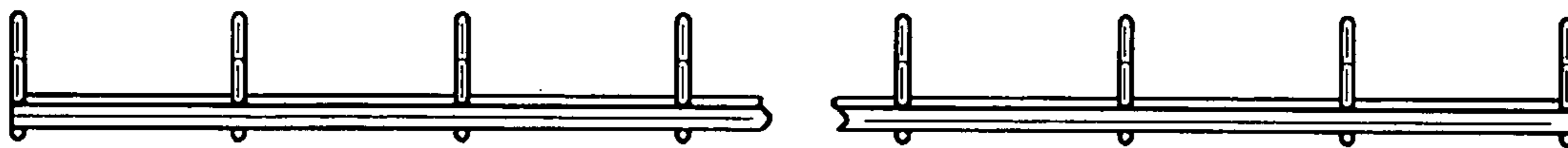


FIG. 7

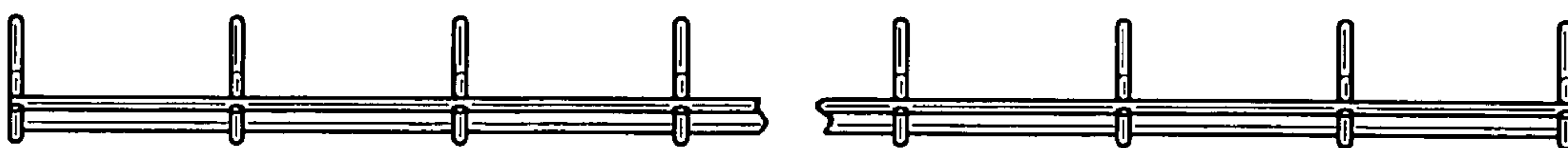


FIG. 8



