

US00D544259S

(12) **United States Design Patent**
Schmidt et al.

(10) **Patent No.:** **US D544,259 S**
(45) **Date of Patent:** **** Jun. 12, 2007**

(54) **MODULAR DRAWERS**

(75) Inventors: **Duane A. Schmidt**, Newburgh, IN (US); **Allan R. Steinkuhl**, Evansville, IN (US); **Joseph L. Coleman**, Evansville, IN (US)

(73) Assignee: **Whirlpool Corporation**, Benton Harbor, MI (US)

(**) Term: **14 Years**

(21) Appl. No.: **29/252,075**

(22) Filed: **Jan. 18, 2006**

Related U.S. Application Data

(62) Division of application No. 29/237,975, filed on Sep. 8, 2005, now Pat. No. Des. 520,784.

(51) **LOC (8) Cl.** **06-06**

(52) **U.S. Cl.** **D6/510**

(58) **Field of Classification Search** D34/1, D34/12, 27; D14/189, 193; D6/432, 396, D6/441, 443, 446, 448, 509-510; 312/334.41, 312/334.46, 218
See application file for complete search history.

(56) **References Cited**

U.S. PATENT DOCUMENTS

4,787,556 A * 11/1988 Heisson 238/14
5,292,191 A * 3/1994 Slivon 312/332.1
D349,043 S * 7/1994 Carlson et al. D8/375
5,807,021 A * 9/1998 Aaron 404/19
D413,457 S * 9/1999 Verbeek et al. D6/445

D419,333 S * 1/2000 Verbeek et al. D6/445
D459,611 S * 7/2002 Lio et al. D6/432
D474,563 S * 5/2003 Bresciani D29/109
D491,585 S * 6/2004 Schmidt et al. D15/91
D495,912 S * 9/2004 Schmidt et al. D6/561
D497,921 S * 11/2004 Schmidt et al. D15/91
D500,059 S * 12/2004 Schmidt et al. D15/91

* cited by examiner

Primary Examiner—Holly H. Baynham

(74) *Attorney, Agent, or Firm*—Stephen Krefman; Robert O. Rice; John F. Colligan

(57) **CLAIM**

The ornamental design for modular drawers, as shown and described.

DESCRIPTION

FIG. 1 is a left front perspective view of the design of the modular drawers;

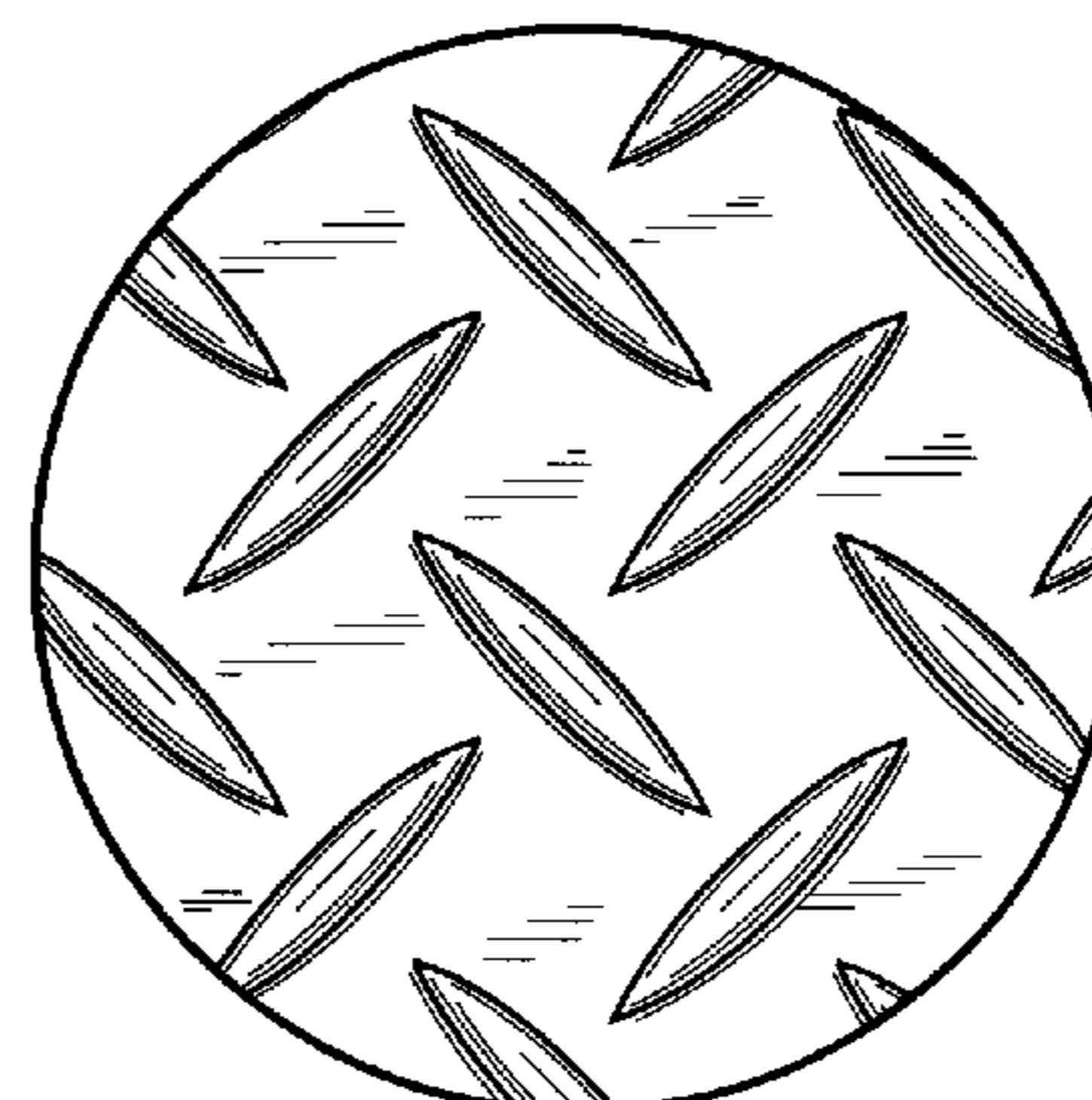
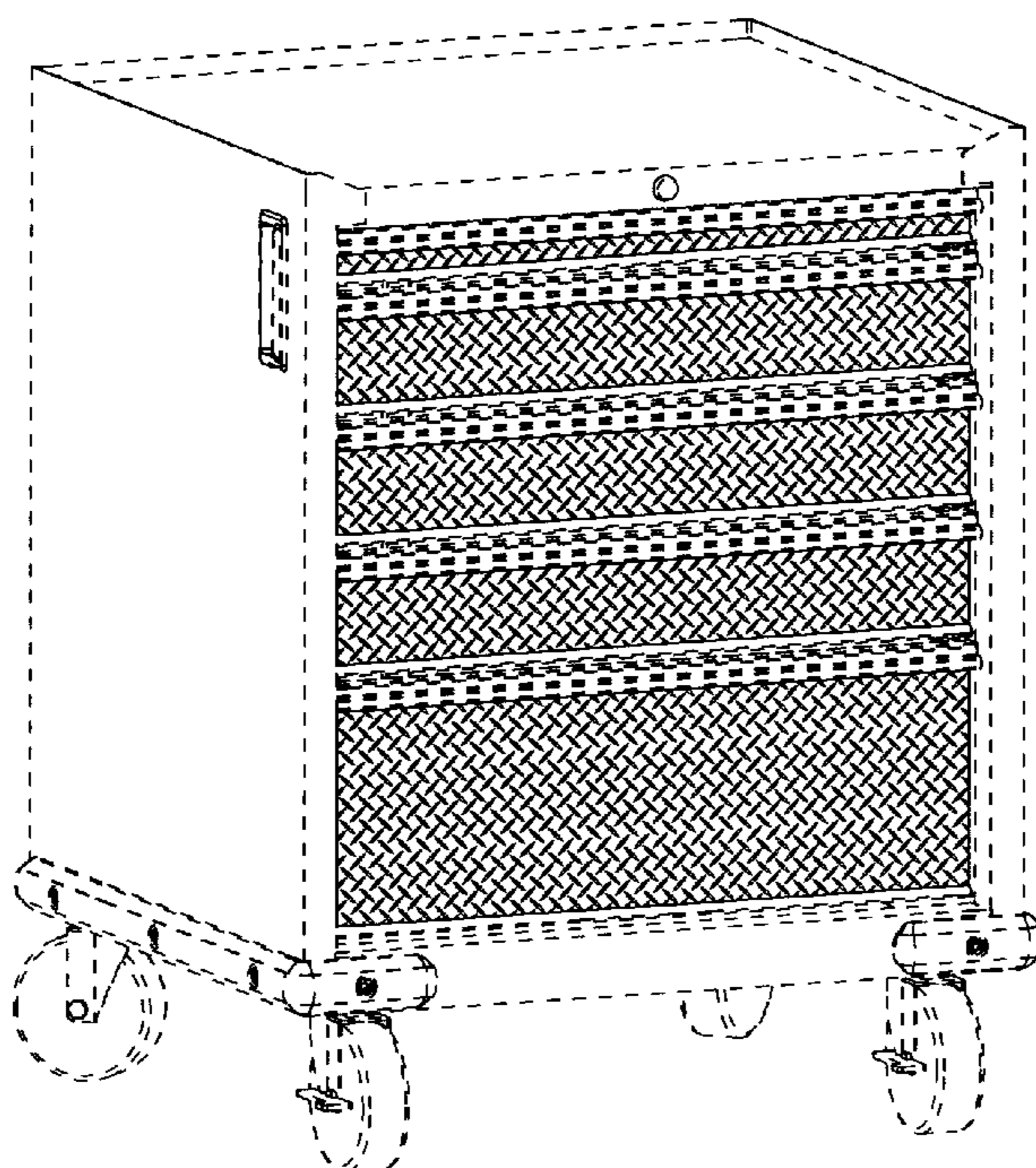
FIG. 2 is a front elevational view thereof. The ornamental design is not visible in a rear view, top plan view, left or right side views or bottom view; and,

FIG. 3 is an enlarged view of the pattern on the modular drawers of the embodiment as shown in FIG. 1.

The characteristic feature of the ornamental design resides in the use of a pattern on the modular drawers.

Those portions of modular drawers in broken lines, specifically the surfaces of the modular drawers at the top and bottom edges of the drawers and surfaces extending back from the drawers including other surfaces of the modular drawers are for illustrative purposes only and are not part of the claimed invention.

1 Claim, 2 Drawing Sheets



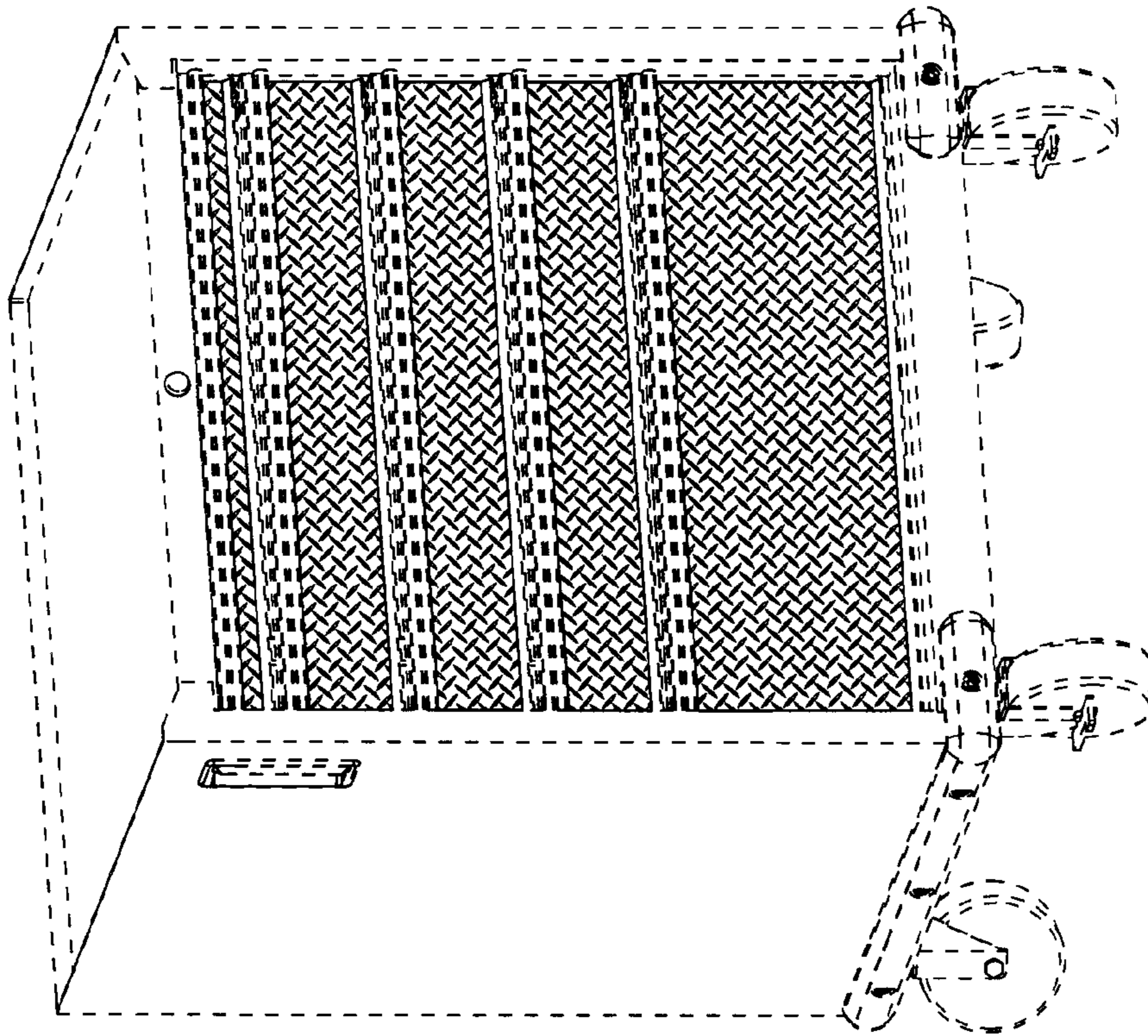


Fig. 1

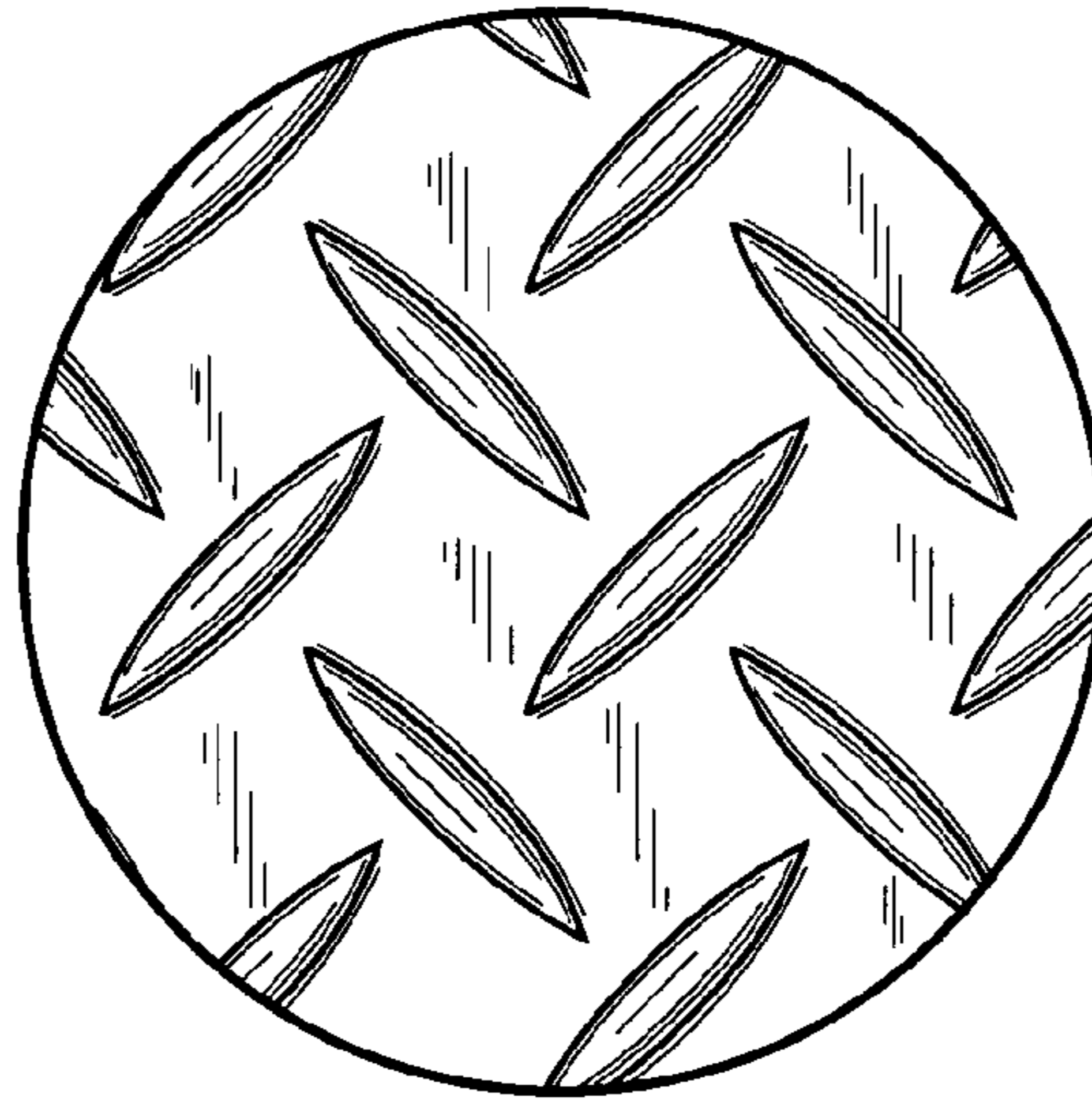


Fig. 3

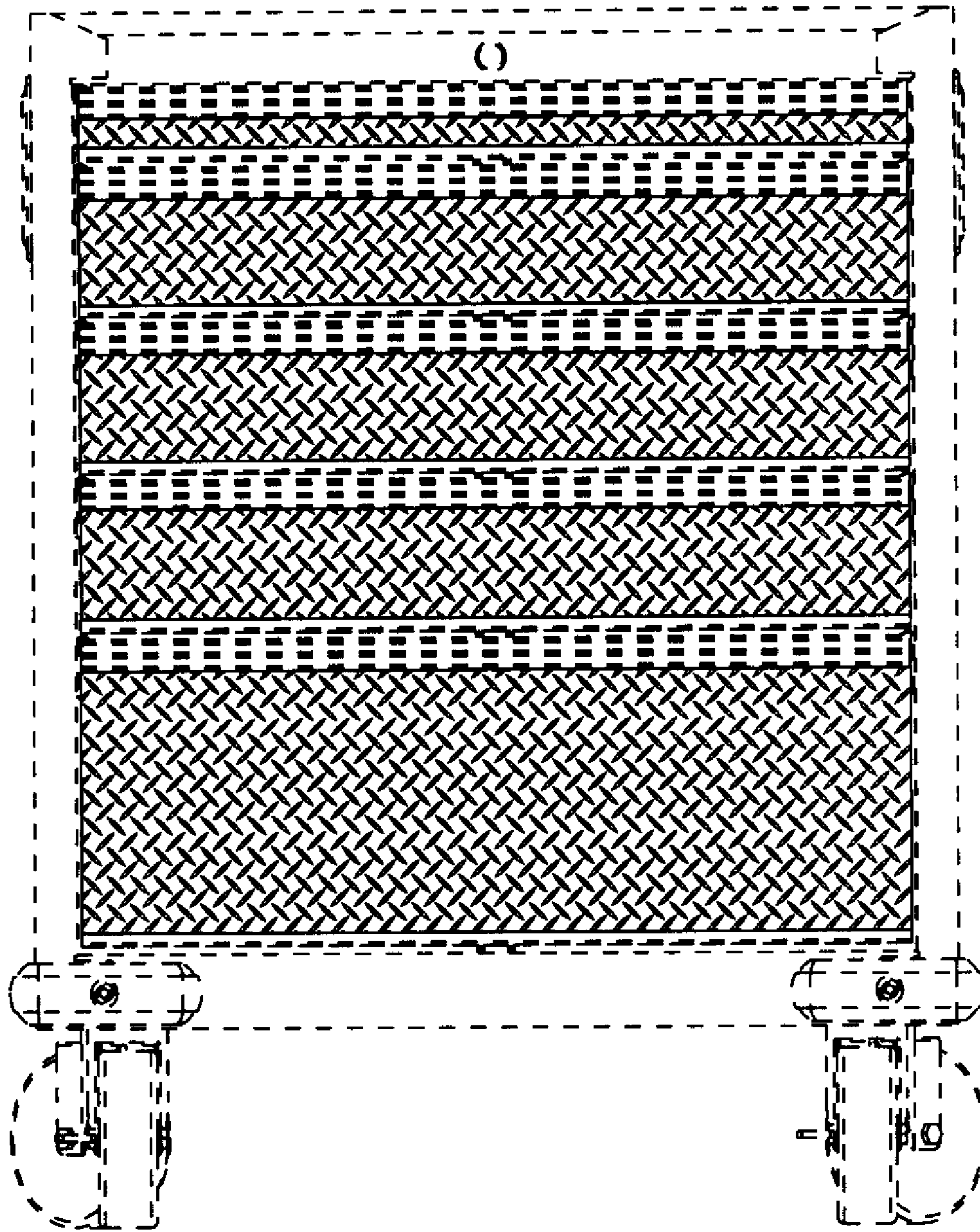


Fig. 2

UNITED STATES PATENT AND TRADEMARK OFFICE
CERTIFICATE OF CORRECTION

PATENT NO. : Des. 544,259 S
APPLICATION NO. : 29/252075
DATED : June 12, 2007
INVENTOR(S) : Duane A. Schmidt et al.

Page 1 of 1

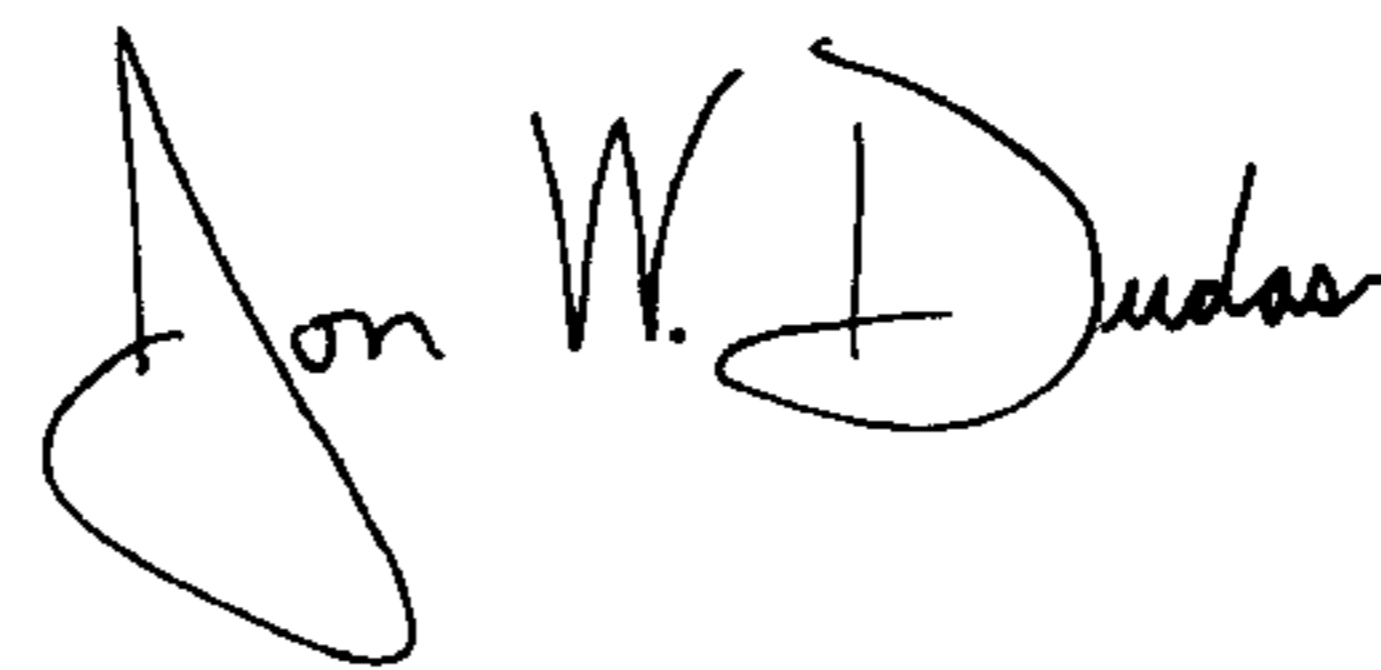
It is certified that error appears in the above-identified patent and that said Letters Patent is hereby corrected as shown below:

On the Title Page:

Item 62, under "Related U.S. Application Data", add the following to the end of the sentence: -- ; which is a division of design application 29/217,129 filed on Nov. 12, 2004, now Pat. No. Des. 514,854; which is a division of design application 29/173,442 filed on Dec. 30, 2002, now Pat. No. Des. 505,237 --.

Signed and Sealed this

Ninth Day of December, 2008

A handwritten signature in black ink that reads "Jon W. Dudas". The signature is written in a cursive style with a large, stylized initial "J".

JON W. DUDAS

Director of the United States Patent and Trademark Office