



US00D544258S

(12) **United States Design Patent**
Chen

(10) **Patent No.:** **US D544,258 S**

(45) **Date of Patent:** **** Jun. 12, 2007**

(54) **CHAIR ADJUSTING APPARATUS WITH
SLIDING PANEL**

(76) **Inventor:** **Su-Ming Chen**, No. 566, Fong Lin 2nd
Rd., Ta Liao Hsiang, Kaohsiung (TW)

(**) **Term:** **14 Years**

(21) **Appl. No.:** **29/238,732**

(22) **Filed:** **Sep. 21, 2005**

(51) **LOC (8) Cl.** **06-06**

(52) **U.S. Cl.** **D6/500**

(58) **Field of Classification Search** D6/334-336,
D6/364, 365, 366, 367, 491, 500-502; 248/161,
248/578; 297/300.1, 300.2, 344.12, 344.18,
297/344.19, 344.21, 463.1

See application file for complete search history.

(56) **References Cited**

U.S. PATENT DOCUMENTS

D252,661 S *	8/1979	Bowman	D6/500
D289,591 S *	5/1987	Groseth	D6/500
D290,073 S *	6/1987	Doerner	D6/500
D292,459 S *	10/1987	Doerner	D6/500
5,664,834 A *	9/1997	Hsu	297/300.1
D432,338 S *	10/2000	Matern	D6/500
D433,852 S *	11/2000	Zhou	D6/500
D447,652 S *	9/2001	Beggs	D6/500

6,382,723 B1 *	5/2002	Piretti	297/300.1
D472,081 S *	3/2003	Chen	D6/500
D473,737 S *	4/2003	Klaesener et al.	D6/500
D483,582 S *	12/2003	Chen	D6/500
2002/0163242 A1 *	11/2002	Beggs	297/463.1

* cited by examiner

Primary Examiner—Mimosa De

(74) *Attorney, Agent, or Firm*—Leong C. Lei

(57) **CLAIM**

The ornamental design for a chair adjusting apparatus with sliding panel, as shown and described.

DESCRIPTION

FIG. 1 is a perspective view of a chair adjusting apparatus with sliding panel showing my new design;

FIG. 2 is a front elevational view thereof;

FIG. 3 is a rear elevational view thereof;

FIG. 4 is a left side elevational view thereof;

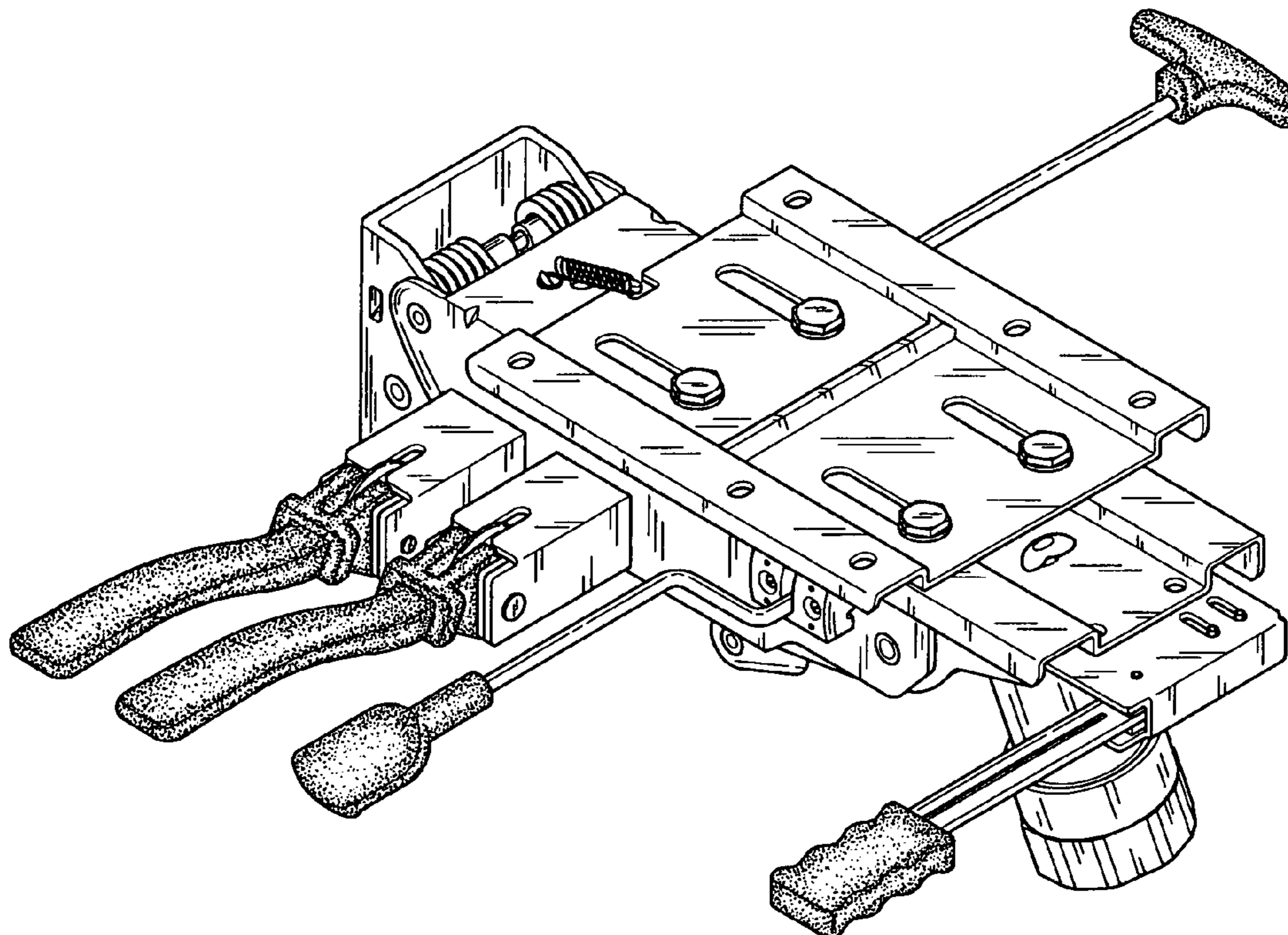
FIG. 5 is a right side elevational view thereof;

FIG. 6 is a top plan view thereof;

FIG. 7 is a bottom plan view thereof; and,

FIG. 8 is a perspective view thereof with the sliding panel extended.

1 Claim, 6 Drawing Sheets



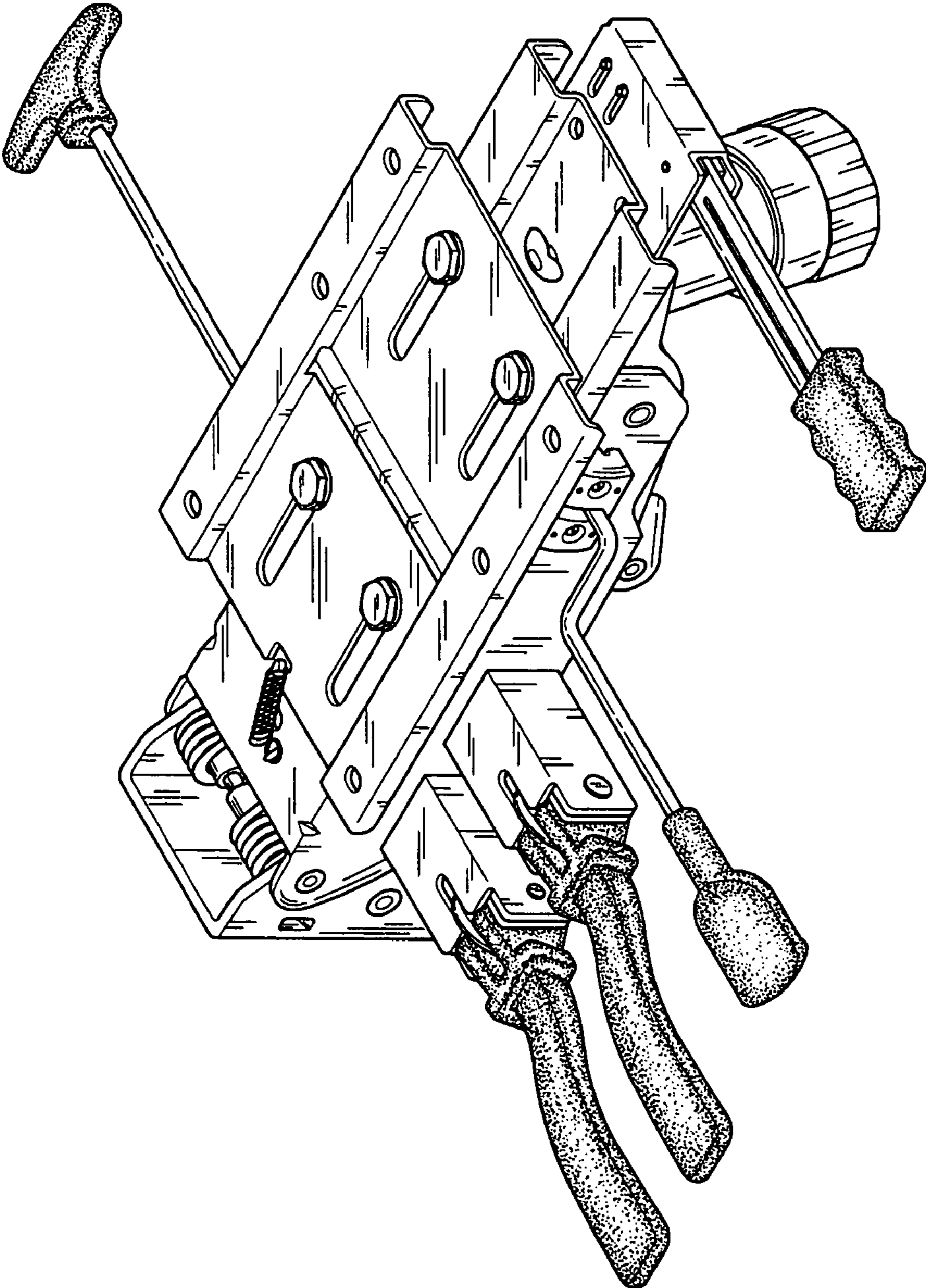


FIG.1

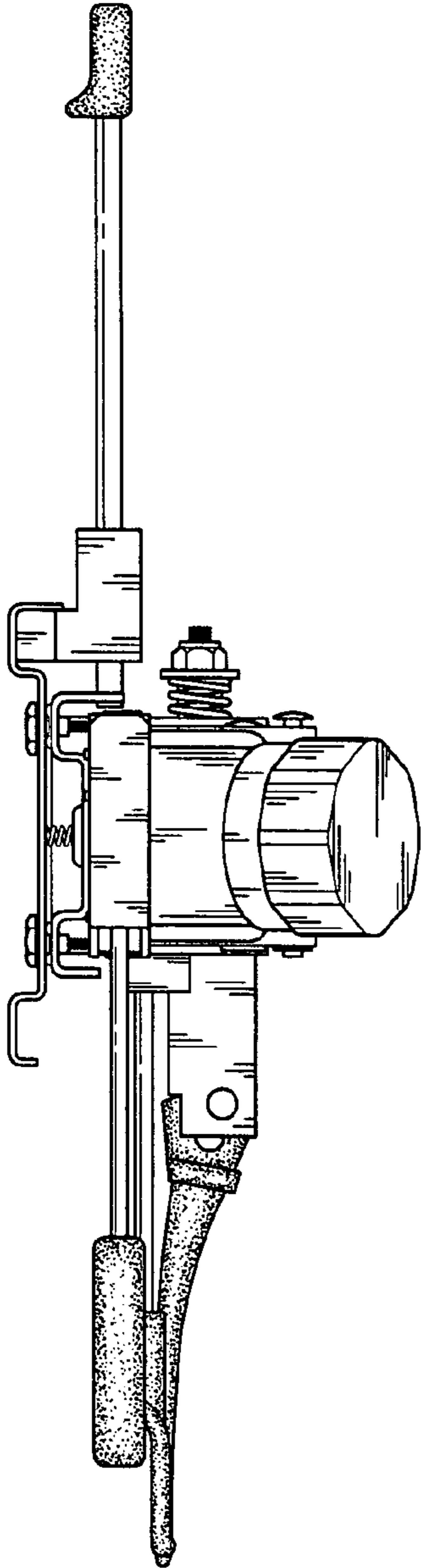


FIG. 2

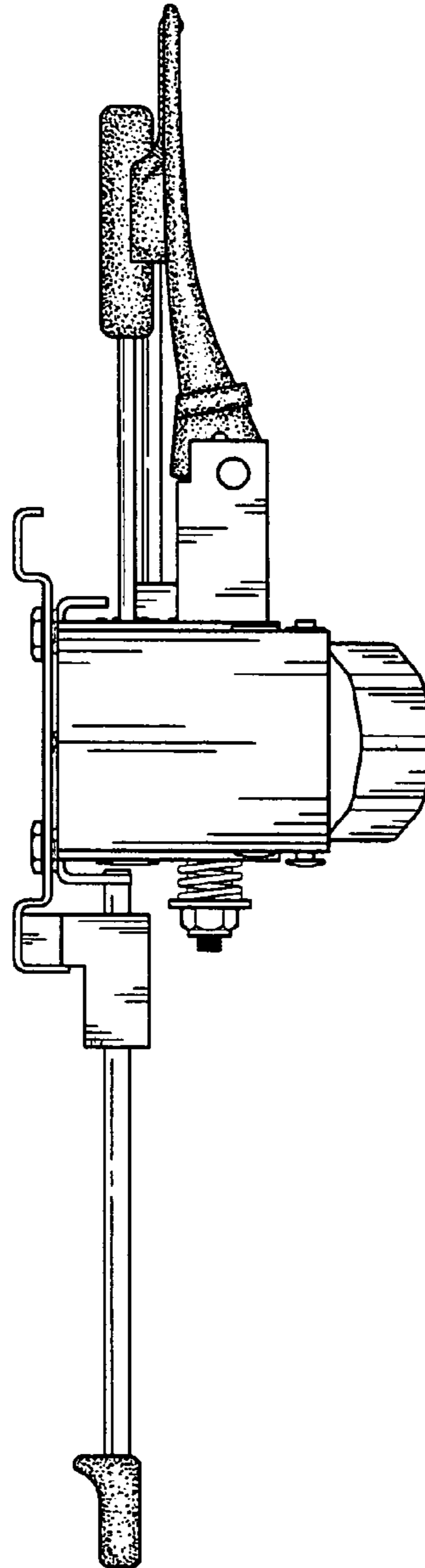


FIG. 3

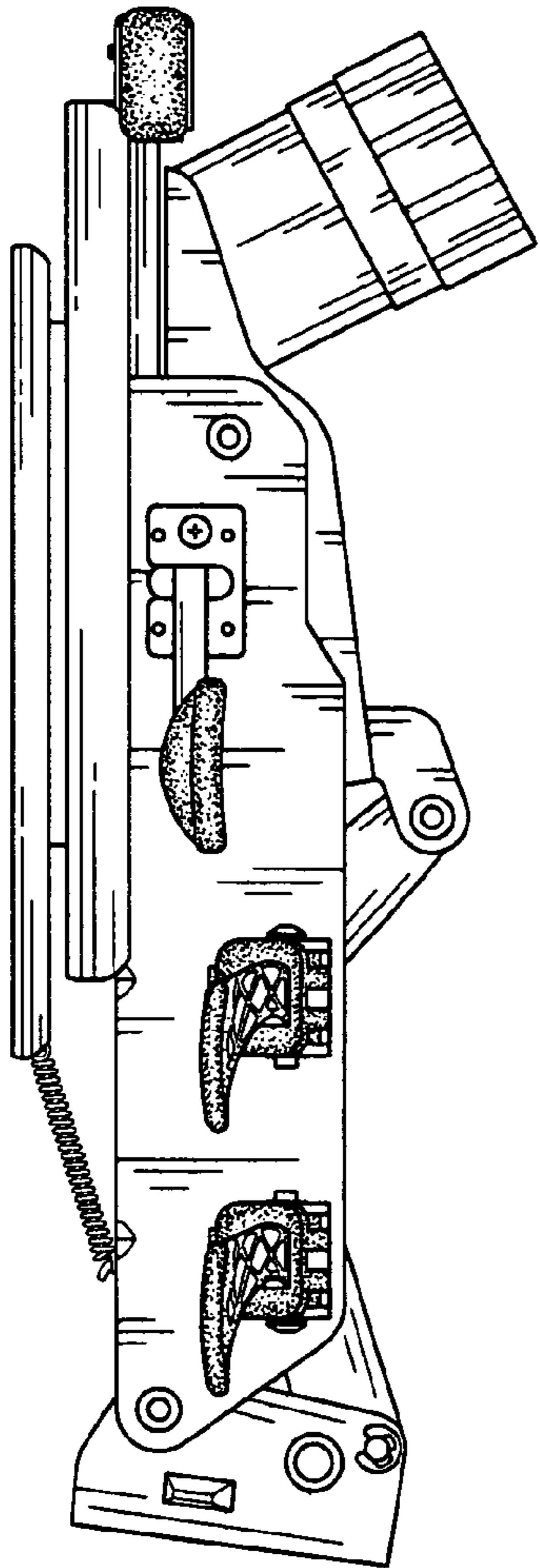


FIG. 4

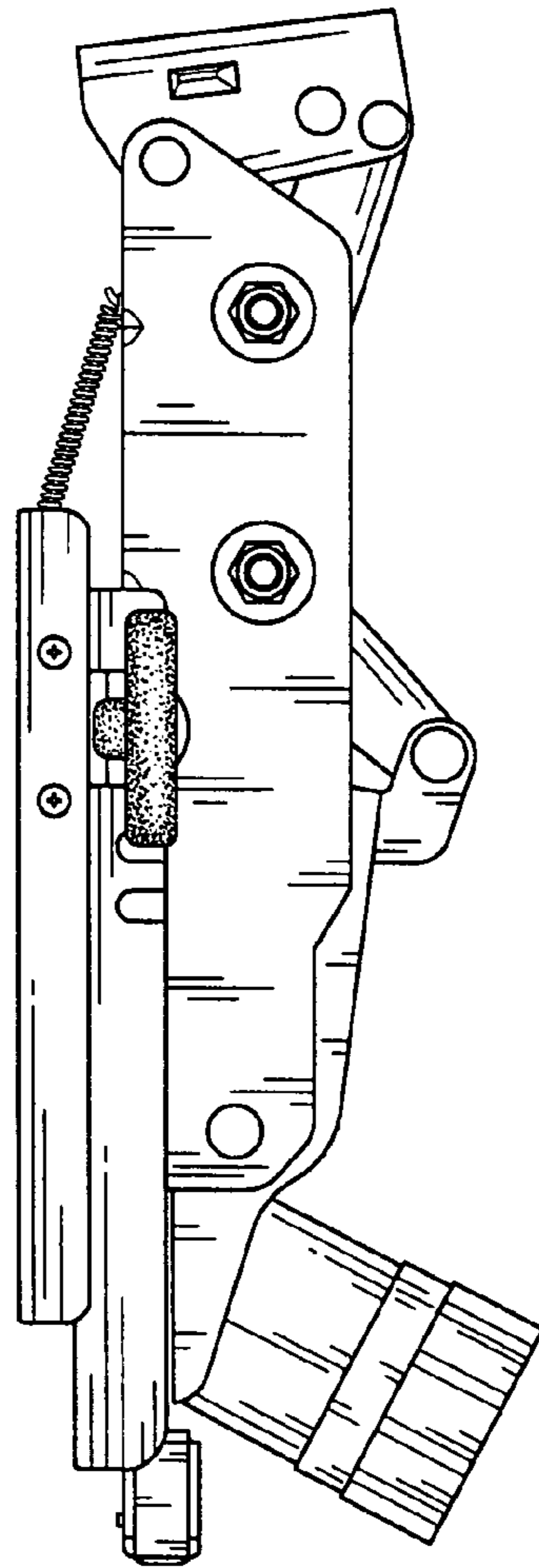


FIG. 5

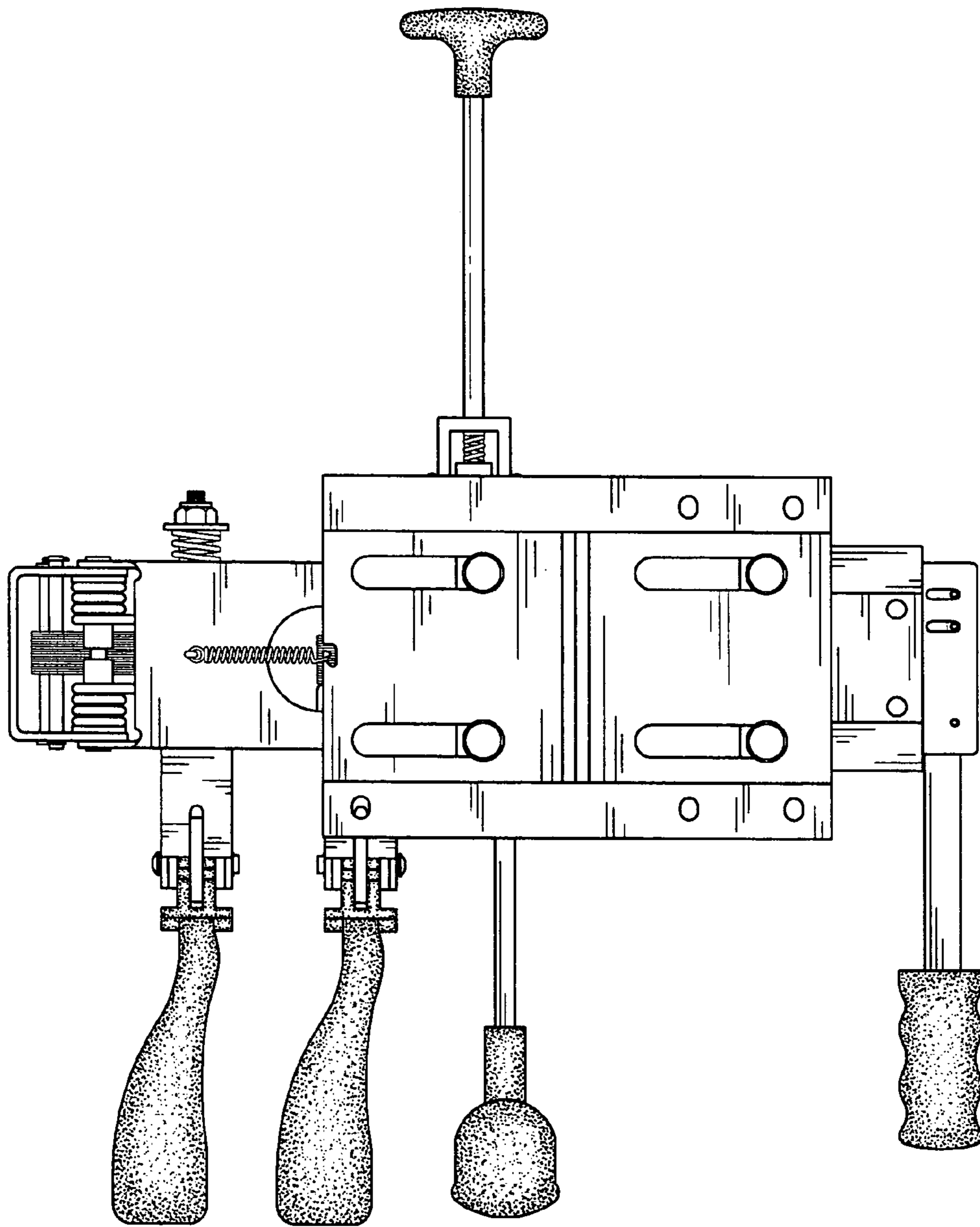


FIG.6

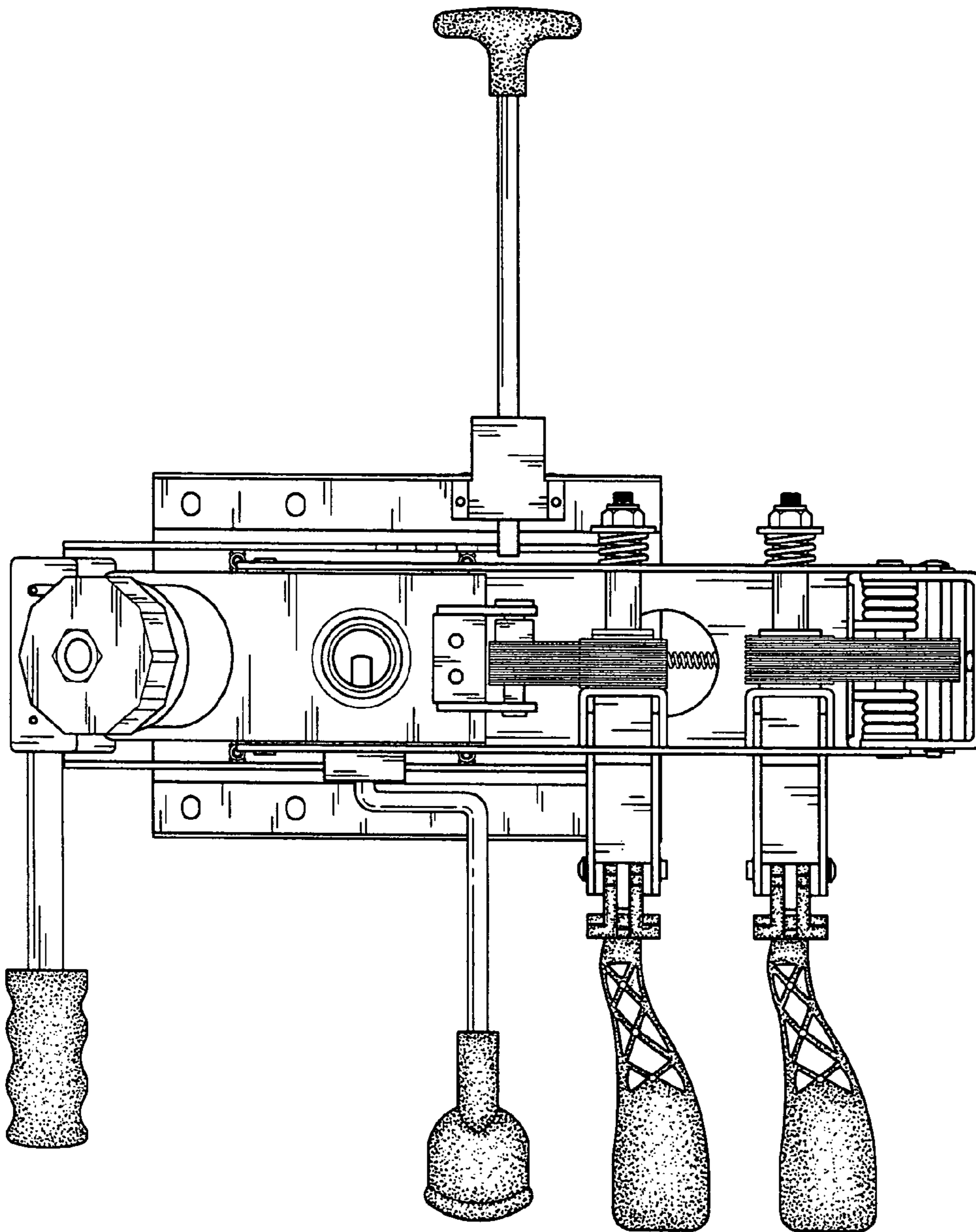


FIG.7

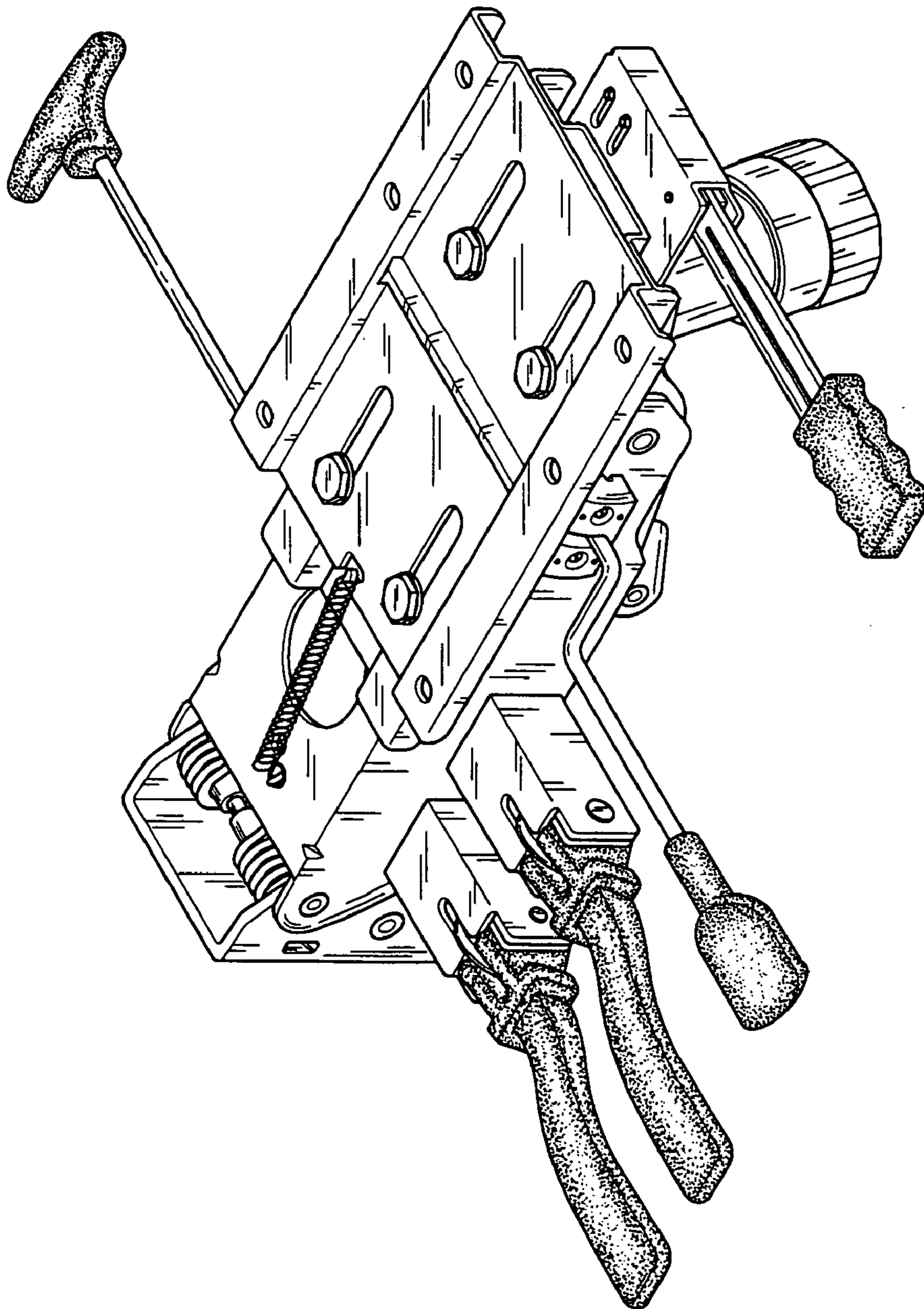


FIG.8