



US00D544256S

(12) **United States Design Patent**
Chen

(10) **Patent No.:** **US D544,256 S**

(45) **Date of Patent:** **** Jun. 12, 2007**

(54) **TABLE**

(75) Inventor: **John Chen**, Diamond Bar, CA (US)

(73) Assignee: **Meadow Decor, Inc.**, Ontario, CA (US)

(**) Term: **14 Years**

(21) Appl. No.: **29/235,808**

(22) Filed: **Aug. 5, 2005**

(51) **LOC (8) Cl.** **06-03**

(52) **U.S. Cl.** **D6/488**

(58) **Field of Classification Search** D6/480-489,
D6/495, 511; 108/153.1, 155, 156, 25, 157.1,
108/150, 161, 50.12; 248/188, 188.1
See application file for complete search history.

(56) **References Cited**

U.S. PATENT DOCUMENTS

D83,339 S * 2/1931 Moore et al. D6/486
D378,479 S * 3/1997 Smith D6/477
D388,633 S * 1/1998 Lin D6/404
D431,397 S * 10/2000 Li D6/480

D492,522 S * 7/2004 Butler D6/511
D503,863 S * 4/2005 Vanderminden, Sr. D6/487
D526,825 S * 8/2006 White et al. D6/511

* cited by examiner

Primary Examiner—Janice E. Seeger

(74) *Attorney, Agent, or Firm*—Thomas I. Rozsa

(57) **CLAIM**

The ornamental design for a table, as shown and described.

DESCRIPTION

FIG. 1 is a perspective view of the preferred embodiment of a table, showing my new design;

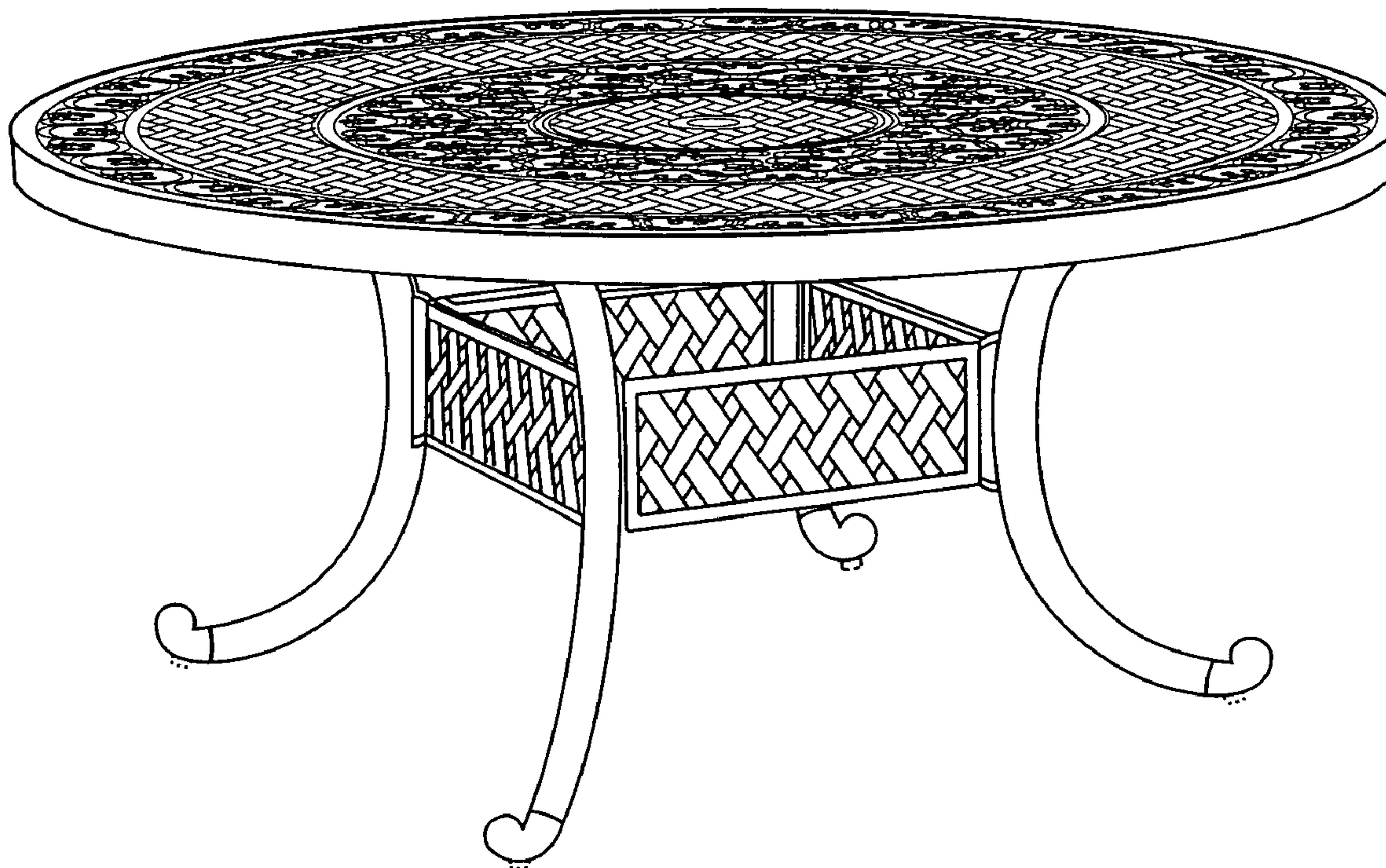
FIG. 2 is a top plan view;

FIG. 3 is side elevational view with all side views being the same; and,

FIG. 4 is a bottom plan view.

The broken lines are for environmental purposes only and form no part of the claimed design.

1 Claim, 4 Drawing Sheets



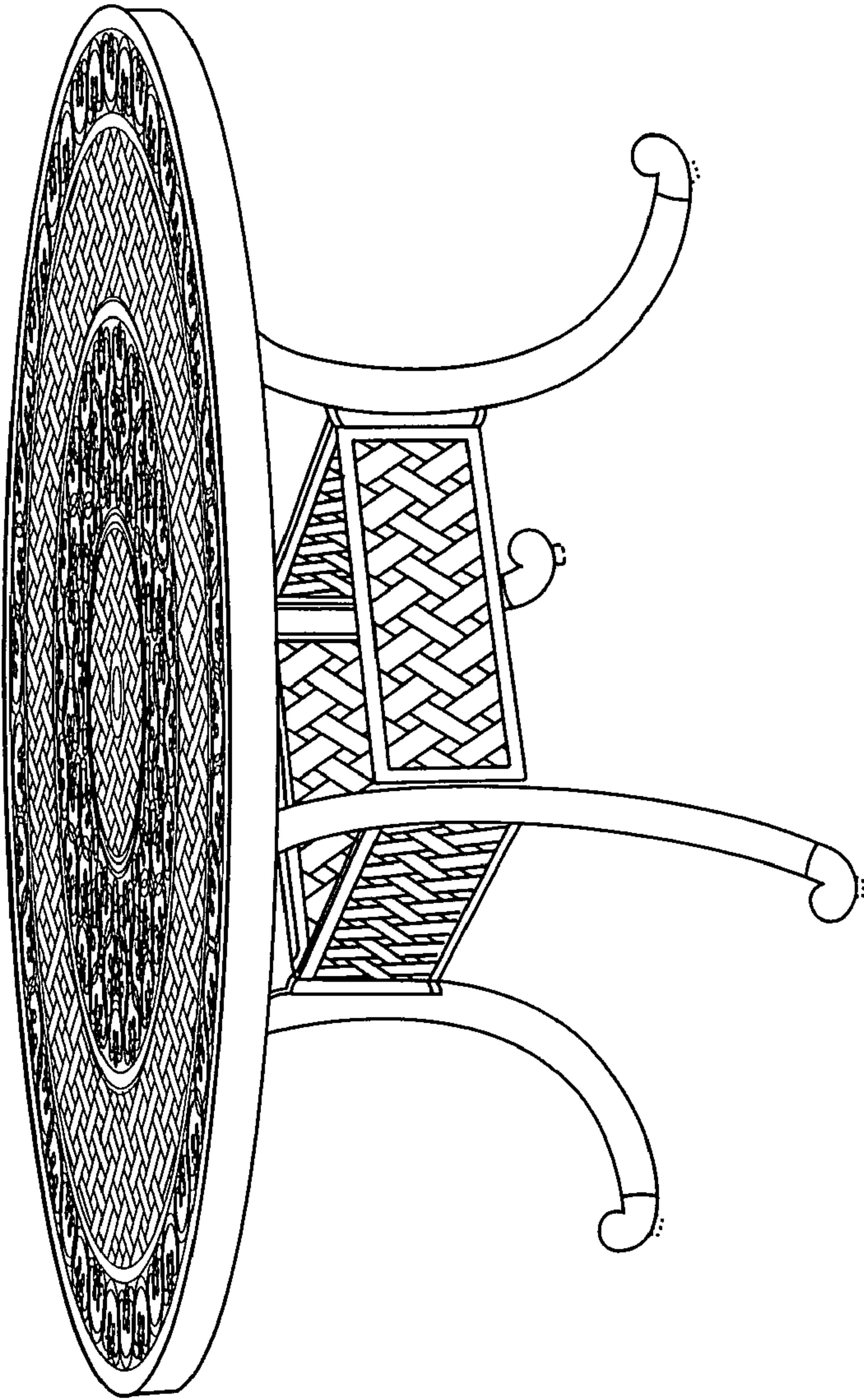


Fig. 1

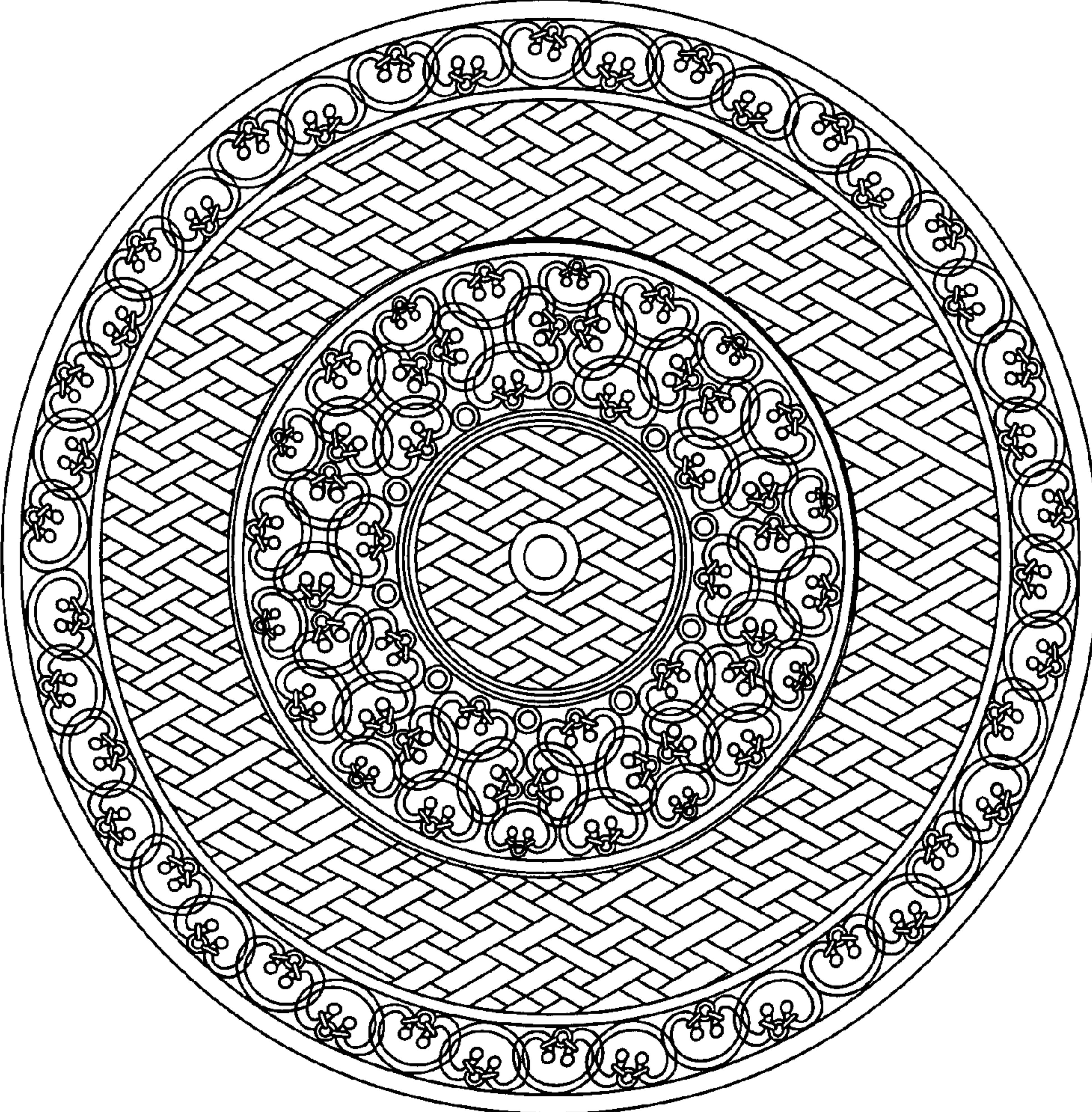


Fig. 2

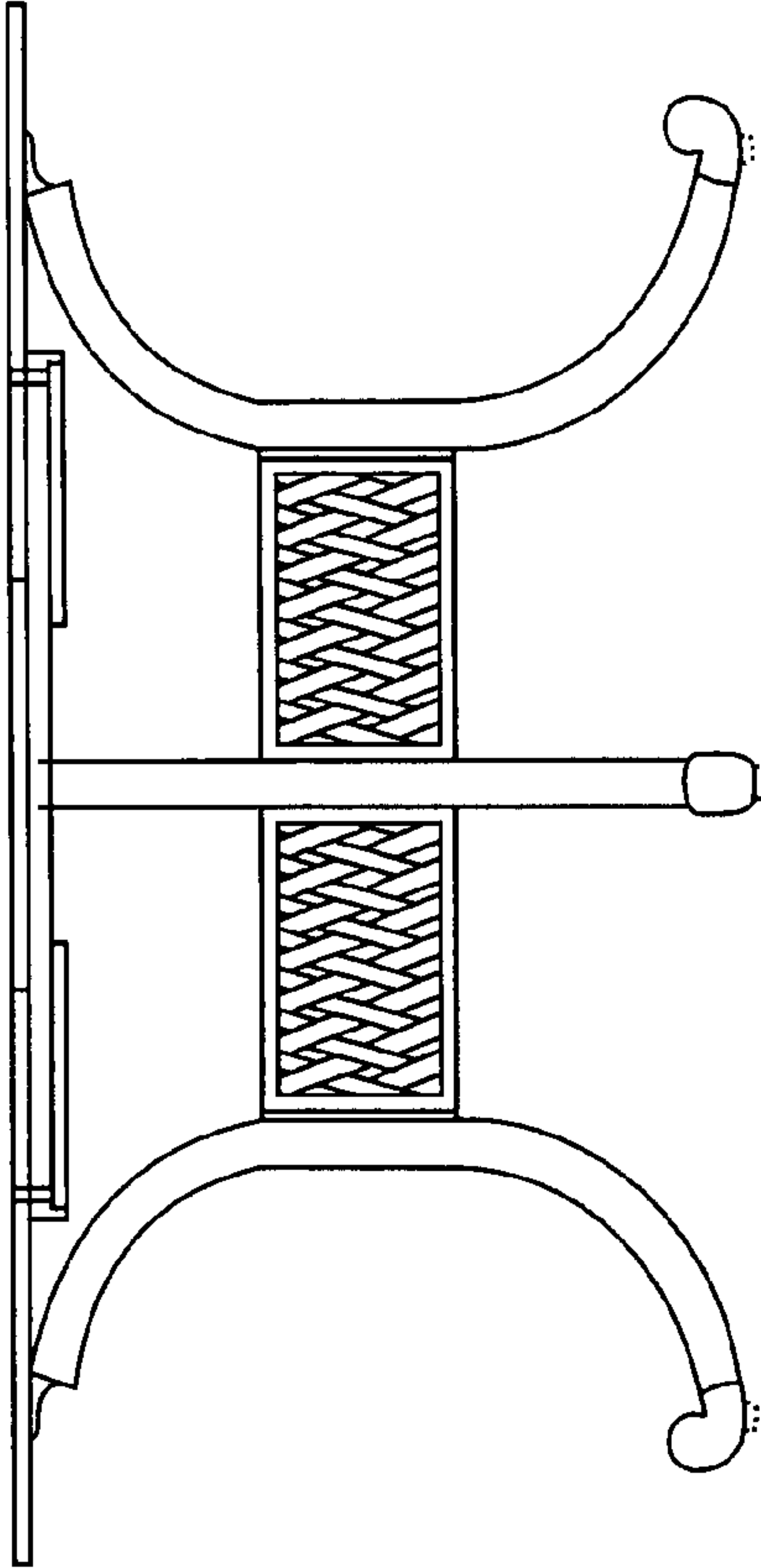


Fig. 3

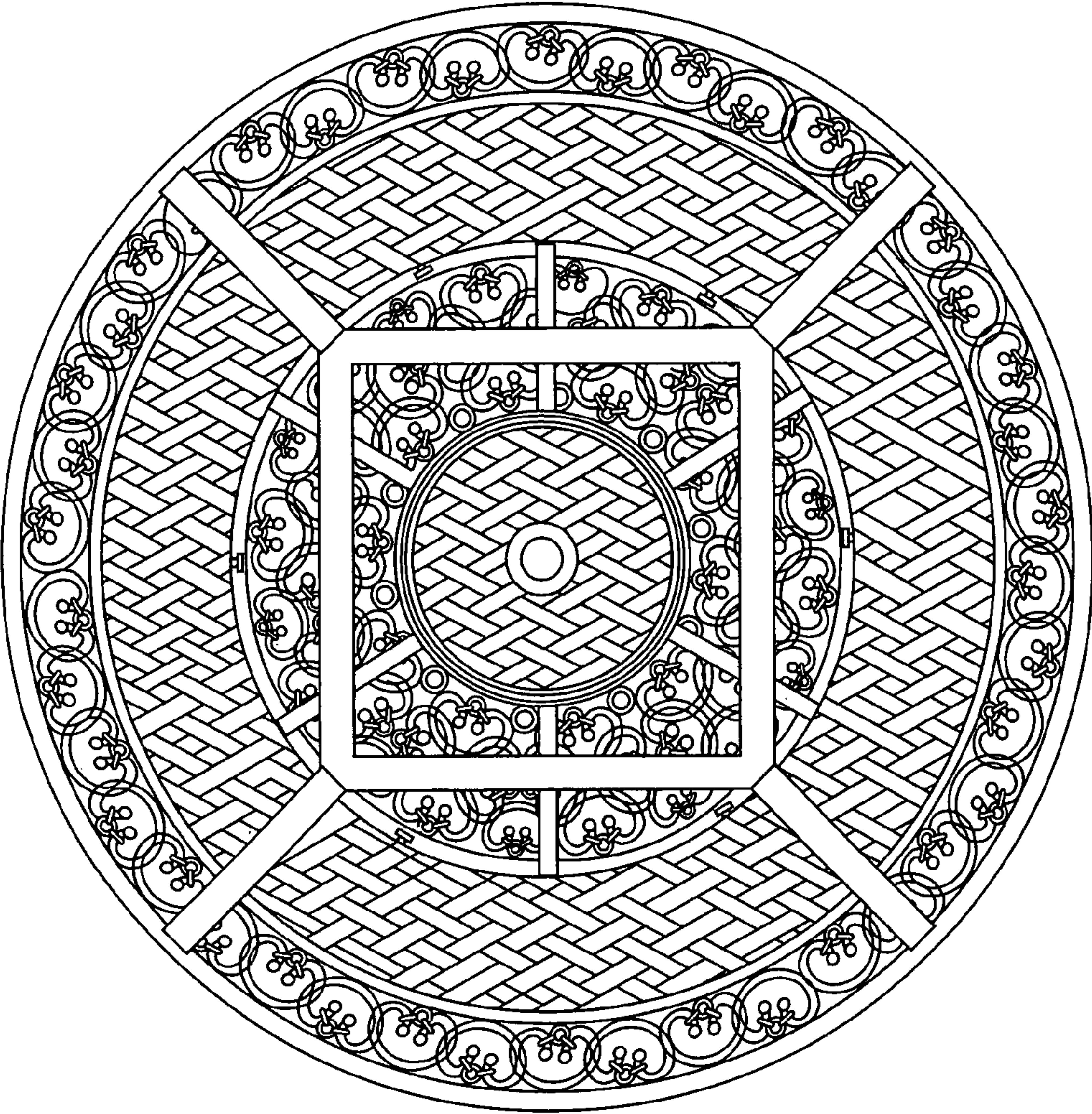


Fig. 4