



US00D544255S

(12) **United States Design Patent**
Tracewell

(10) **Patent No.:** **US D544,255 S**

(45) **Date of Patent:** **** Jun. 12, 2007**

(54) **DESK FOR COMPUTER RELATED PRODUCTS**

D380,911 S * 7/1997 Good D6/480

* cited by examiner

(76) Inventor: **Larry L Tracewell**, 8653 Finlarig Dr.,
Dublin, OH (US) 43017

Primary Examiner—Janice E. Seeger

(74) *Attorney, Agent, or Firm*—Mueller Smith & Matto

(**) Term: **14 Years**

(57) **CLAIM**

(21) Appl. No.: **29/242,822**

The ornamental design for a desk for computer related products, as shown.

(22) Filed: **Nov. 15, 2005**

(51) **LOC (8) Cl.** **06-03**

(52) **U.S. Cl.** **D6/480**

(58) **Field of Classification Search** D6/480-489,
D6/495-499, 511, 429-431, 422, 426; 108/150,
108/155, 153.1, 156, 157.1, 161, 50.01, 50.02;
248/188, 188.1, 188.8

See application file for complete search history.

DESCRIPTION

FIG. 1 is a perspective view of a desk;
FIG. 2 is a front elevational view of the desk of FIG. 1;
FIG. 3 is a top view of the desk of FIG. 1;
FIG. 4 is a left side view of the desk of FIG. 1;
FIG. 5 is a right side view of the desk of FIG. 1;
FIG. 6 is a rear elevational view of the desk of FIG. 1; and,
FIG. 7 is bottom view of the desk of FIG. 1.

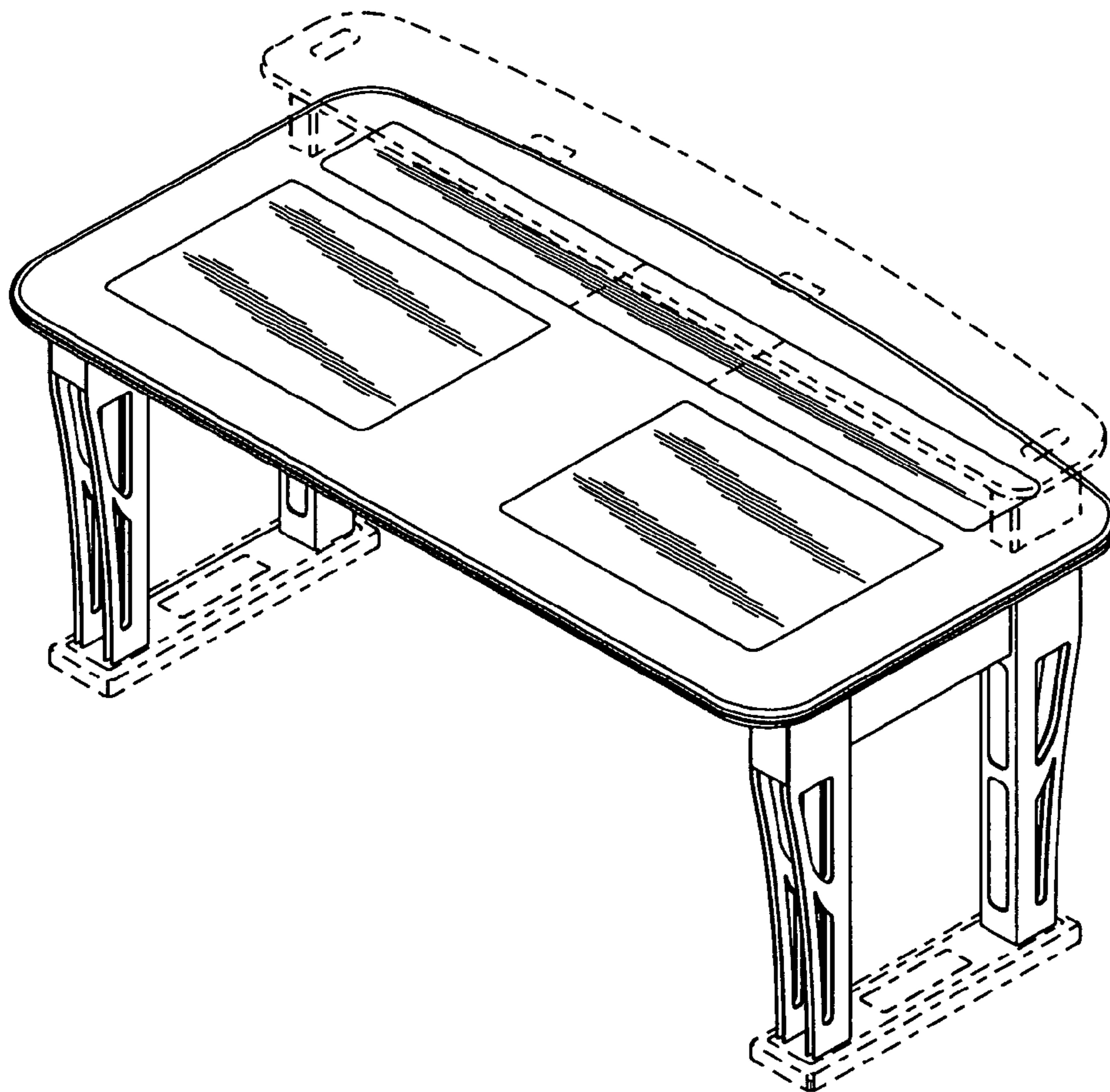
The broken lines are for environmental purposes only and form no part of the claimed design.

(56) **References Cited**

U.S. PATENT DOCUMENTS

D166,300 S * 4/1952 Curtis D6/485
2,615,770 A * 10/1952 Curtis 108/155
D322,903 S * 1/1992 Edwards D6/495
D344,198 S * 2/1994 Weinberger D6/428

1 Claim, 3 Drawing Sheets



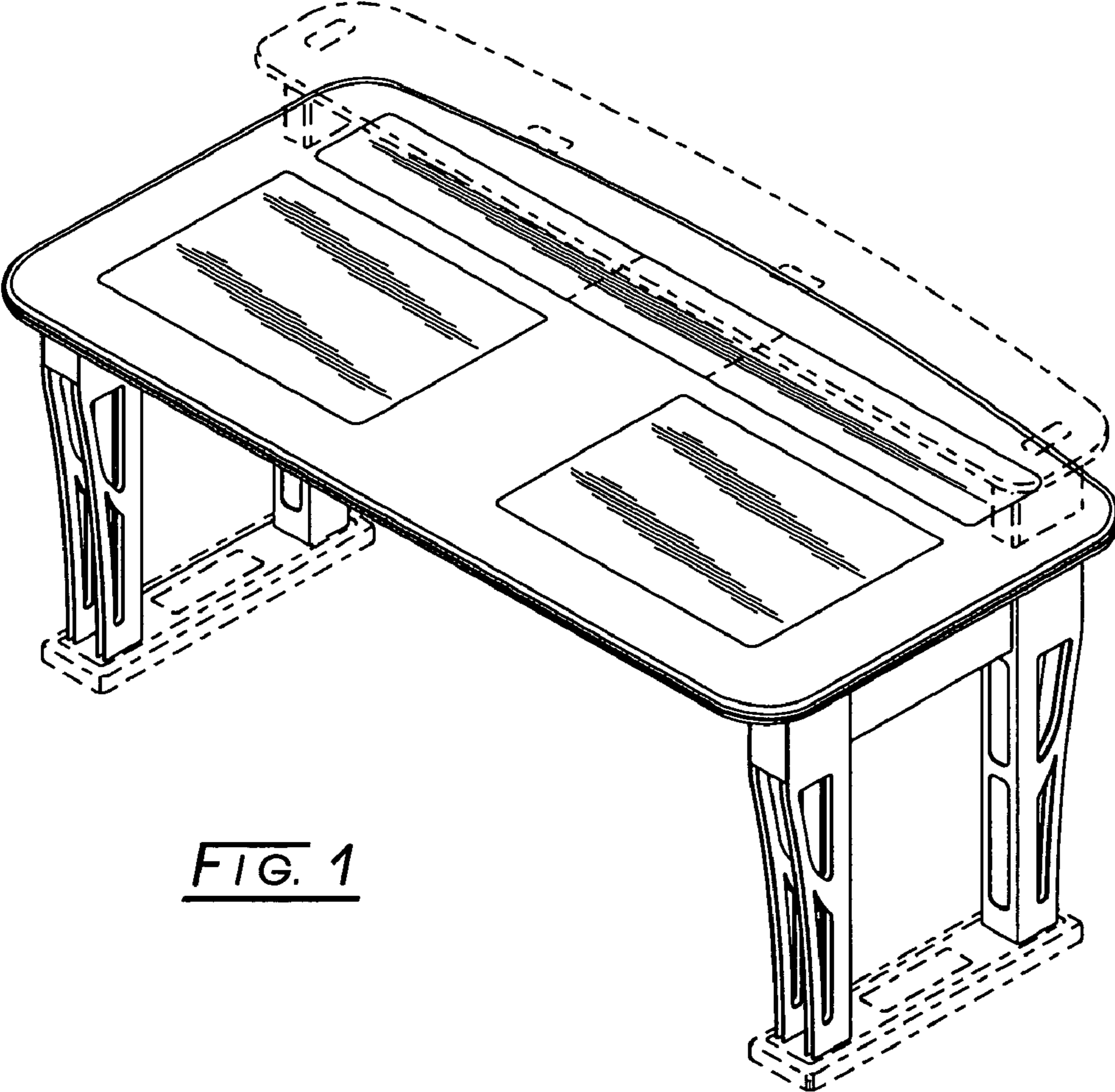


FIG. 1

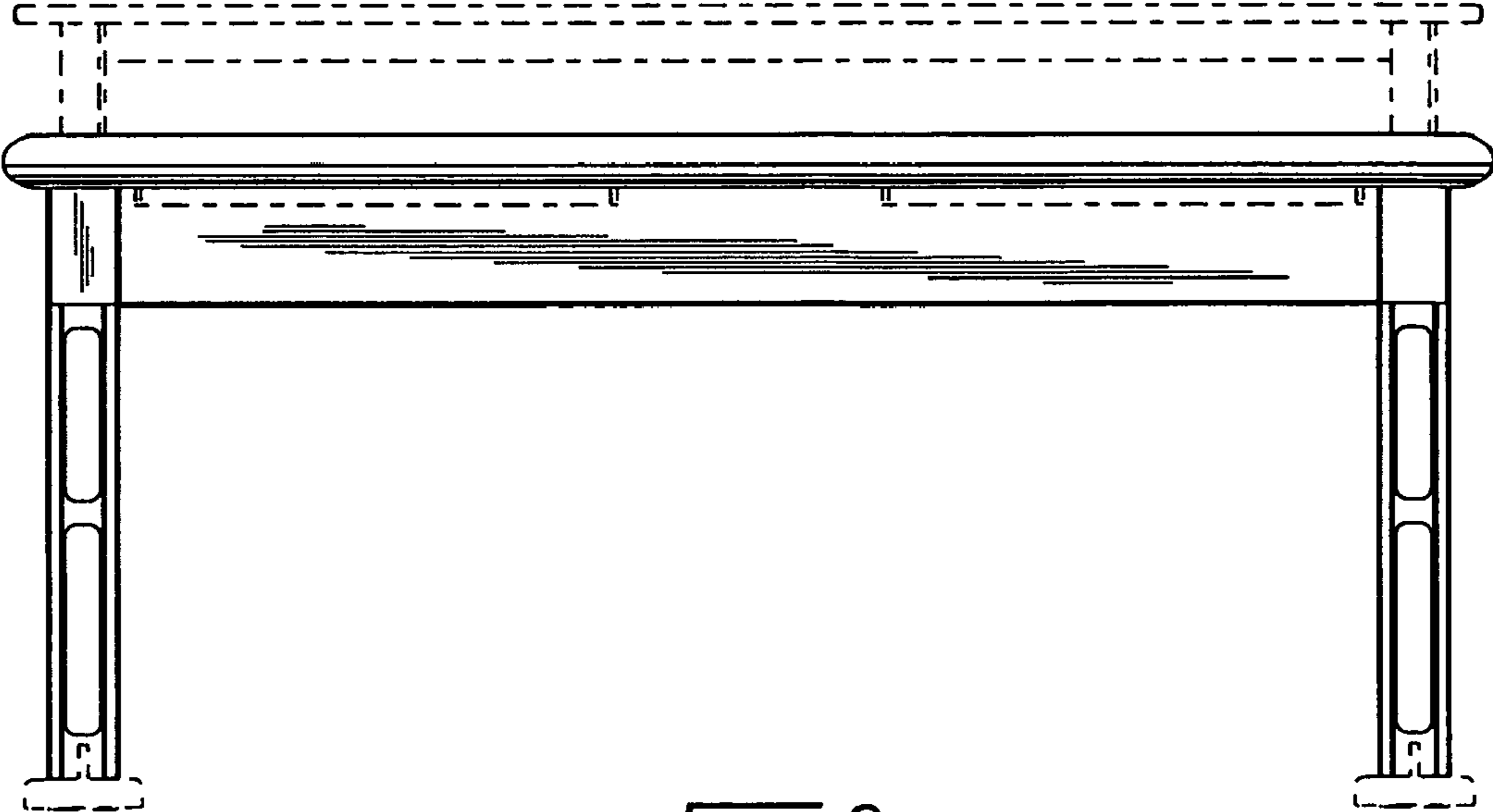


FIG. 2

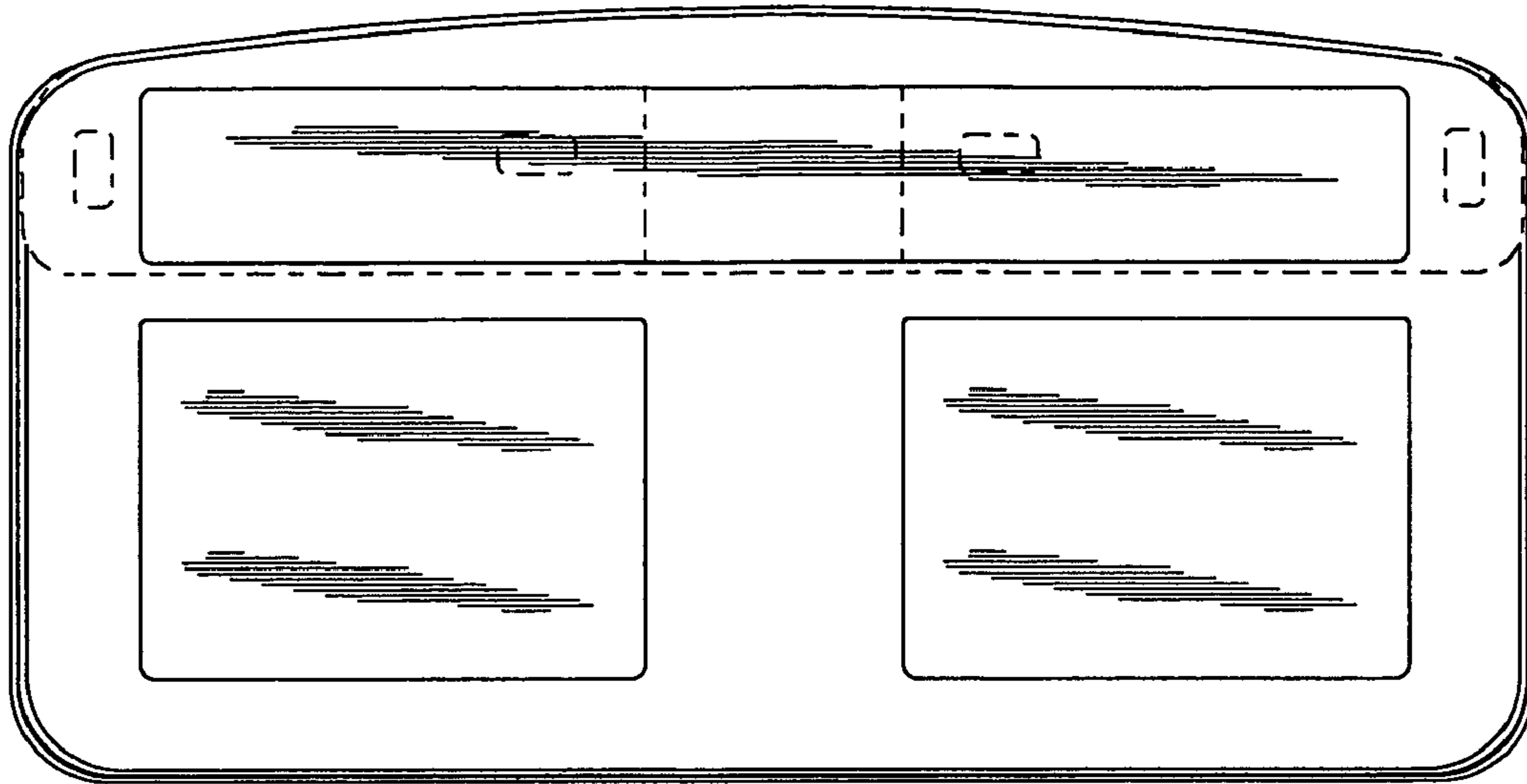


FIG. 3

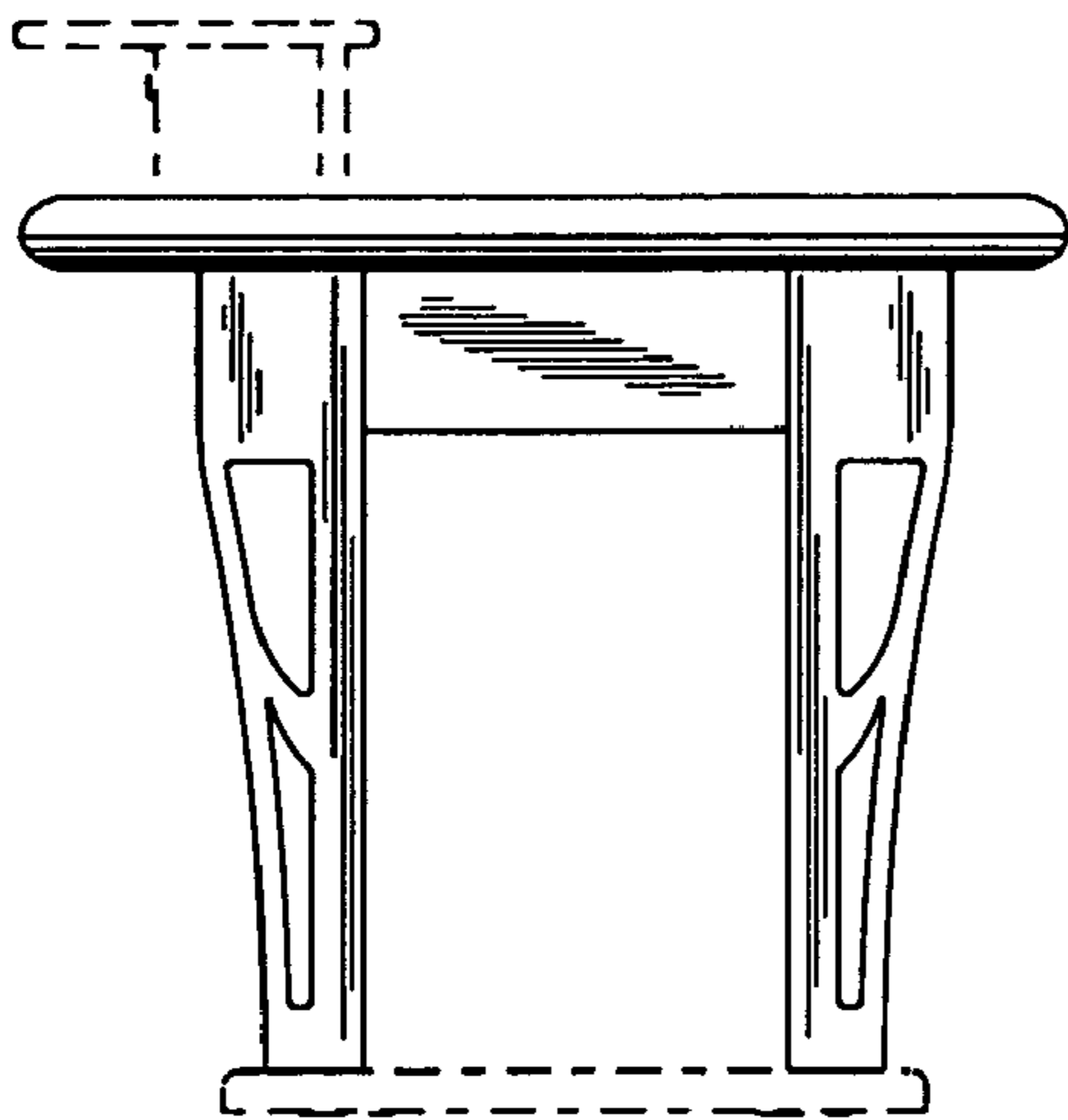


FIG. 4

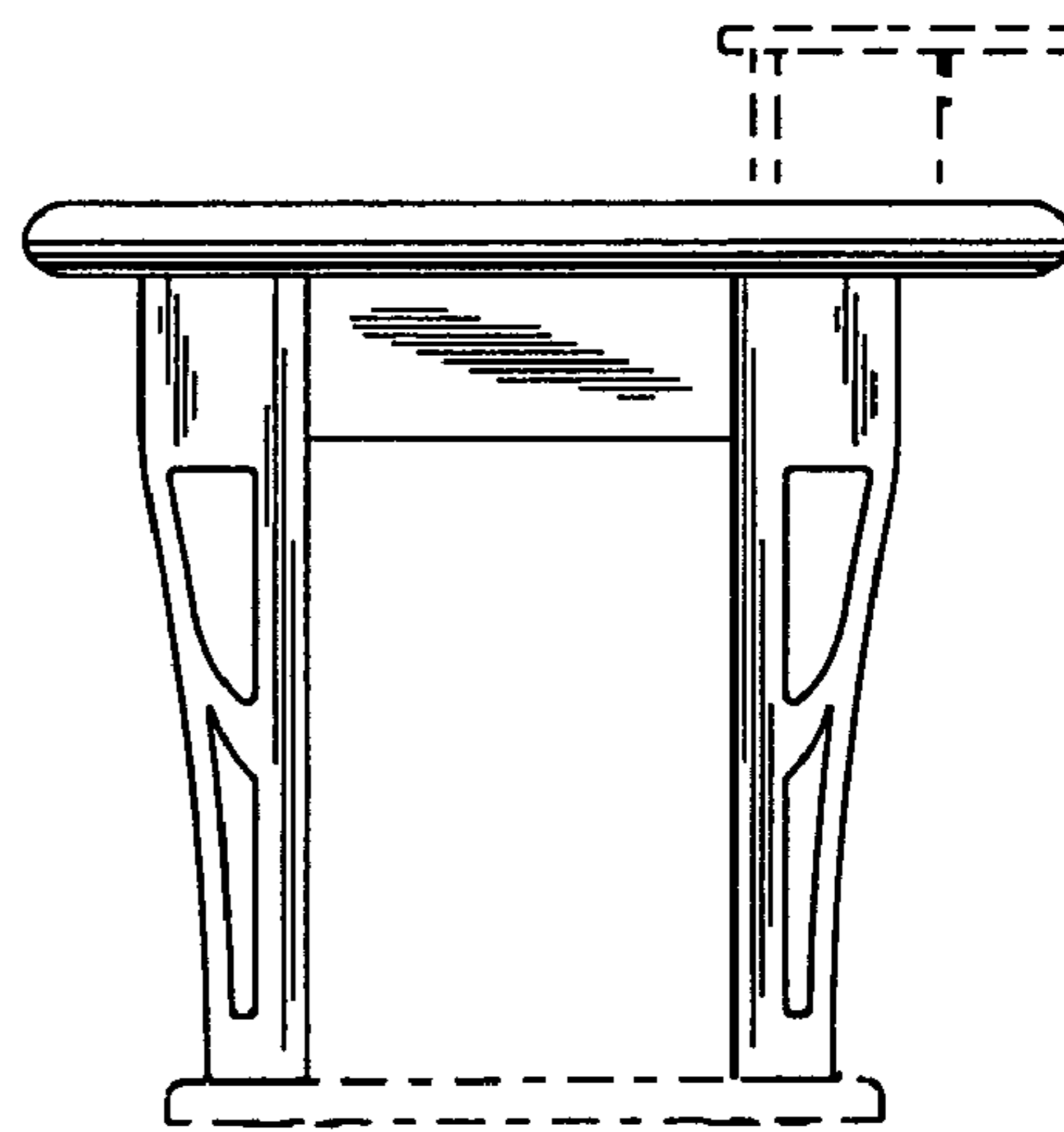


FIG. 5

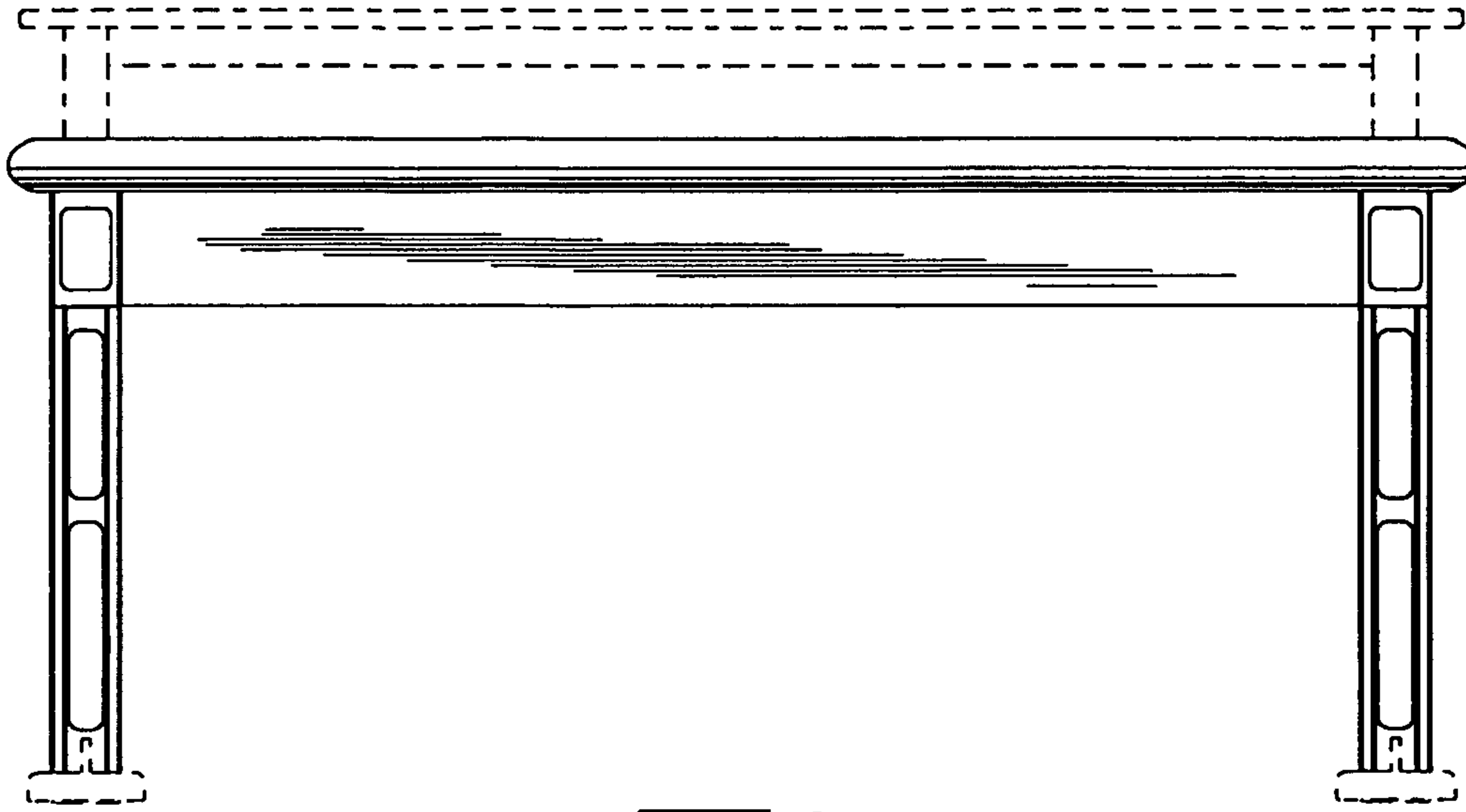


FIG. 6

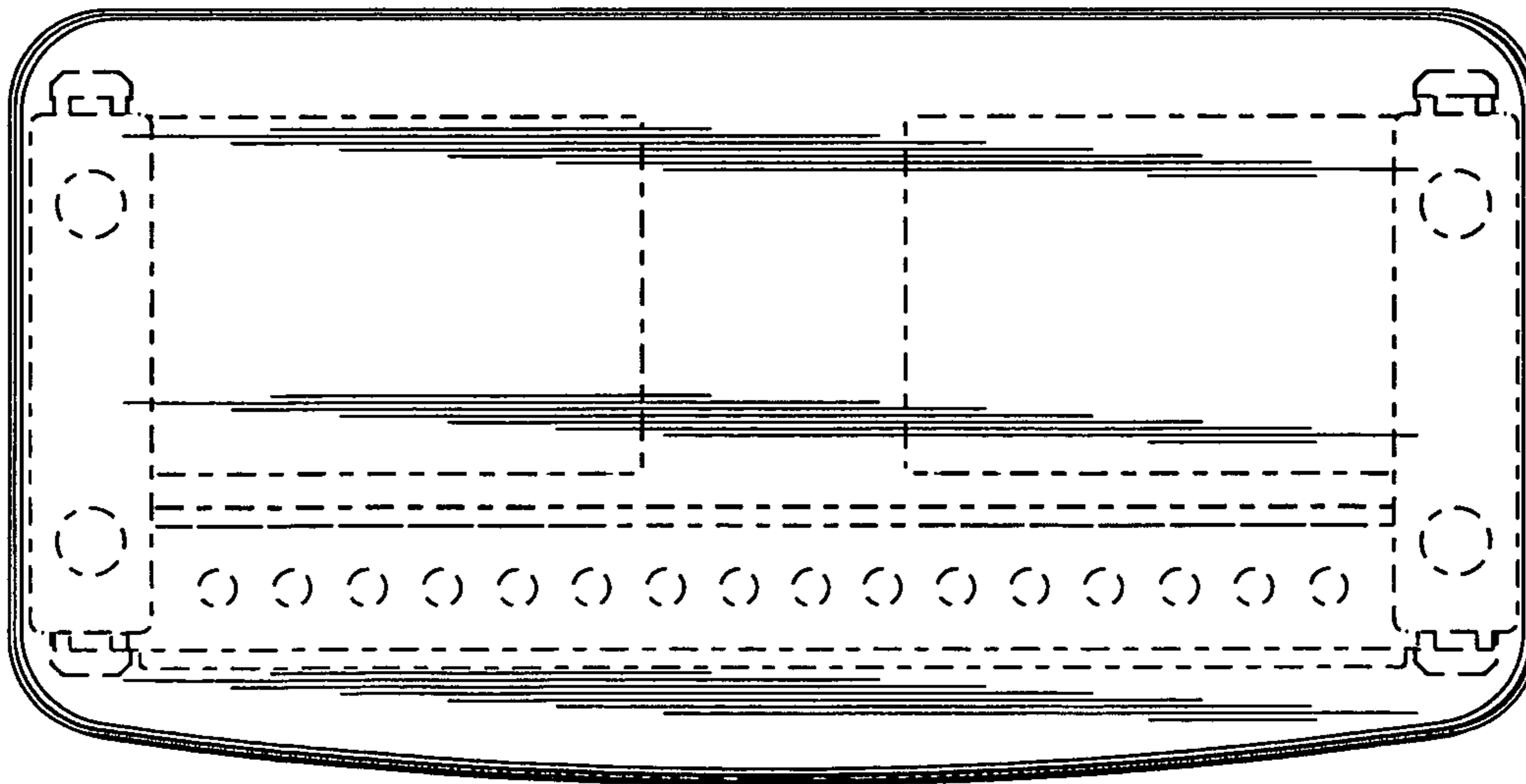


FIG. 7