



US00D544253S

(12) **United States Design Patent**  
**Fujii**

(10) **Patent No.:** **US D544,253 S**  
(45) **Date of Patent:** **\*\* Jun. 12, 2007**

(54) **STAND FOR TELEVISION RECEIVER**

D519,755 S \* 5/2006 Luong ..... D6/477

(75) Inventor: **Hiroya Fujii**, Tokyo (JP)

**OTHER PUBLICATIONS**

(73) Assignee: **Sony Corporation**, Tokyo (JP)

Web page "TV Stand" [http://www.sonystyle.com/is-bin/INTERSHOP.enfinity/eCS/Store/en/-/USD/SY\\_BrowseCatalog-Start?CategoryName=tv\\_Stands&Dept=tv](http://www.sonystyle.com/is-bin/INTERSHOP.enfinity/eCS/Store/en/-/USD/SY_BrowseCatalog-Start?CategoryName=tv_Stands&Dept=tv), 5 sheets, Sony Electronics e-Solutions Company, LLC (Dec. 2004).

(\*\*) Term: **14 Years**

\* cited by examiner

(21) Appl. No.: **29/221,228**

(22) Filed: **Jan. 14, 2005**

*Primary Examiner*—Cathron C. Brooks

(51) **LOC (8) Cl.** ..... **06-04**

(52) **U.S. Cl.** ..... **D6/477**

(58) **Field of Classification Search** ..... D6/460,  
D6/461, 468, 474, 477-479; 312/7.2, 9.1;  
108/59, 91, 92, 96; 211/40, 41.12, 42, 49.1,  
211/50, 85.2, 90.04, 187, 190, 119.003, 134.153,  
211/87.01, 71.01

(74) *Attorney, Agent, or Firm*—Rader, Fishman & Grauer PLLC

See application file for complete search history.

(57) **CLAIM**

The ornamental design for a stand for television receiver, as shown.

(56) **References Cited**

**DESCRIPTION**

**U.S. PATENT DOCUMENTS**

D454,731 S	3/2002	Niitsu	
D463,409 S	9/2002	Niitsu	
D477,159 S	7/2003	Niitsu	
D477,292 S *	7/2003	Inoue et al.	..... D14/129
D484,332 S	12/2003	Niitsu	
D505,807 S *	6/2005	Goto et al.	..... D6/477
D506,328 S *	6/2005	Inoue	..... D6/477
D508,800 S *	8/2005	Sexton	..... D6/477
D517,838 S *	3/2006	Luong	..... D6/477

FIG. 1 is a perspective view of a stand for television receiver showing my new design;

FIG. 2 is a front elevational view thereof;

FIG. 3 is a rear elevational view thereof;

FIG. 4 is a left side elevational view thereof;

FIG. 5 is a right side elevational view thereof;

FIG. 6 is a top plan view thereof; and,

FIG. 7 is a bottom plan view thereof.

**1 Claim, 6 Drawing Sheets**

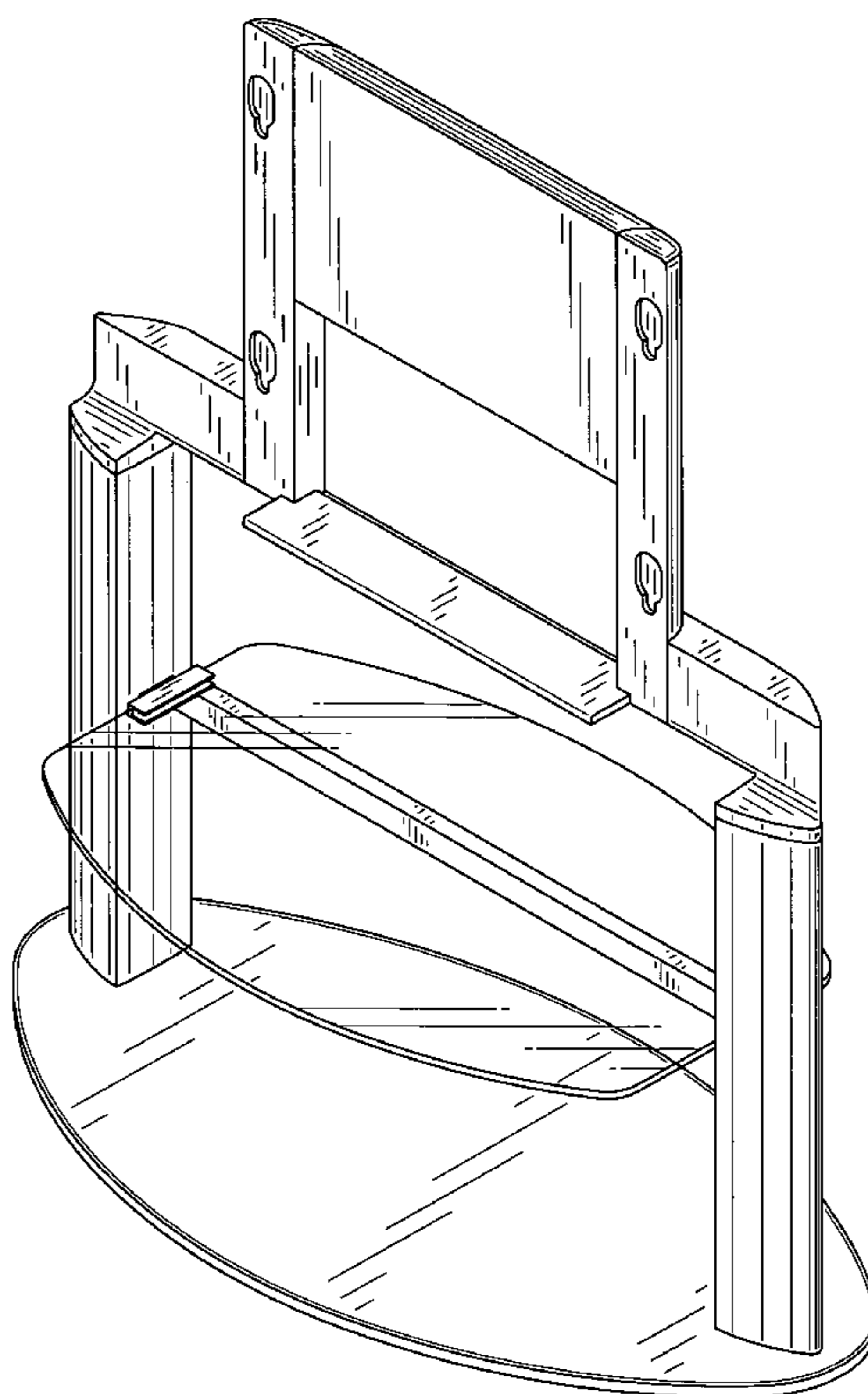


FIG. 1

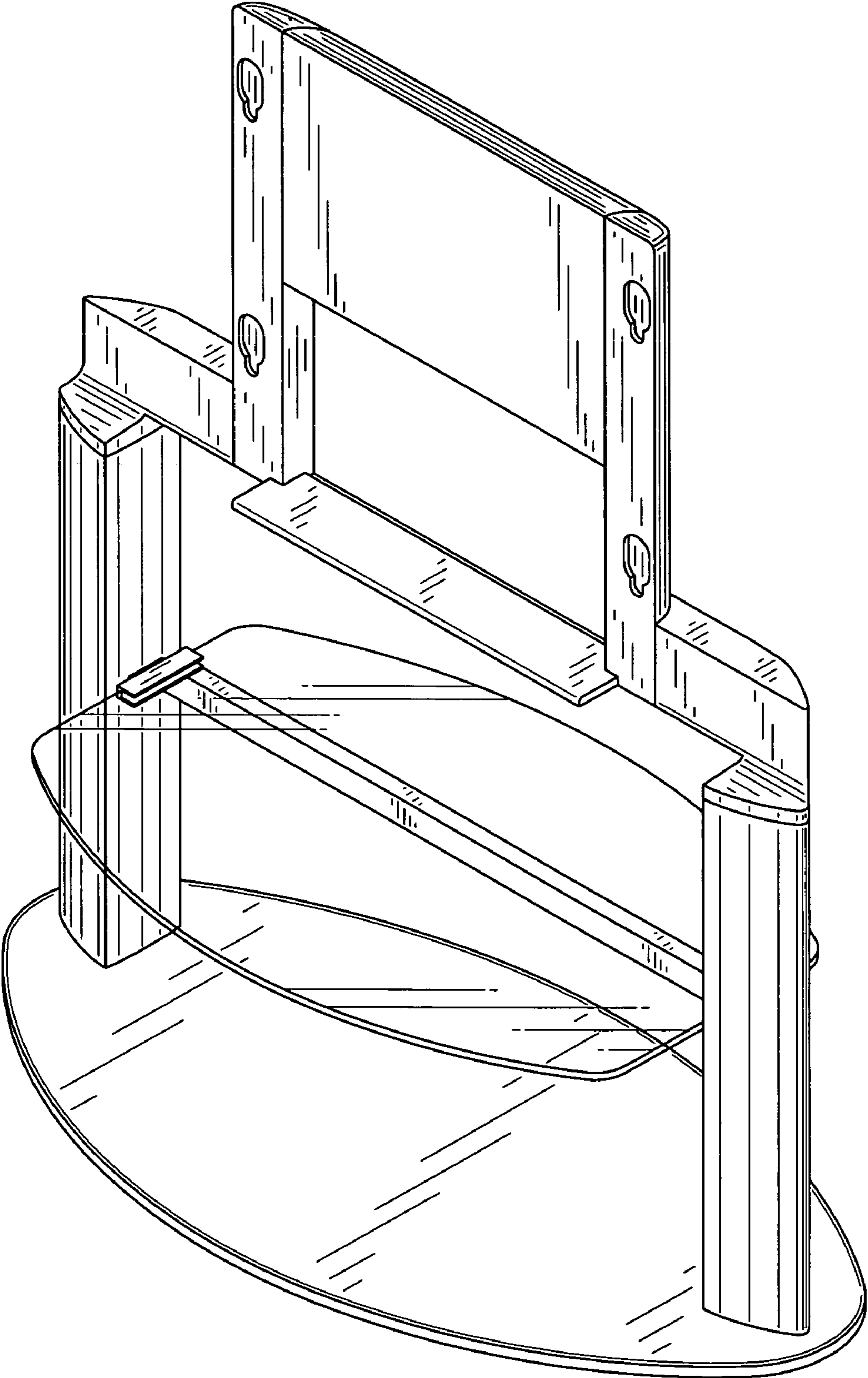


FIG.2

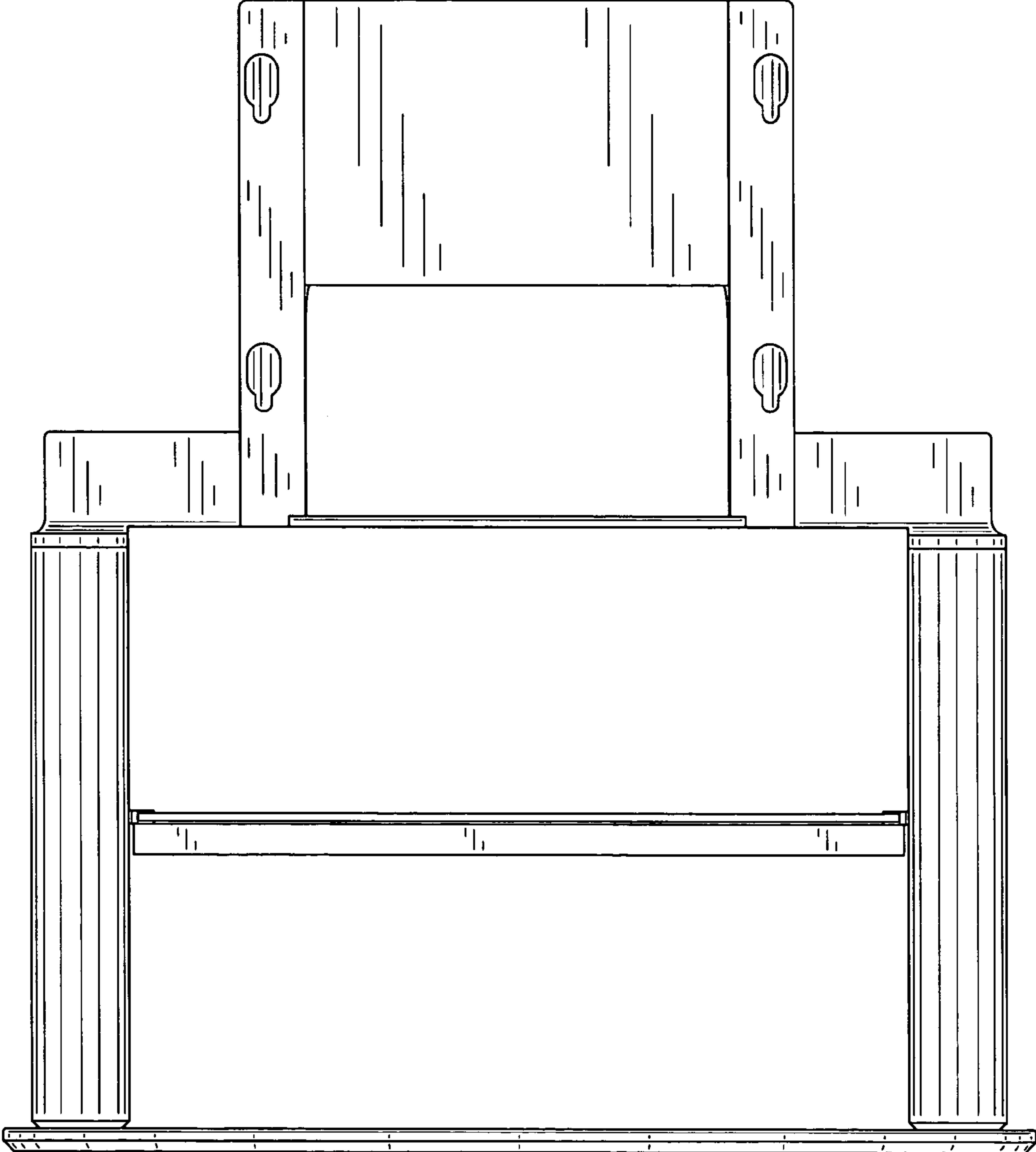


FIG.3

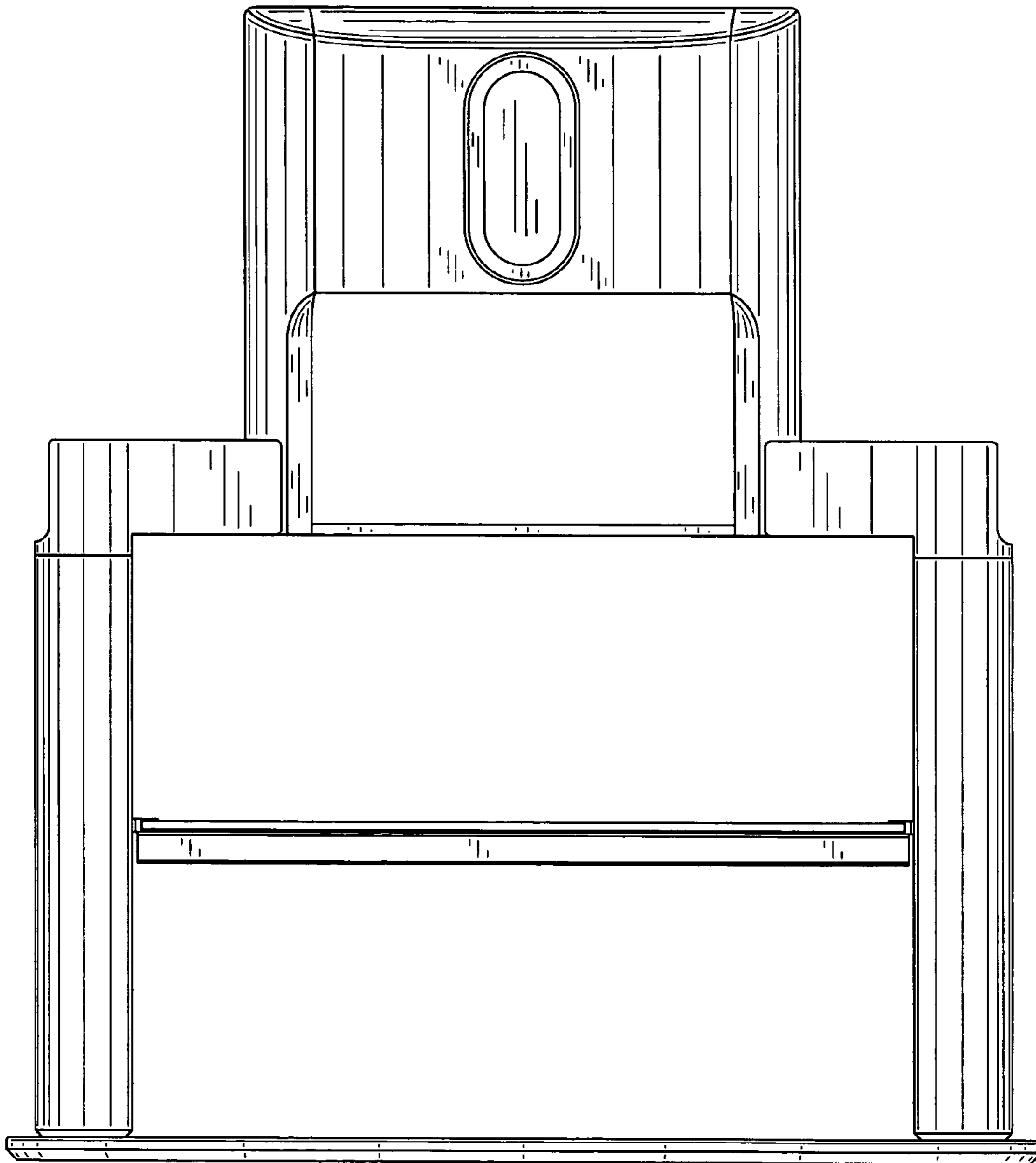


FIG.4

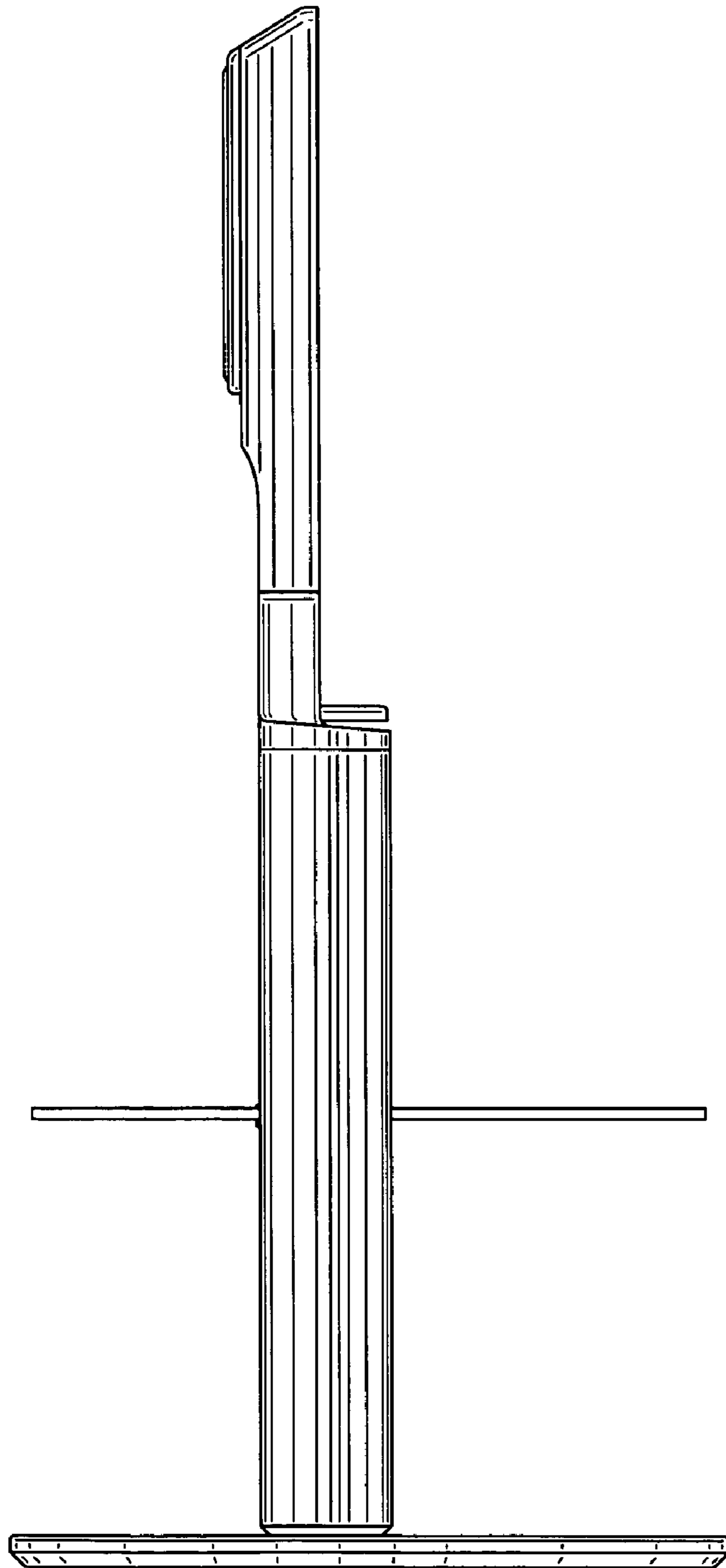


FIG.5

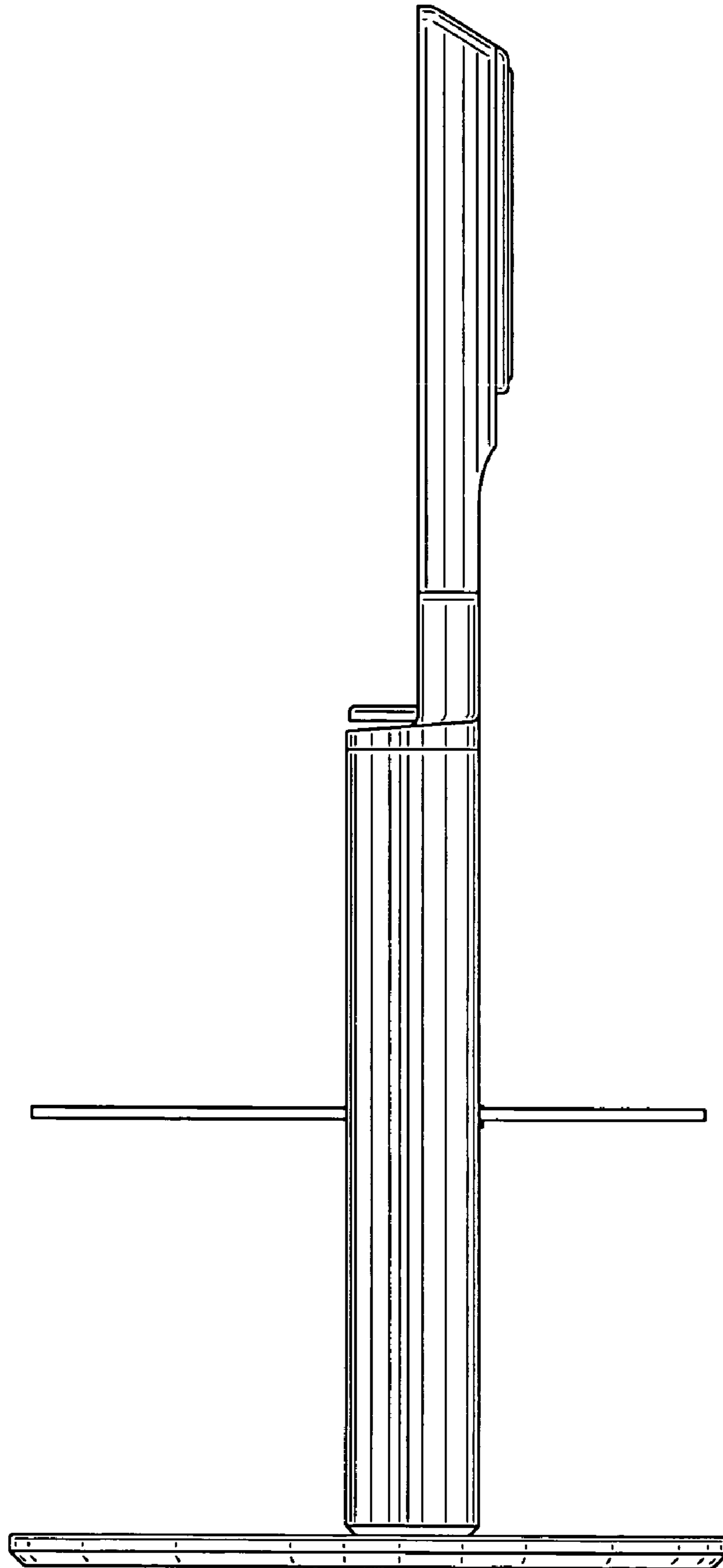


FIG.6

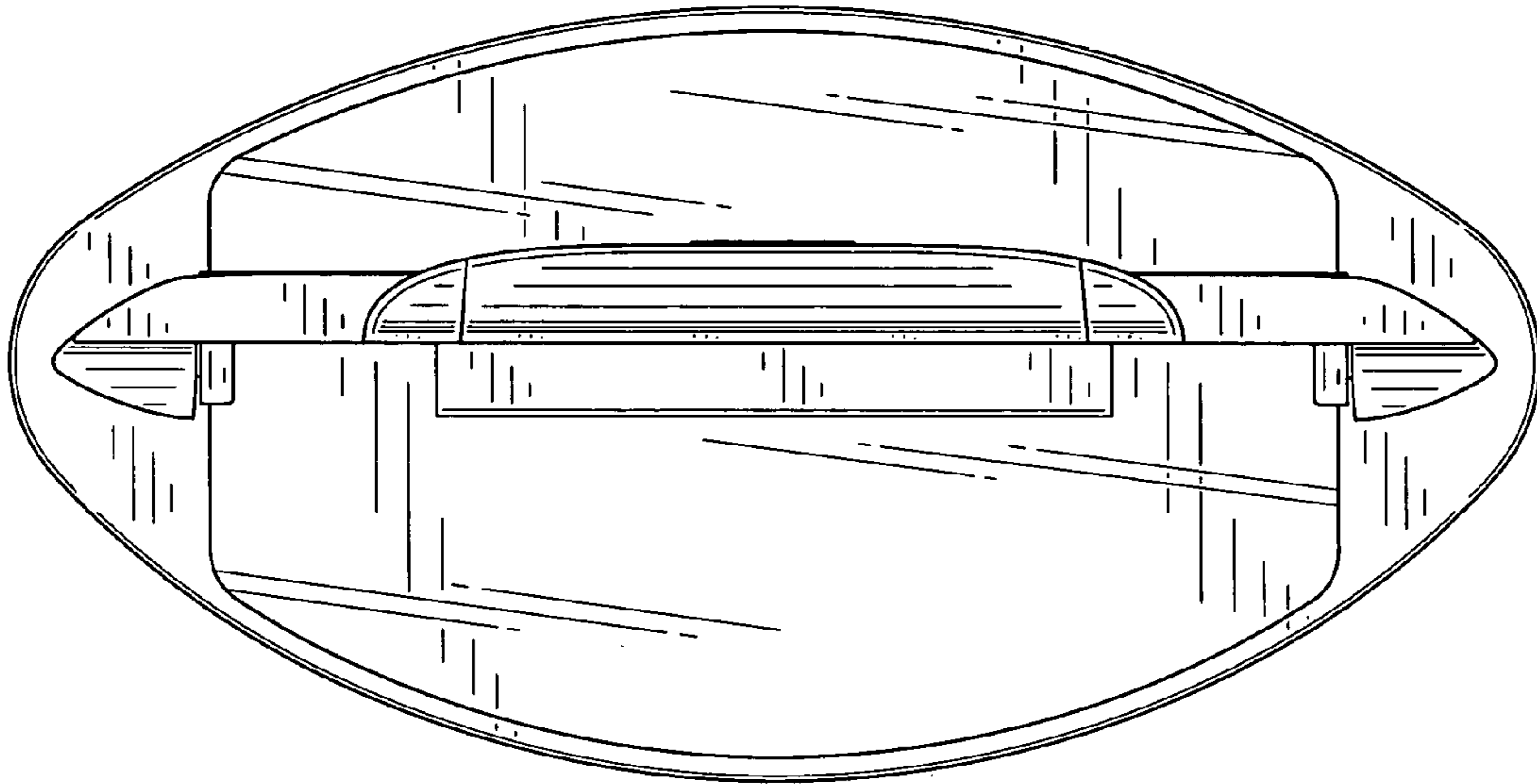


FIG.7

