

US00D544251S

(12) **United States Design Patent**  
**Daugherty et al.**

(10) **Patent No.:** **US D544,251 S**  
(45) **Date of Patent:** **\*\* Jun. 12, 2007**

(54) **DISPLAY RACK**

(75) Inventors: **Barbara Sue Daugherty**, Plano, TX (US); **Michael Robert Howley**, McKinney, TX (US); **Gregory Thomas McIntee**, Plano, TX (US); **Subriana McFadden Pierce**, Frisco, TX (US)

(73) Assignee: **Frito-Lay North America, Inc.**, Plano, TX (US)

(\*\*) Term: **14 Years**

(21) Appl. No.: **29/247,360**

(22) Filed: **Jun. 13, 2006**

(51) **LOC (8) Cl.** ..... **06-04**

(52) **U.S. Cl.** ..... **D6/463**

(58) **Field of Classification Search** ..... D6/408,  
D6/407, 462-465, 515, 512, 552, 458-460;  
211/90.03, 112, 90.04, 113, 181.1, 189, 198,  
211/55, 50, 49.1, 106, 184, 59.2, 134

See application file for complete search history.

(56) **References Cited**

U.S. PATENT DOCUMENTS

2,382,191 A	8/1945	Weichselbaum	
D161,477 S *	1/1951	Lieber et al.	D6/463
D162,397 S *	3/1951	Pink	D6/463
D181,322 S *	10/1957	Streich	D6/408
2,852,327 A	9/1958	Mason	
D185,660 S *	7/1959	Crookes	D6/408
2,996,344 A	8/1961	Garman	
D192,378 S *	3/1962	Combs	D6/408
3,083,836 A *	4/1963	Bussemer	211/134
D200,617 S	3/1965	Smith	
3,178,242 A	4/1965	Ellis et al.	
3,203,553 A *	8/1965	Pendergrast, Jr. et al.	211/59.2
D211,918 S *	8/1968	Wilder	D6/408
3,406,855 A	10/1968	McKechnie	
3,941,247 A	3/1976	Cripe	
D244,120 S	4/1977	Pieper	
4,105,126 A	8/1978	Deffner et al.	
4,228,903 A	10/1980	Eckert	

4,356,923 A	11/1982	Young et al.	
4,401,255 A	8/1983	Conroy et al.	
4,426,008 A *	1/1984	Olson et al.	D6/408
4,676,371 A	6/1987	Byrne	
4,730,799 A *	3/1988	Foss et al.	248/51
D298,713 S	11/1988	Hinderaker et al.	
4,998,628 A	3/1991	Ross	
5,020,719 A	6/1991	Roth et al.	
D321,609 S *	11/1991	Dardashti	D6/408

(Continued)

*Primary Examiner*—Janice E. Seeger

*Assistant Examiner*—Sydney R. Buffalow

(74) *Attorney, Agent, or Firm*—Carstens & Cahoon, LLP;  
Colin P. Cahoon

(57) **CLAIM**

The ornamental design for a display rack, as shown and described.

**DESCRIPTION**

FIG. 1 is a perspective view of the display rack of the present invention;

FIG. 2 is a front elevation view of the display rack of the present invention;

FIG. 3 is a left elevation view of the display rack of the present invention, with the right elevation view a mirror image of the left elevation view;

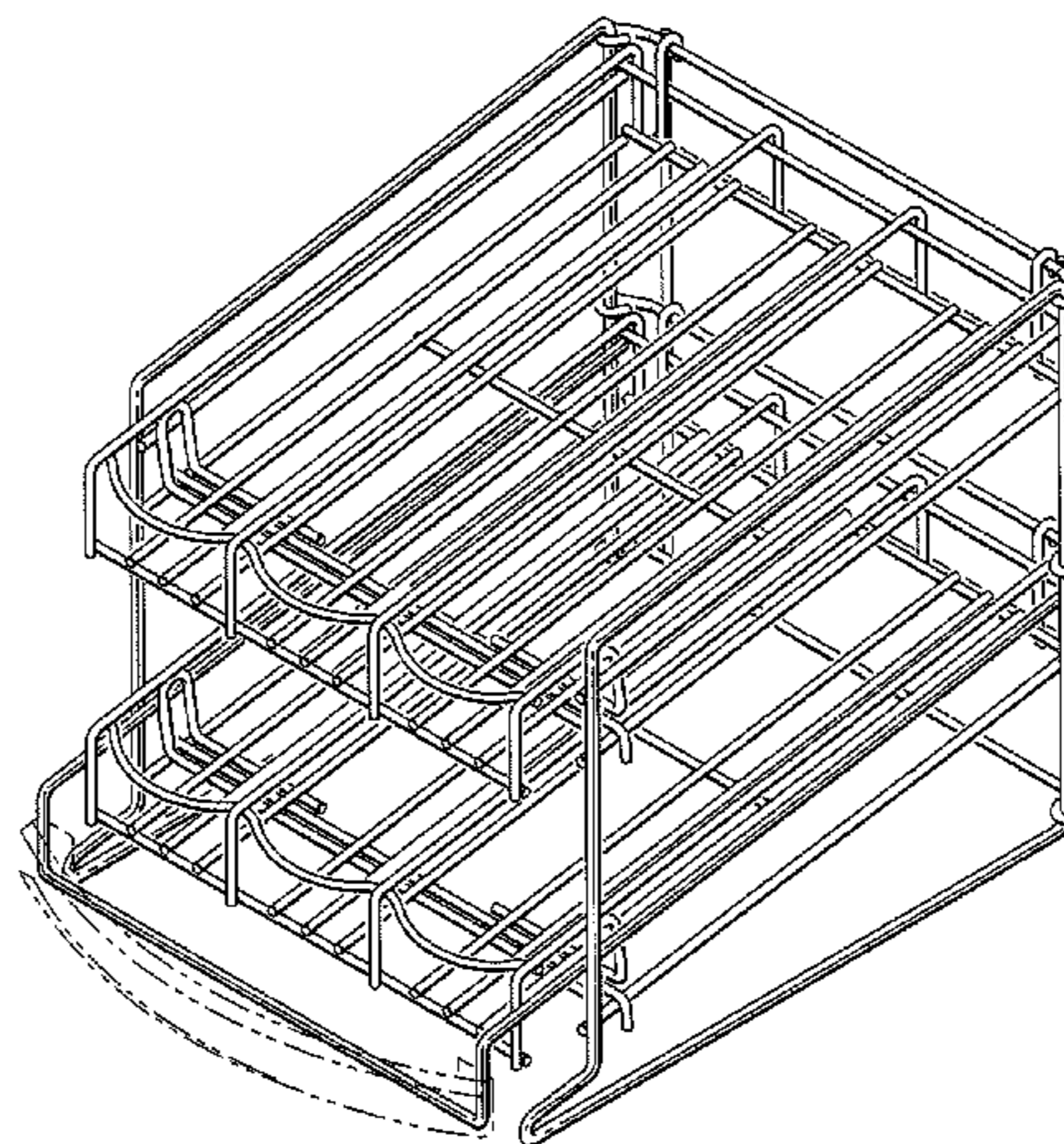
FIG. 4 is a rear elevation view of the display rack of the present invention;

FIG. 5 is a top plan view of the display rack of the present invention; and,

FIG. 6 is a bottom plan view of the display rack of the present invention.

The broken line showing of a channel strip in FIG. 1 is for illustrative purposes only and forms no part of the claimed design.

**1 Claim, 5 Drawing Sheets**



# US D544,251 S

Page 2

## U.S. PATENT DOCUMENTS

5,137,211 A	8/1992	Summer et al.	D381,849 S	8/1997	Snyder
5,228,590 A	7/1993	Blasko et al.	D381,854 S	8/1997	Moeller et al.
5,248,681 A	9/1993	Cooper	5,680,744 A	10/1997	Kramedjian et al.
D342,420 S	12/1993	Ienna	5,775,574 A	7/1998	Whitnell
5,289,943 A	3/1994	Powell	5,788,117 A	8/1998	Zimmanck
5,295,608 A	3/1994	Blasko et al.	5,794,817 A	8/1998	Rosa
D347,922 S *	6/1994	Trevaskis ..... D6/515	D402,837 S	12/1998	Boire et al.
5,368,191 A	11/1994	Johnson	D405,622 S	2/1999	Linz
D354,181 S	1/1995	Smith et al.	5,924,778 A	7/1999	TenBrink
5,390,821 A	2/1995	Markel	D417,975 S	12/1999	Linz
5,392,985 A	2/1995	Smith et al.	6,230,933 B1	5/2001	Wysoczynski
5,396,997 A	3/1995	Johnson	6,247,593 B1	6/2001	Ruble
D356,916 S	4/1995	Chadwick	D446,968 S *	8/2001	Spencer ..... D6/462
D369,708 S	5/1996	Breen	6,283,293 B1	9/2001	Lingamfelter
5,531,517 A	7/1996	Alpen	6,431,375 B2 *	8/2002	Spencer ..... 211/106
D380,113 S	6/1997	Byrd	2002/0008074 A1 *	1/2002	Spencer ..... 211/49.1

\* cited by examiner

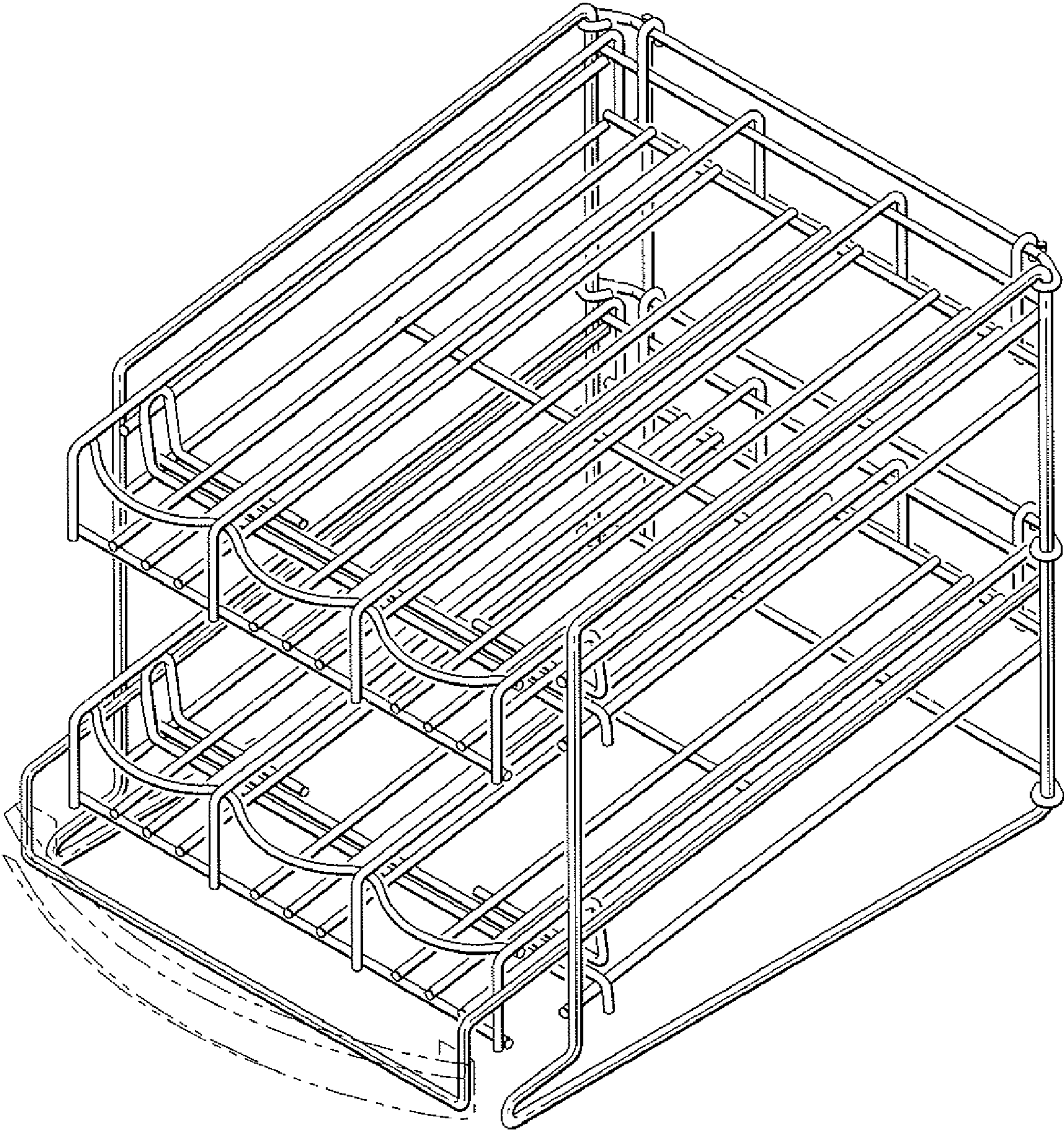


FIG. 1

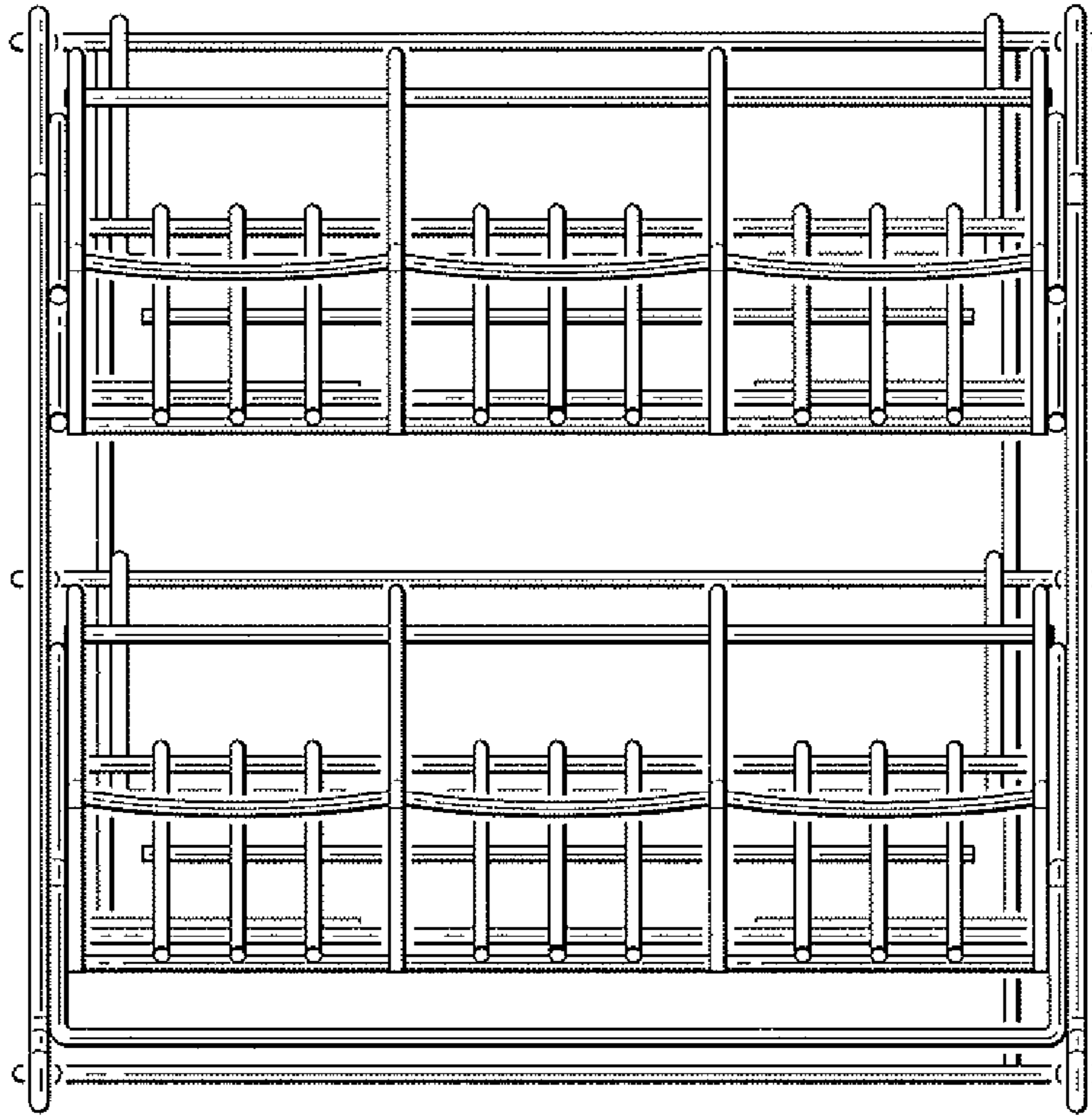


FIG. 2

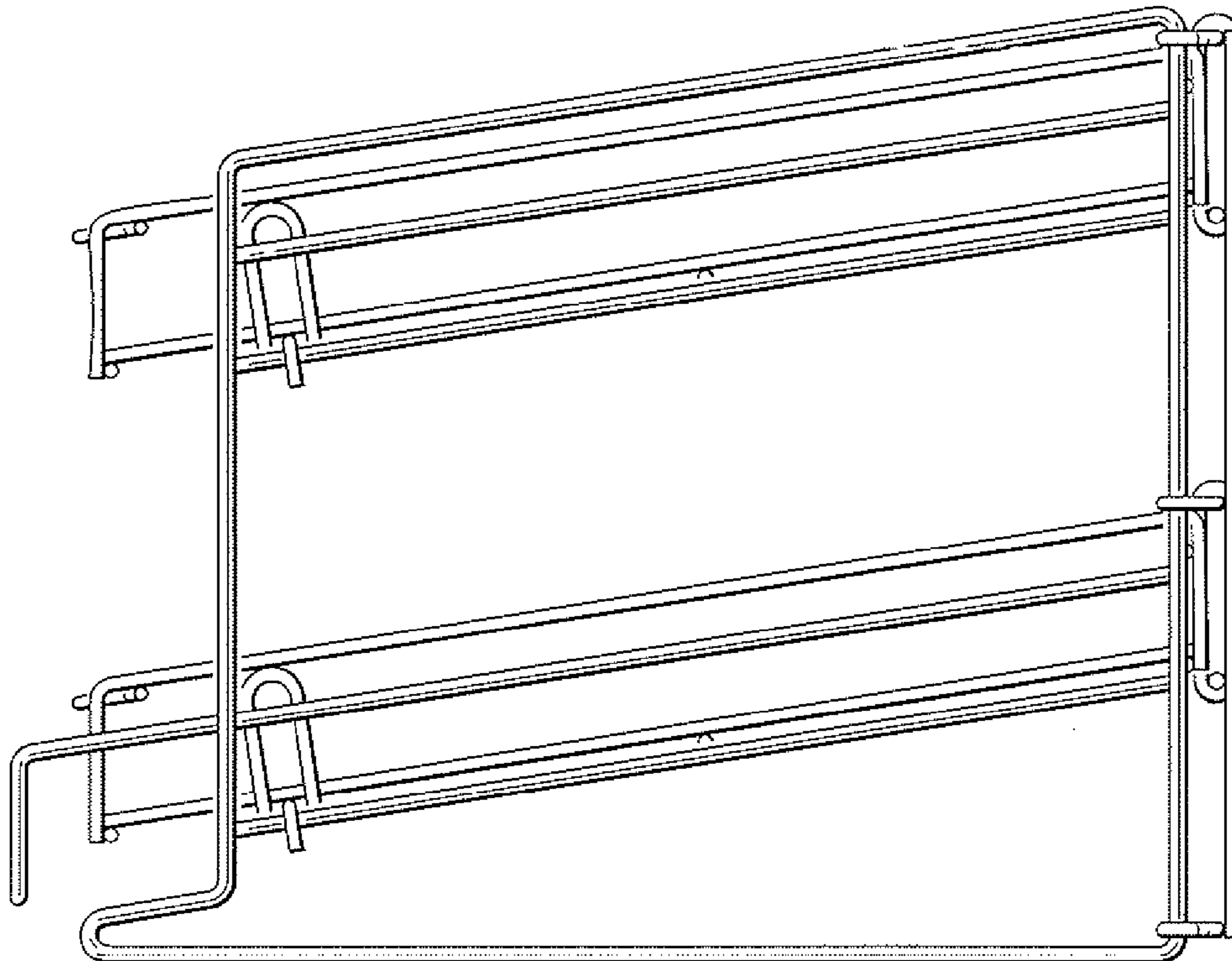
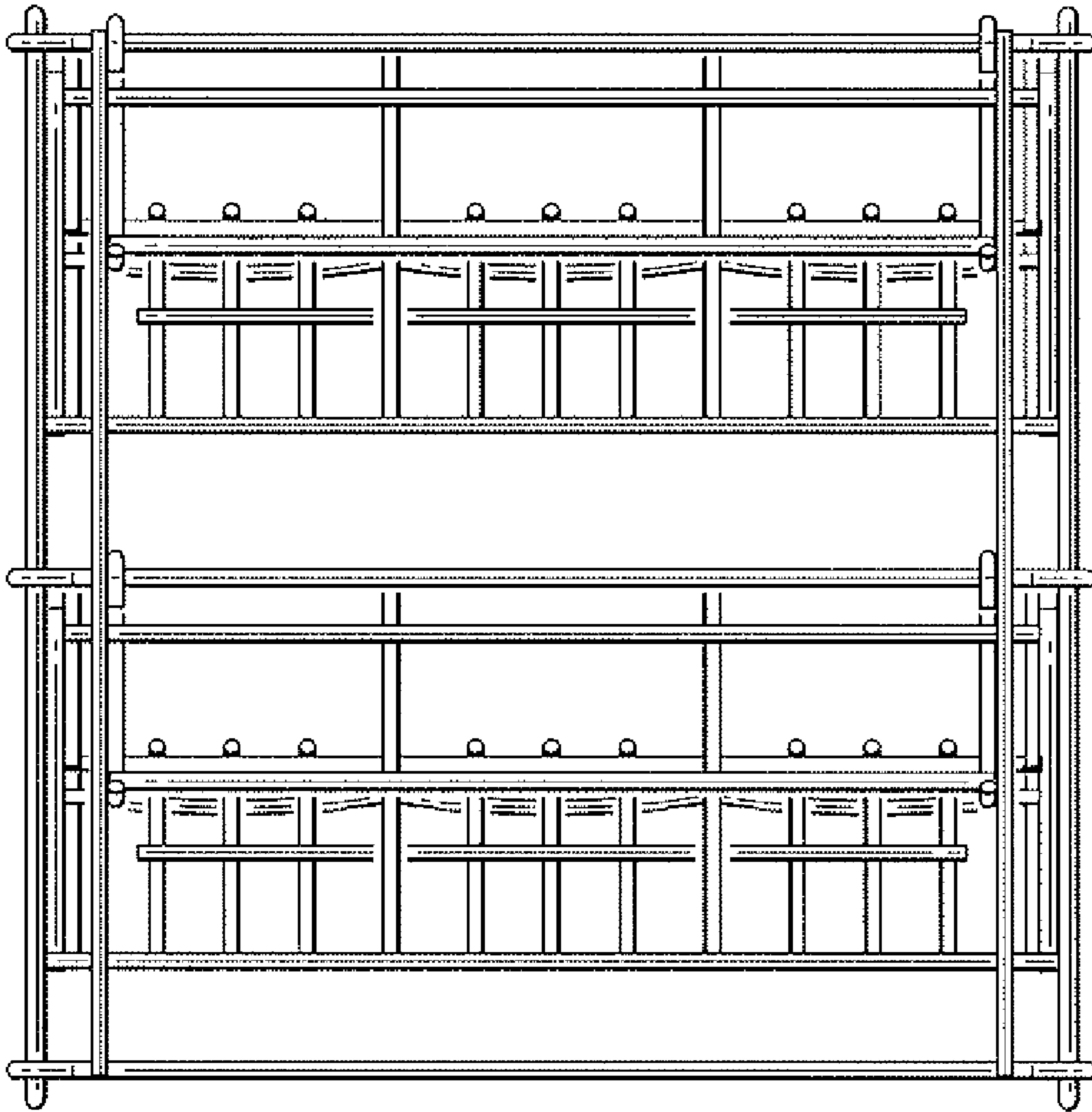


FIG. 3



*FIG. 4*

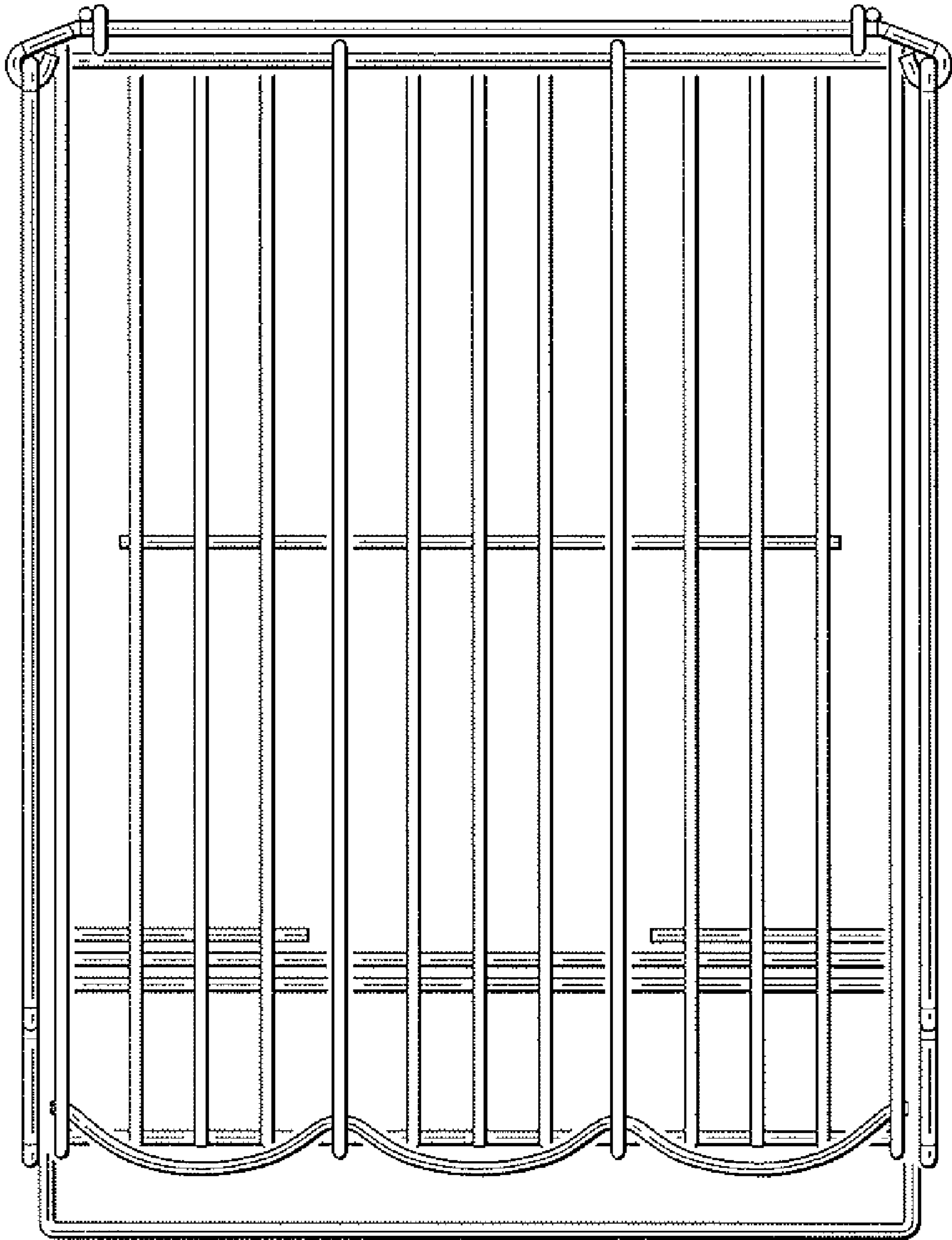


FIG. 5

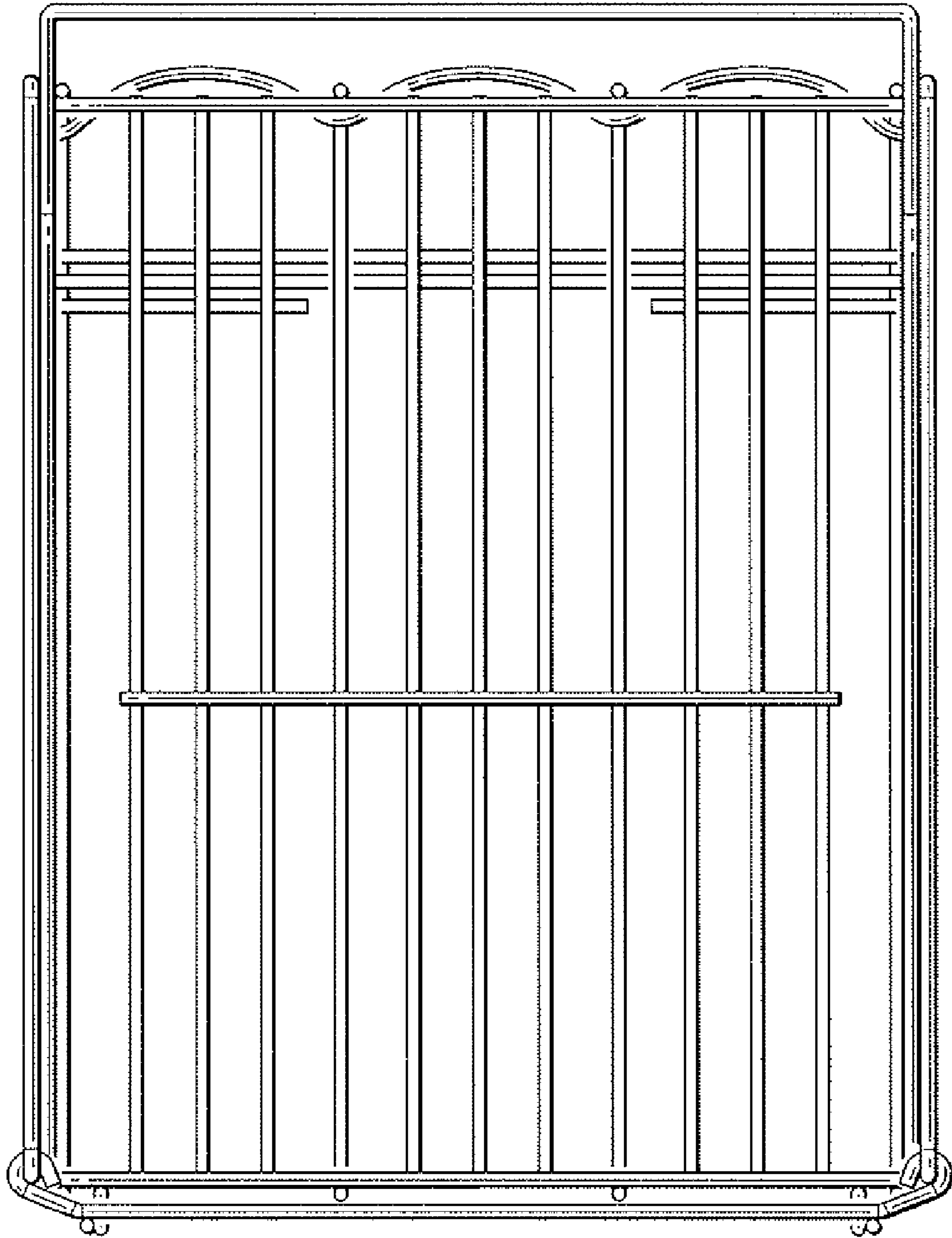


FIG. 6