



US00D544248S

(12) **United States Design Patent**  
**Parisot**

(10) **Patent No.:** **US D544,248 S**  
(45) **Date of Patent:** **\*\* Jun. 12, 2007**

(54) **TABLE WITH POWER SUPPLY**

(75) Inventor: **Bernard Parisot**, Rye, NY (US)

(73) Assignee: **JCDecaux SA**, Neuilly (FR)

(\*\*) Term: **14 Years**

(21) Appl. No.: **29/241,921**

(22) Filed: **Nov. 2, 2005**

(51) **LOC (8) Cl.** ..... **06-06**

(52) **U.S. Cl.** ..... **D6/397; D6/486; D6/399;**  
D6/495

(58) **Field of Classification Search** ..... D6/480-489,  
D6/511, 429-431, 495-499, 397, 399, 415;  
108/150, 155, 153.1, 156, 157.1, 161; D20/19,  
D20/41; D13/139.4; D26/58

See application file for complete search history.

(56) **References Cited**

**U.S. PATENT DOCUMENTS**

D195,567 S *	7/1963	Glettsman	.....	D6/414
D195,571 S *	7/1963	Glettsman	.....	D6/414
D222,567 S *	11/1971	Cohen	.....	D6/414
D228,984 S *	11/1973	Miller	.....	D6/458
D365,237 S *	12/1995	Stirling et al.	.....	D6/552
D396,123 S *	7/1998	Swanson	.....	D26/102

**OTHER PUBLICATIONS**

Lowenstein Oggo, Catalist 15, Jun. 1, 1986, p. 53, table #138 at lower left.\*

\* cited by examiner

*Primary Examiner*—Janice E. Seeger

(74) *Attorney, Agent, or Firm*—Greenberg Traurig, LLP

(57) **CLAIM**

The ornamental design for a table with power supply, as shown and described.

**DESCRIPTION**

FIG. 1 is a perspective view (showing the top and front) of a table with power supply in accordance with my new design;

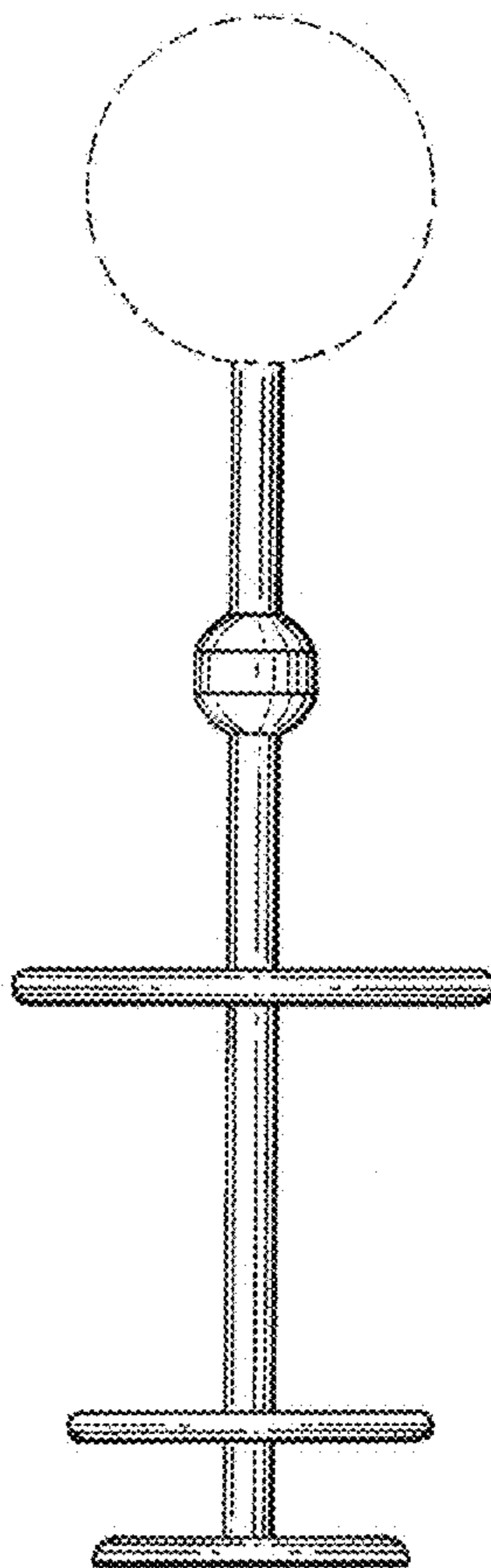
FIG. 2 is a top view of the table with power supply of FIG. 1;

FIG. 3 is a side elevational view; and,

FIG. 4 is a bottom plan view thereof.

The broken lines outlining the top portion in FIGS. 1, 2 and 3 are for illustrative purposes only and form no part of the claimed design.

**1 Claim, 2 Drawing Sheets**



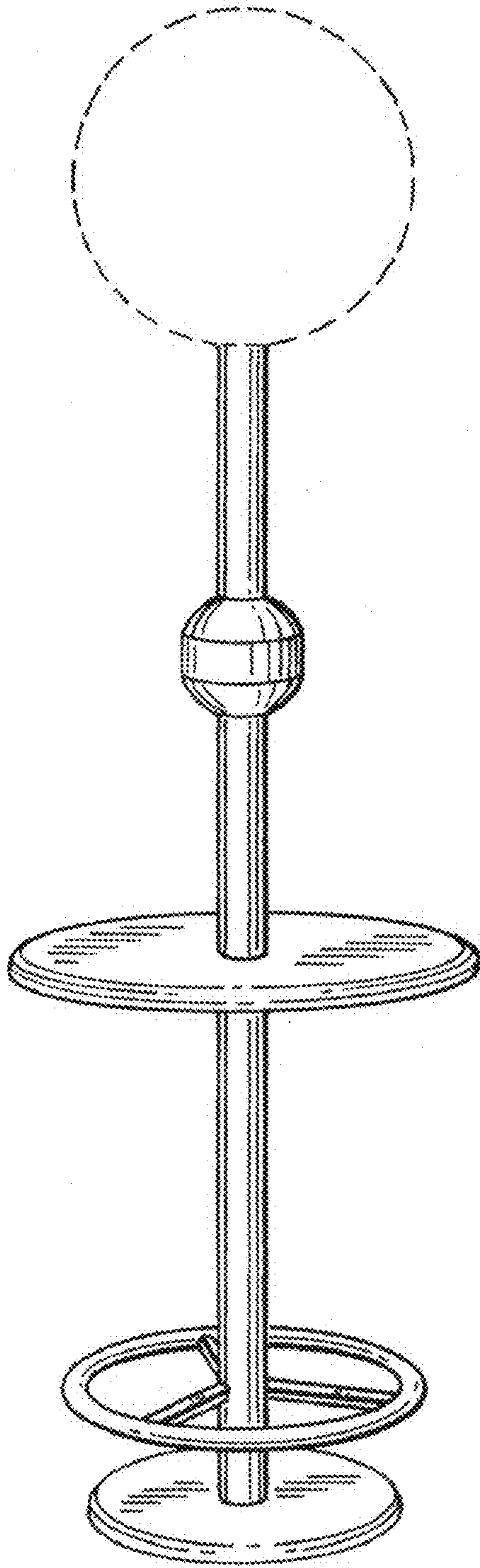


FIG. 1

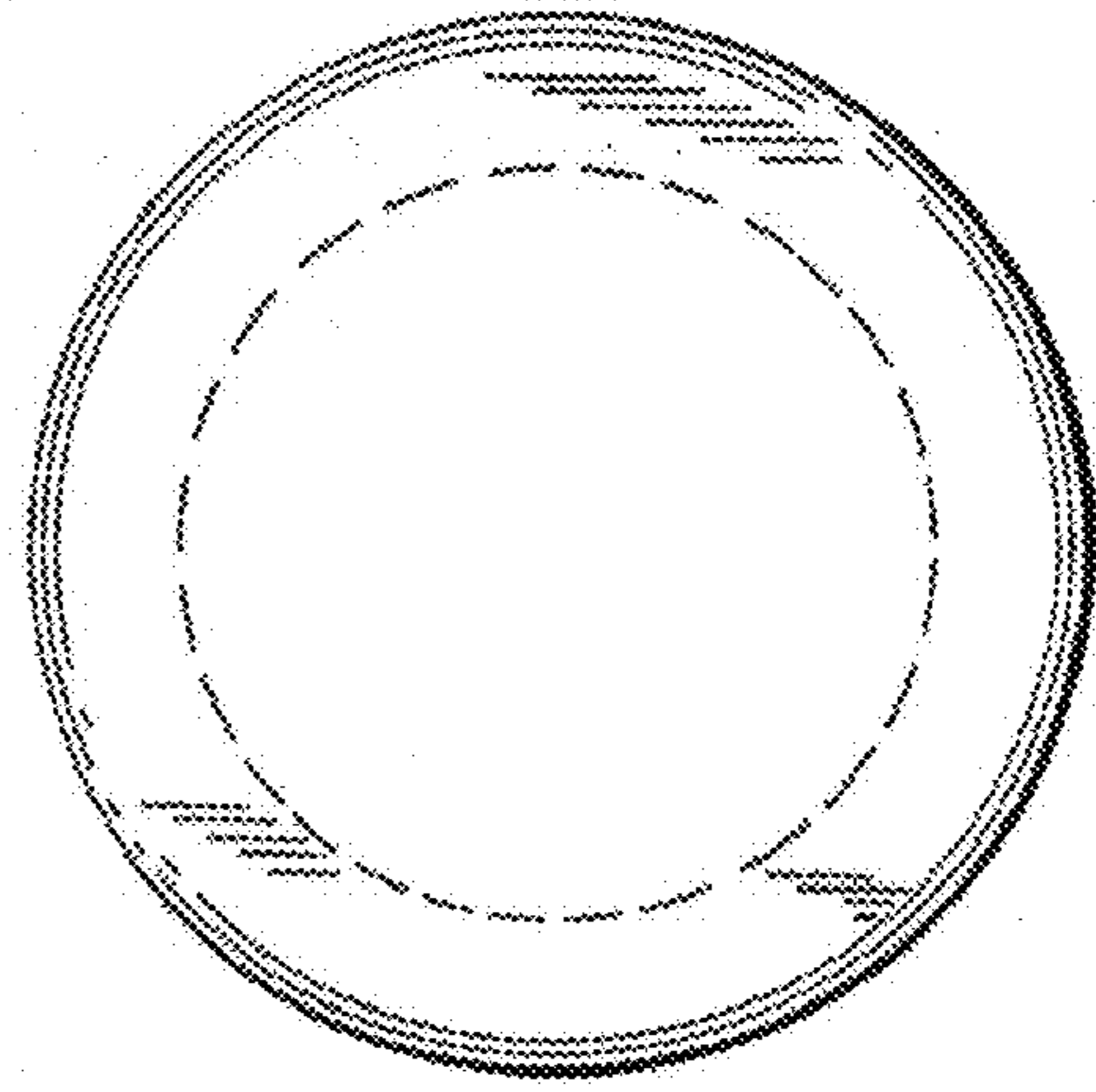


FIG. 2

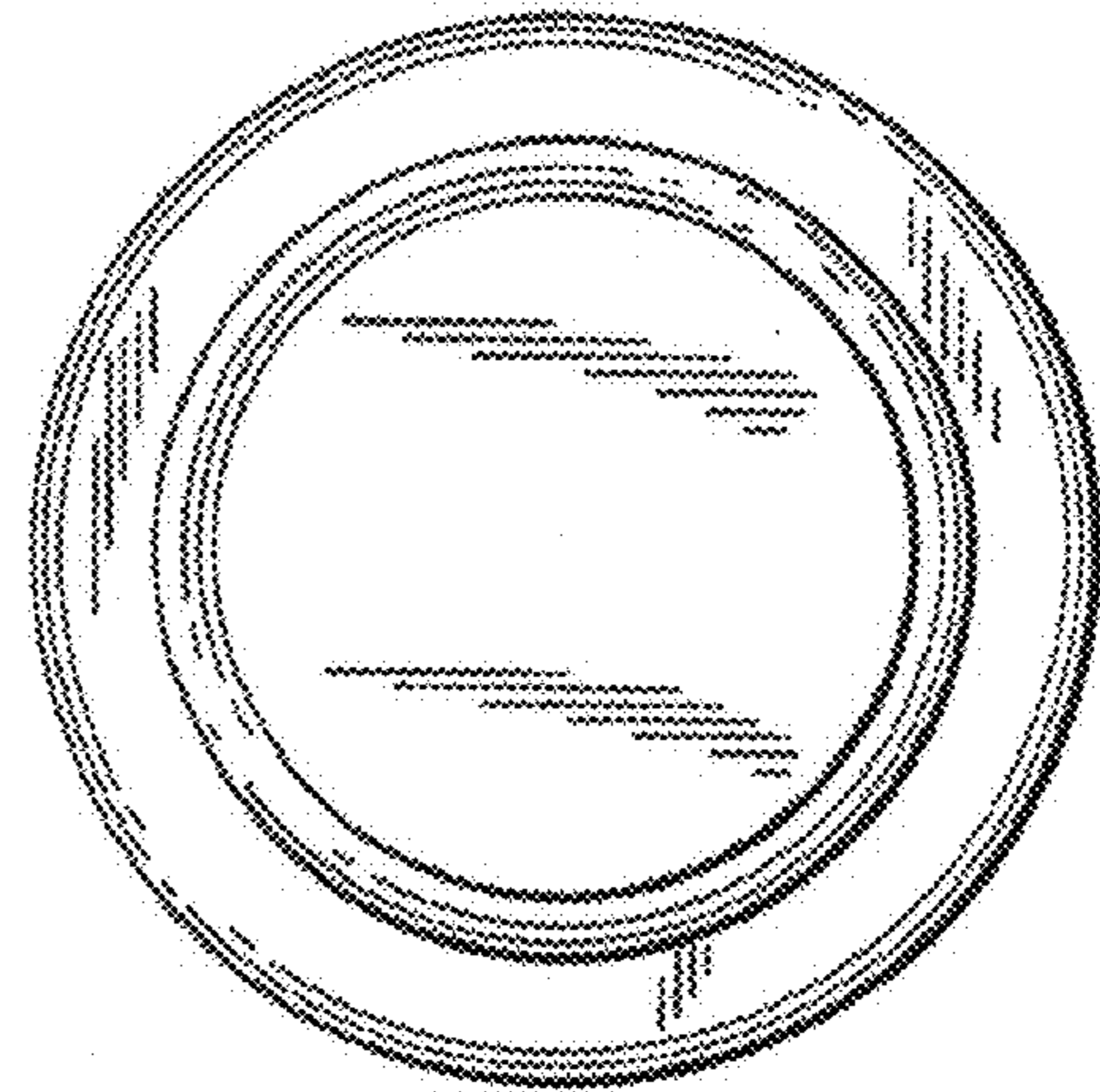


FIG. 4

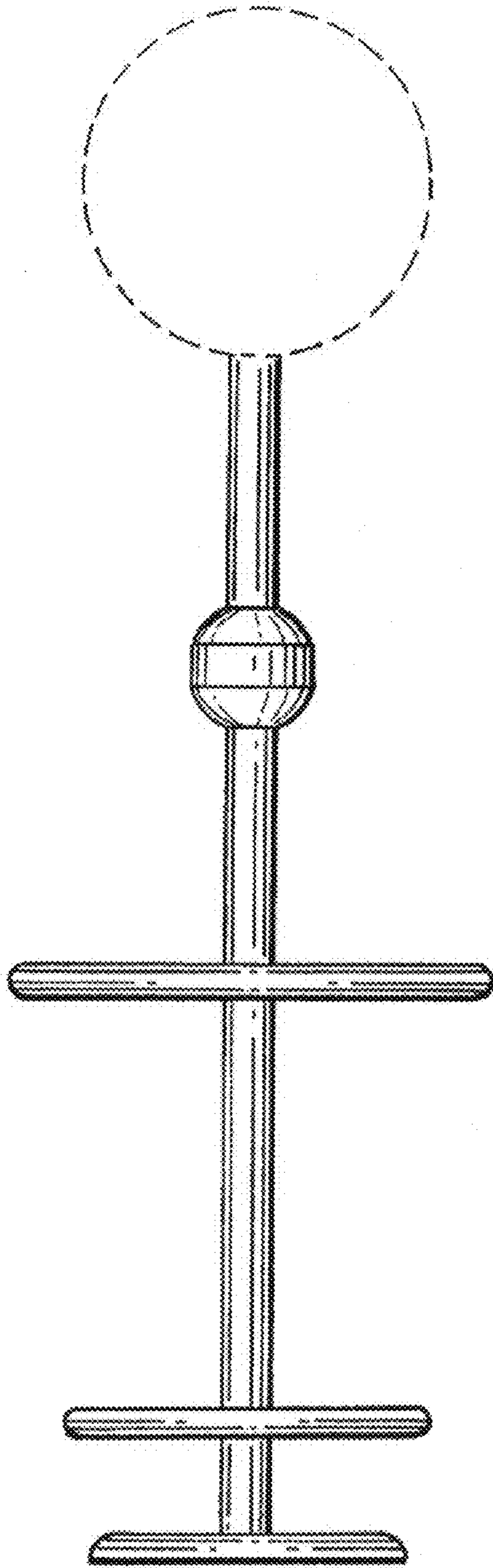


FIG. 3