



US00D544247S

(12) **United States Design Patent**
Natuzzi

(10) **Patent No.:** **US D544,247 S**
(45) **Date of Patent:** **** Jun. 12, 2007**

(54) **SOFA**
(75) Inventor: **Pasquale Natuzzi**, Santeramo in Colle
Bari (IT)
(73) Assignee: **Natuzzi S.p.A.**, Bari (IT)
(**) Term: **14 Years**
(21) Appl. No.: **29/240,605**
(22) Filed: **Oct. 14, 2005**

(51) **LOC (8) Cl.** **06-01**
(52) **U.S. Cl.** **D6/381**
(58) **Field of Classification Search** D6/334-336,
D6/371, 381, 500-502, 349, 369, 370, 372,
D6/376, 379, 380; 297/232, 445.1, 451.3,
297/451.9; 5/12.1
See application file for complete search history.

(56) **References Cited**
U.S. PATENT DOCUMENTS

D368,598 S *	4/1996	Natuzzi et al.	D6/381
D372,370 S *	8/1996	Natuzzi et al.	D6/381
D381,528 S *	7/1997	Natuzzi et al.	D6/381
D382,723 S *	8/1997	Natuzzi et al.	D6/381
D384,215 S *	9/1997	Chandler	D6/381
D415,628 S *	10/1999	Lewis	D6/381
D431,924 S *	10/2000	Natuzzi et al.	D6/381
D431,929 S *	10/2000	Natuzzi et al.	D6/381
D434,244 S *	11/2000	Natuzzi et al.	D6/381
D438,721 S *	3/2001	Binder et al.	D6/381
D444,642 S *	7/2001	Leon et al.	D6/381

D459,607 S *	7/2002	Gibson	D6/381
D466,323 S *	12/2002	Gibson	D6/381
D466,715 S *	12/2002	Gibson	D6/381
D468,125 S *	1/2003	Gibson	D6/381
D475,217 S *	6/2003	Ricci	D6/381
D489,187 S *	5/2004	Natuzzi	D6/334
D490,999 S *	6/2004	Ricci	D6/381
D499,265 S *	12/2004	Ricci	D6/381
D499,571 S *	12/2004	Mohundro	D6/381
D501,330 S *	2/2005	Gomez	D6/334
D525,454 S *	7/2006	Natuzzi	D6/381
D526,806 S *	8/2006	Natuzzi	D6/381

* cited by examiner

Primary Examiner—Sandra Snapp
(74) *Attorney, Agent, or Firm*—Egbert Law Offices

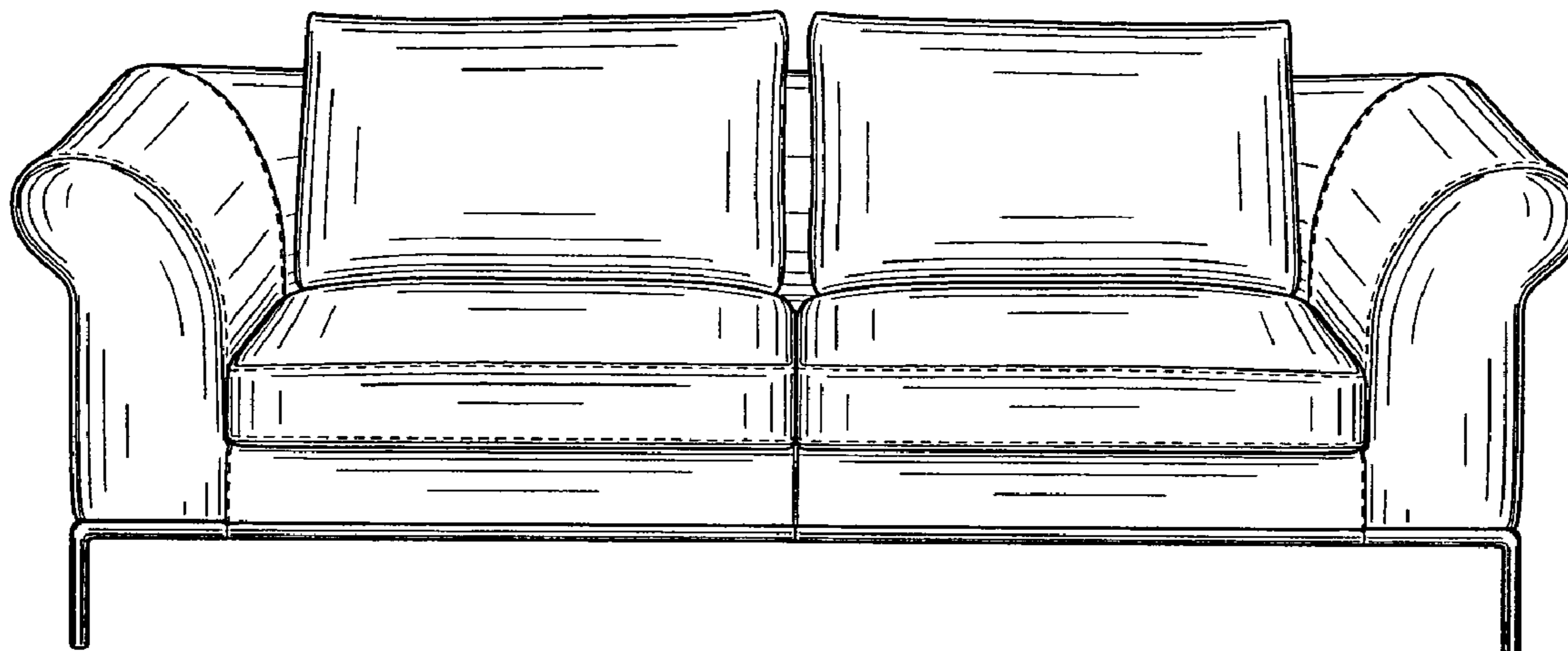
(57) **CLAIM**

I claim the ornamental design for a sofa, as shown and described.

DESCRIPTION

FIG. 1 is a front perspective view of the sofa showing my design;
FIG. 2 is top plan view thereof;
FIG. 3 is a back perspective view thereof; and,
FIG. 4 is a side view thereof, an opposite side view being a mirror image thereof.
The broken lines shown on the sofa are understood to represent stitching.

1 Claim, 2 Drawing Sheets



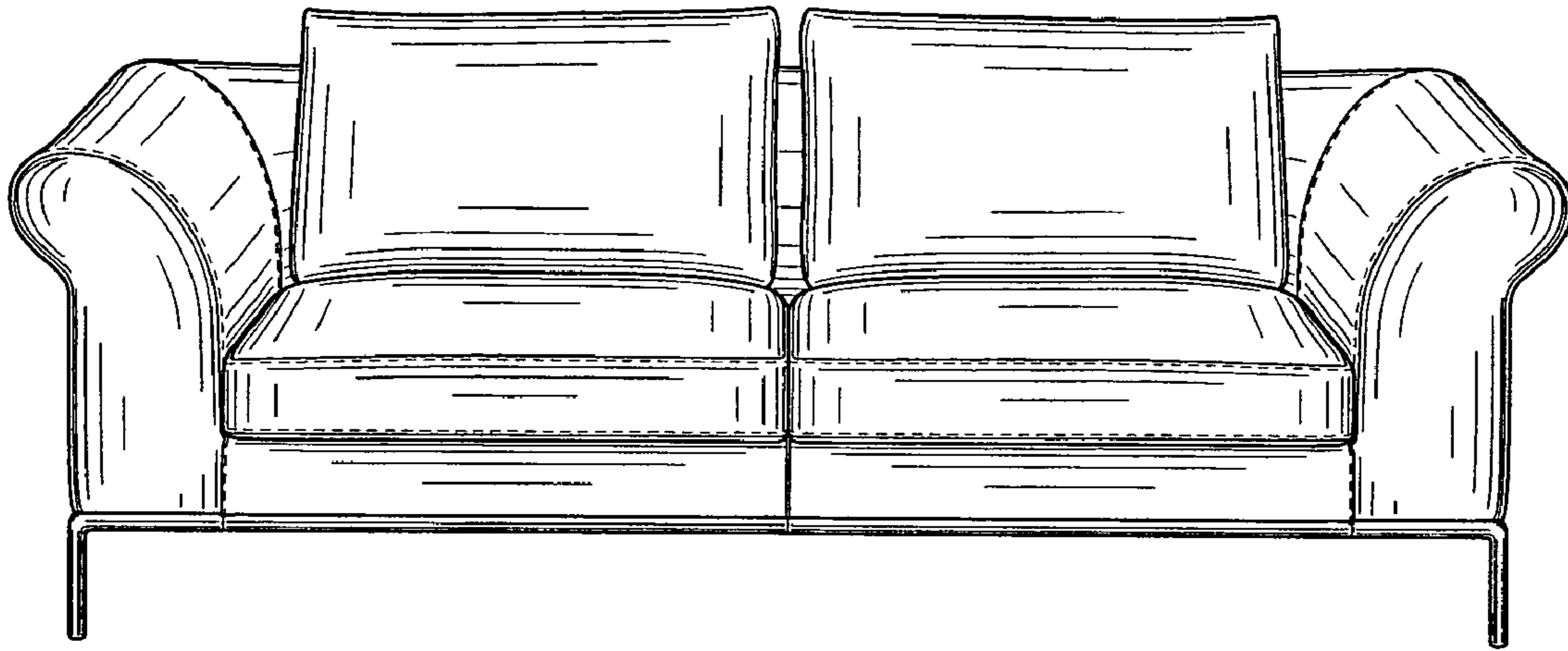


FIG. 1

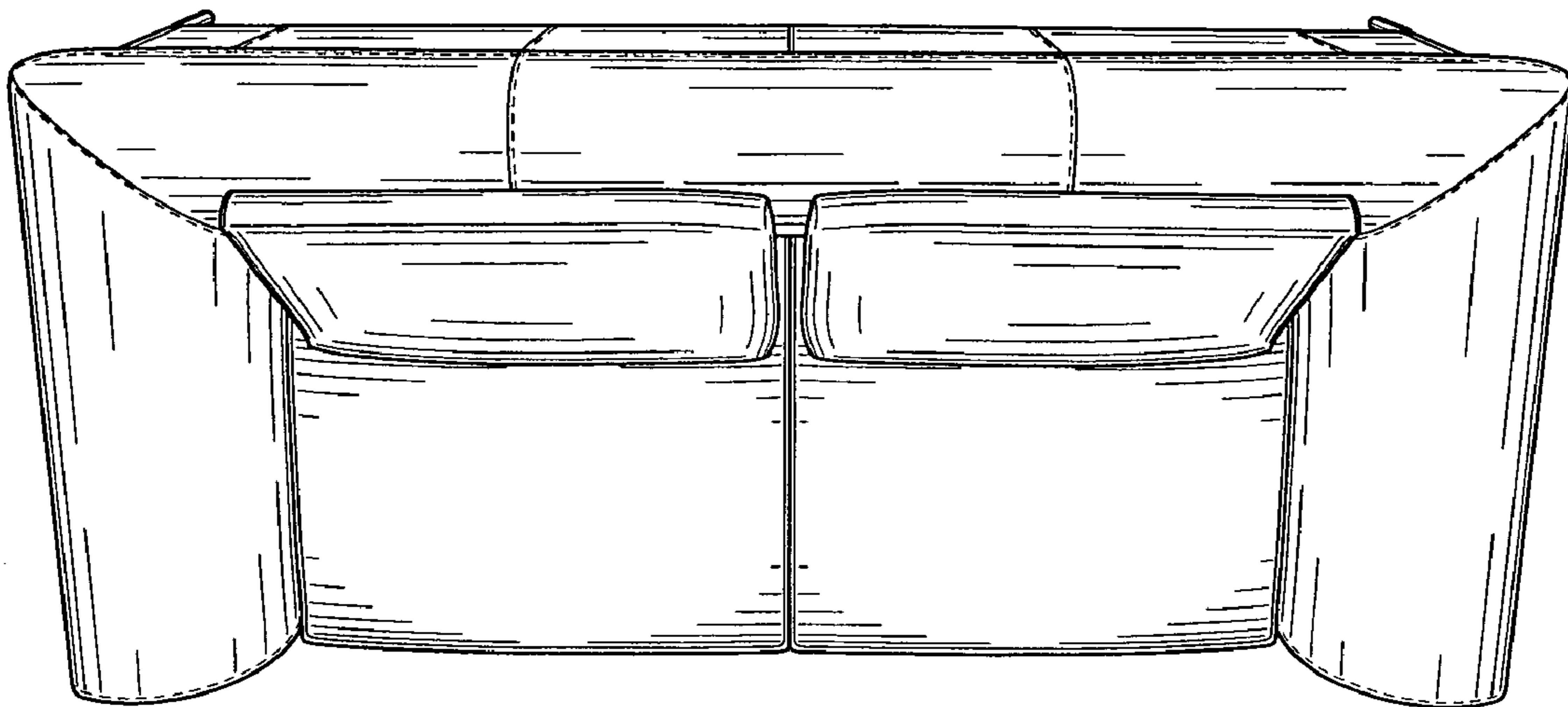


FIG. 2

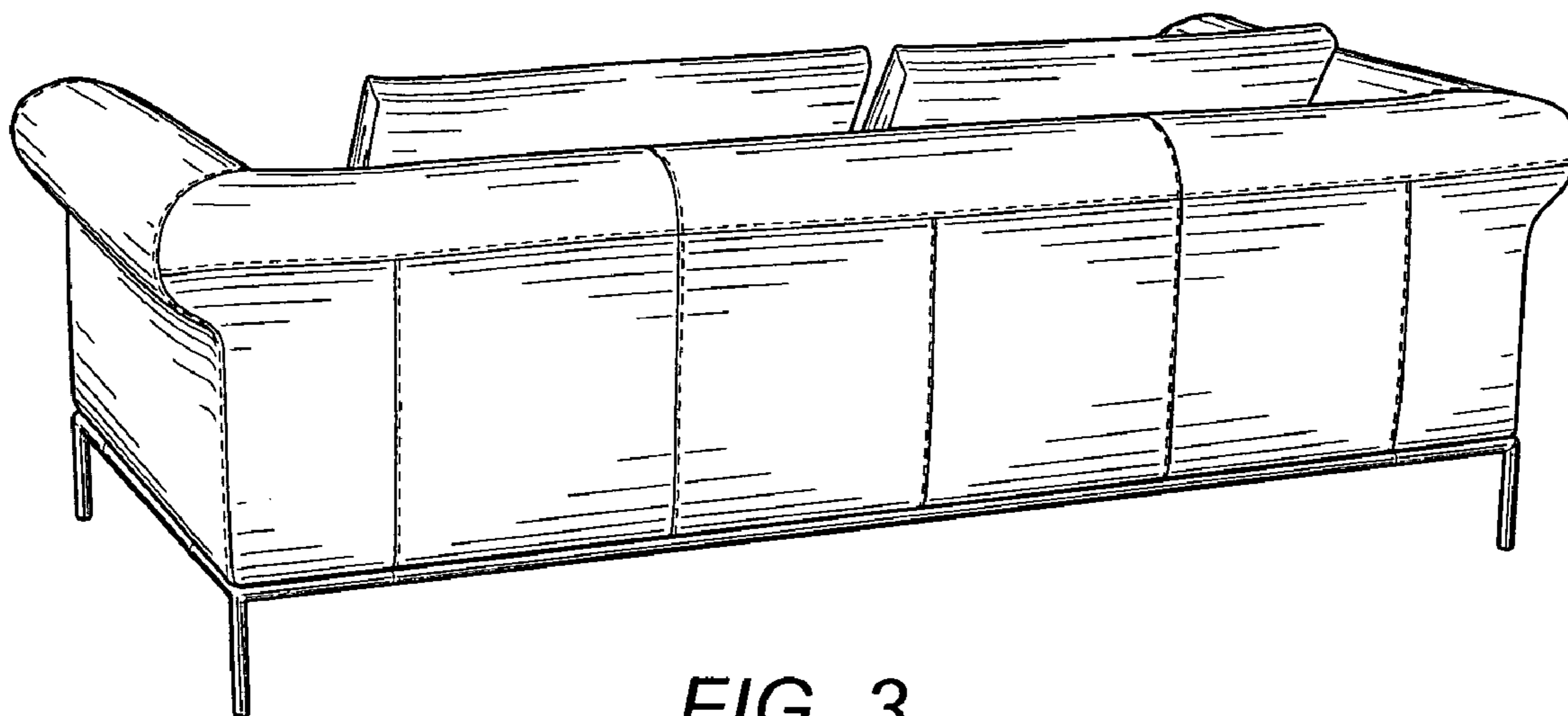


FIG. 3

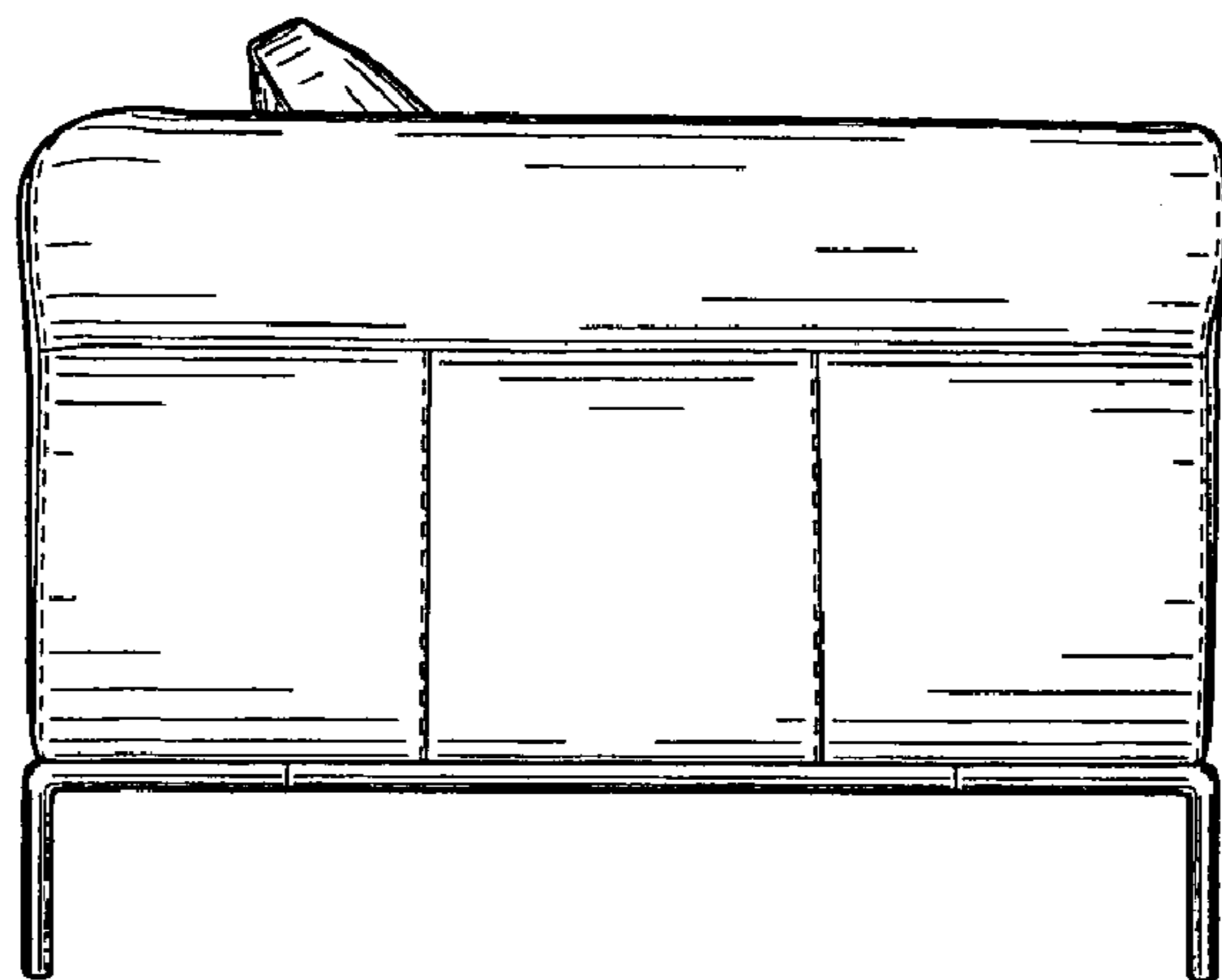


FIG. 4