

US00D544239S

(12) **United States Design Patent**
Ricci

(10) **Patent No.:** **US D544,239 S**
(45) **Date of Patent:** **** Jun. 12, 2007**

- (54) **SEAT**
- (75) Inventor: **Luca Ricci**, Bertinoro-Fc (IT)
- (73) Assignee: **DeCoro Limited**, Hong Kong (HK)
- (**) Term: **14 Years**
- (21) Appl. No.: **29/233,371**
- (22) Filed: **Jul. 1, 2005**
- (51) **LOC (8) Cl.** **06-01**
- (52) **U.S. Cl.** **D6/381; D6/334**
- (58) **Field of Classification Search** D6/334,
D6/335, 337, 357, 361, 364, 367, 371, 378,
D6/381, 382, 383, 393, 500-503; 297/62-63,
297/38, 118, 232-233, 244-245, 311, 445.1,
297/446.1; 5/12.1, 28, 42
See application file for complete search history.

(56) **References Cited**

U.S. PATENT DOCUMENTS

- D478,224 S * 8/2003 Natuzzi et al. D6/381
- D482,896 S * 12/2003 Ricci D6/381
- D497,057 S * 10/2004 Ricci D6/381
- D503,858 S * 4/2005 Ricci D6/381

OTHER PUBLICATIONS

- Natuzzi sofa #763, International Home Furnishings Market, High Point, NC, Apr. 1991, 2 pgs.*
- Natuzzi sofa #1020, International Home Furnishings Market, High Point, NC, Apr. 1993, 2 pgs.*
- Natuzzi sofa #1127, International Home Furnishings Market, High Point, NC, Jan. 1994, 2 pgs.*

Natuzzi sofa #956, International Home Furnishings Market, High Point, NC, Oct. 1993, 2 pgs.*

* cited by examiner

Primary Examiner—Sandra Snapp

(74) *Attorney, Agent, or Firm*—Fish & Neave IP Group
Ropes & Gray LLP

(57) **CLAIM**

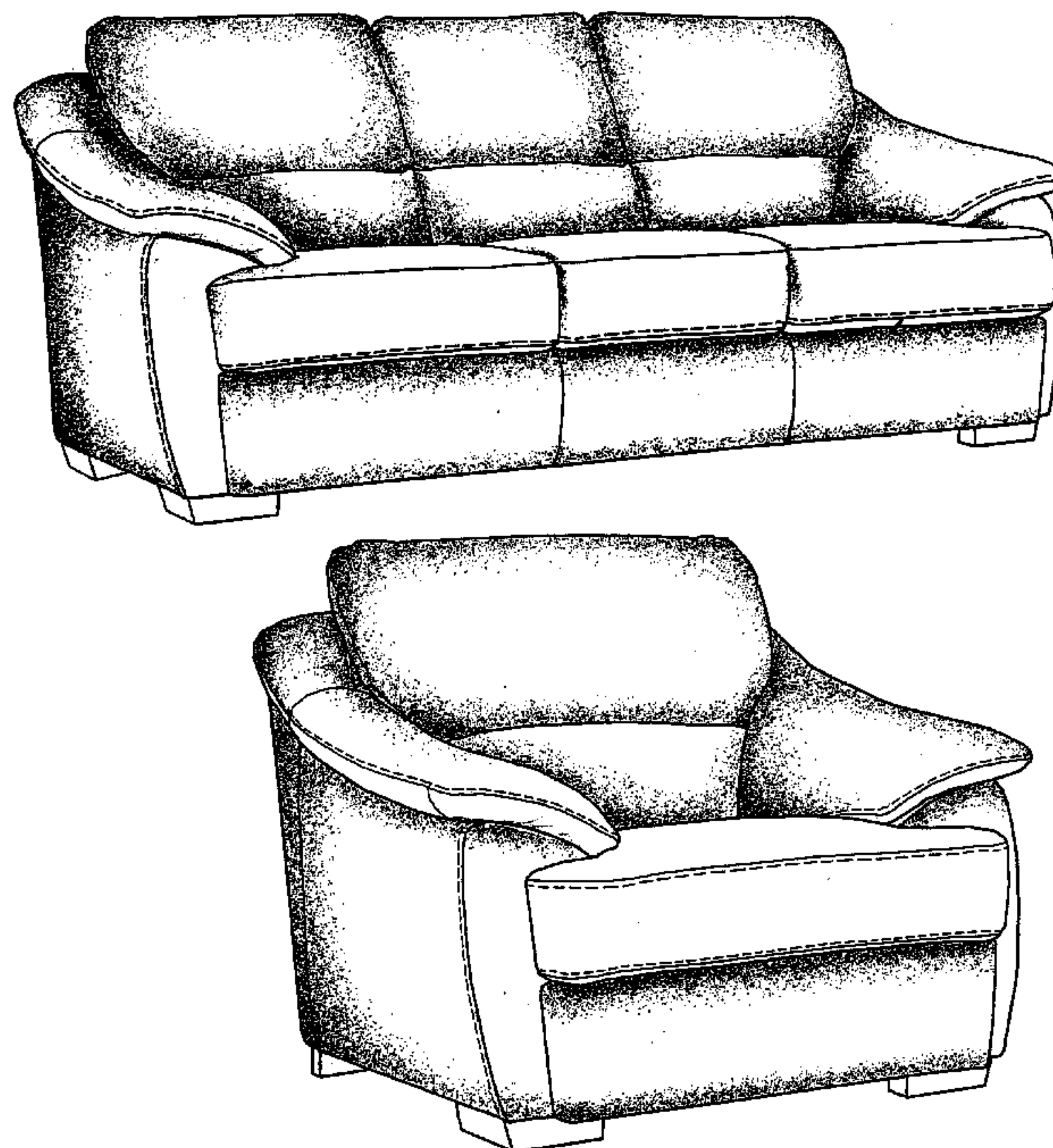
I claim the ornamental design for a seat, as shown and described.

DESCRIPTION

- FIG. 1 is a front elevation view of a first embodiment of my new seat design in the form of a sofa;
- FIG. 2 is a side elevation view thereof;
- FIG. 3 is a front perspective view thereof;
- FIG. 4 is a rear elevation view thereof;
- FIG. 5 is an opposite side elevation view thereof;
- FIG. 6 is a top plan view thereof;
- FIG. 7 is a front elevation view of a second embodiment of the new seat design in the form of a chair;
- FIG. 8 is a side elevation view thereof;
- FIG. 9 is a front perspective view thereof;
- FIG. 10 is a rear elevation view thereof;
- FIG. 11 is an opposite side elevation view thereof; and,
- FIG. 12 is a top plan elevation view thereof.

As shown in the drawings herein, broken (dotted) lines are used to indicate stitching.

1 Claim, 12 Drawing Sheets



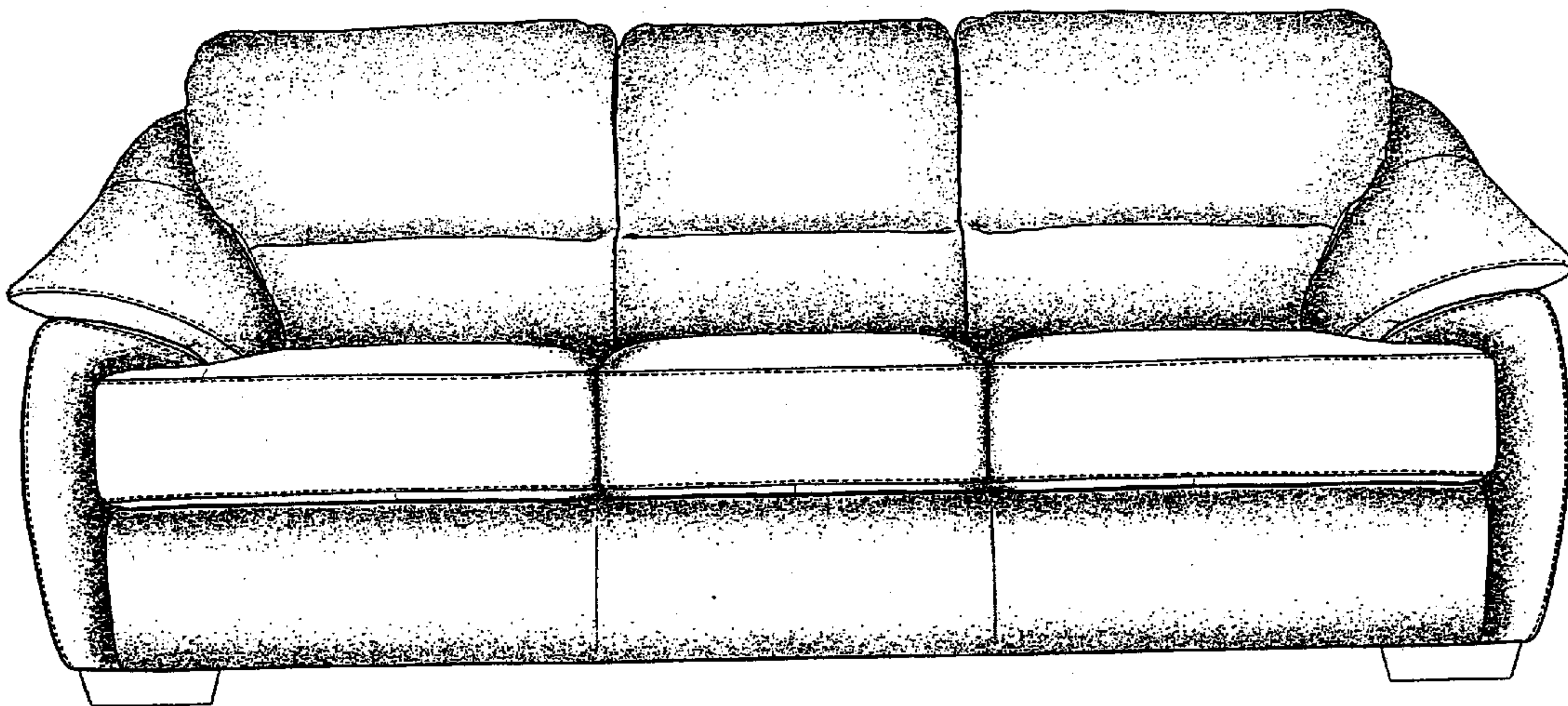


FIGURE 1

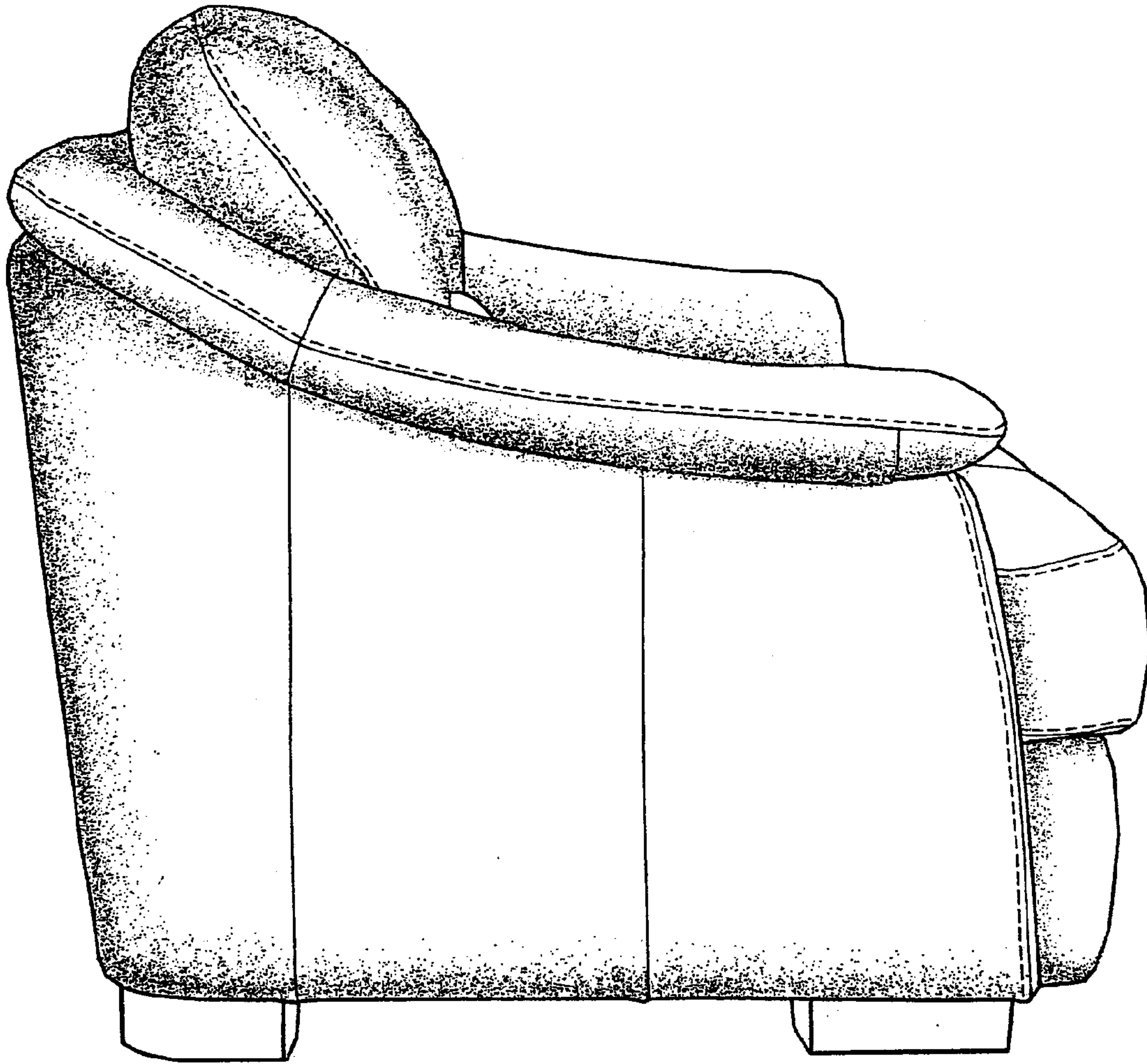


FIGURE 2

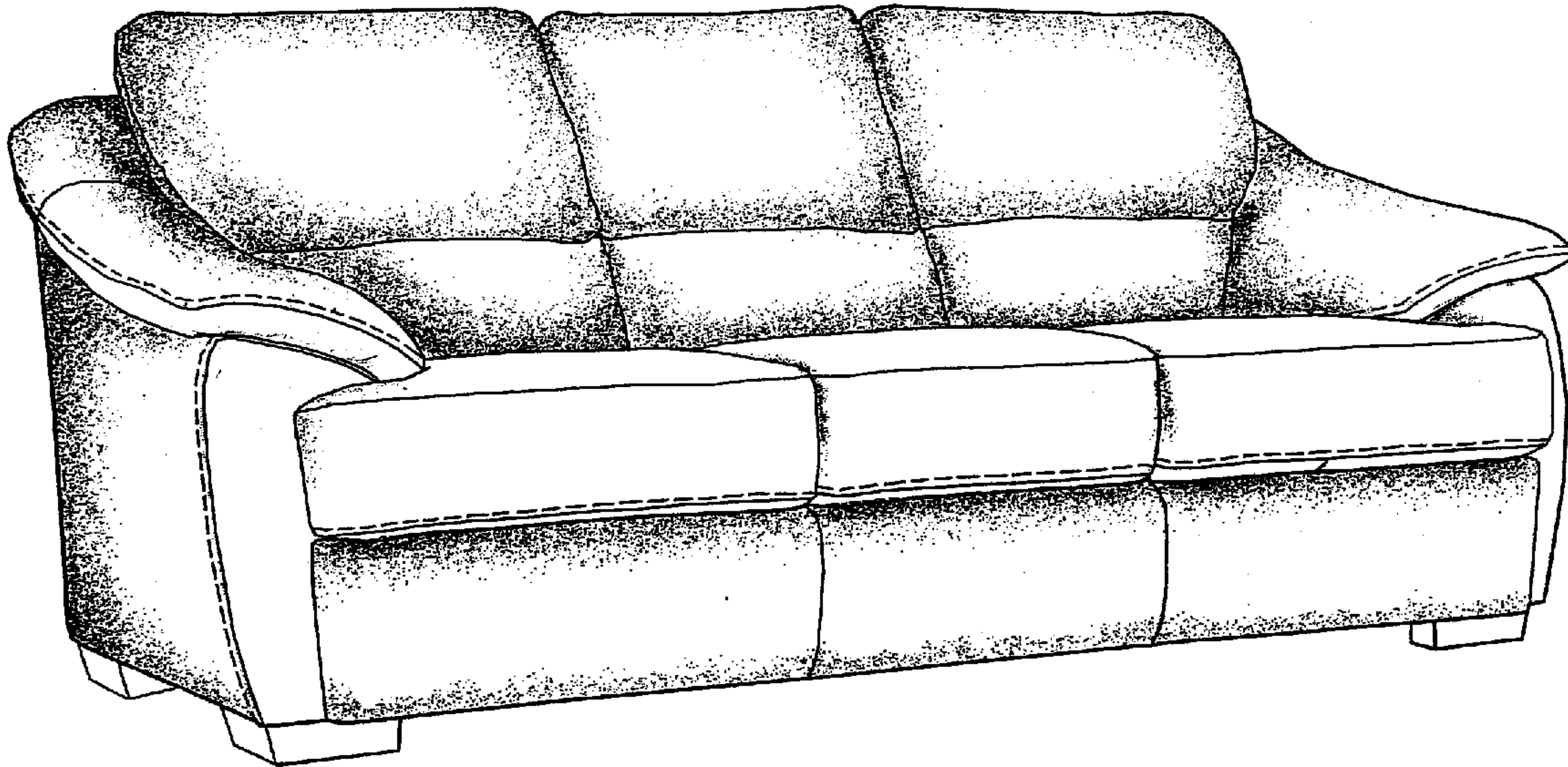


FIGURE 3

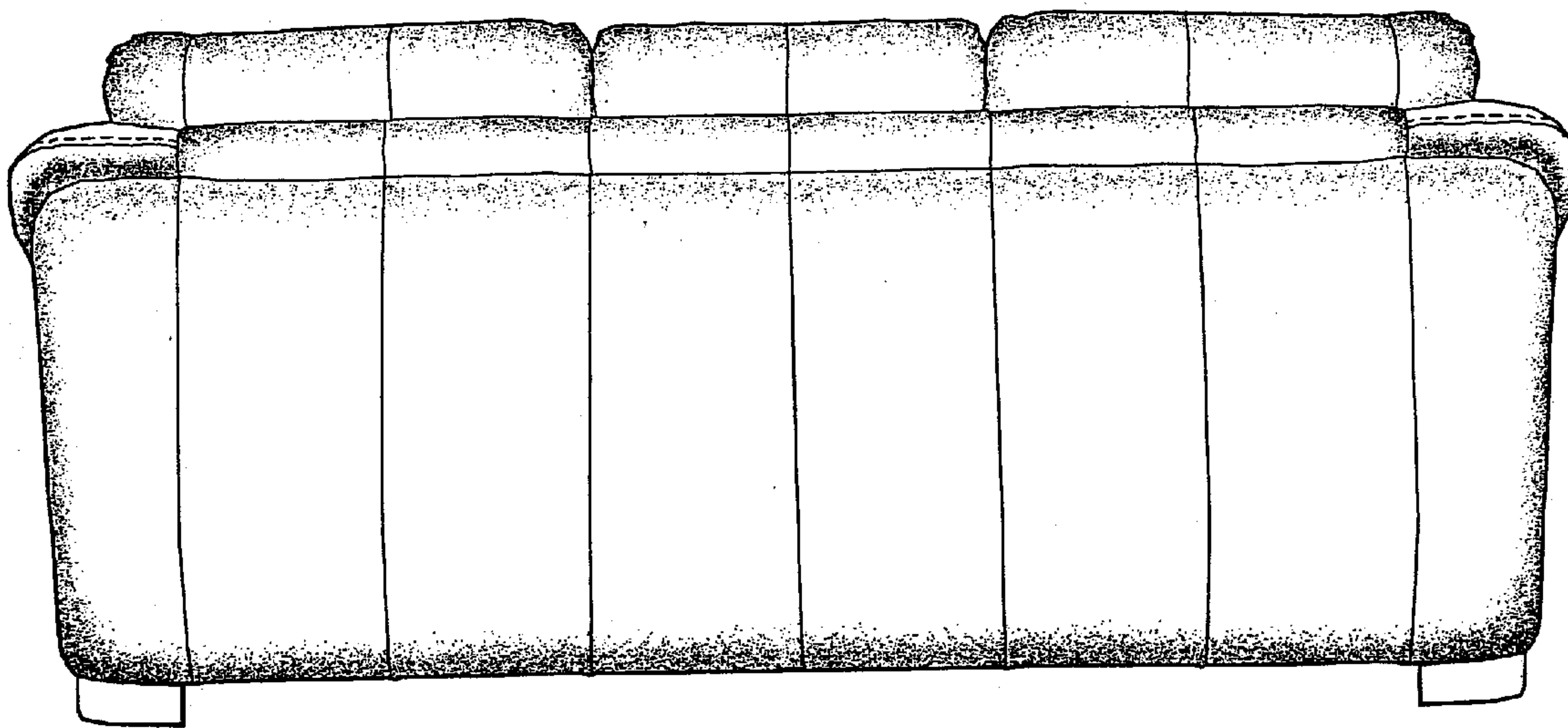


FIGURE 4

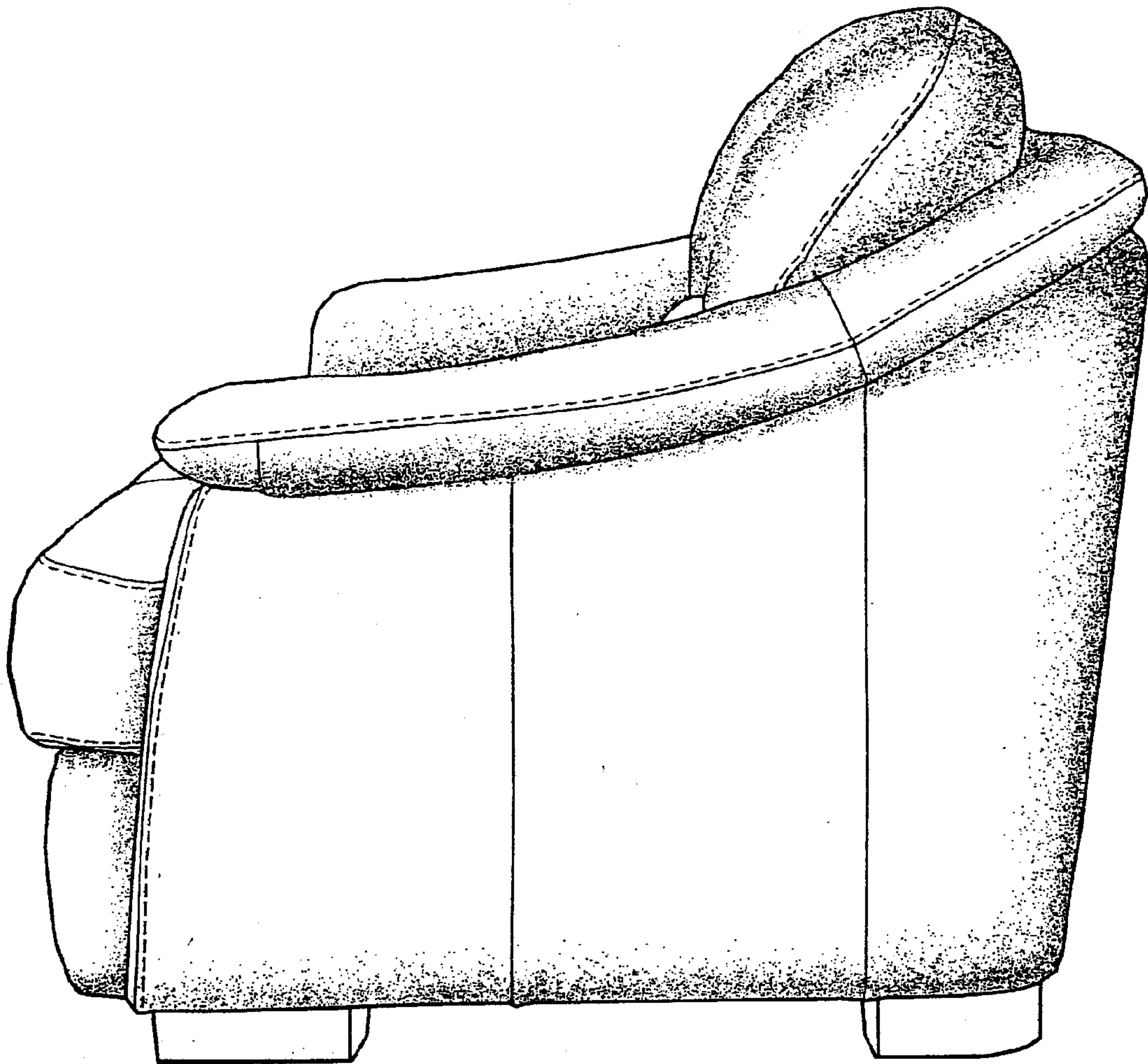


FIGURE 5

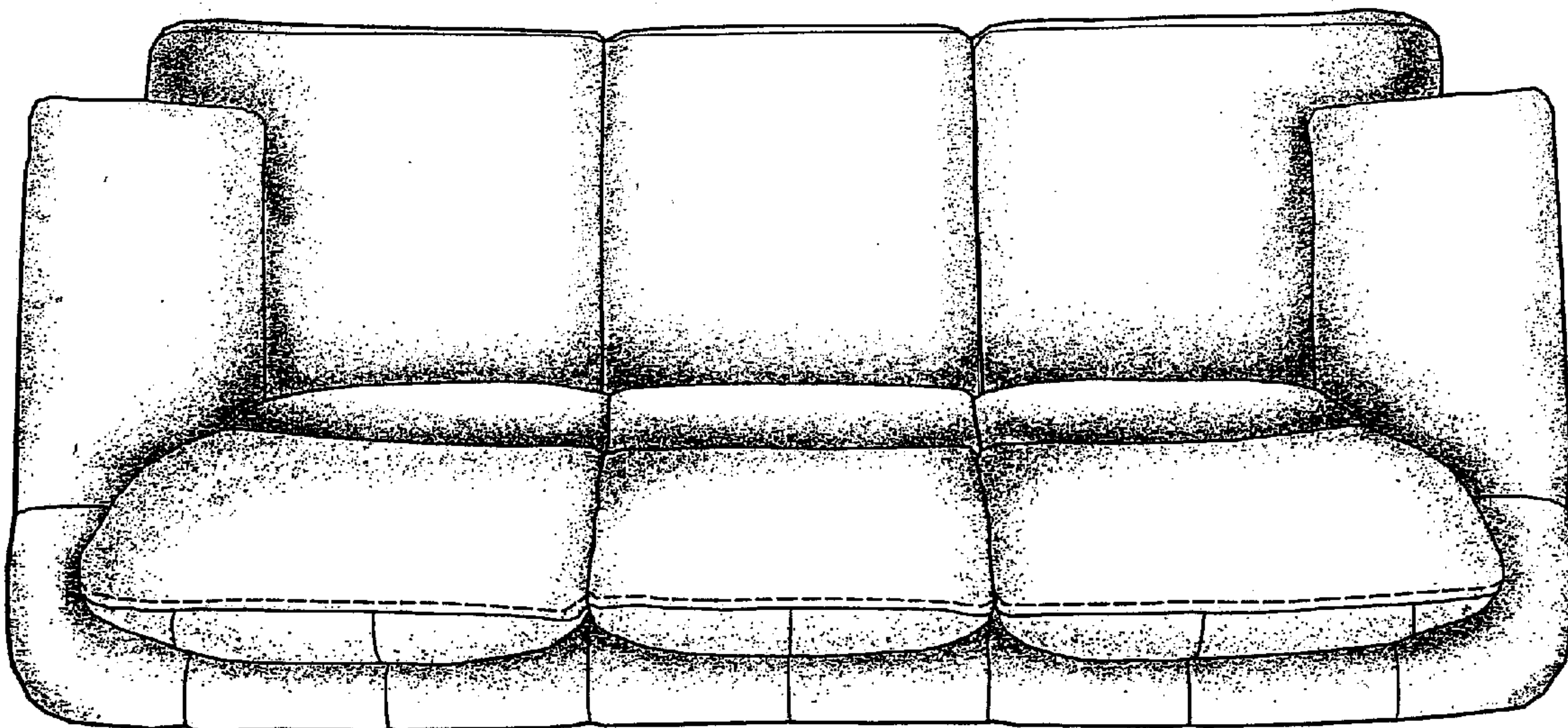


FIGURE 6

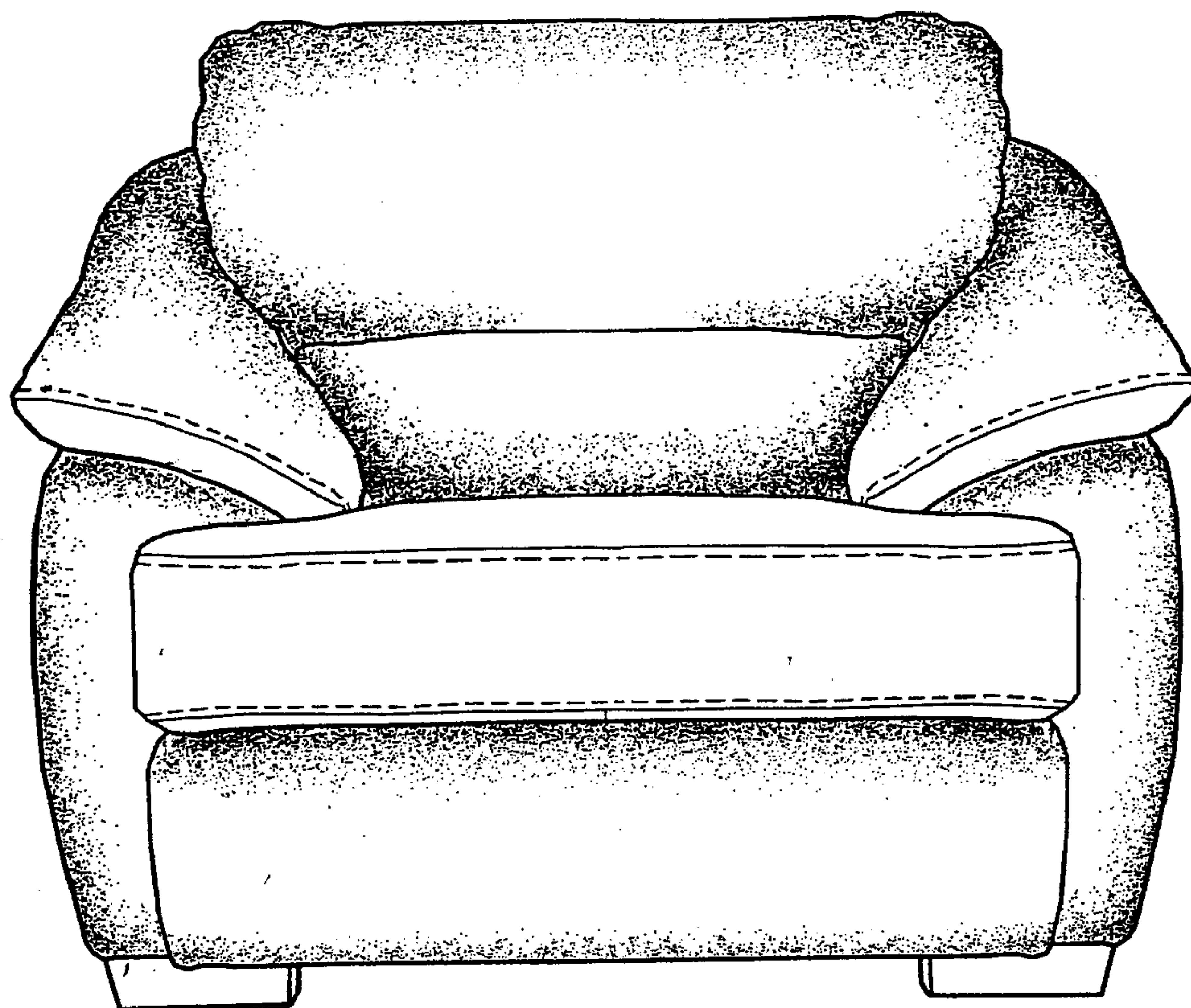


FIGURE 7

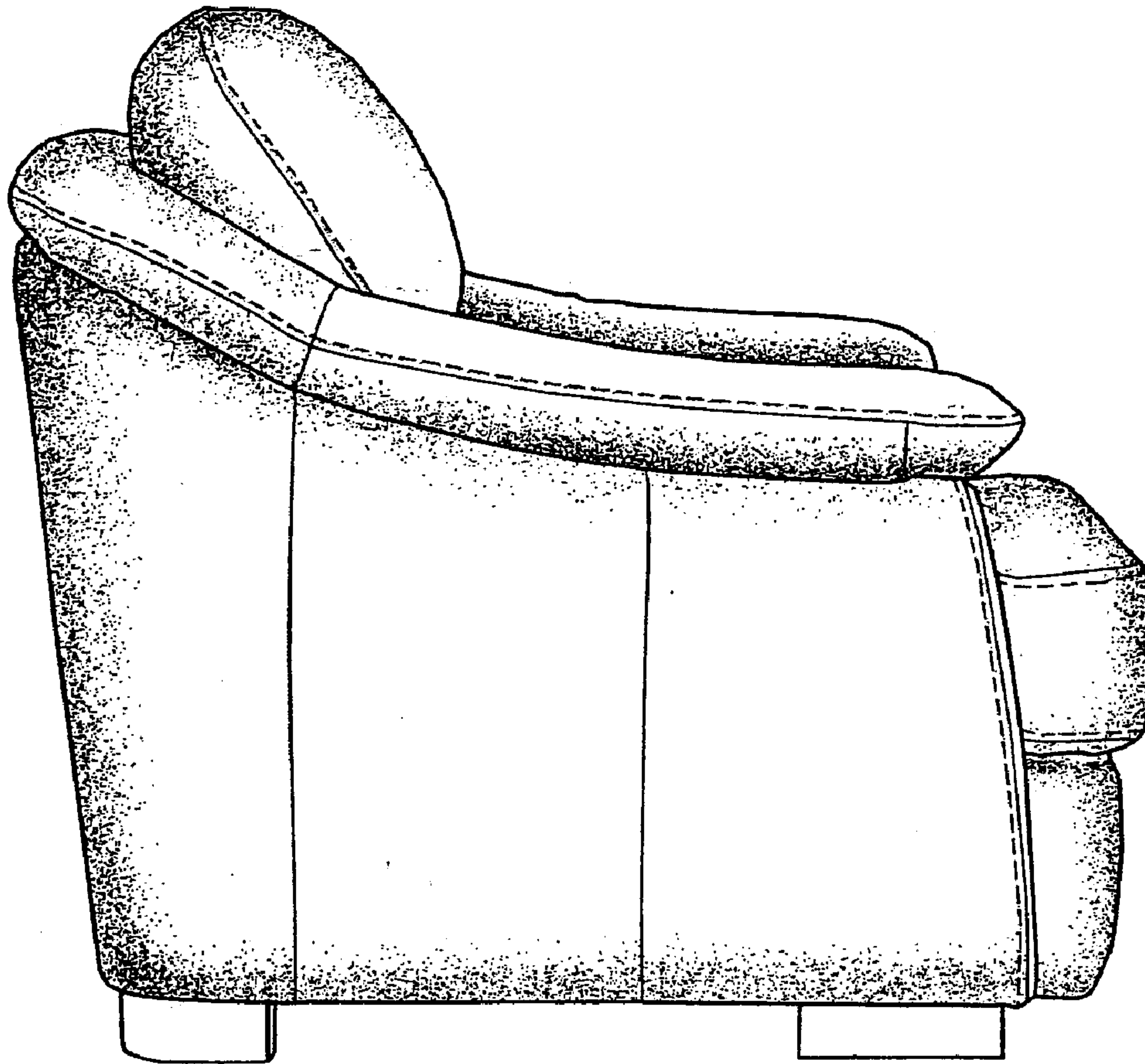


FIGURE 8

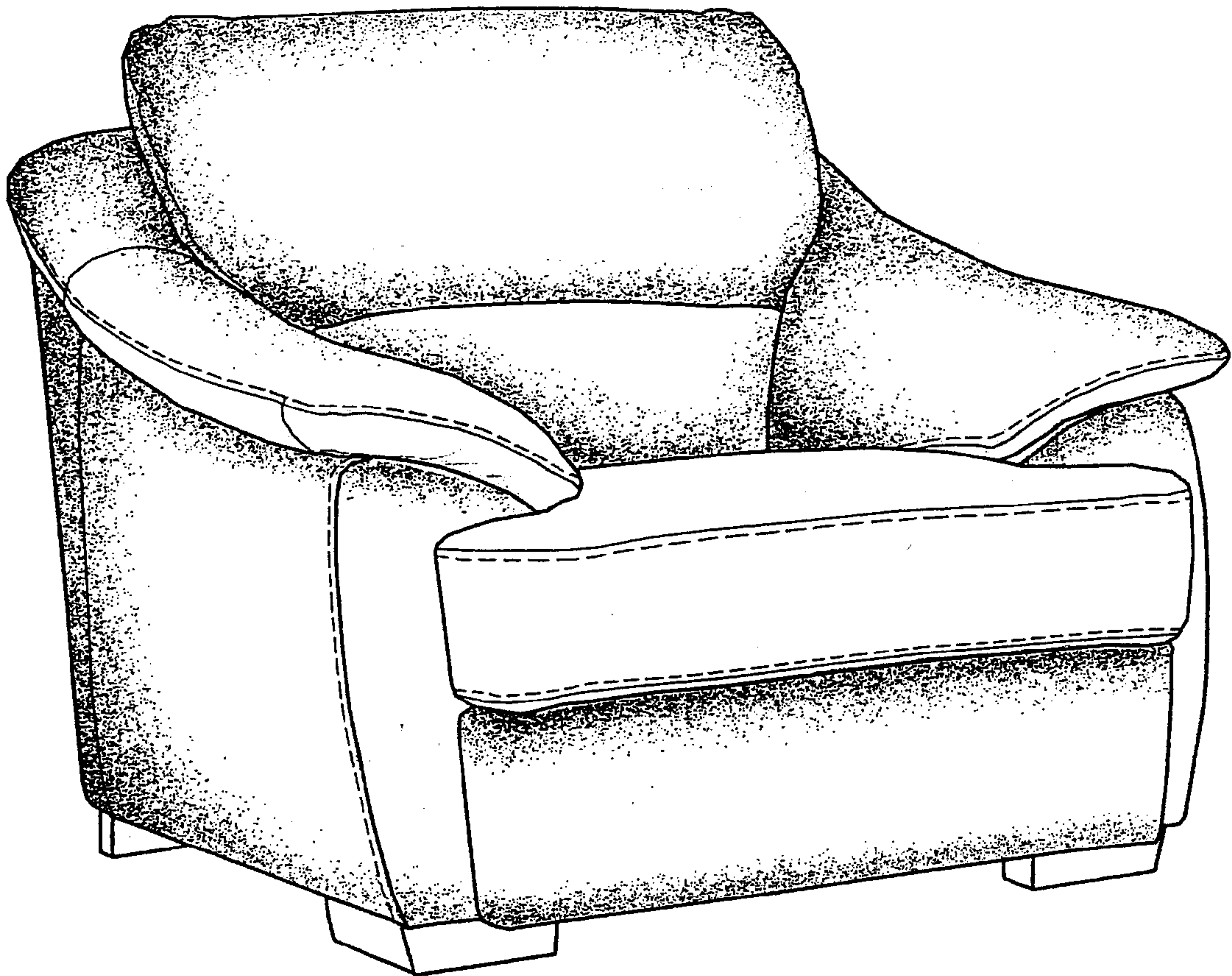


FIGURE 9

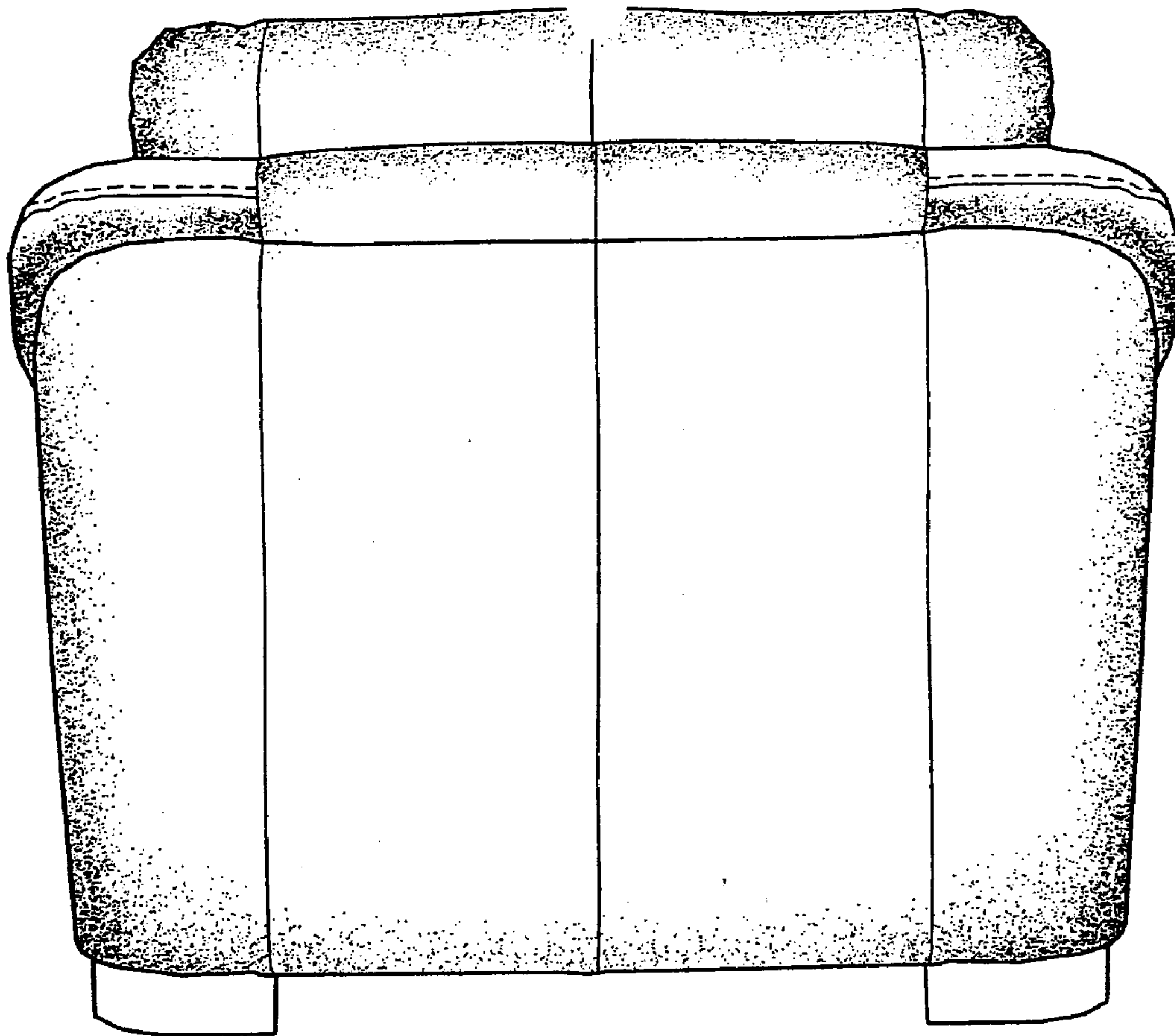


FIGURE 10

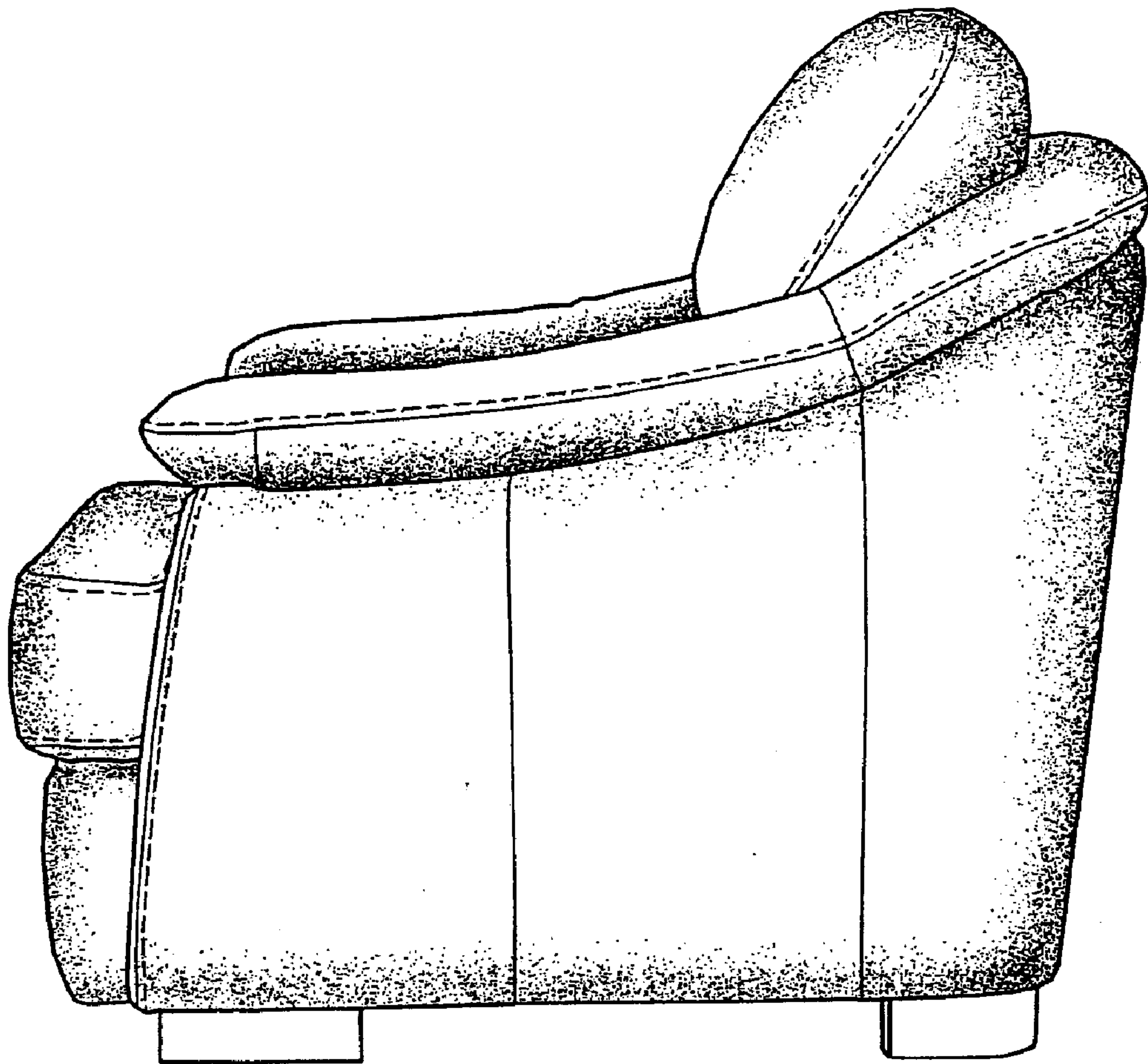


FIGURE 11

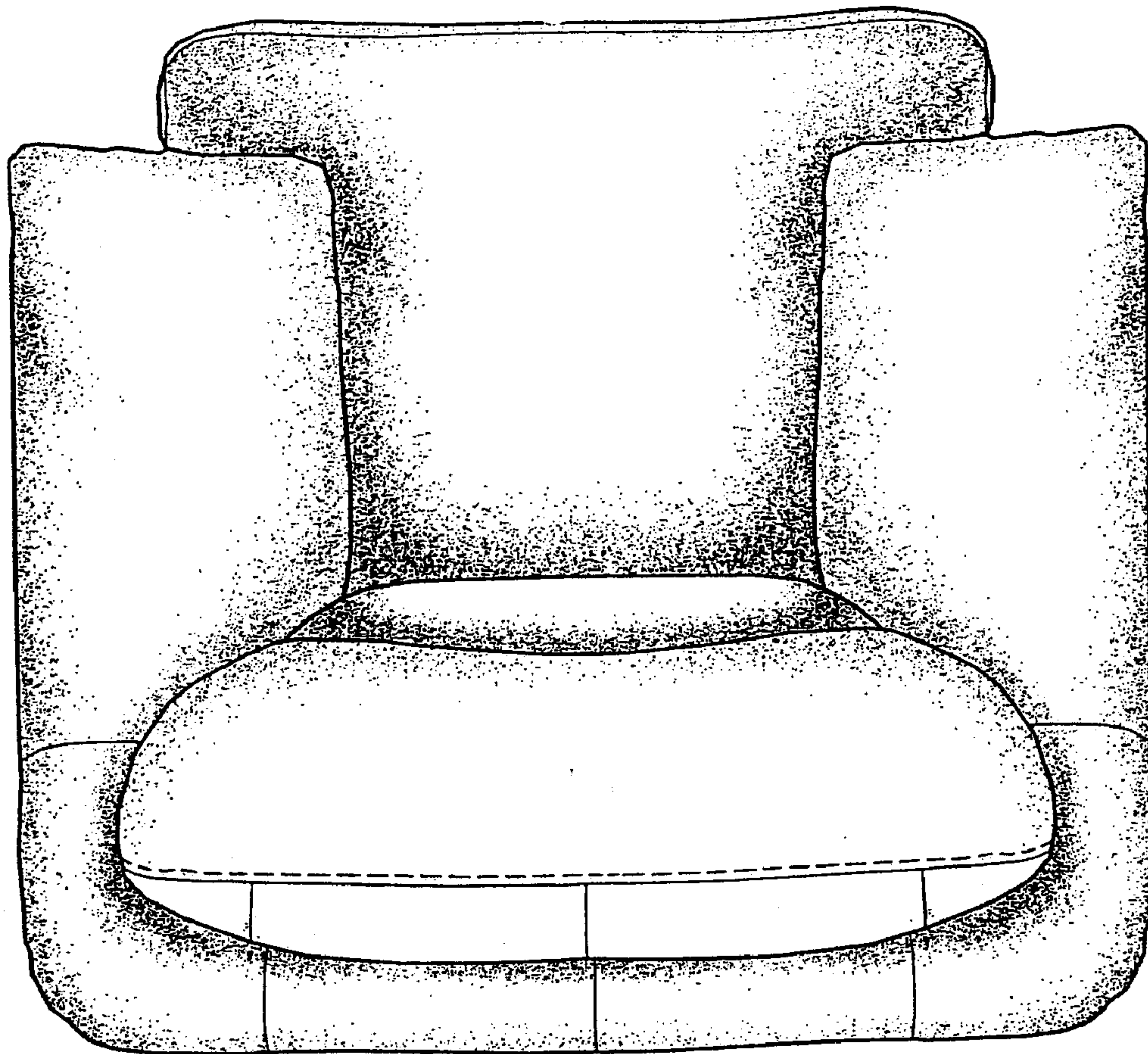


FIGURE 12