

US00D544235S

(12) **United States Design Patent**
Chen

(10) **Patent No.:** **US D544,235 S**

(45) **Date of Patent:** **** Jun. 12, 2007**

(54) **CHAIR**

(76) Inventor: **Su-Ming Chen**, No. 566, Fong Lin 2nd Rd., Ta Liao Hsiang, Kaohsiung (TW)

(**) Term: **14 Years**

(21) Appl. No.: **29/248,793**

(22) Filed: **Sep. 4, 2006**

(51) **LOC (8) Cl.** **06-01**

(52) **U.S. Cl.** **D6/379**

(58) **Field of Classification Search** D6/334-336, D6/366, 368, 369, 374, 375, 376, 379, 380, D6/500-502; 297/445.1, 446.1, 452.2, 452.64
See application file for complete search history.

(56) **References Cited**

U.S. PATENT DOCUMENTS

D381,828 S *	8/1997	Kemnitzer	D6/379
D418,322 S *	1/2000	Hock	D6/374
D446,661 S *	8/2001	Ambasz	D6/368
D449,174 S *	10/2001	Neil	D6/366
D471,373 S *	3/2003	Starzewski et al.	D6/368
D475,544 S *	6/2003	Chadwick et al.	D6/380
D476,495 S *	7/2003	Tsai	D6/380
D489,191 S *	5/2004	Ma	D6/366
D492,130 S *	6/2004	Tai	D6/366
D493,627 S *	8/2004	Ma	D6/366
D494,768 S *	8/2004	Su	D6/366
D495,509 S *	9/2004	Breen	D6/366
D505,562 S *	5/2005	Goodworth	D6/374

D505,801 S *	6/2005	Cesaroni et al.	D6/379
D510,488 S *	10/2005	Su	D6/366
D512,843 S *	12/2005	Breen	D6/366
D513,457 S *	1/2006	Asano et al.	D6/380
D513,902 S *	1/2006	Piretti	D6/380
D514,345 S *	2/2006	Igarashi	D6/379
D516,828 S *	3/2006	Tsai	D6/366
D517,828 S *	3/2006	Magnani et al.	D6/380
D520,769 S *	5/2006	Bennett et al.	D6/379
D527,920 S *	9/2006	Giugiaro	D6/366
D528,811 S *	9/2006	Giugiaro	D6/366

* cited by examiner

Primary Examiner—Mimosa De

(74) *Attorney, Agent, or Firm*—Leong C. Lei

(57) **CLAIM**

The ornamental design for a chair, as shown and described.

DESCRIPTION

FIG. 1 is a perspective view of a chair showing my new design;

FIG. 2 is a front elevational view thereof;

FIG. 3 is a rear elevational view thereof;

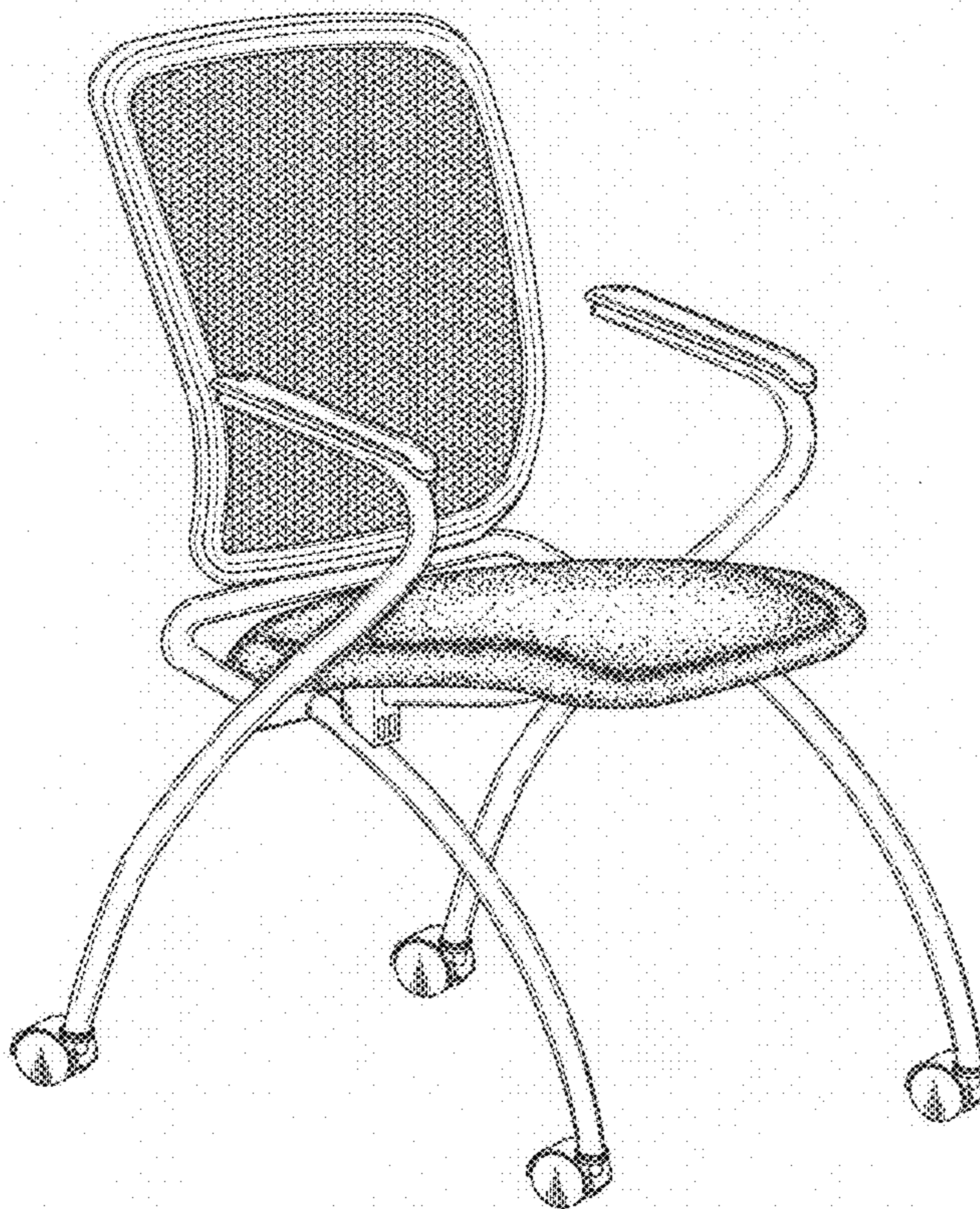
FIG. 4 is a left side elevational view thereof;

FIG. 5 is a right side elevational view thereof;

FIG. 6 is a top plan view thereof; and,

FIG. 7 is a bottom plan view thereof.

1 Claim, 4 Drawing Sheets



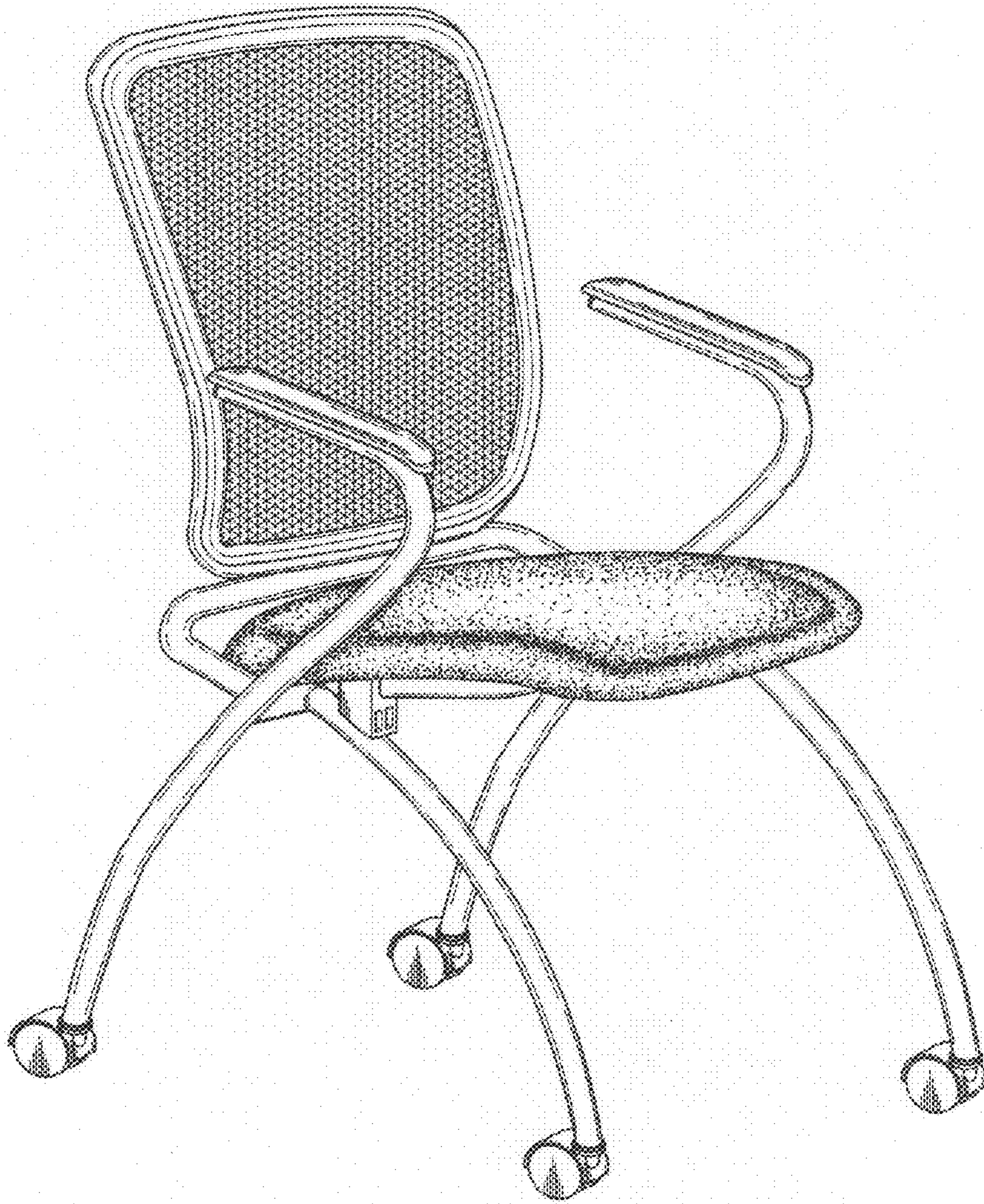


FIG.1

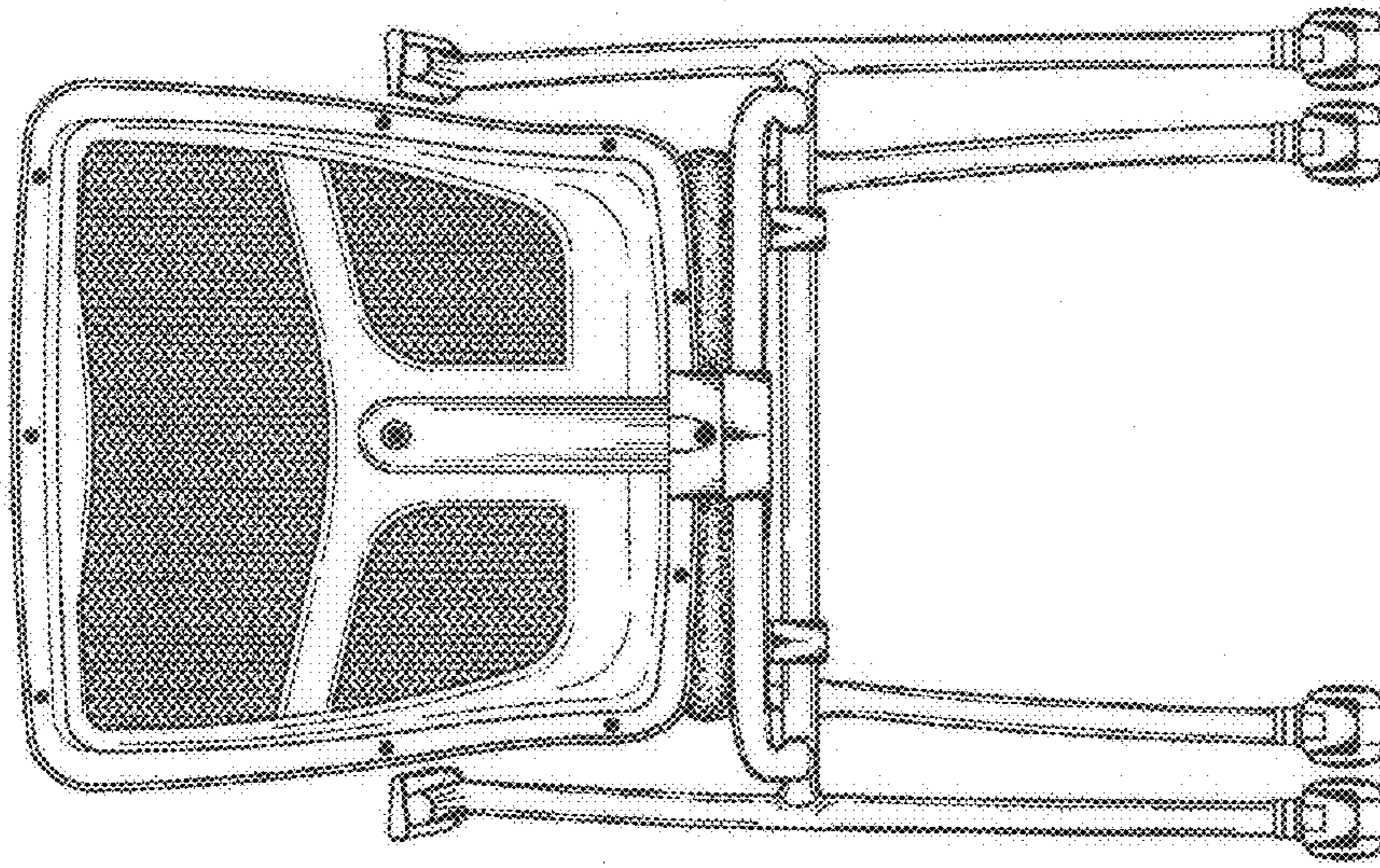


FIG.3

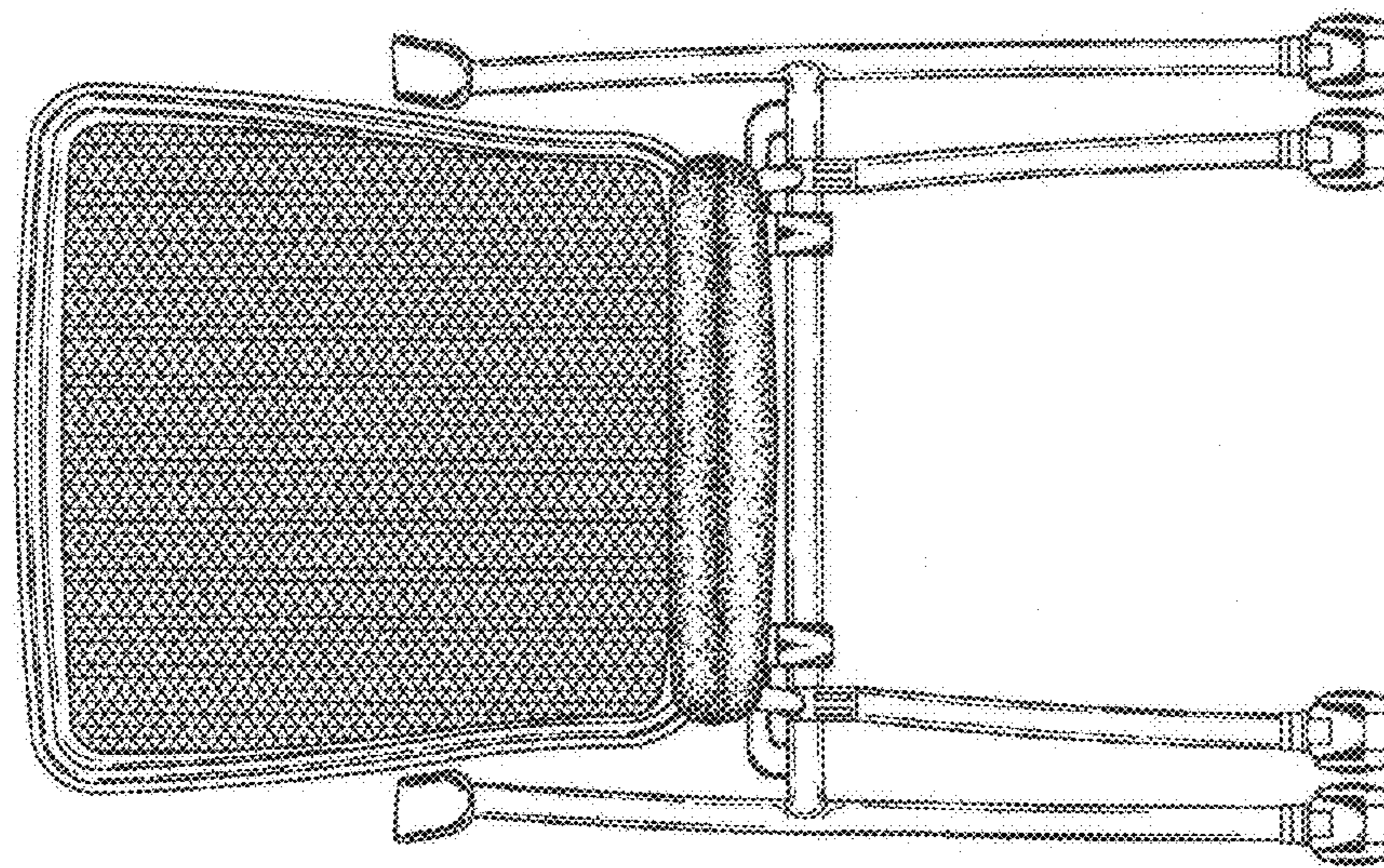


FIG.2

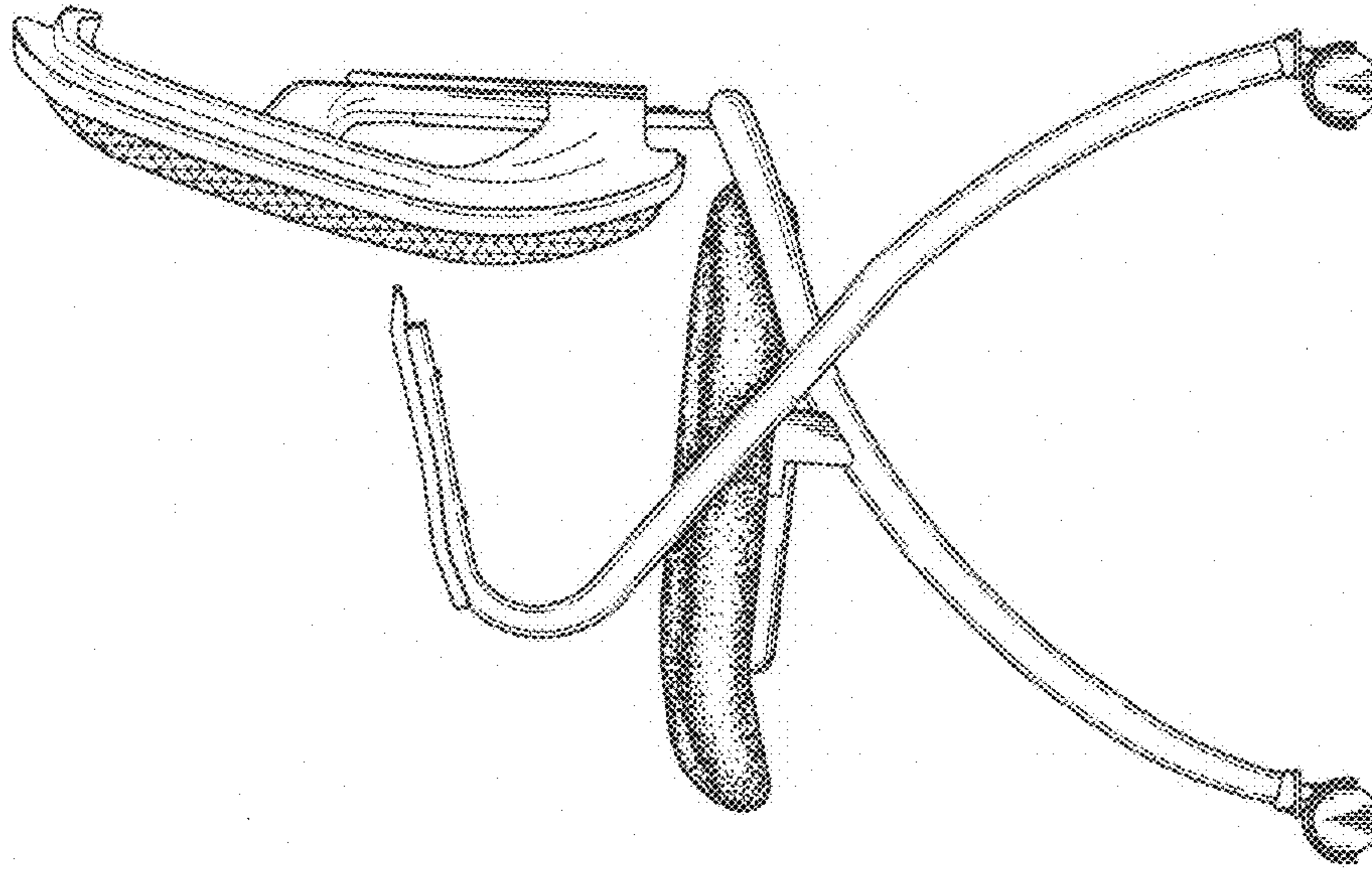


FIG.5

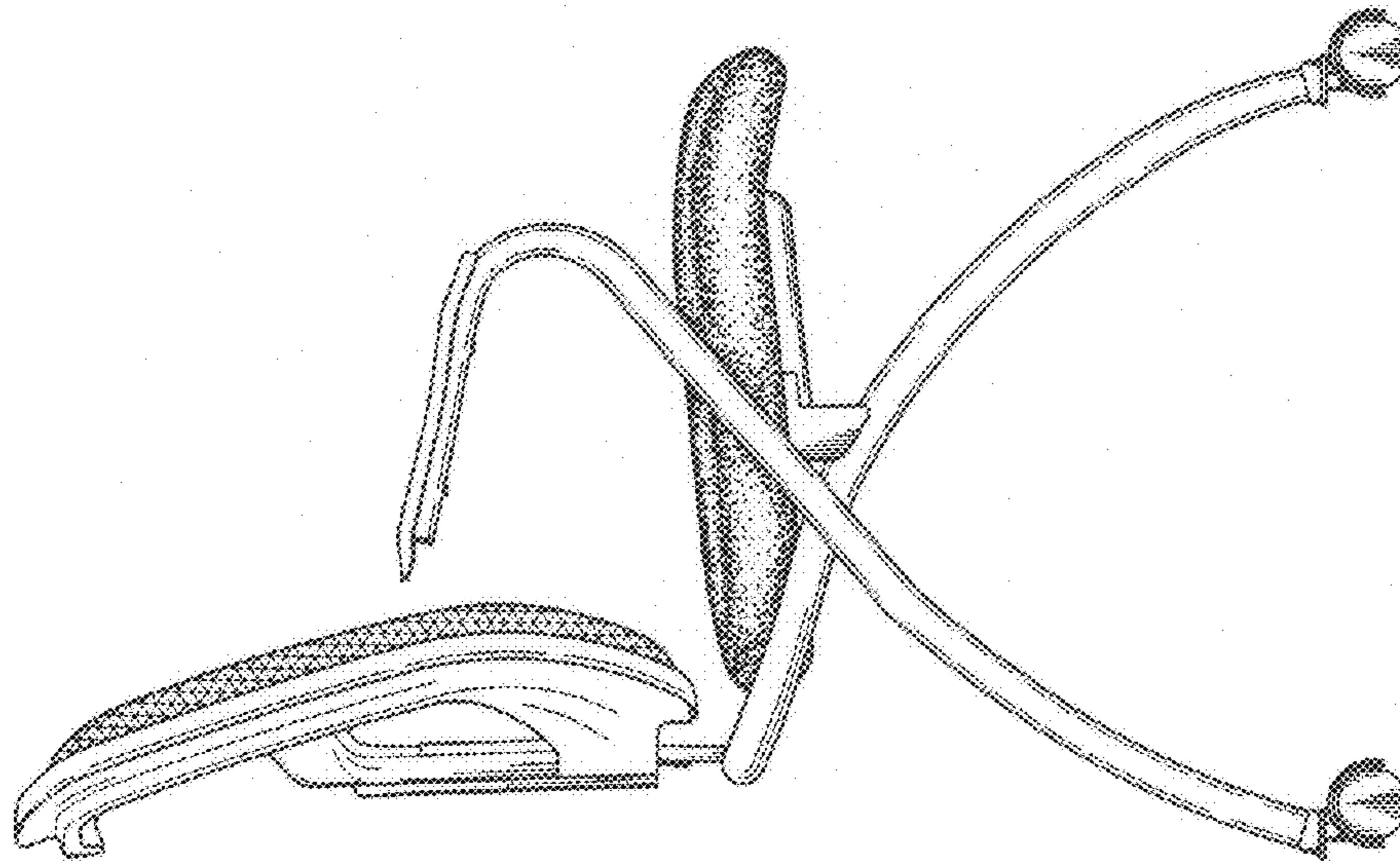


FIG.4

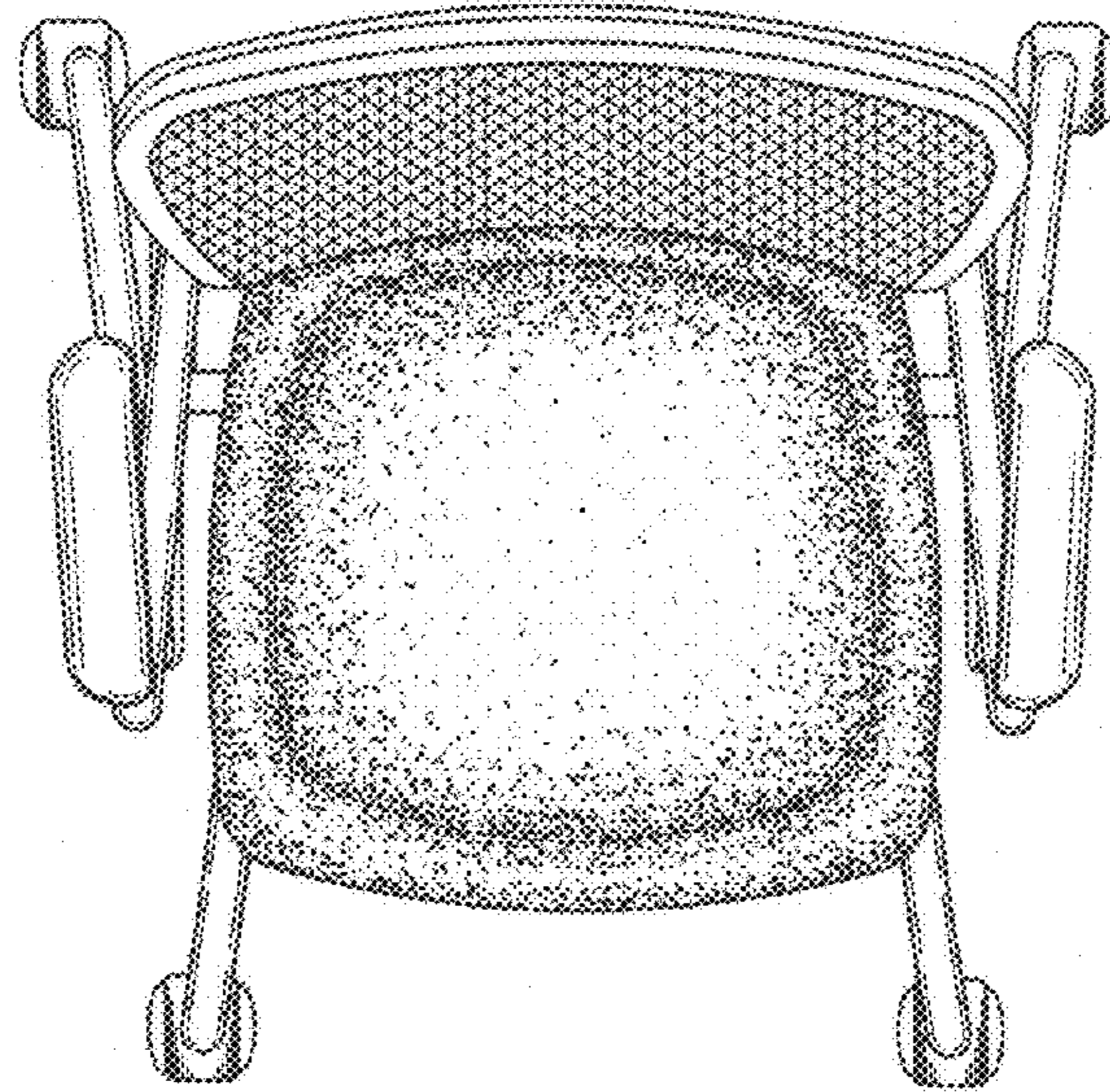


FIG. 6

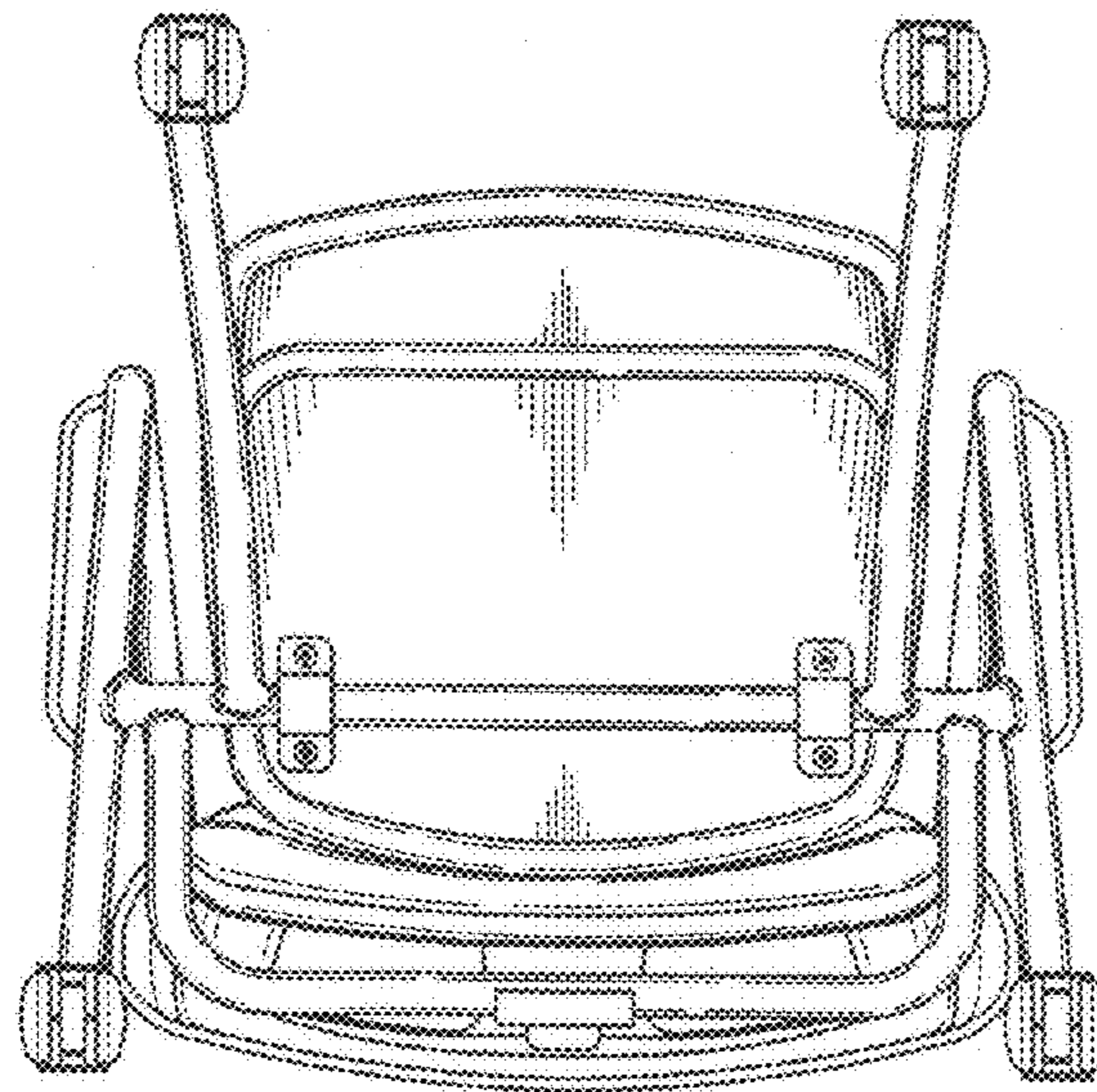


FIG. 7