



US00D544233S

(12) **United States Design Patent** (10) **Patent No.:** **US D544,233 S**
Hutton (45) **Date of Patent:** **** Jun. 12, 2007**

(54) **SEAT**
(75) Inventor: **Jennifer Hutton**, New York, NY (US)
(73) Assignee: **Donghia, Inc.**, New York, NY (US)
(**) Term: **14 Years**

D437,502 S 2/2001 Hutton D6/381
D441,978 S 2/2001 Hutton D6/381
D439,071 S 3/2001 D'Urso et al. D6/381
D439,432 S 3/2001 Hutton D6/381
D442,374 S 5/2001 Hutton D6/334

(Continued)

(21) Appl. No.: **29/261,200**
(22) Filed: **Jun. 9, 2006**

(51) **LOC (8) Cl.** **06-01**
(52) **U.S. Cl.** **D6/378**
(58) **Field of Classification Search** D6/334-336,
D6/364, 371, 375, 377, 378, 381, 500-502;
297/232, 233, 445.1, 451.8
See application file for complete search history.

OTHER PUBLICATIONS

Pages from *Fifties Furniture by Paul McCobb: Directional Designs*;
© 1956 by Directional Furniture Showrooms Incorporated.

Primary Examiner—Mimosa De
(74) *Attorney, Agent, or Firm*—Heslin Rothenberg Farley &
Mesiti P.C.

(56) **References Cited**

U.S. PATENT DOCUMENTS

D130,795 S	*	12/1941	Eppenstein	D6/364
D247,009 S	*	1/1978	Schoblom et al.	D6/378
D251,760 S	*	5/1979	Vandenbeuck	D6/377
D251,940 S	*	5/1979	Spound et al.	D6/378
D267,756 S	*	2/1983	Krabeepetcharat	D6/364
D359,856 S		7/1995	Hutton	D6/334
D360,997 S		8/1995	Hutton	D6/381
D364,752 S		12/1995	Hutton	D6/334
D366,571 S		1/1996	Hutton	D6/361
D373,257 S		9/1996	Hutton	D6/381
D379,269 S		5/1997	Hutton	D6/334
D383,006 S		9/1997	Hutton	D6/334
D388,628 S	*	1/1998	Hutton	D6/378
D395,958 S		7/1998	Hutton	D6/334
D400,015 S		10/1998	Hutton	D6/334
D403,167 S		12/1998	Hutton	D6/334
D404,210 S		1/1999	Hutton	D6/361
D404,212 S		1/1999	Hutton	D6/381
D407,231 S		3/1999	Hutton	D6/381
D423,244 S		4/2000	Hutton	D6/381
D437,141 S		2/2001	Hutton	D6/381
D437,142 S		2/2001	Hutton	D6/381

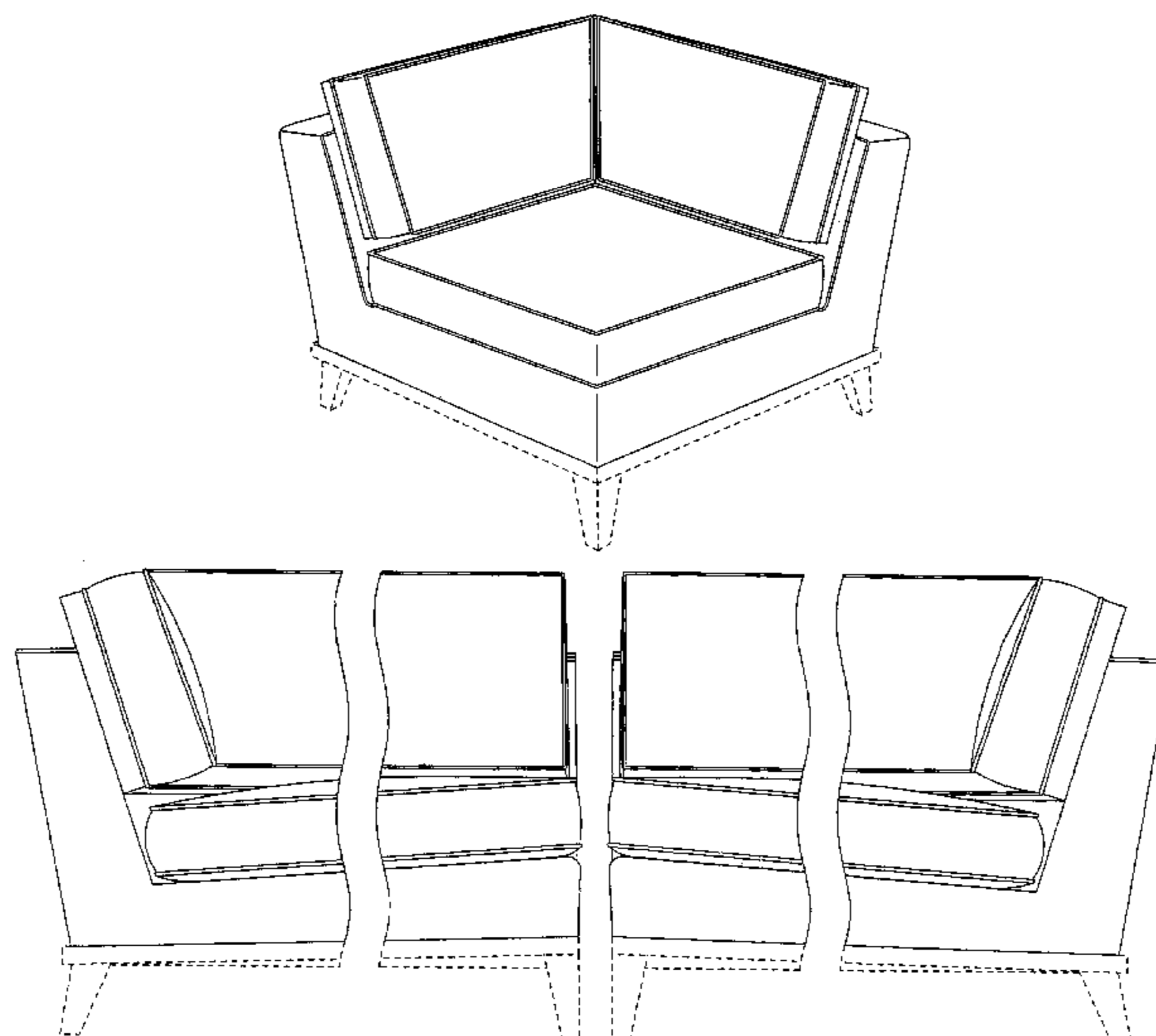
(57) **CLAIM**

The ornamental design for the seat, as shown and described.

DESCRIPTION

FIG. 1 is a perspective view of a seat comprising the new design;
FIG. 2 is a top view thereof;
FIG. 3 is a left side view thereof;
FIG. 4 is a right side view thereof;
FIG. 5 is a rear view of the right side thereof;
FIG. 6 is a left side view of an alternative embodiment of said new design, portions of which are cut away to illustrate indeterminate width, which is the sole difference between it and FIGS. 1-5; and,
FIG. 7 is a right side view of an alternative embodiment of said new design, portions of which are cut away to illustrate indeterminate width, which is the sole difference between it and FIGS. 1-5.
The broken lines in the figures are for illustrative purposes only and form no part of the claimed invention.

1 Claim, 7 Drawing Sheets



US D544,233 S

Page 2

U.S. PATENT DOCUMENTS

D442,385 S	5/2001	Hutton	D6/379	D454,441 S *	3/2002	Bermudez et al.	D6/378
D442,787 S	5/2001	Hutton	D6/334	D482,535 S *	11/2003	Williams et al.	D6/334
D446,029 S	8/2001	Hutton	D6/334	D504,781 S	5/2005	Suzuki et al.	D6/334
D446,395 S	8/2001	Hutton	D6/334	D505,560 S	5/2005	Hutton et al.	D6/361

* cited by examiner

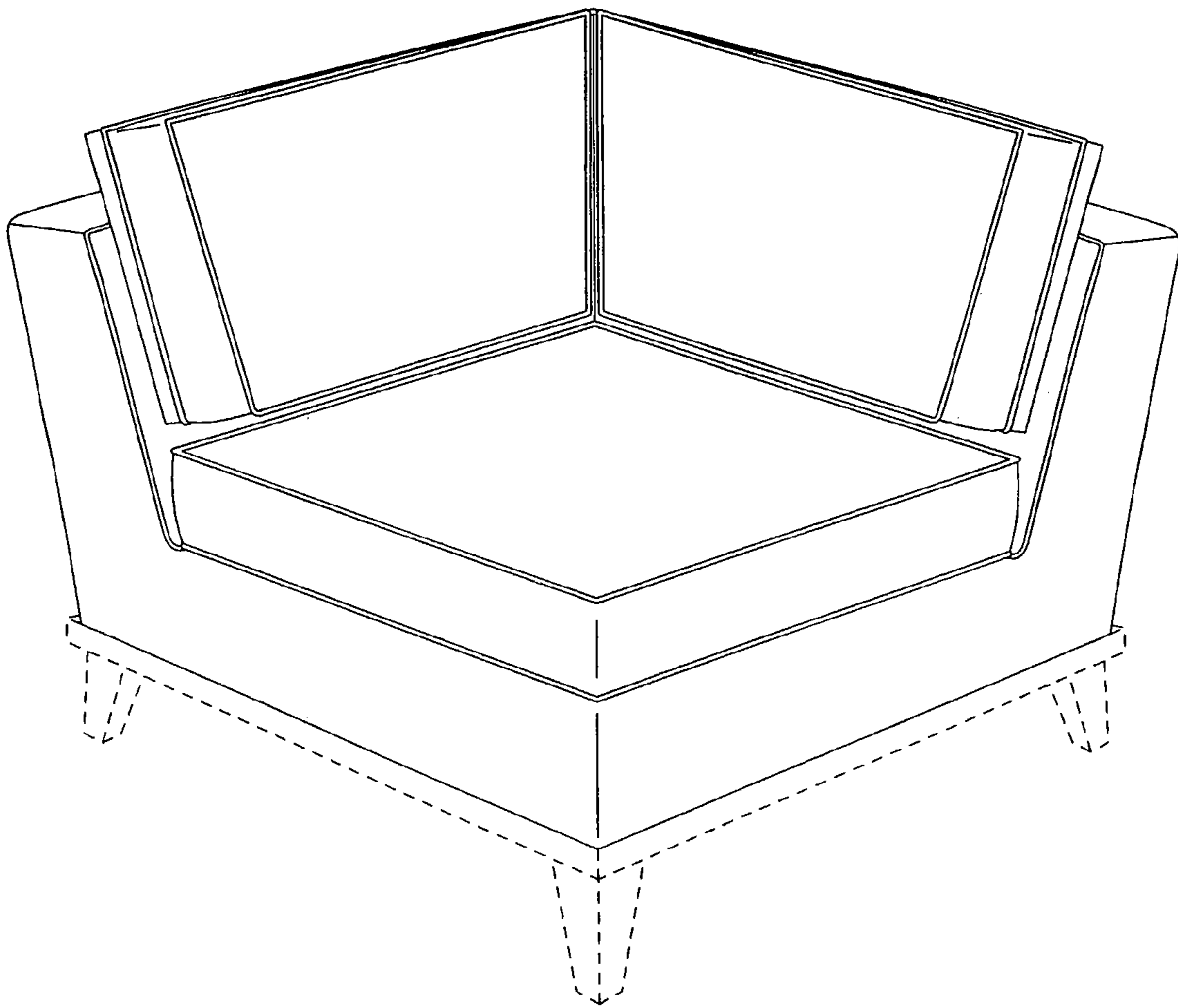


FIG. 1

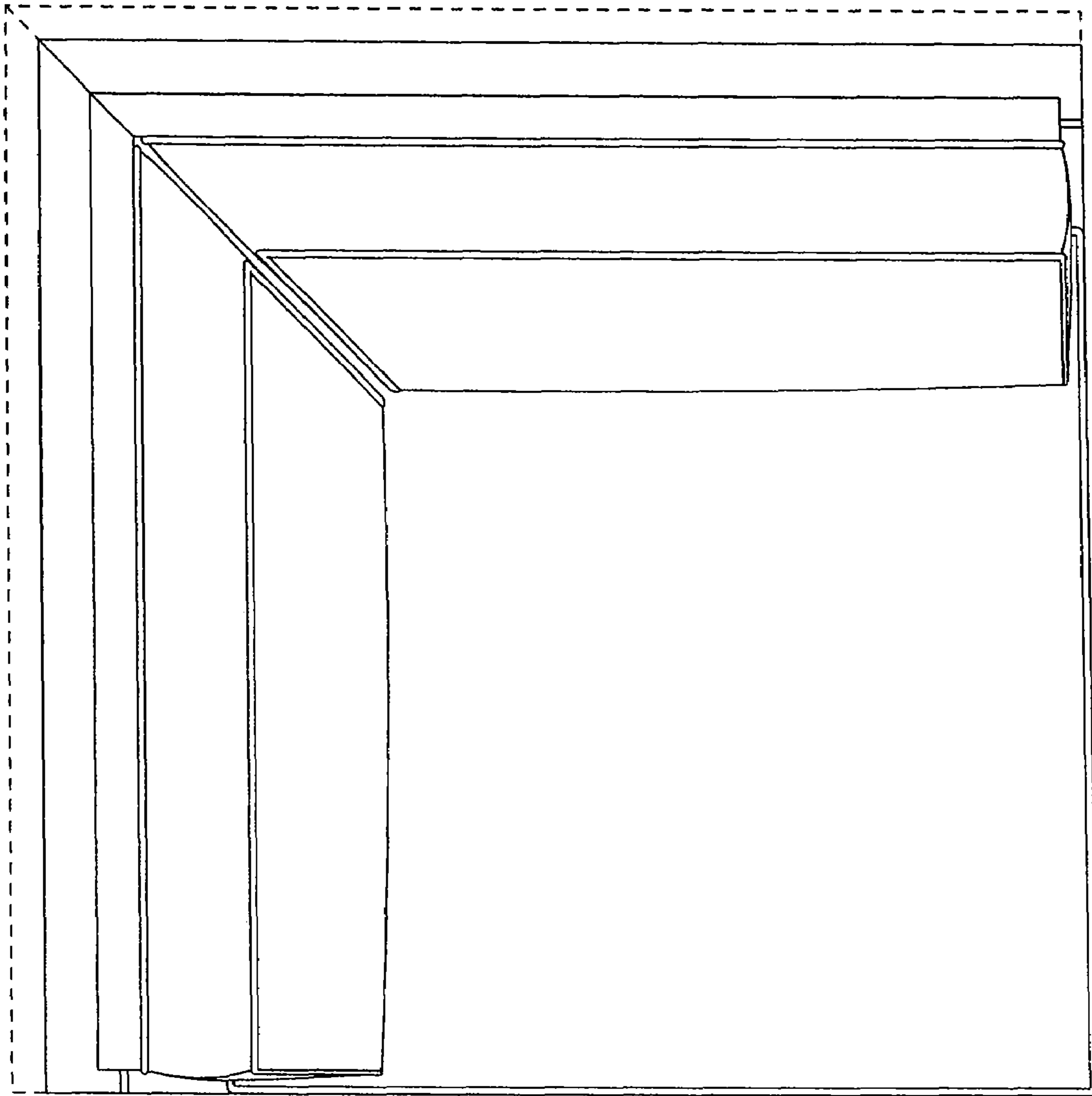


FIG. 2

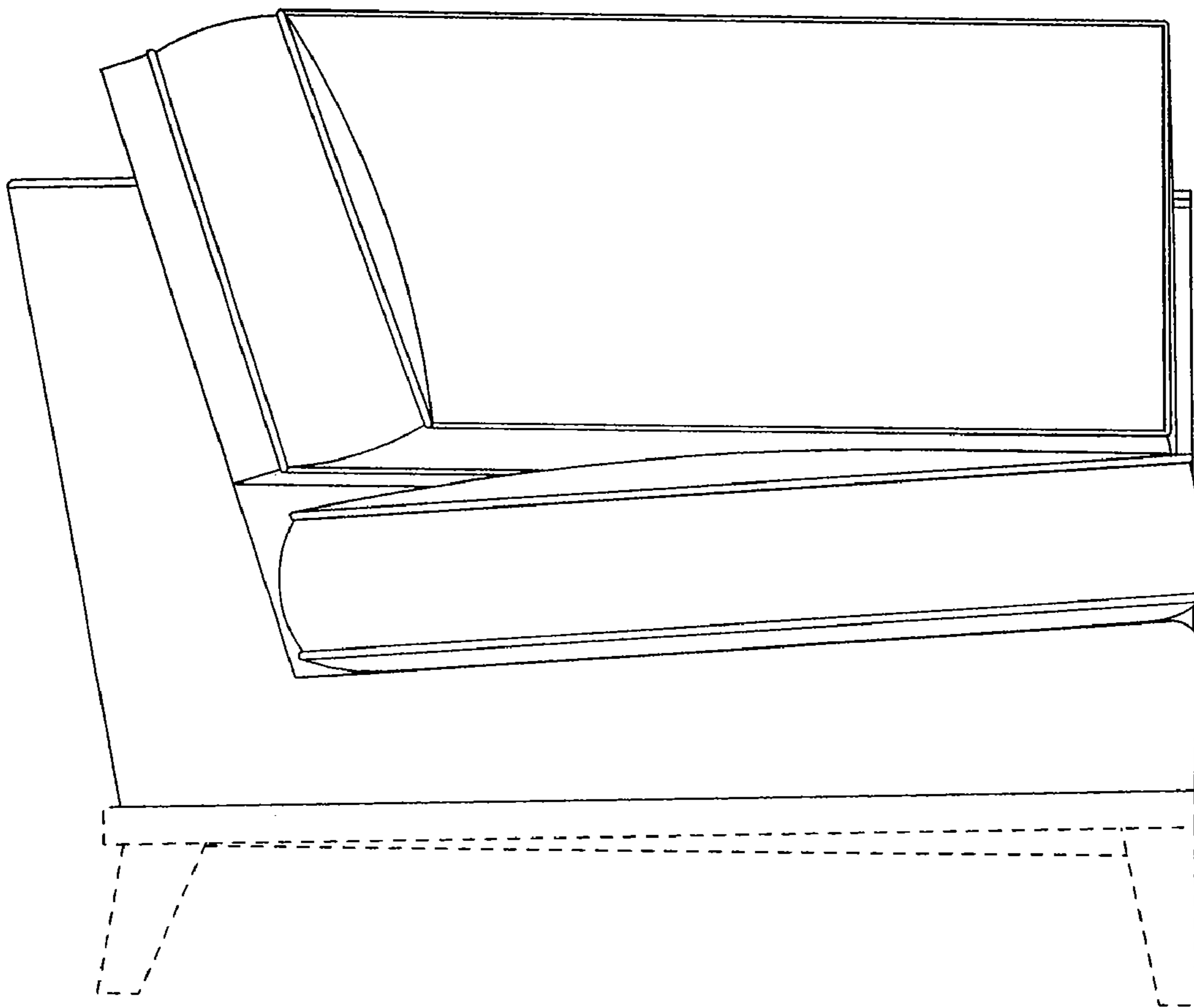


FIG. 3

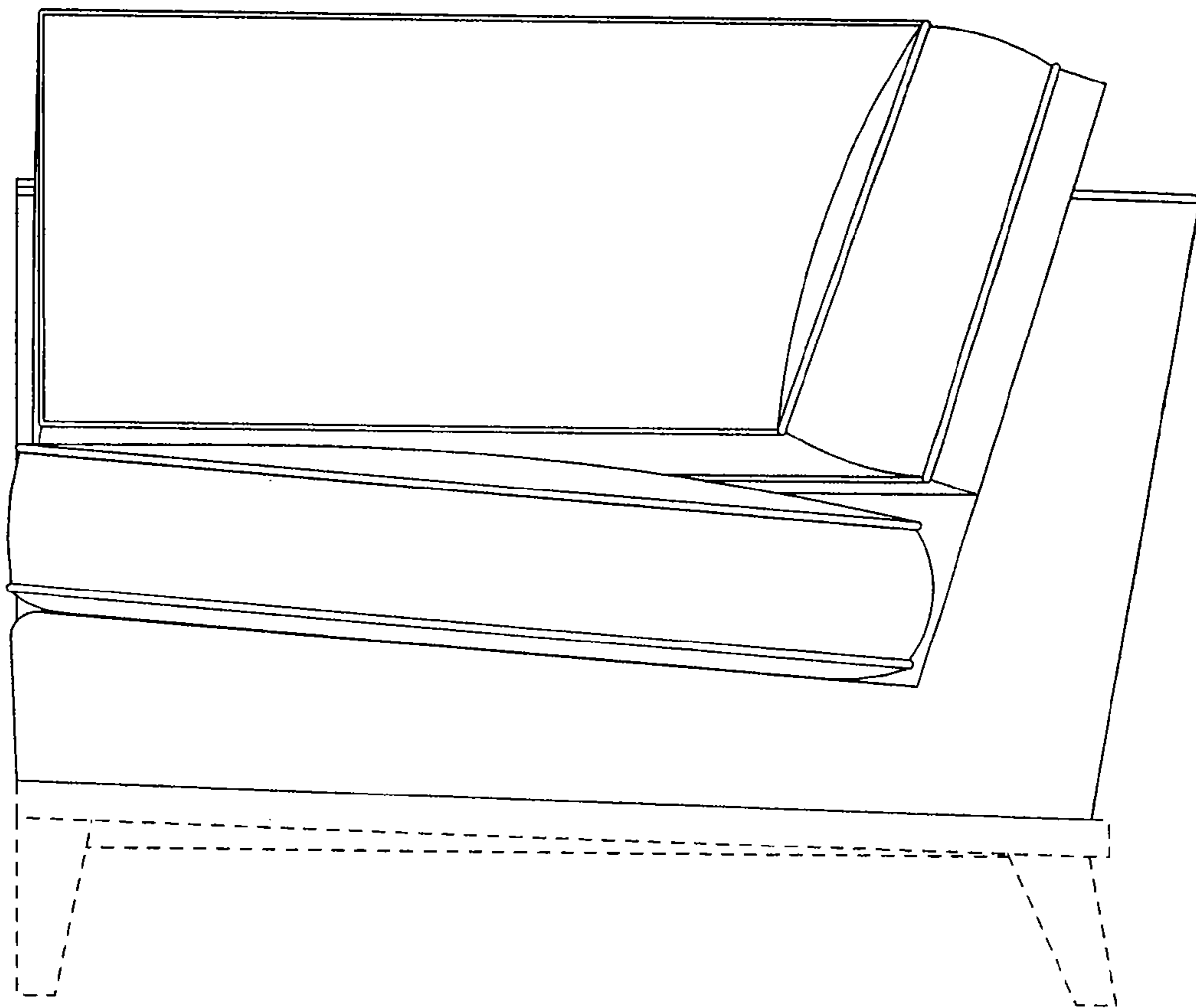


FIG. 4

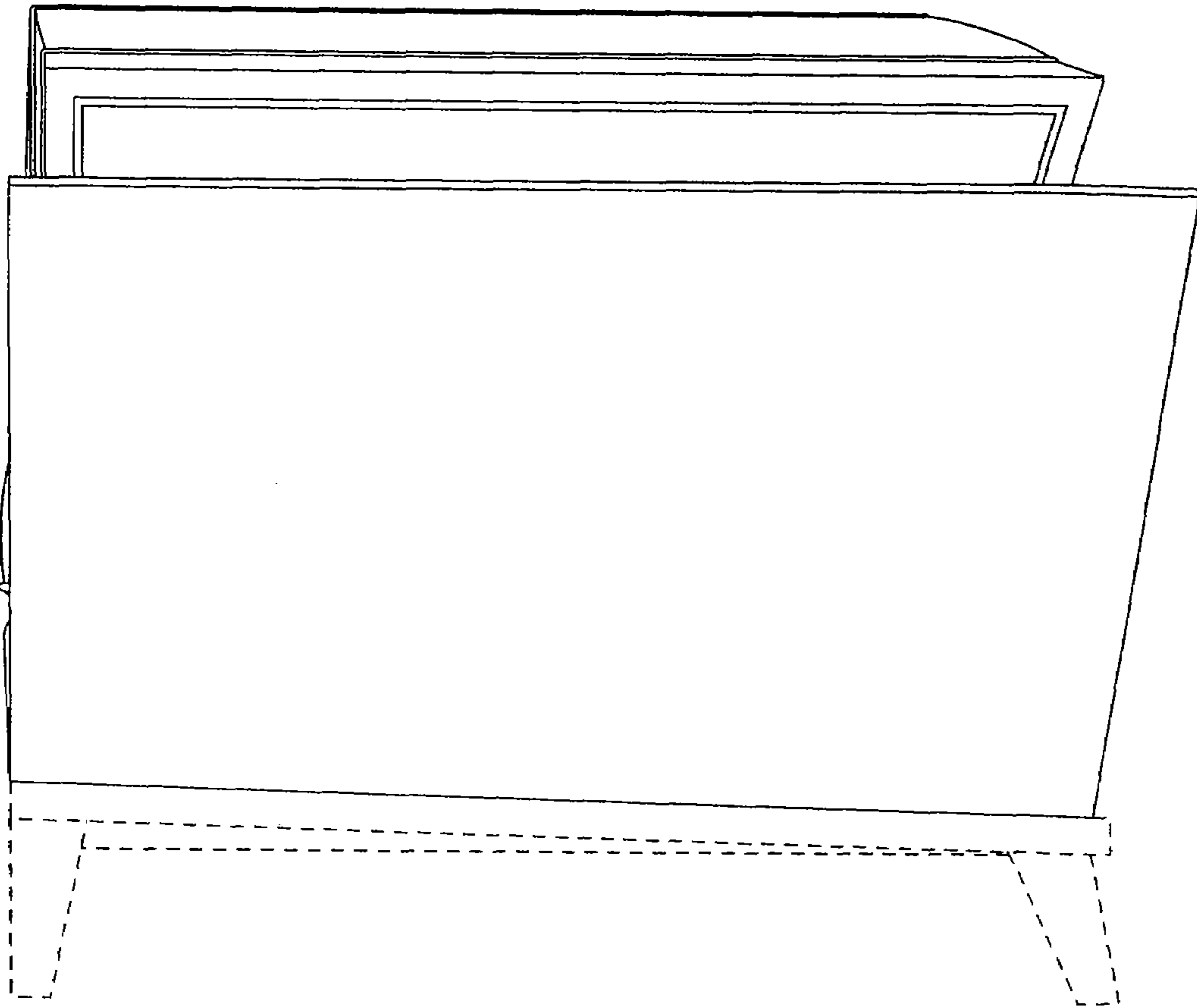


FIG. 5

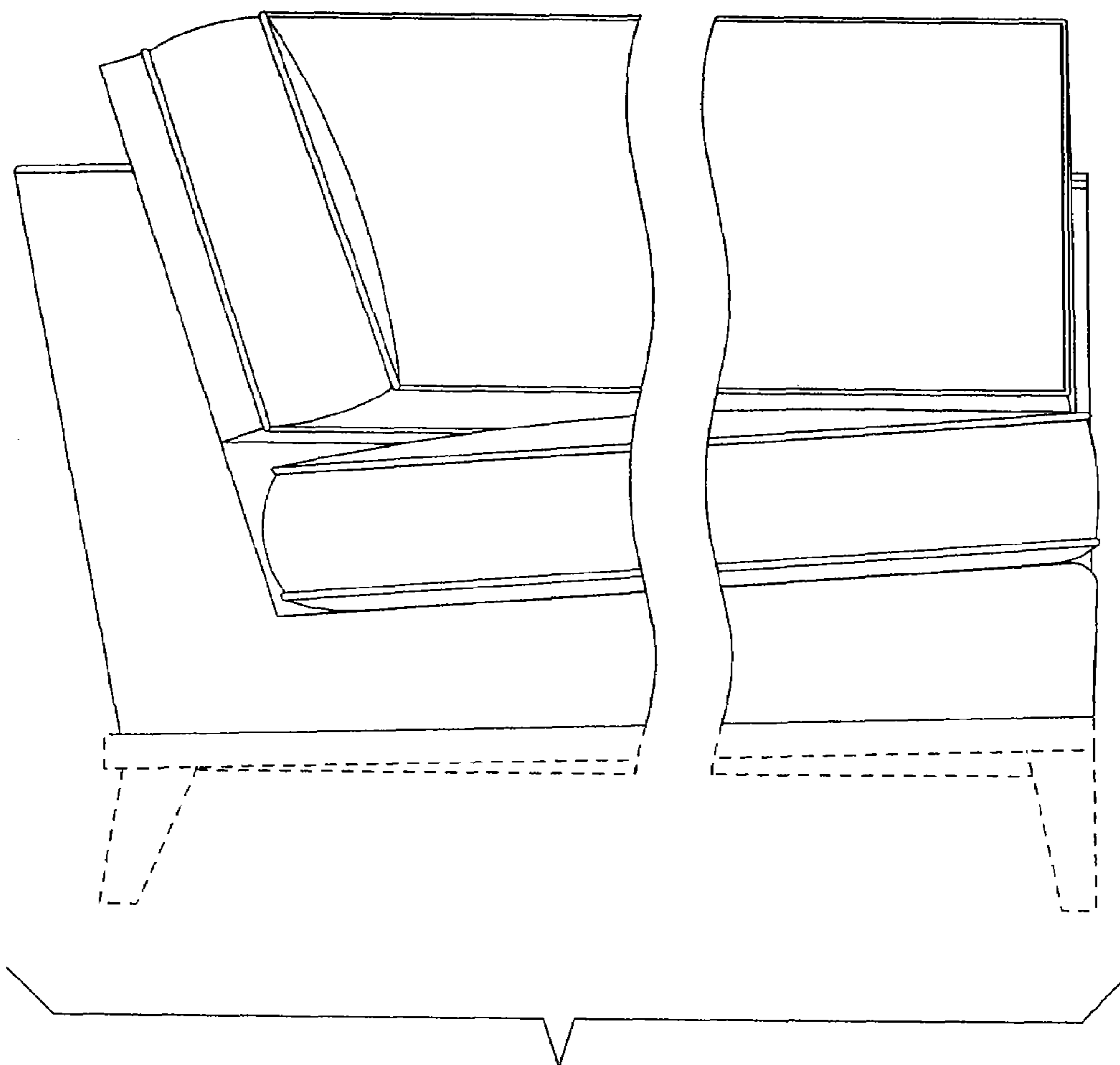


FIG. 6

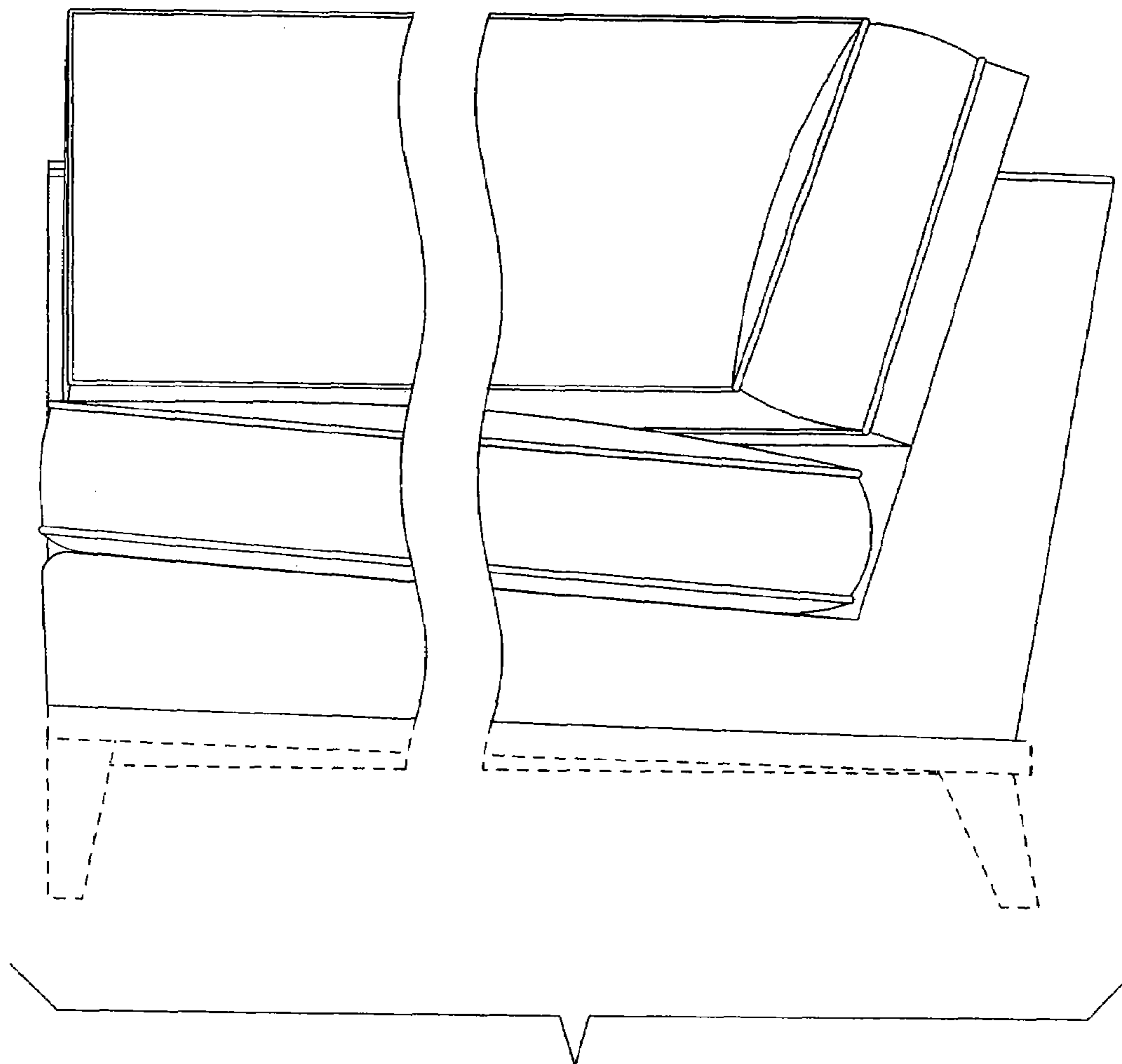


FIG. 7