



US00D544230S

(12) **United States Design Patent**
Glass et al.

(10) **Patent No.:** **US D544,230 S**
(45) **Date of Patent:** **** Jun. 12, 2007**

(54) **CHAIR**
(75) Inventors: **Peter Glass**, Arroyo Grande, CA (US);
Robert J. Mills, Torrance, CA (US)
(73) Assignee: **Virco Mgmt. Corporation**, Torrance,
CA (US)
(**) Term: **14 Years**

D388,629 S 1/1998 Piretti
D470,320 S * 2/2003 Schloss D6/375
D471,729 S * 3/2003 Glass et al. D6/375
D471,730 S 3/2003 Schloss
D473,407 S * 4/2003 Ross D6/500
D499,260 S * 12/2004 Glass et al. D6/375
D507,893 S * 8/2005 Glass et al. D6/360
D513,911 S * 1/2006 Glass et al. D6/502
D514,339 S * 2/2006 Glass et al. D6/366
D526,134 S * 8/2006 Glass et al. D6/375

(21) Appl. No.: **29/243,069**

OTHER PUBLICATIONS

(22) Filed: **Nov. 17, 2005**

2 Photos of Artco-Bell Chairs, Jan. 2005.
Internet Advertisement for desk and chair combination, publication
date unknown, but at least as early as Jun. 14, 2005.
From Artco-Bell Web site, date unknown, but at least as early as Jun.
20, 2005.
Internet Advertisement: New Product Introductions, NeoCon, Chi-
cago, 2005.

(51) **LOC (8) Cl.** **06-01**
(52) **U.S. Cl.** **D6/375**
(58) **Field of Classification Search** D6/334-336,
D6/338, 366, 367, 371-374, 375, 376, 379,
D6/380, 499, 500-502; 297/DIG. 2, 445.1,
297/447.1, 447.2, 452.12, 452.19

See application file for complete search history.

(Continued)

(56) **References Cited**

Primary Examiner—Mimosa De
(74) *Attorney, Agent, or Firm*—Sheldon & Mak; Denton L.
Anderson; Robert M. Hupe

U.S. PATENT DOCUMENTS

(57) **CLAIM**

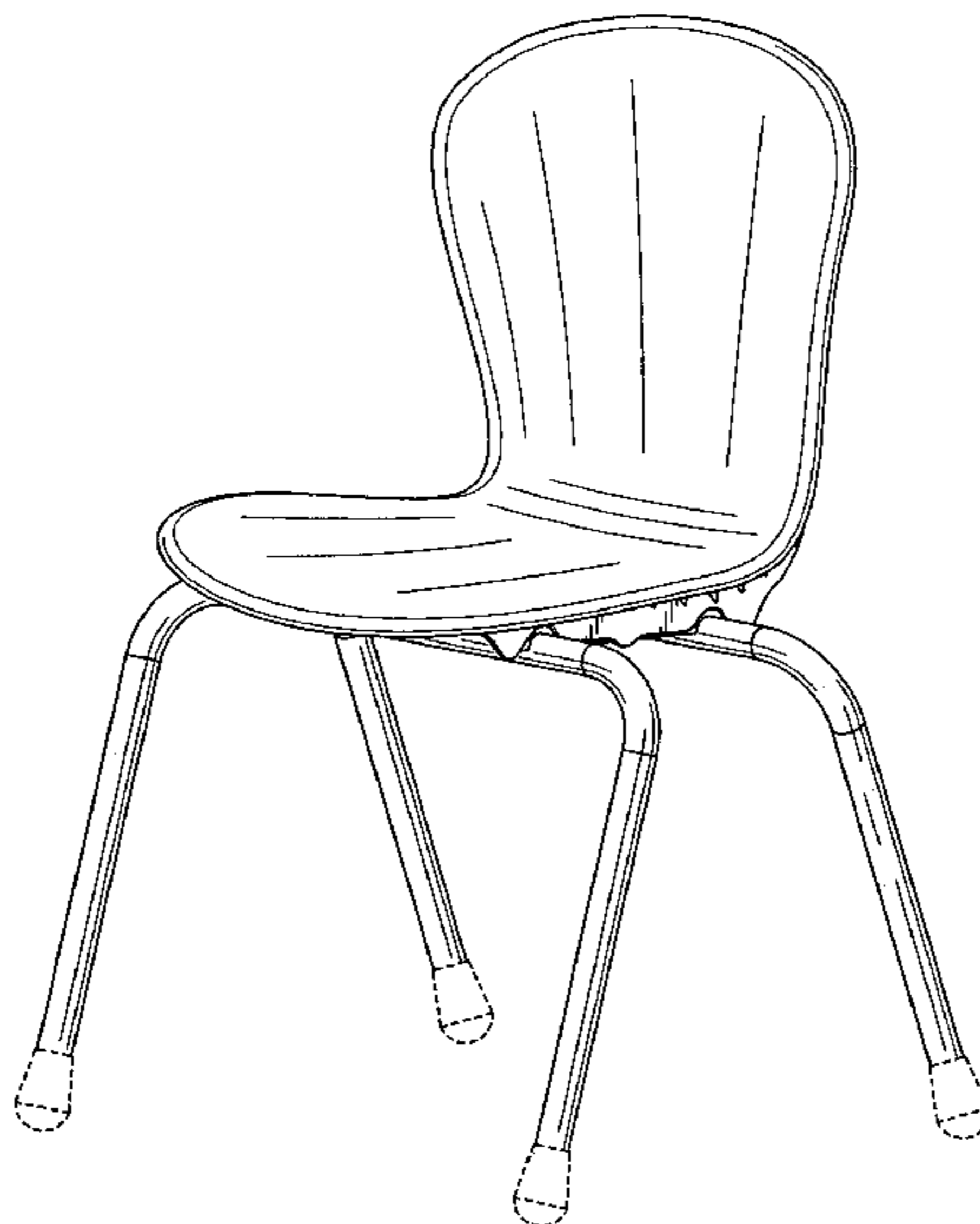
D150,683 S 8/1948 Eames
D150,685 S 8/1948 Eames
D155,272 S 9/1949 Eames
D155,273 S 9/1949 Eames
D155,274 S 9/1949 Eames
D169,930 S 6/1953 Chapman et al.
D169,931 S 6/1953 Chapman et al.
D171,116 S 12/1953 Adkinson
D181,241 S 10/1957 Swanson
D186,103 S 9/1959 Junkune
D195,620 S 7/1963 Chapman et al.
D202,548 S * 10/1965 Kramer D6/375
D202,549 S * 10/1965 Kramer D6/375
D202,550 S * 10/1965 Kramer D6/375
3,276,818 A 10/1966 Durfee et al.
4,002,369 A 1/1977 Jennings
5,154,474 A 10/1992 Desanta
D360,083 S * 7/1995 Lohmeyer D6/375

The ornamental design for a chair, as shown and described.

DESCRIPTION

FIG. 1 is a perspective view of the chair of the invention;
FIG. 2 is a front view of the chair illustrated in FIG. 1;
FIG. 3 is a left side view and the mirror image of the right
side view of the chair illustrated in FIG. 1;
FIG. 4 is a top view of the chair illustrated in FIG. 1;
FIG. 5 is a bottom view of the chair illustrated in FIG. 1;
and,
FIG. 6 is a rear view of the chair illustrated in FIG. 1.

1 Claim, 4 Drawing Sheets



OTHER PUBLICATIONS

Internet Advertisement: NeoCon World's Trade Fair 2005, Jun. 13-15, 2005.

Internet Advertisement: NeoCon World's Trade Fair Interior Design Show Daily Internet date Jun. 16, 2005.

Internet Advertisement: ERG International—Office and Contract Furniture, Internet date Jun. 16, 2005.

Internet Advertisement: Versteel—Chela, publication date unknown internet date Jun. 16, 2005.

Internet Advertisement: Bernhardt Design, publication date unknown.

Internet Advertisement: Gauss-Chair.com, publication date unknown internet date Jun. 16, 2005.

* cited by examiner

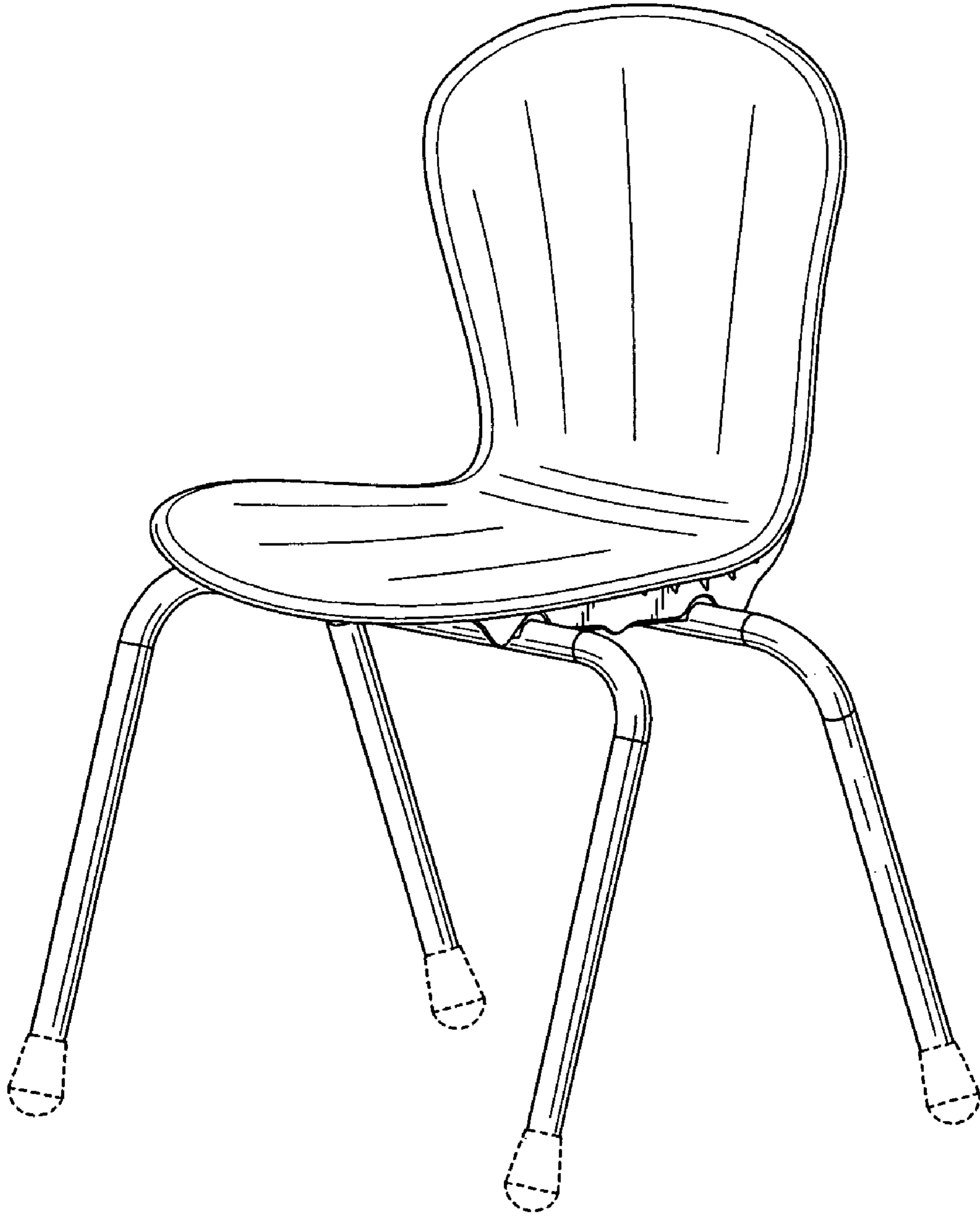


FIG. 1

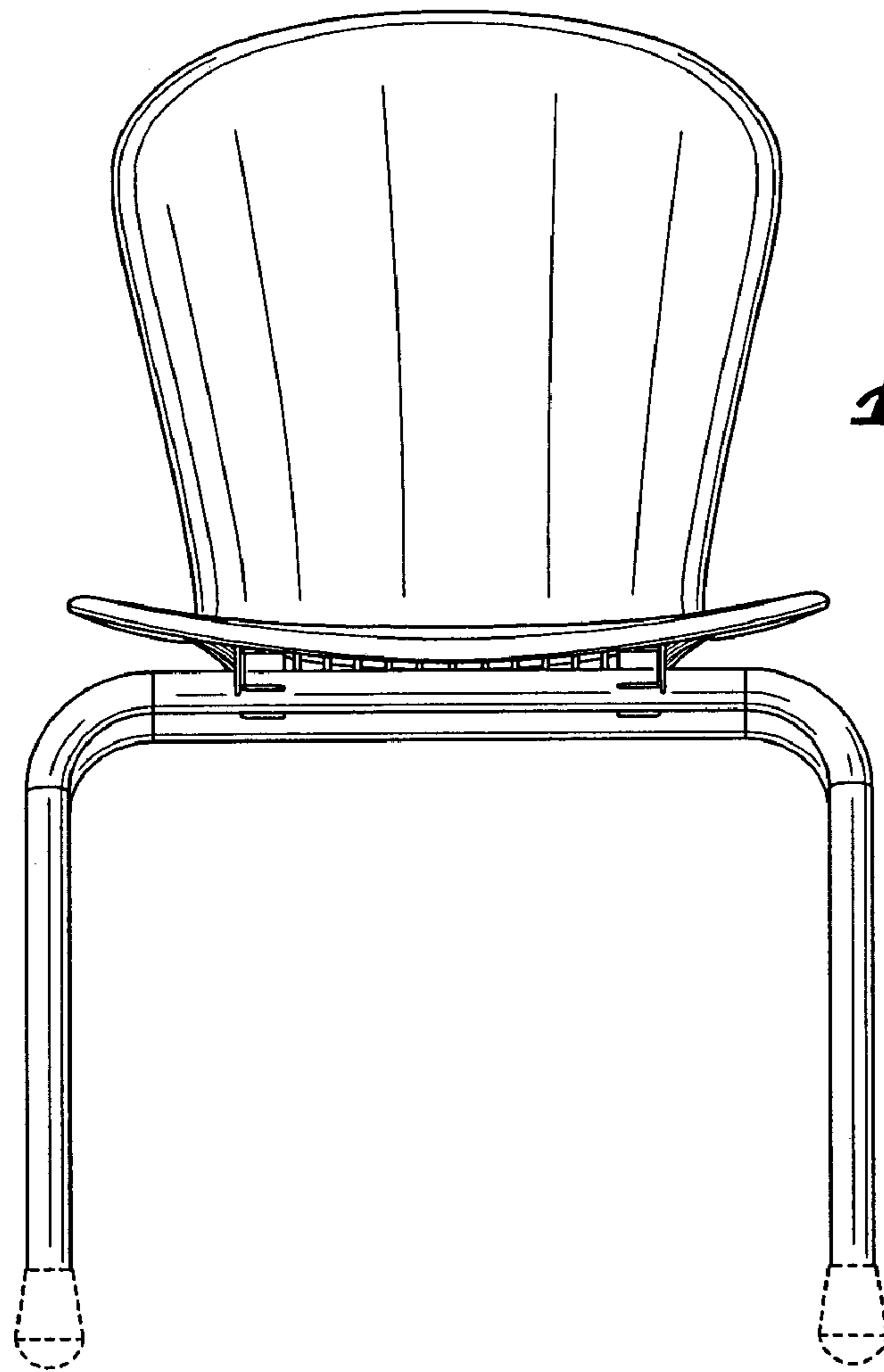


FIG. 2

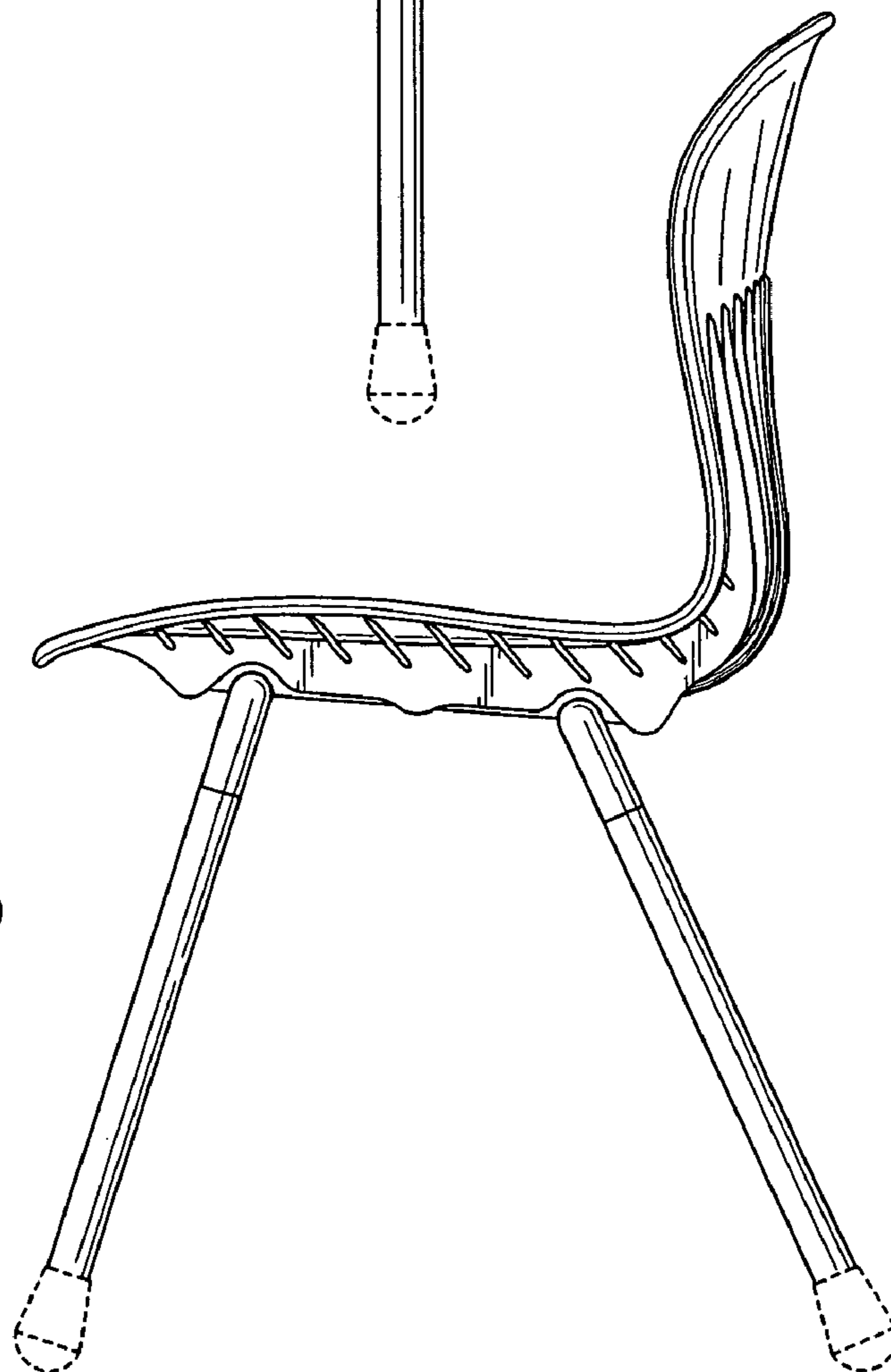


FIG. 3

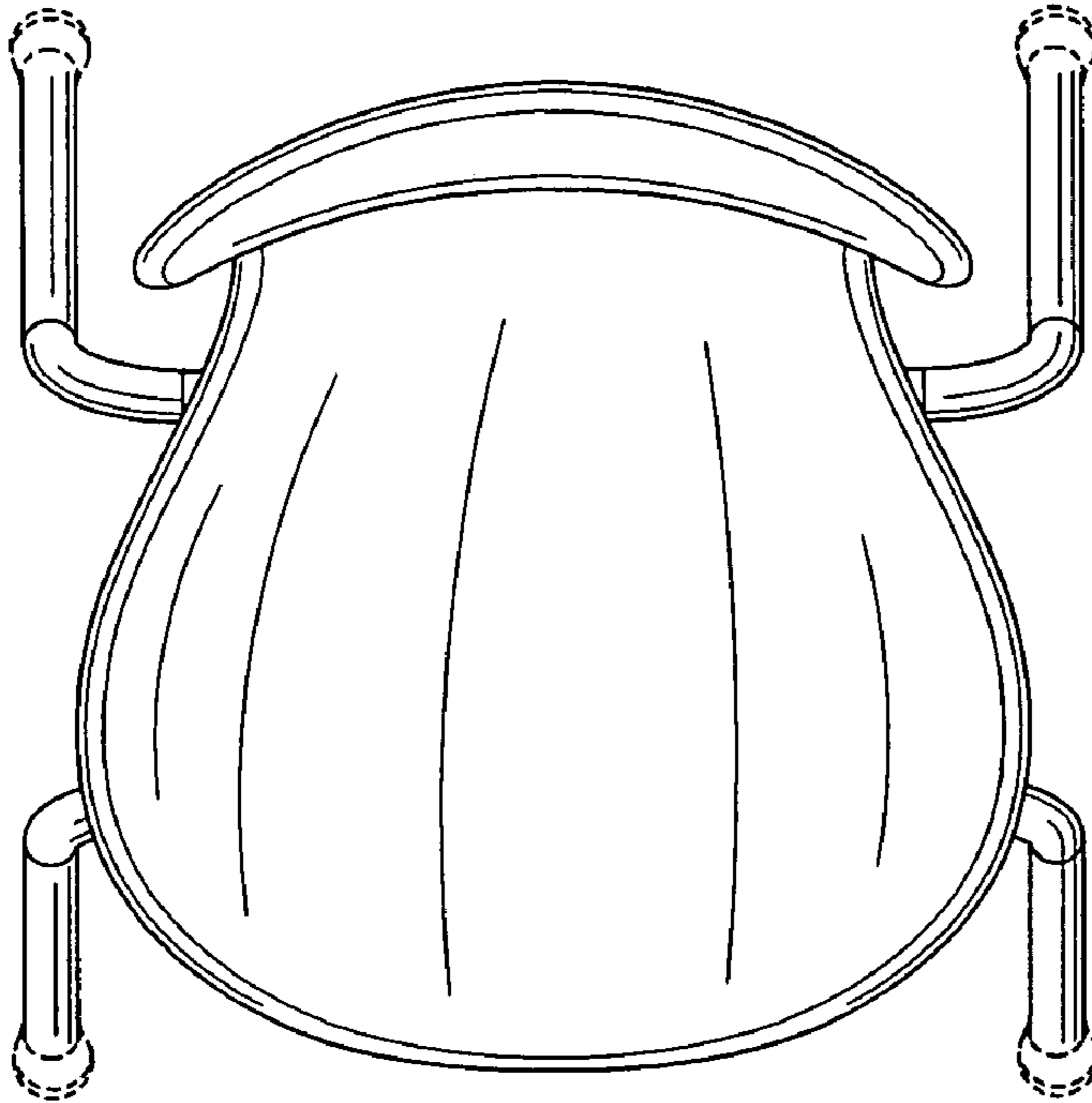


FIG. 4

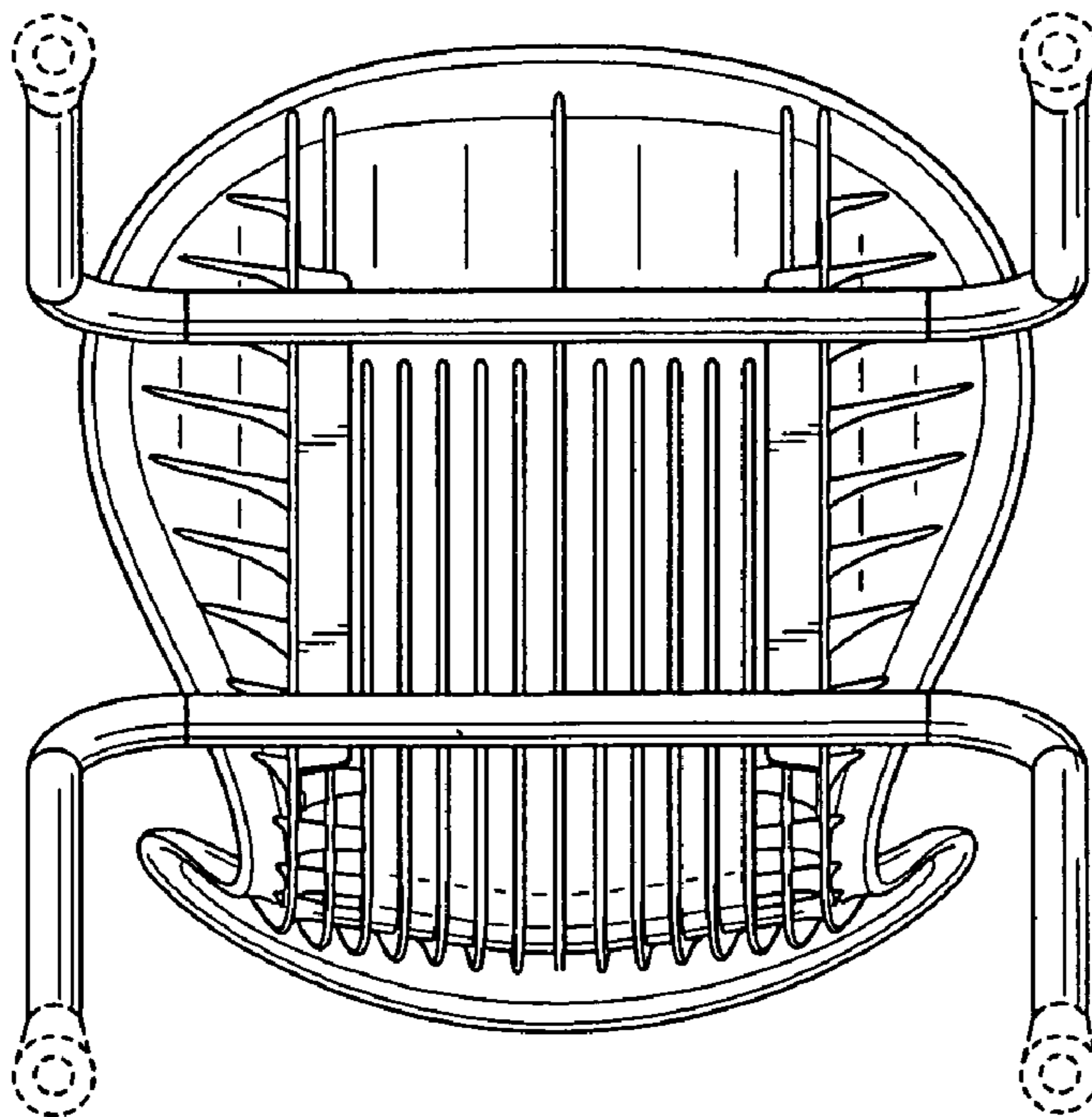


FIG. 5

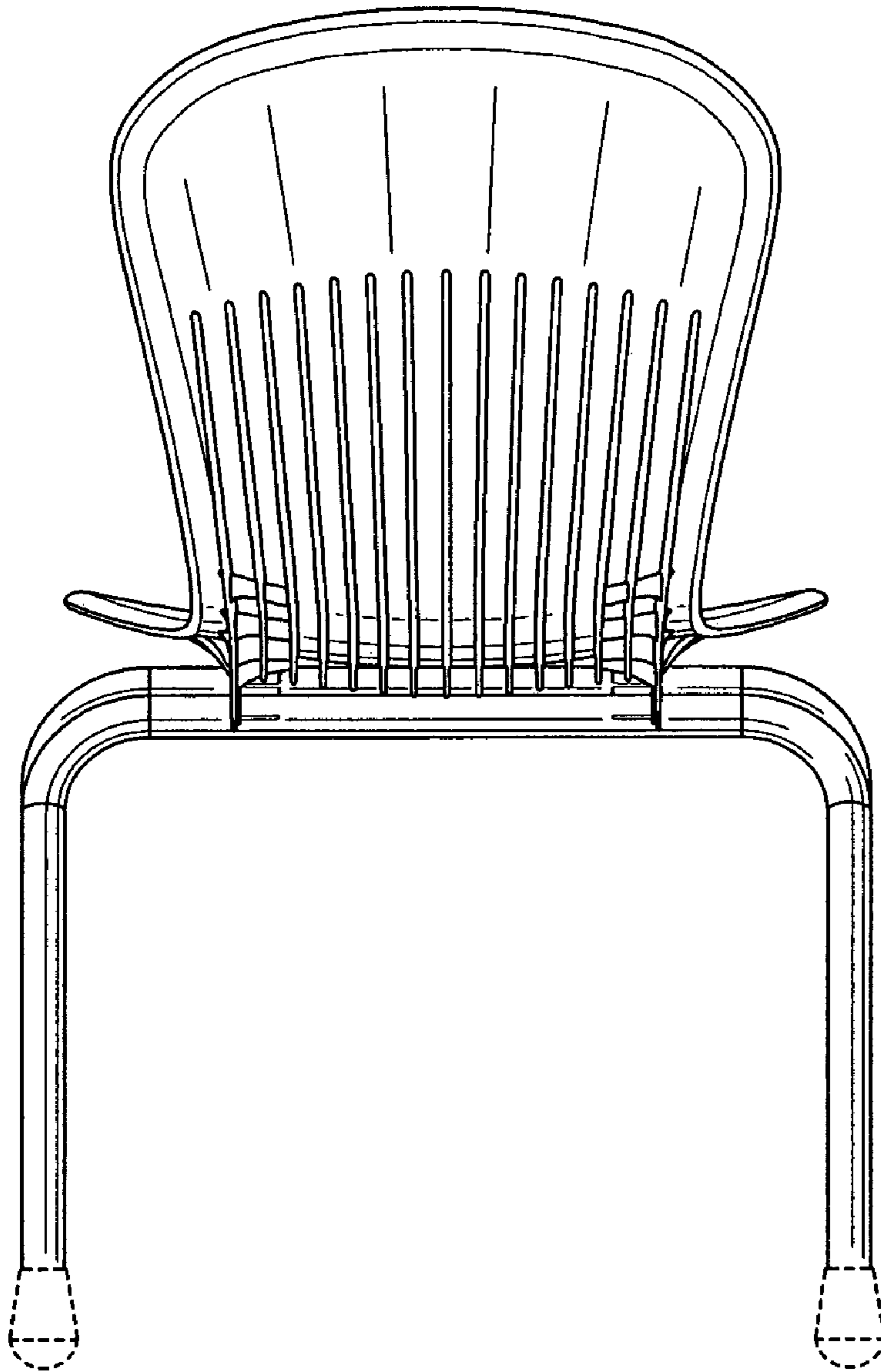


FIG. 6