

US00D544226S

(12) **United States Design Patent**
Doughty

(10) **Patent No.:** **US D544,226 S**

(45) **Date of Patent:** **** Jun. 12, 2007**

(54) **CHAIR**

(75) **Inventor:** **Frederic C. Doughty**, Ventura, CA
(US)

(73) **Assignee:** **Agio International Co., Ltd.**, East
Kowloon (HK)

(**) **Term:** **14 Years**

(21) **Appl. No.:** **29/245,782**

(22) **Filed:** **Dec. 29, 2005**

(51) **LOC (8) Cl.** **06-01**

(52) **U.S. Cl.** **D6/370; D6/376**

(58) **Field of Classification Search** D6/334-336,
D6/369, 370, 374, 375, 376, 379, 380, 500-502;
297/411.4, 411.42, 411.44, 411.45, 445.1,
297/446.1, 452.63, 452.64

See application file for complete search history.

(56) **References Cited**

U.S. PATENT DOCUMENTS

D290,194 S	*	6/1987	Zola	D6/369
D314,088 S	*	1/1991	Yau Kee	D6/379
D339,928 S	*	10/1993	Caldwell	D6/370
D341,955 S	*	12/1993	Hess	D6/376

D362,349 S	*	9/1995	Pomeroy et al.	D6/370
D394,560 S	*	5/1998	Lowman et al.	D6/380
D420,825 S	*	2/2000	Lin	D6/370
D426,396 S	*	6/2000	Gaylord et al.	D6/376
D434,921 S	*	12/2000	Tseng	D6/376
D452,082 S	*	12/2001	Pluer	D6/375
D486,660 S	*	2/2004	Tseng	D6/376
D489,543 S	*	5/2004	Homestead	D6/375
D497,491 S	*	10/2004	Pluer	D6/376

* cited by examiner

Primary Examiner—Mimosa De

(74) *Attorney, Agent, or Firm*—Williams Mullen; M. Bruce Harper

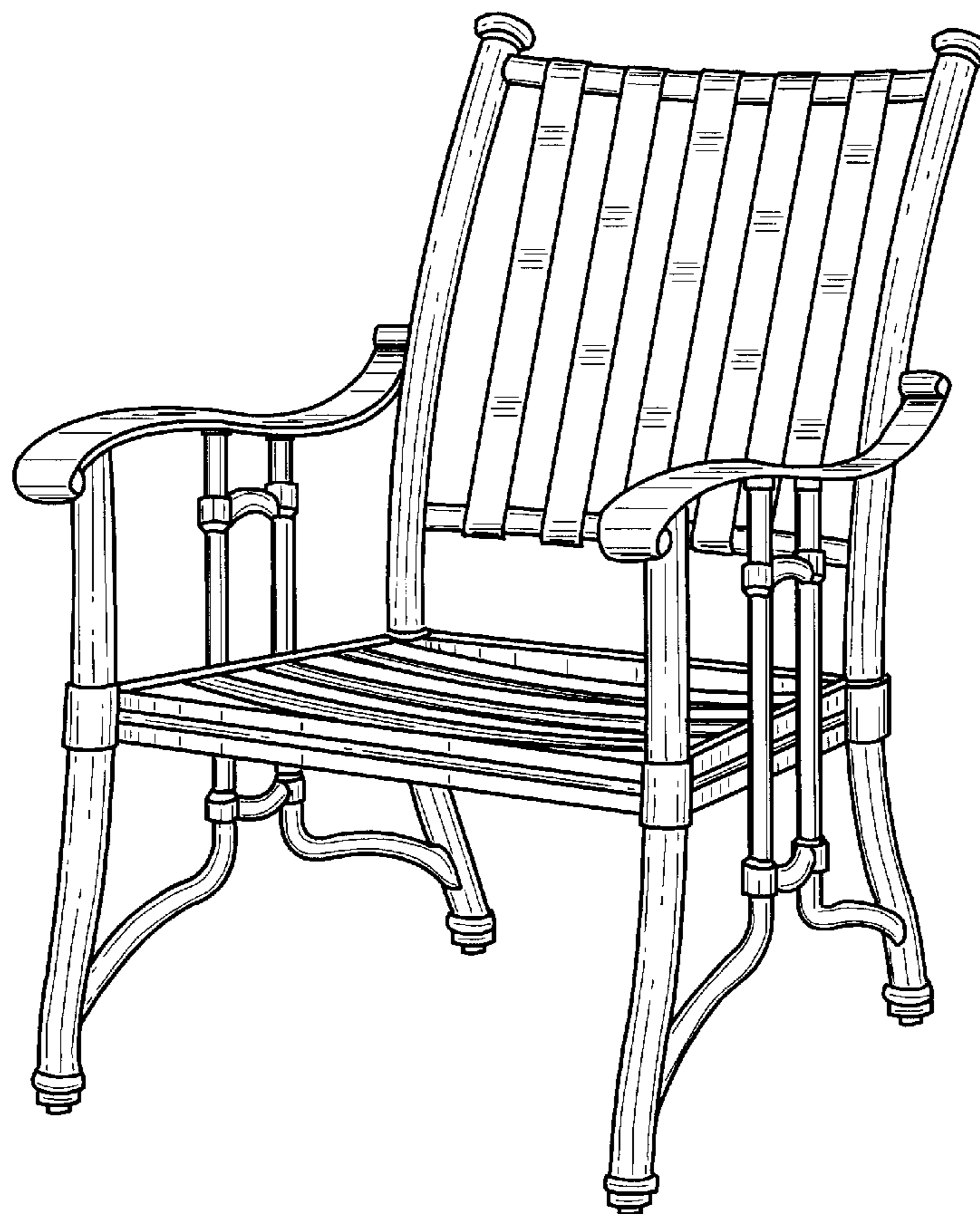
(57) **CLAIM**

The ornamental design for a chair, as shown.

DESCRIPTION

FIG. 1 is a left side and front perspective view;
FIG. 2 is a front view;
FIG. 3 is a rear view;
FIG. 4 is a right side view;
FIG. 5 is a left side view;
FIG. 6 is a top view; and,
FIG. 7 is a bottom view.

1 Claim, 4 Drawing Sheets



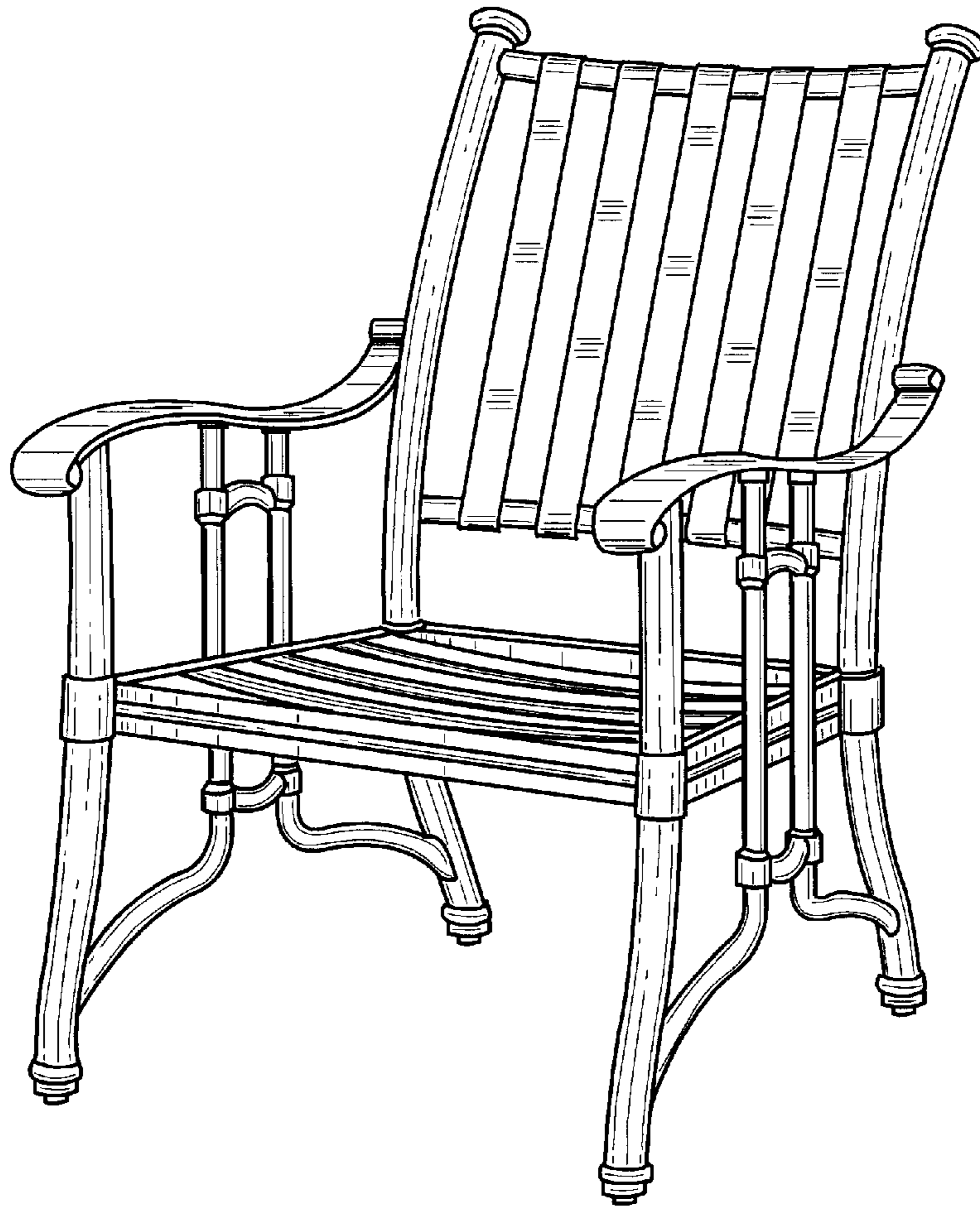


FIG. 1

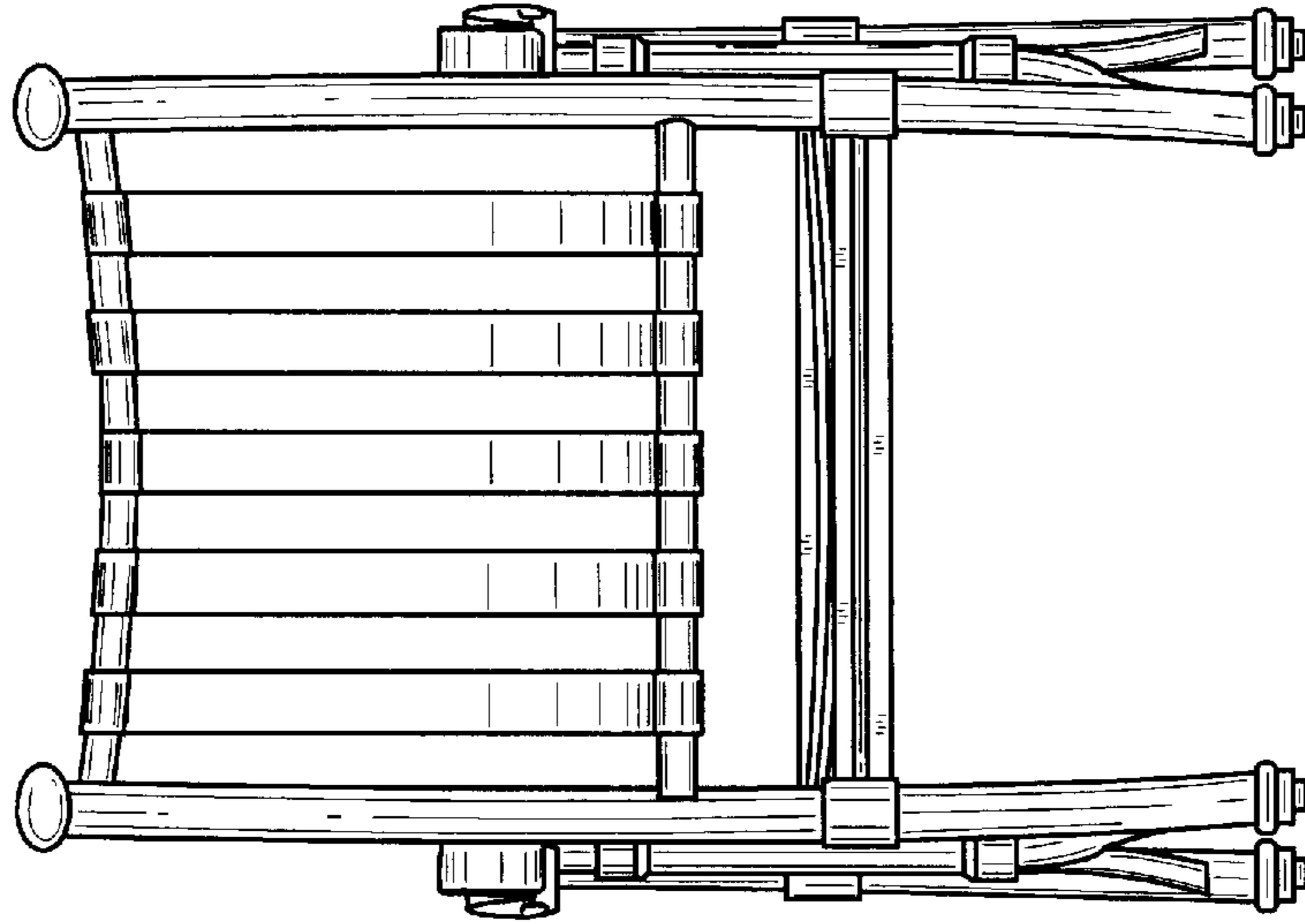


FIG. 3

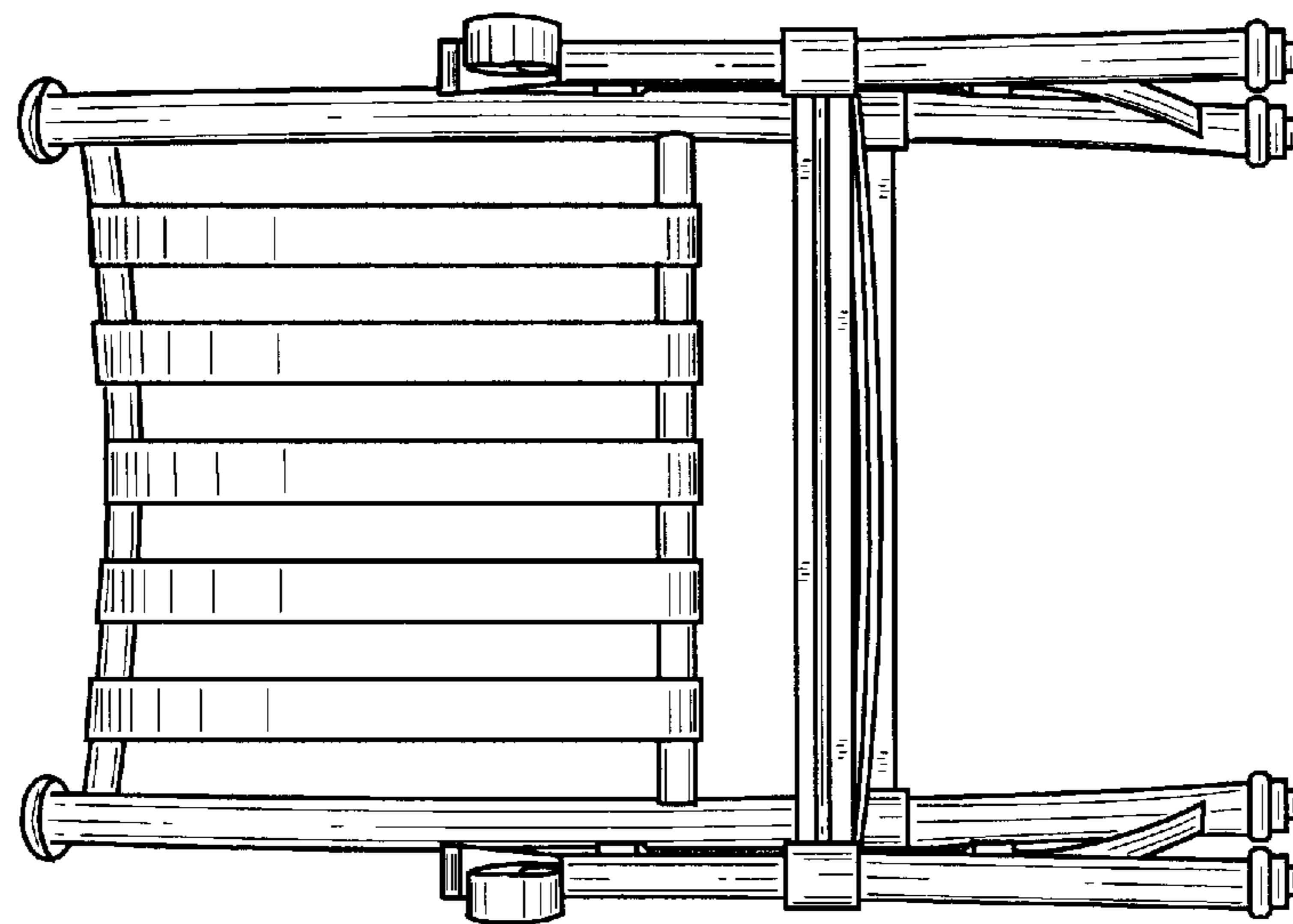


FIG. 2

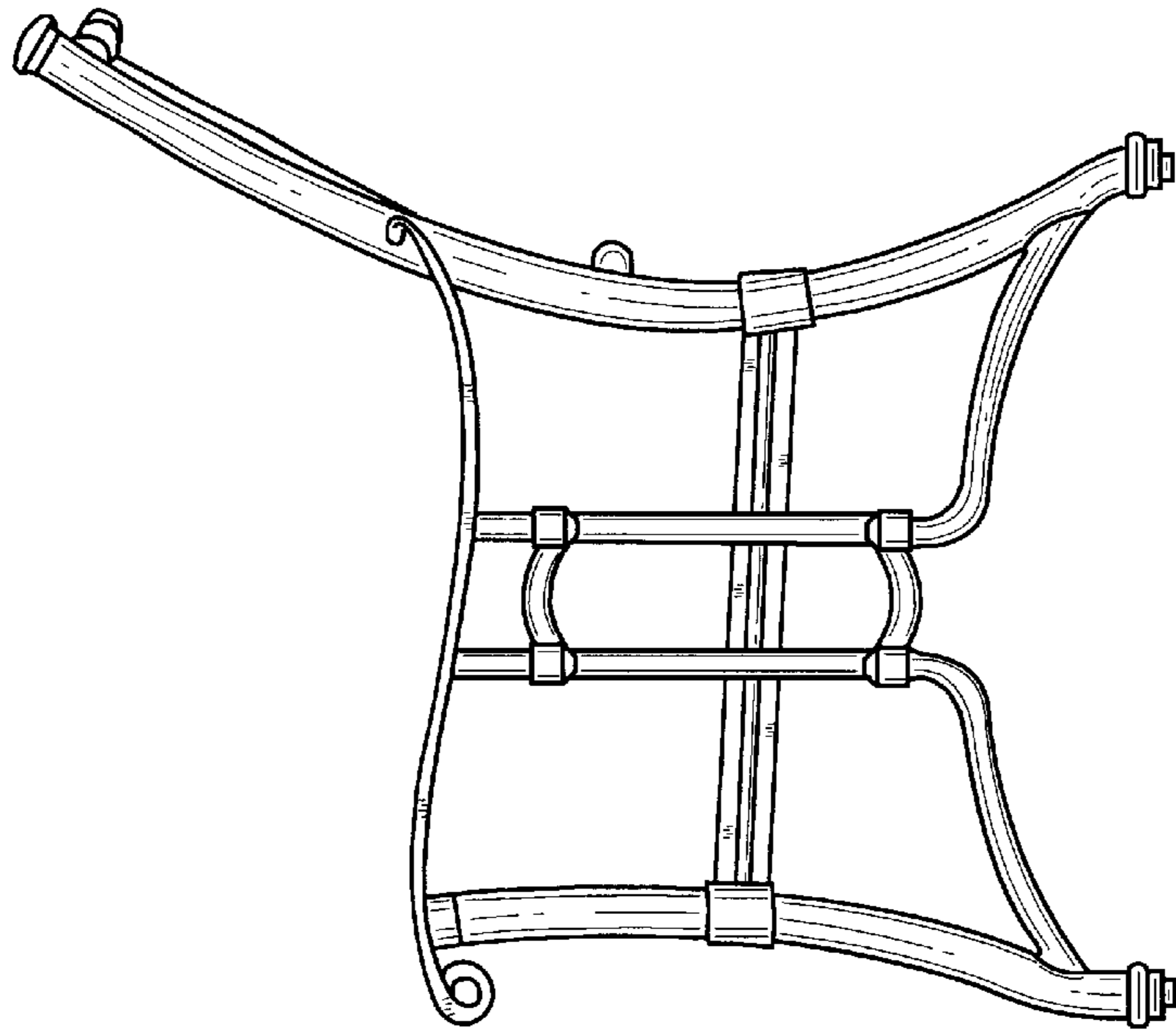


FIG. 5

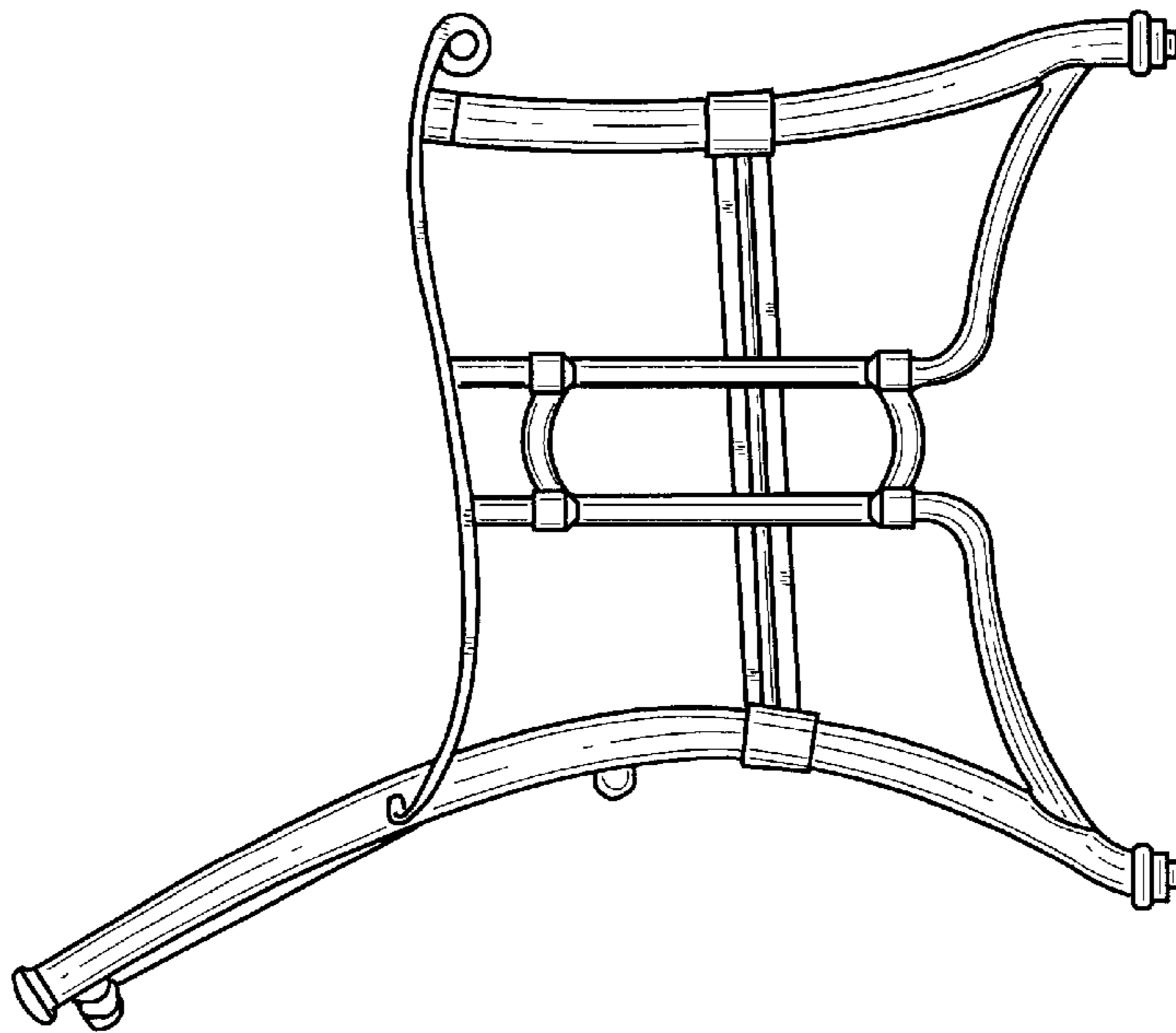


FIG. 4

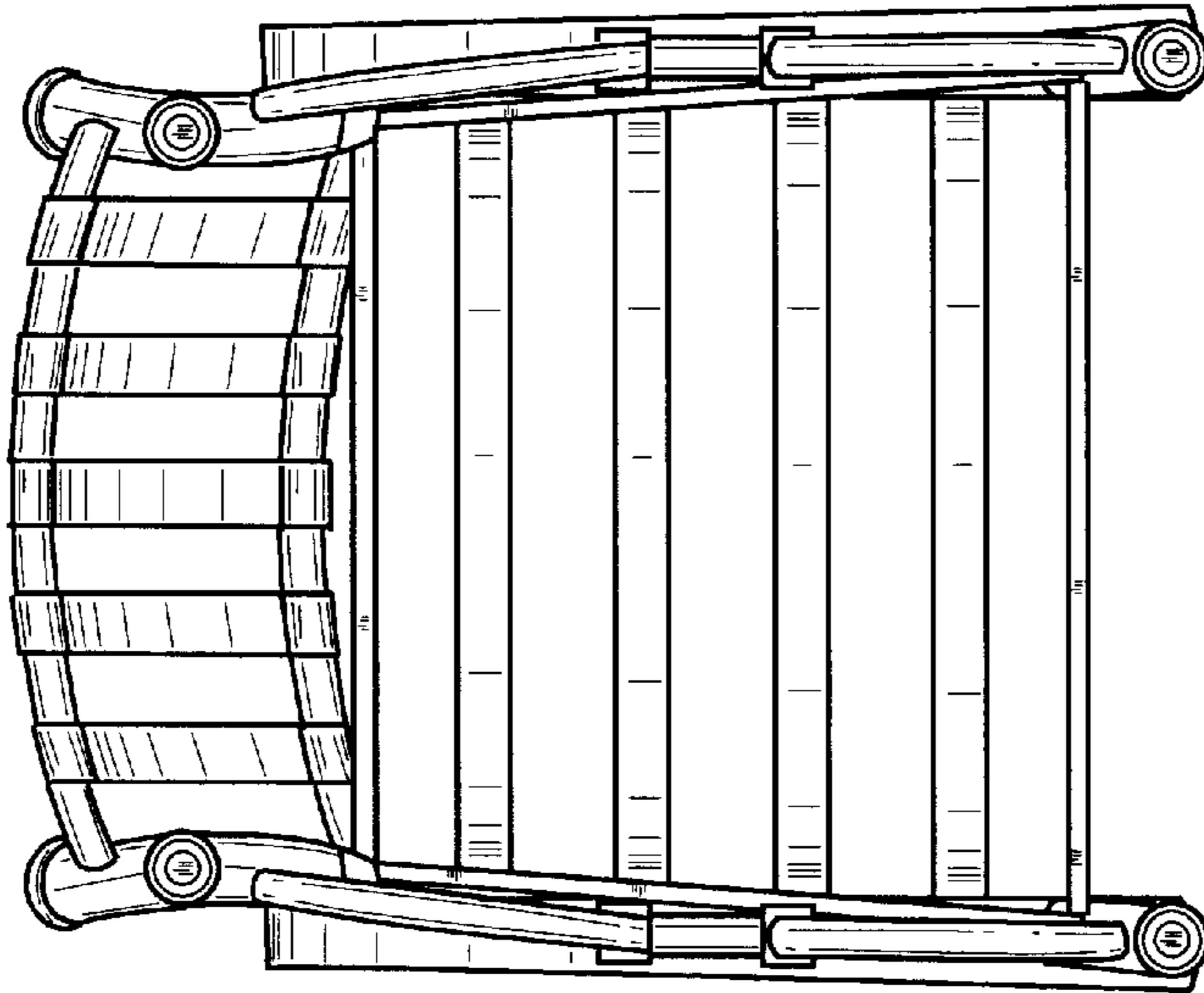


FIG. 6

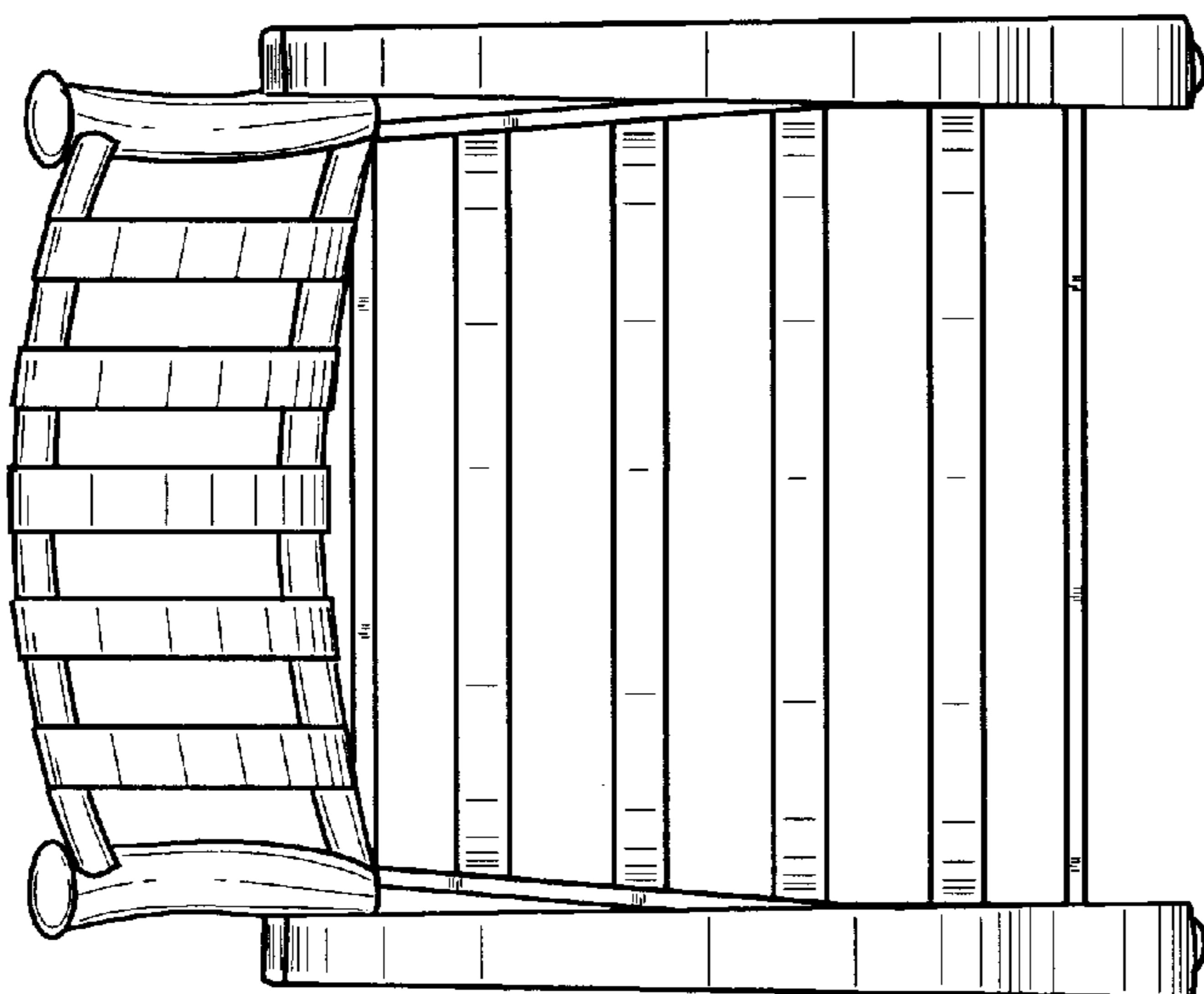


FIG. 7