



US00D544224S

(12) **United States Design Patent**
Zhuo

(10) **Patent No.:** **US D544,224 S**

(45) **Date of Patent:** **** Jun. 12, 2007**

(54) **MESSAGE CHAIR**

D536,189 S * 2/2007 Kita D6/367

(75) Inventor: **Roy Honglie Zhuo**, Singapore (SG)

(73) Assignee: **OSIM International Ltd.**, Singapore (SG)

(**) Term: **14 Years**

(21) Appl. No.: **29/248,699**

(22) Filed: **Aug. 29, 2006**

(51) **LOC (8) Cl.** **06-01**

(52) **U.S. Cl.** **D6/367**

(58) **Field of Classification Search** D6/334-336,
D6/360, 361, 367, 371, 373, 500-502; 297/217.1,
297/217.2, 217.3, 411.45, 423.19, 423.2;
601/97-99, 115, 116, 148, 149
See application file for complete search history.

(56) **References Cited**

U.S. PATENT DOCUMENTS

D372,801 S *	8/1996	Fujimoto et al.	D6/367
D372,802 S *	8/1996	Fujimoto et al.	D6/367
5,762,618 A *	6/1998	Yamanaka et al.	601/148
D418,990 S *	1/2000	Oguri et al.	D6/367
D447,348 S *	9/2001	Kobayashi et al.	D6/335
D471,372 S *	3/2003	Inada et al.	D6/367
D491,375 S *	6/2004	Yuyama	D6/335
D502,607 S *	3/2005	Miyake et al.	D6/367
D502,817 S *	3/2005	Inada et al.	D6/367
D517,337 S *	3/2006	Mori	D6/367
D517,338 S *	3/2006	Inada et al.	D6/367

OTHER PUBLICATIONS

OSIM healthfocus—iMedic 500 brochure; OSIM International Ltd. Copyright 2004.

* cited by examiner

Primary Examiner—Mimosa De

(74) *Attorney, Agent, or Firm*—Baker & McKenzie LLP

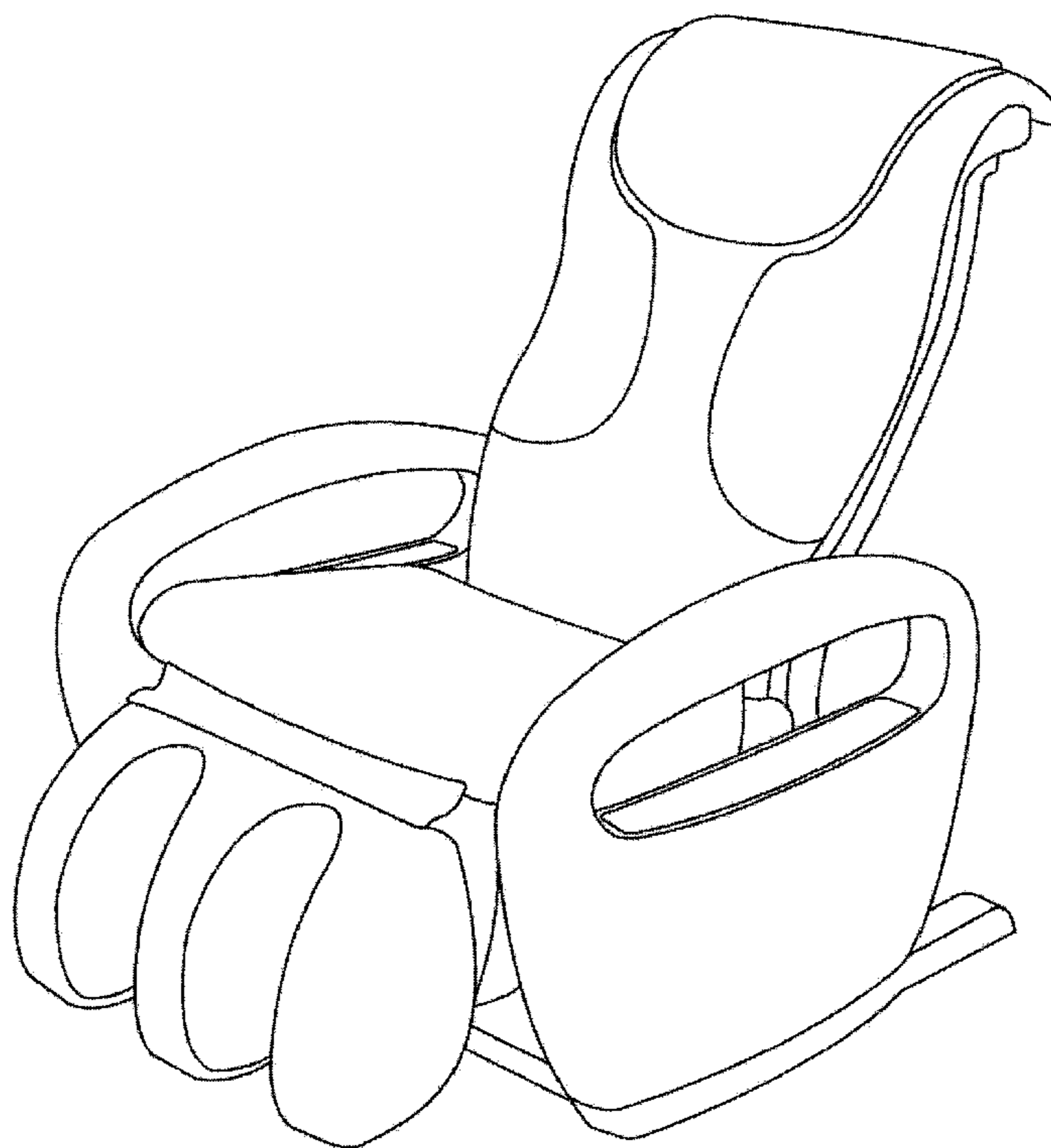
(57) **CLAIM**

The ornamental design for a massage chair, as illustrated and described.

DESCRIPTION

FIG. 1 is a front view of the massage chair;
 FIG. 2 is a back view in FIG. 1;
 FIG. 3 is a top view in FIGS. 1-2;
 FIG. 4 is a bottom view that is opposite of the top view in FIGS. 1-3;
 FIG. 5 is a left end view in FIGS. 1-4;
 FIG. 6 is a right end view in FIGS. 1-5;
 FIG. 7 is a left recline view in FIGS. 1-6;
 FIG. 8 is a rotated perspective view of the front in FIGS. 1-7;
 FIG. 9 is a rotated perspective view of the back in FIGS. 1-8;
 and,
 FIG. 10 is a rotated perspective recline view of the front in FIGS. 1-9.

1 Claim, 10 Drawing Sheets



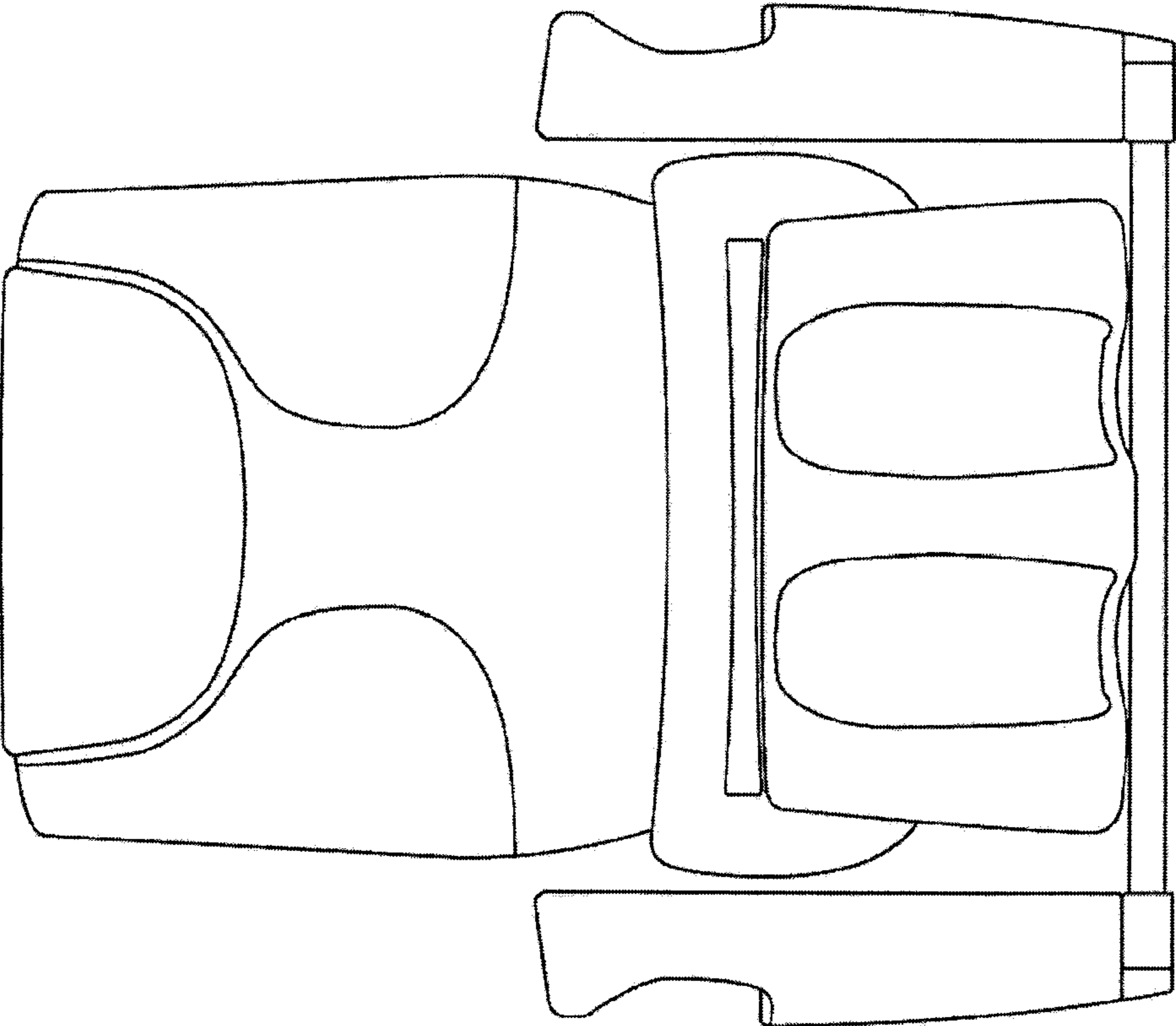


FIG. 1

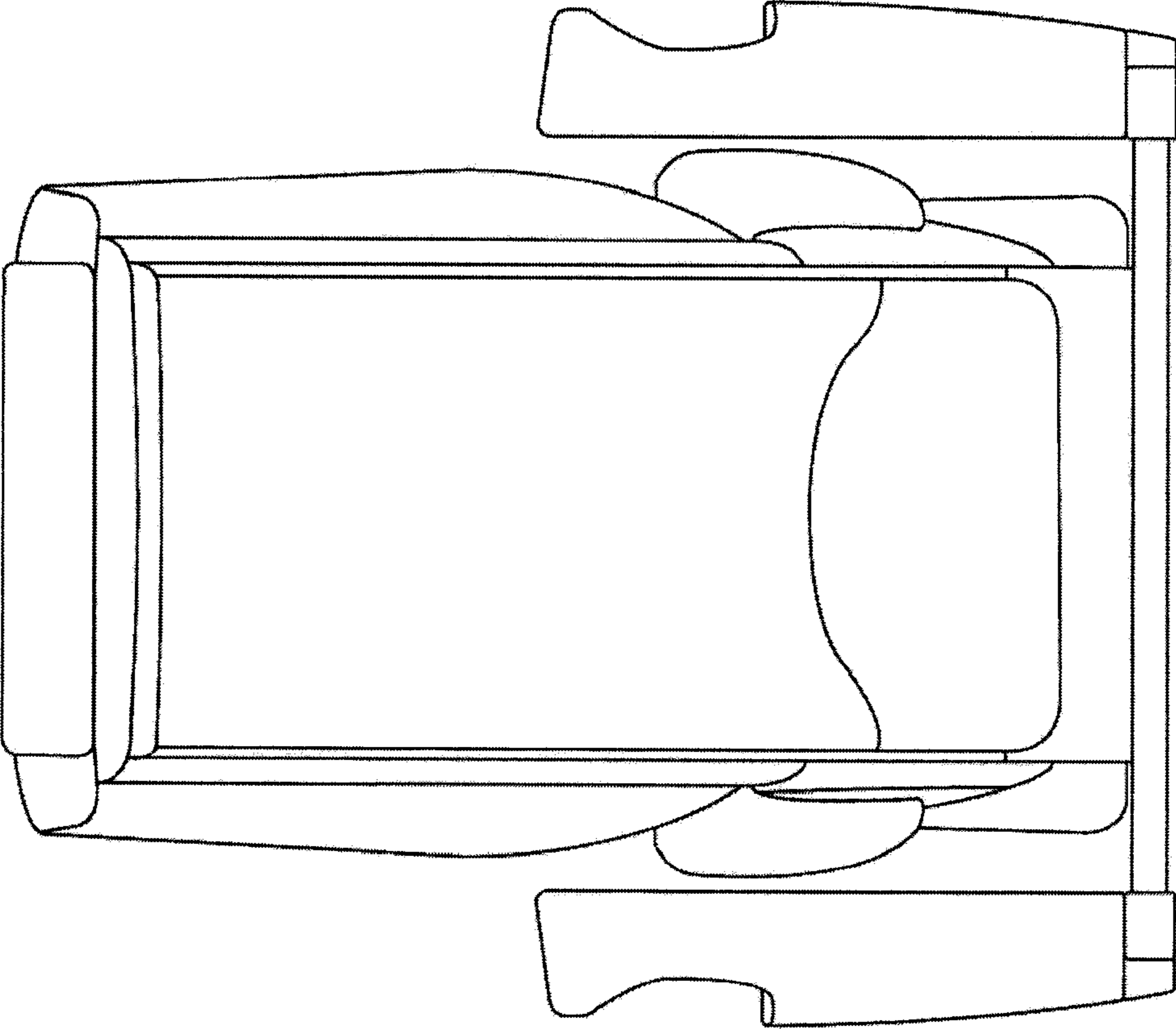


FIG. 2

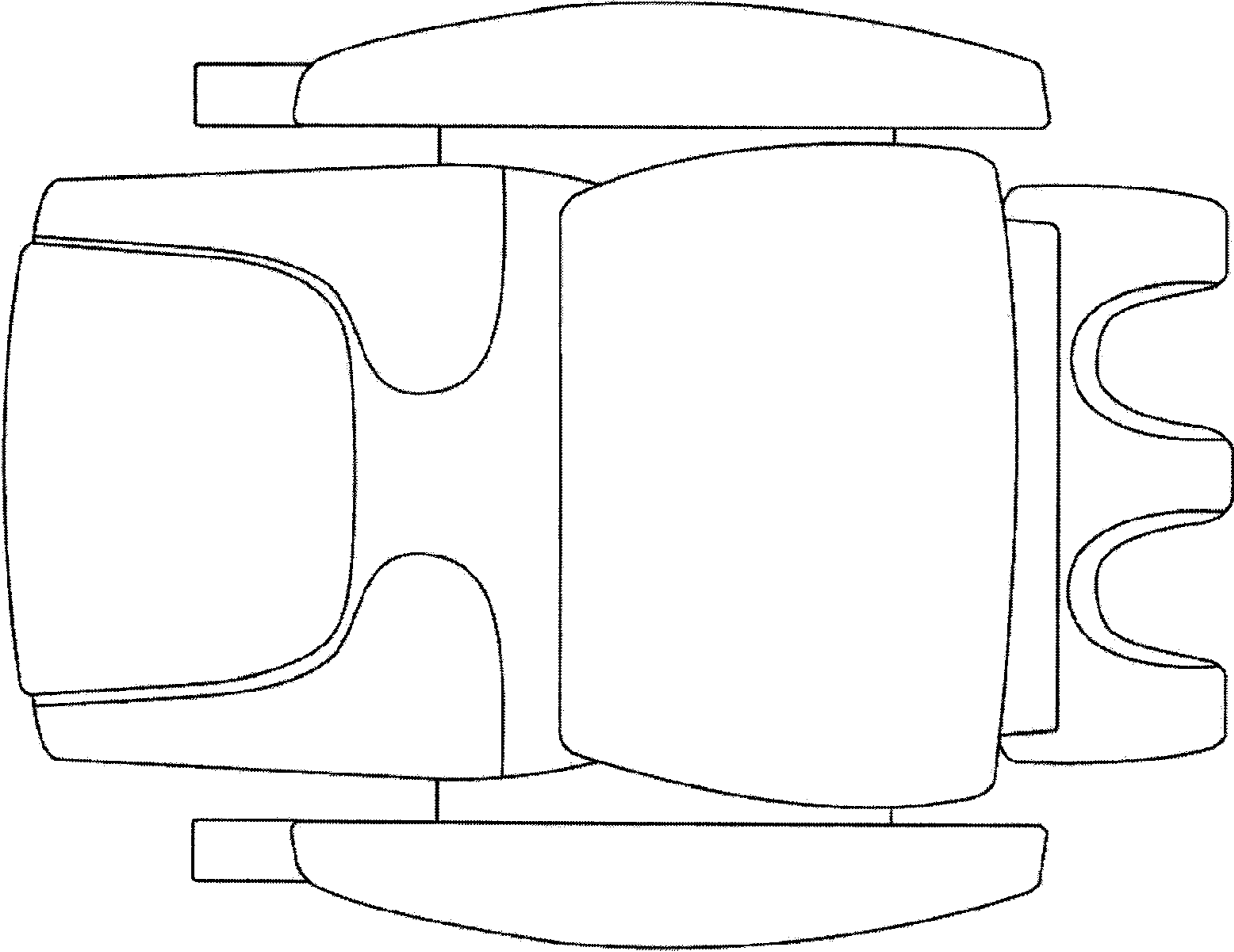


FIG. 3

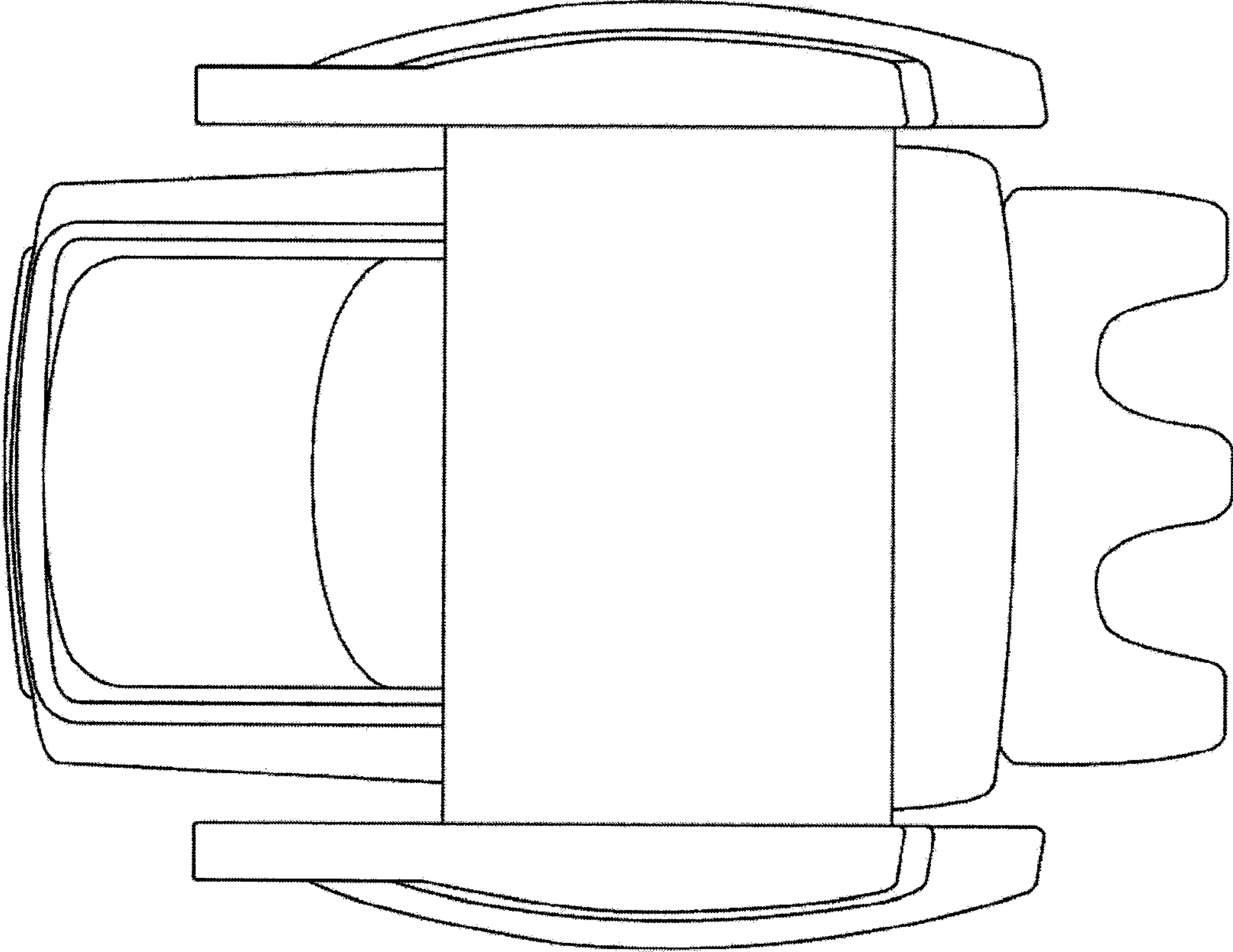


FIG. 4

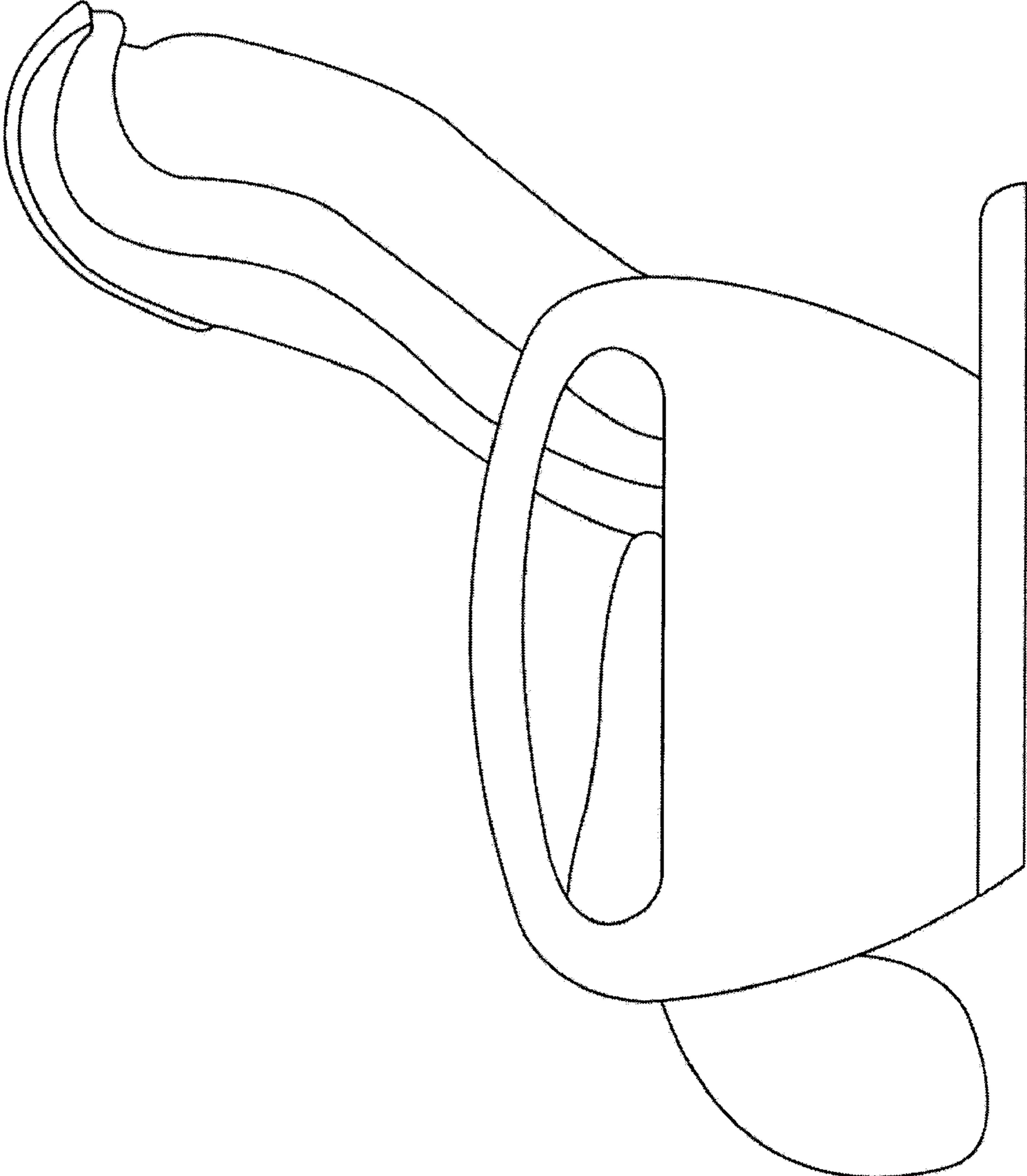


FIG. 5

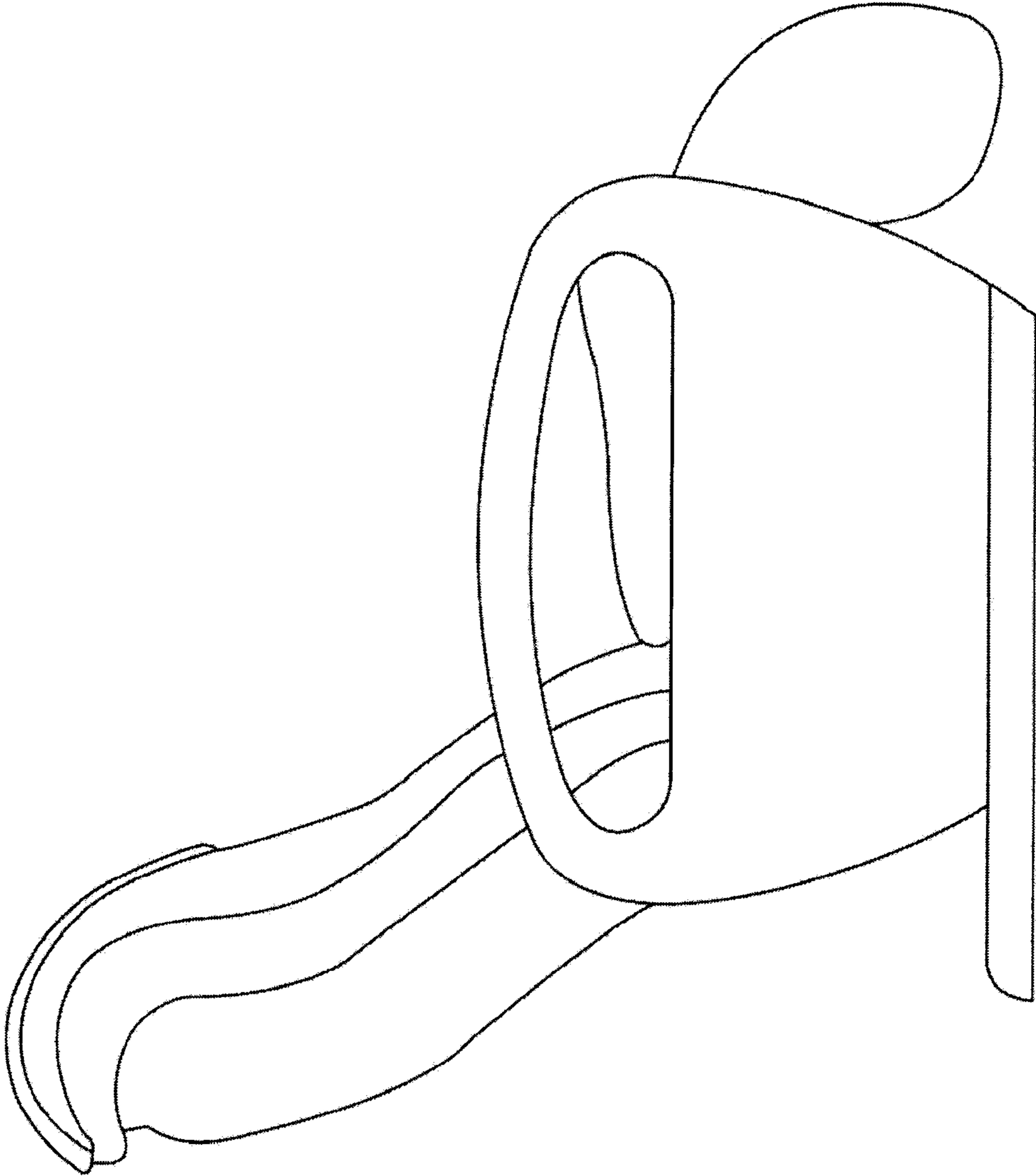


FIG. 6

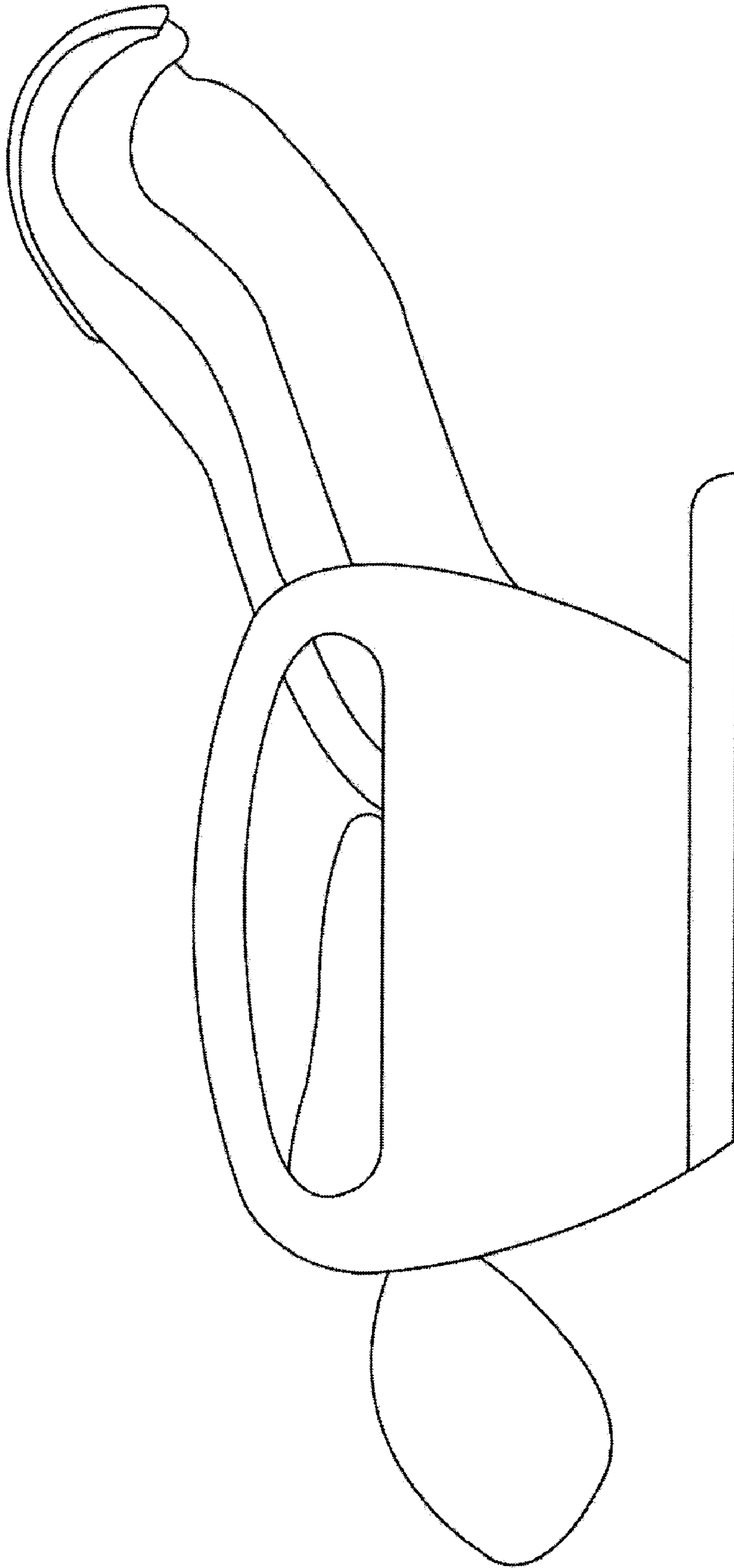


FIG. 7

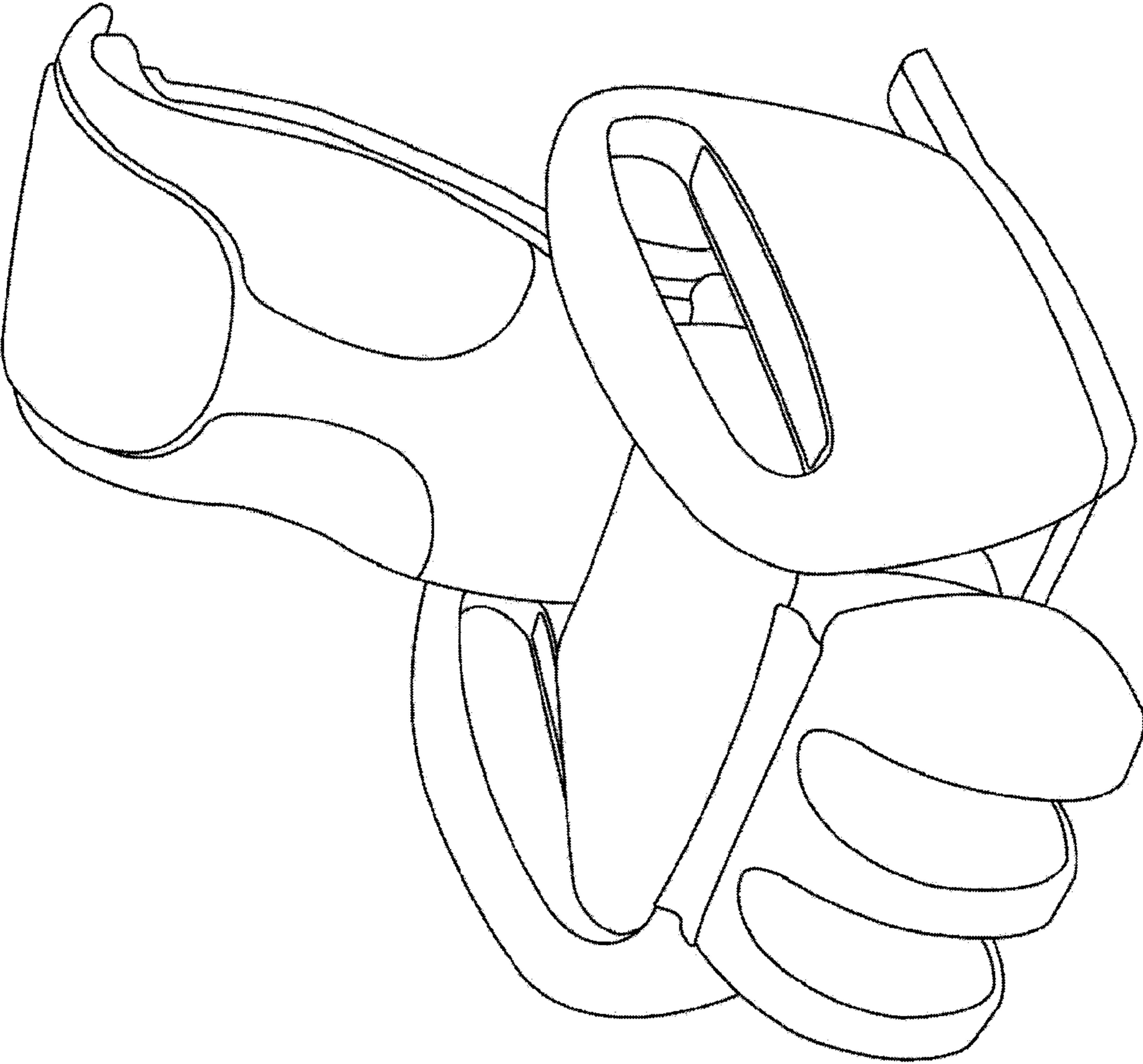


FIG. 8

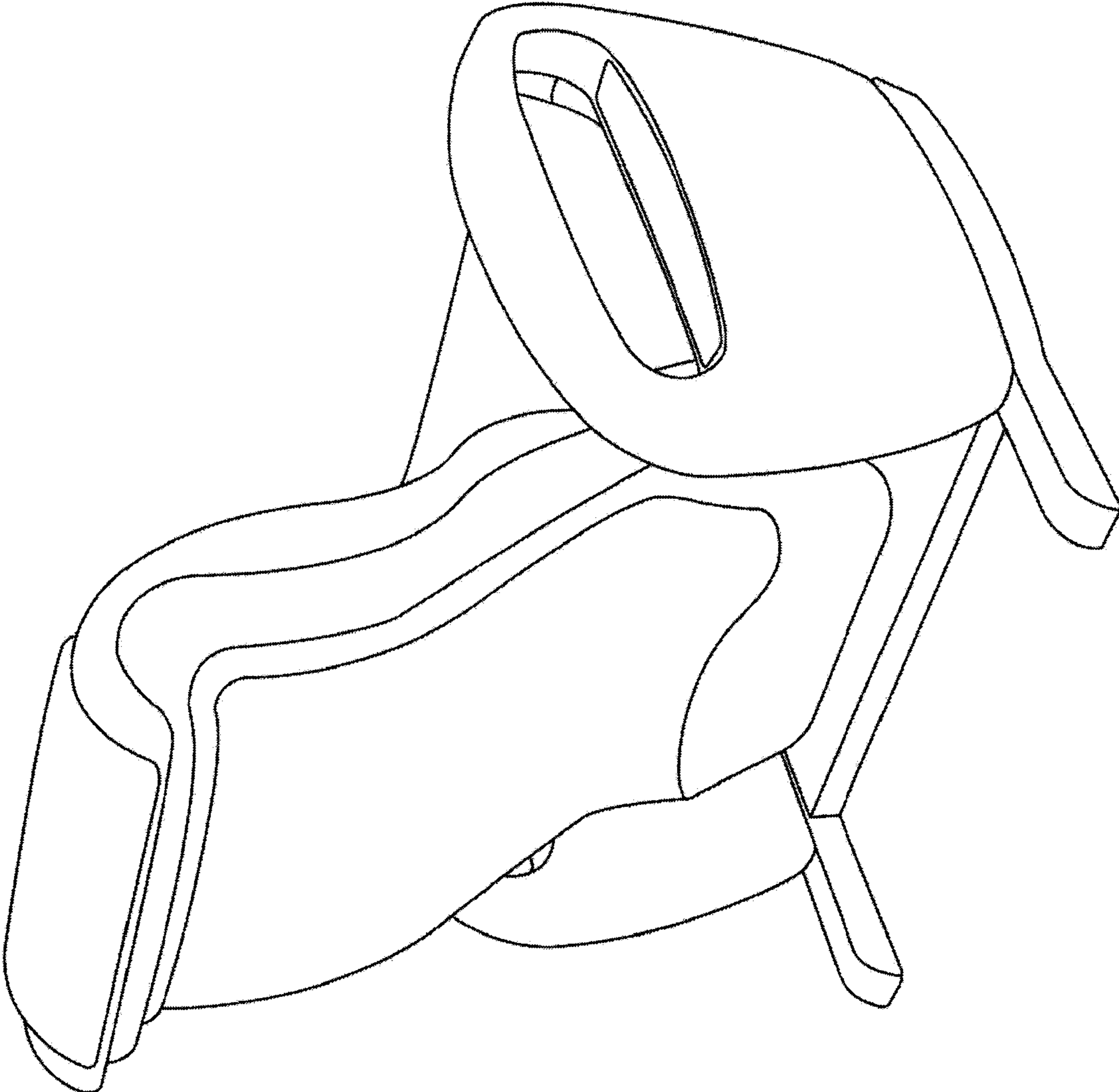


FIG. 9

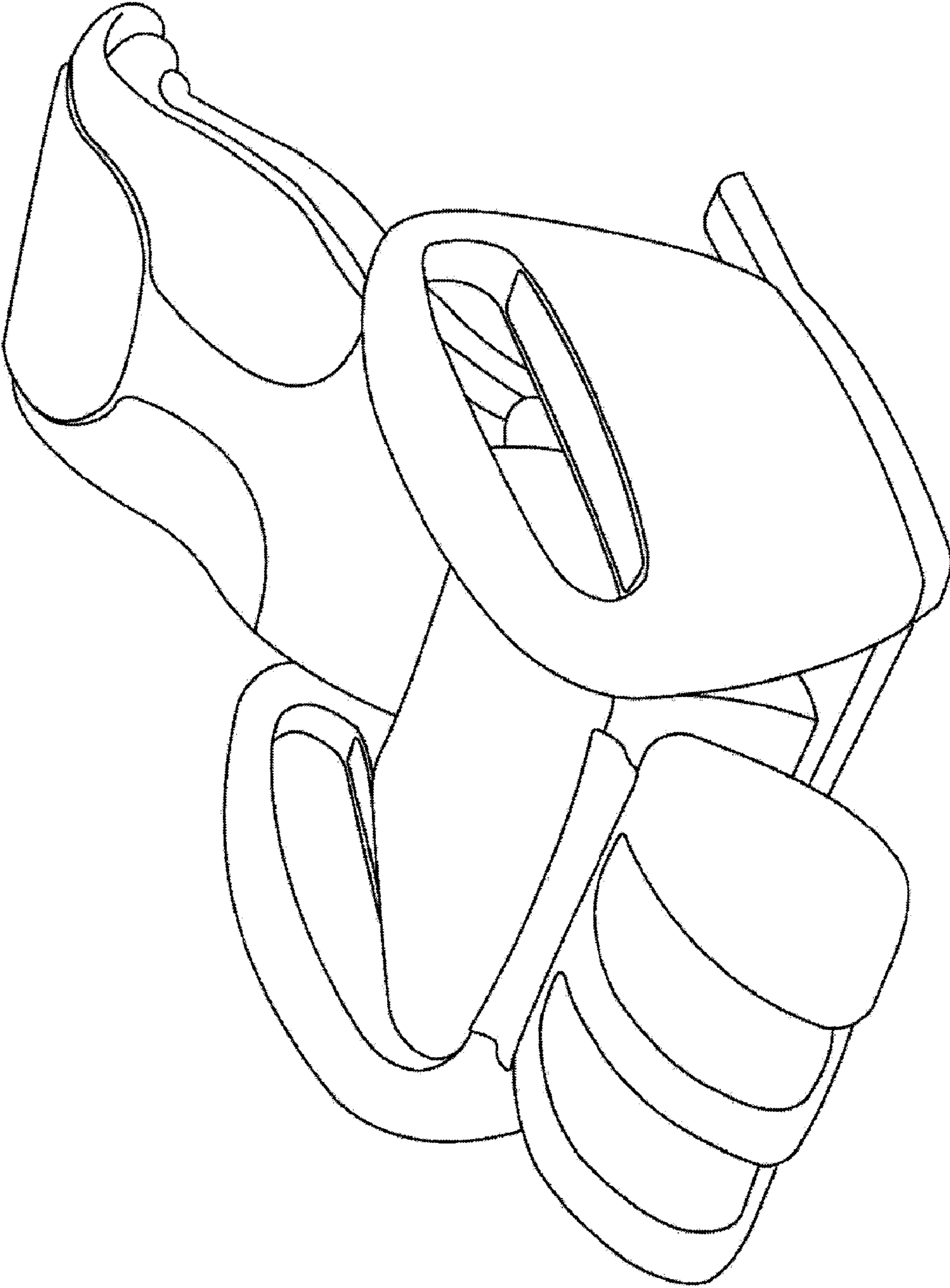


FIG. 10