

US00D544213S

(12) **United States Design Patent**
Dow et al.

(10) **Patent No.:** **US D544,213 S**
(45) **Date of Patent:** **** Jun. 12, 2007**

(54) **BARBECUE GRILL BRUSH**

(75) Inventors: **Shannon Dow**, Berkeley, CA (US);
Sharon Ellen Kallenberger, Alameda,
CA (US)

(73) Assignee: **Charcoal Companion, Incorporated**,
Emeryville, CA (US)

(**) Term: **14 Years**

(21) Appl. No.: **29/241,632**

(22) Filed: **Oct. 27, 2005**

(51) **LOC (8) Cl.** **04-01**

(52) **U.S. Cl.** **D4/119; D4/129; D32/52**

(58) **Field of Classification Search** D4/119,
D4/129, 137, 138, 199; D32/40, 52; D8/90;
15/143.1, 118, 209.1, 210.1, 229.11, 229.12,
15/229.13

See application file for complete search history.

(56) **References Cited**

U.S. PATENT DOCUMENTS

1,395,652	A	11/1921	Motter	
1,620,903	A	3/1927	Lance	
1,653,652	A	12/1927	Melniker	
D74,189	S *	1/1928	Robbins D32/52
1,820,183	A	8/1931	Darling	
1,887,294	A	11/1932	Field et al.	
1,899,552	A	2/1933	Bookman	
1,905,307	A	4/1933	Schulhoff	
2,124,429	A	7/1938	O'Brien	
2,496,371	A	2/1950	Baker	
2,514,481	A	7/1950	Ellinger	
2,620,501	A	12/1952	Bailey	
2,629,890	A	3/1953	Di Giovanna	
2,778,049	A	1/1957	Meyer	
2,799,038	A	7/1957	McCall	
2,888,699	A	6/1959	Bubar	
3,015,118	A	1/1962	Strader	
3,090,064	A	5/1963	Garrett	
3,473,184	A	10/1969	Buck, Jr.	

4,071,983	A	2/1978	Thielen	
4,232,420	A	11/1980	Schuster et al.	
4,244,075	A	1/1981	Silver	
4,543,680	A *	10/1985	Vlahos 15/209.1 X
D358,491	S	5/1995	Hoagland	

(Continued)

OTHER PUBLICATIONS

Charcoal Companion, Product Catalog, 1992, selected pages.
Charcoal Companion, Product Catalog, 1993, selected pages.
Charcoal Companion, Product Catalog, 2002, selected pages.
Charcoal Companion, Product Catalog, 2003, selected pages.
Charcoal Companion, Product Catalog, 2004, selected pages.

Primary Examiner—Alan P. Douglas

Assistant Examiner—Lavone D. Tabor

(74) *Attorney, Agent, or Firm*—Donald L. Beeson; Beeson
Skinner Beverly

(57) **CLAIM**

The ornamental design for a barbecue grill brush, as shown
and described.

DESCRIPTION

FIG. 1 is a top perspective view of a barbecue grill brush
showing our new design;

FIG. 2 is a bottom perspective view thereof;

FIG. 3 is a left side elevational view thereof, the right side
being a mirror image;

FIG. 4 is a rear elevational view thereof;

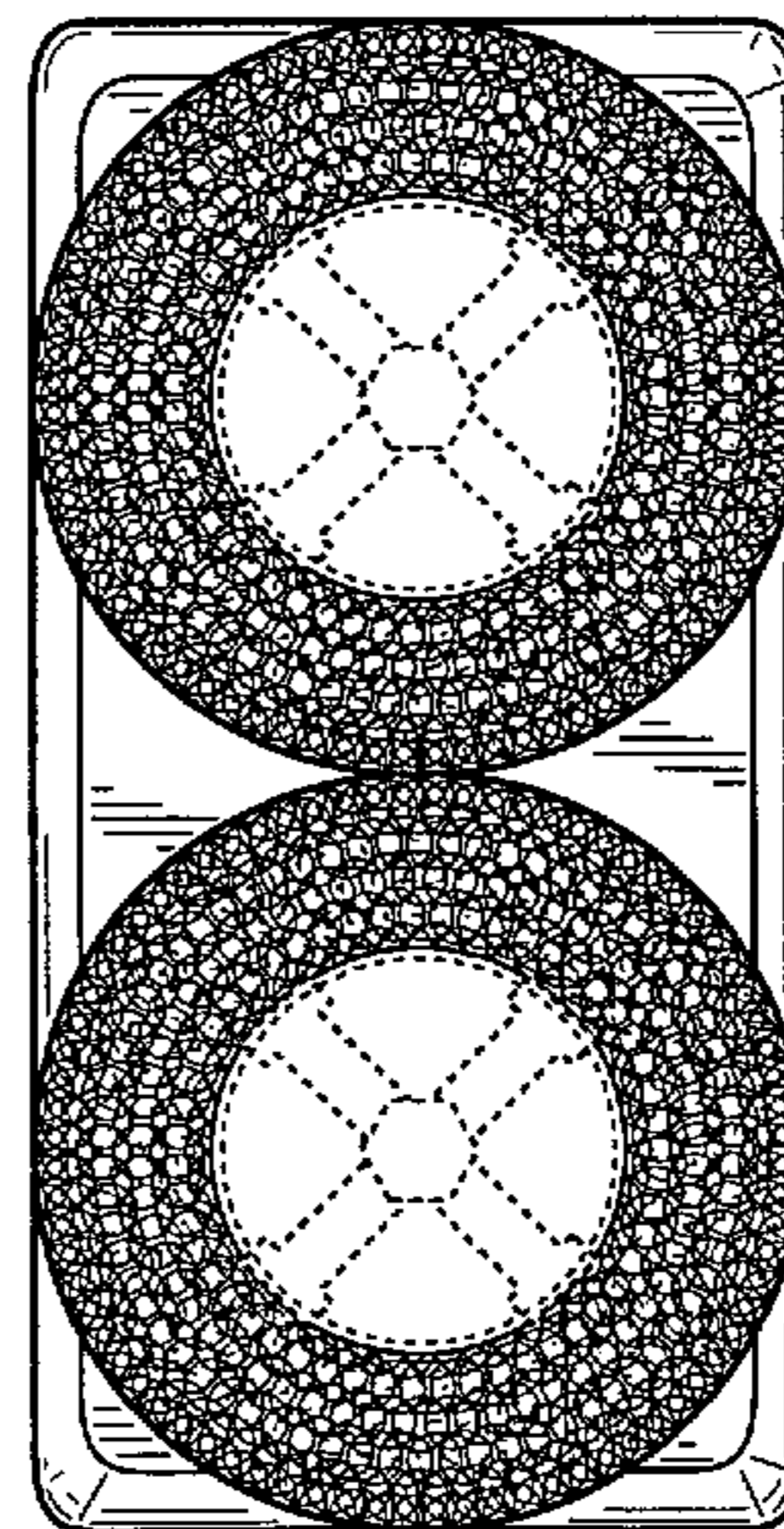
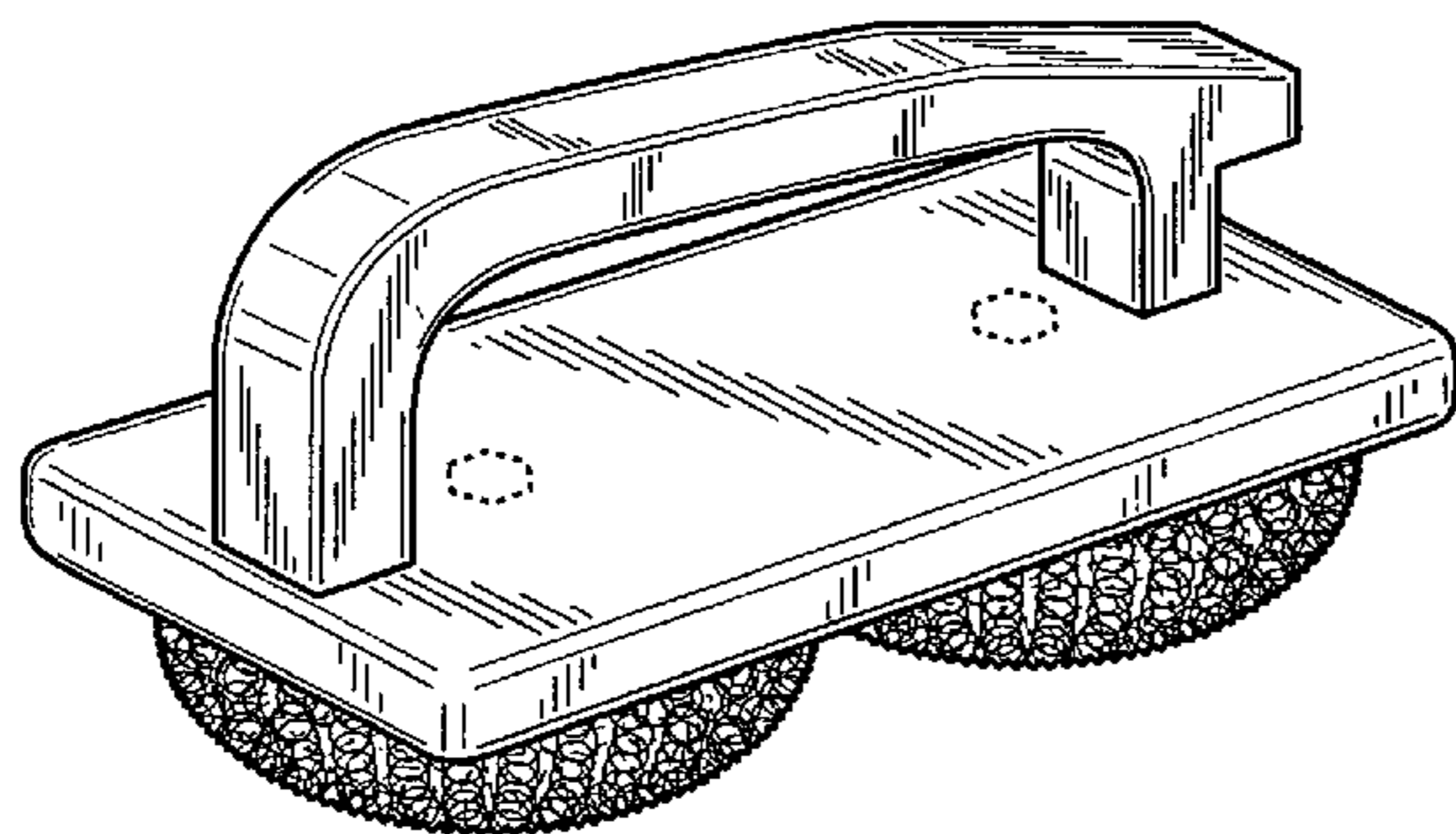
FIG. 5 is a front elevational view thereof;

FIG. 6 is a top plan view thereof; and,

FIG. 7 is a bottom plan view thereof.

The broken line circles immediately inside the grill brush
pads in FIG. 7 represent the bounds of the claimed design,
while all other broken lines are for illustrative purposes
only; the broken lines form no part of the claimed design.

1 Claim, 3 Drawing Sheets



US D544,213 S

Page 2

U.S. PATENT DOCUMENTS

D378,959 S 4/1997 Gringer
D411,368 S 6/1999 Liu
D417,324 S 11/1999 Farls
6,023,810 A 2/2000 Gessert

D422,792 S 4/2000 Liu
D429,889 S 8/2000 Fielding
D439,414 S * 3/2001 Birdwell D4/119
D456,614 S 5/2002 Zemel

* cited by examiner

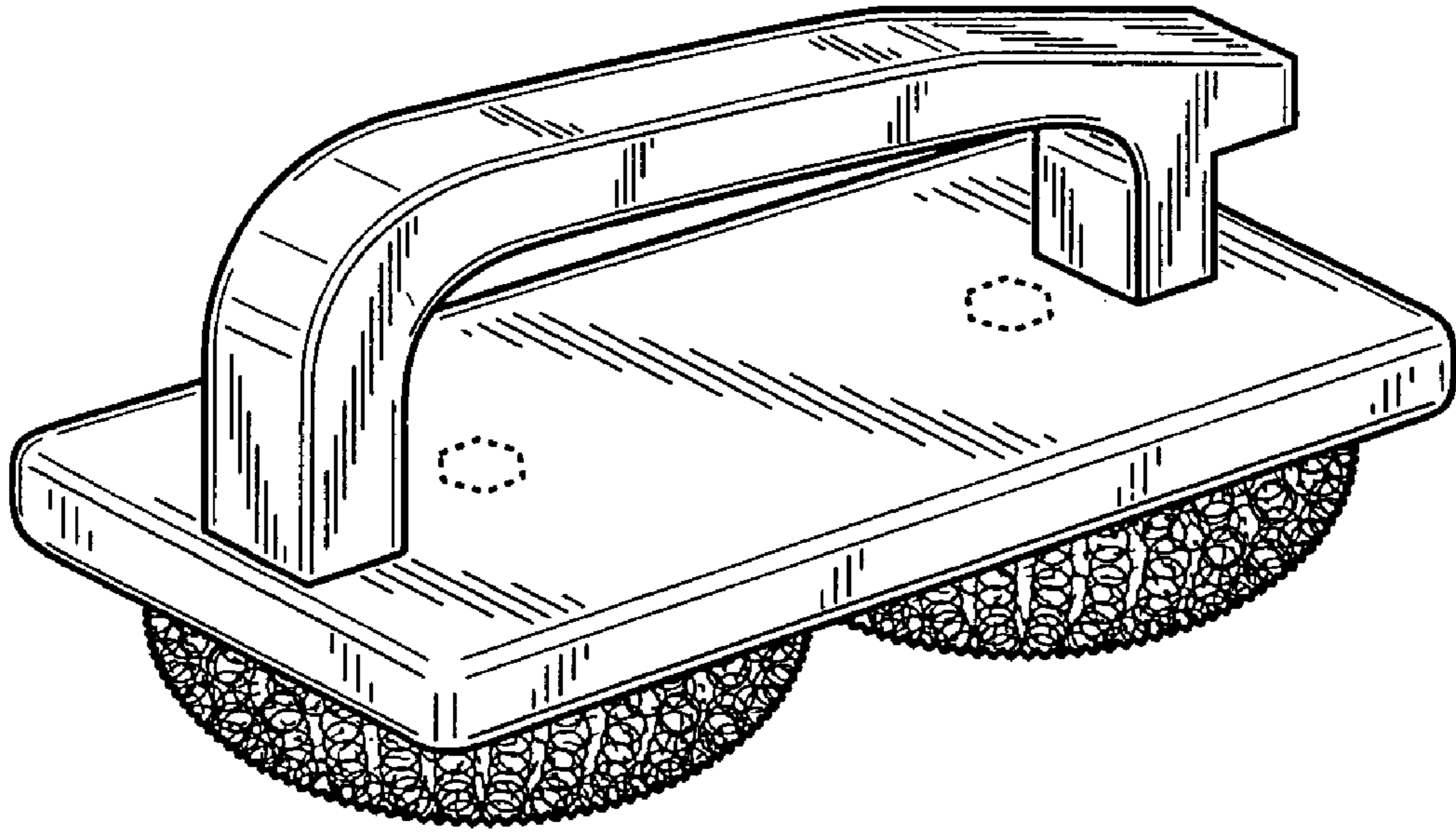


FIG. 1

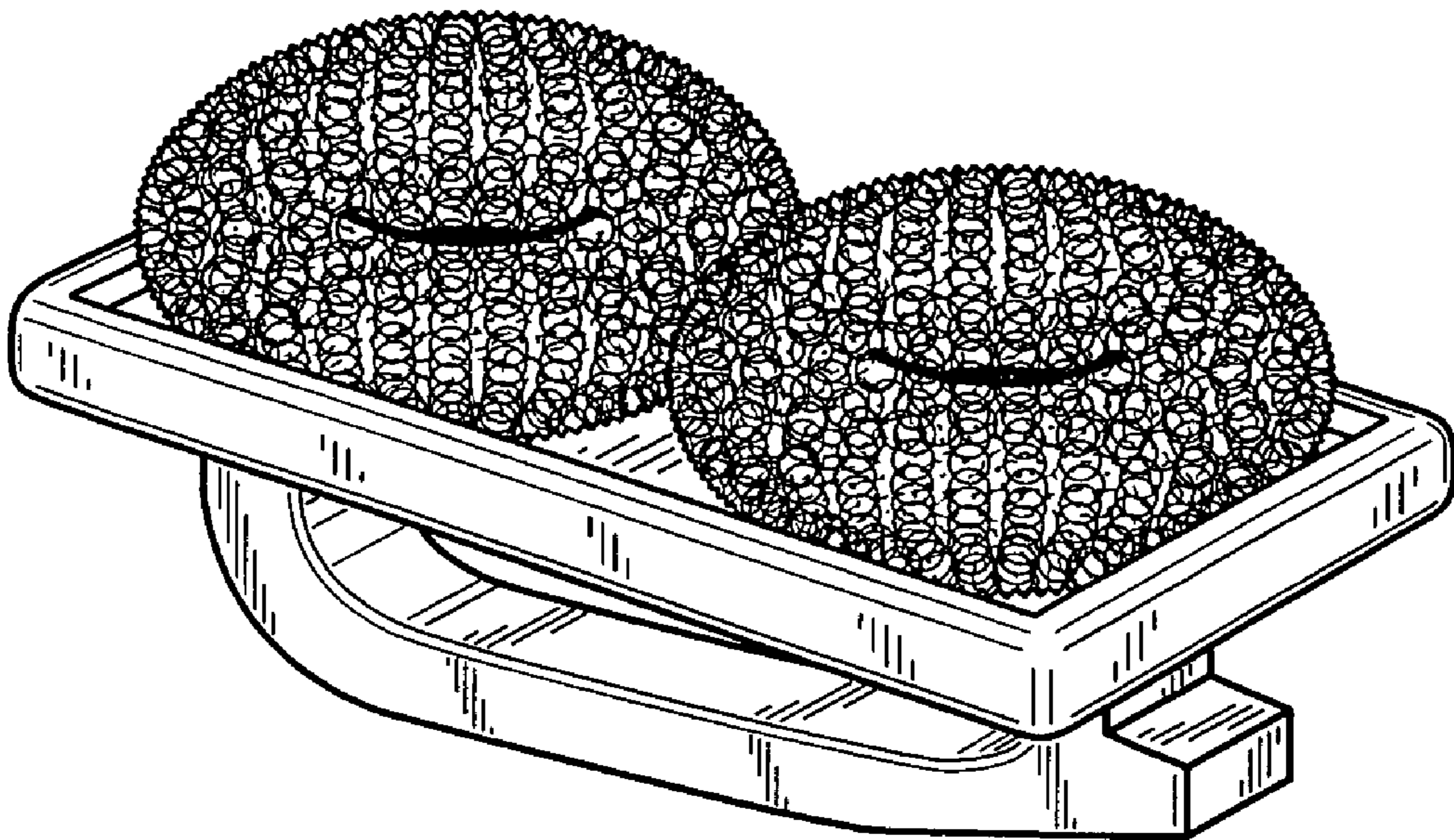


FIG. 2

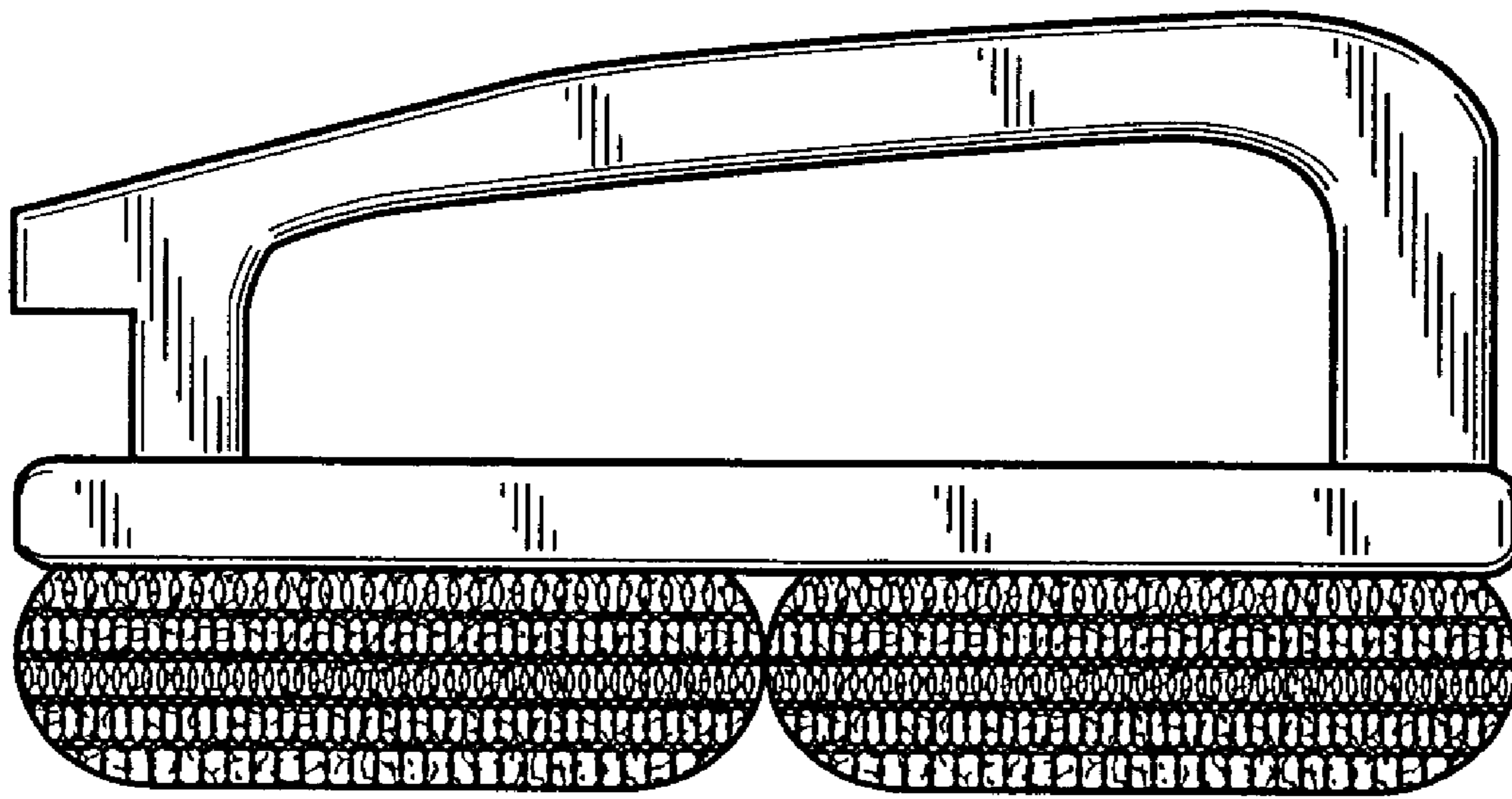


FIG. 3

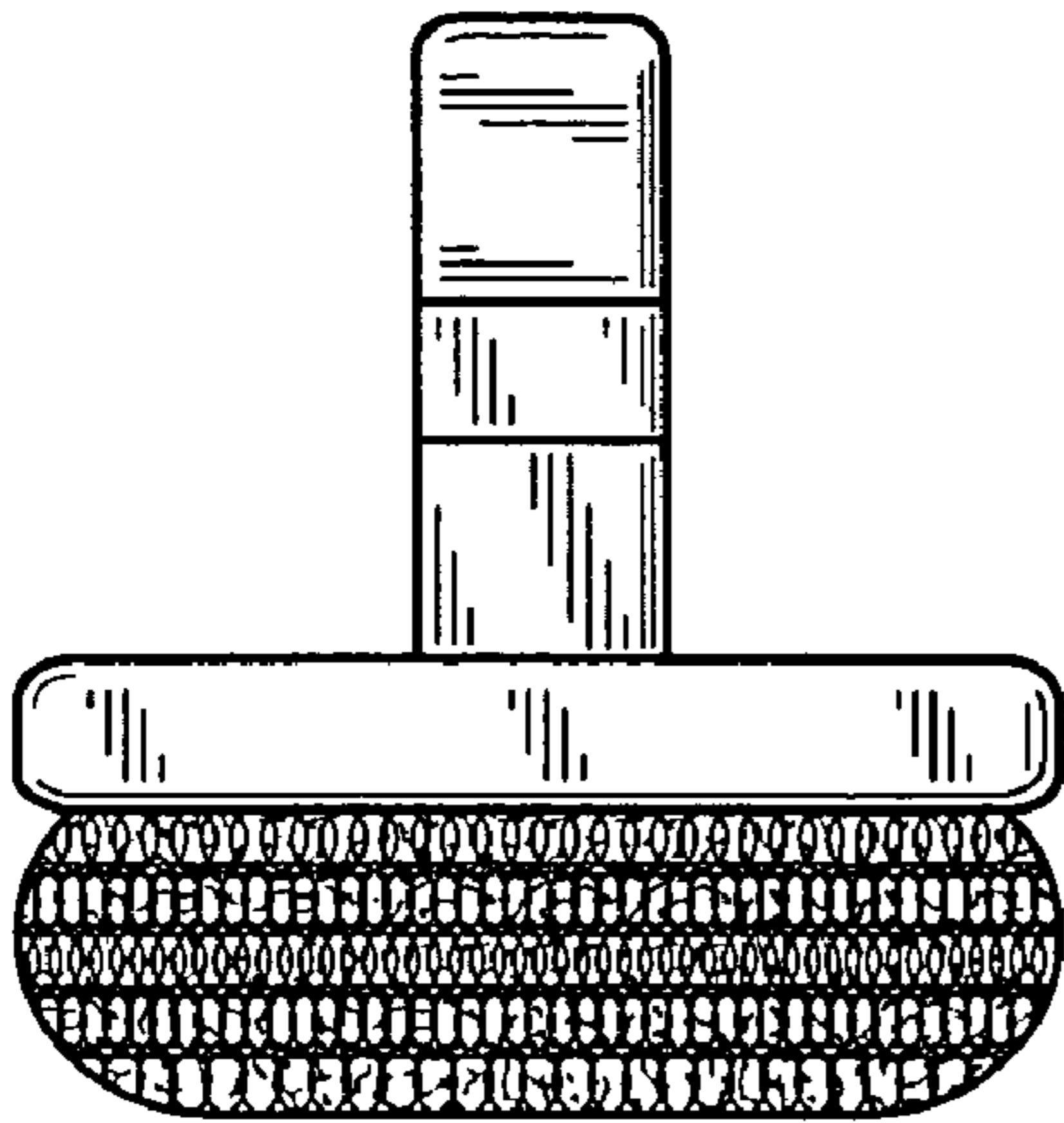


FIG. 4

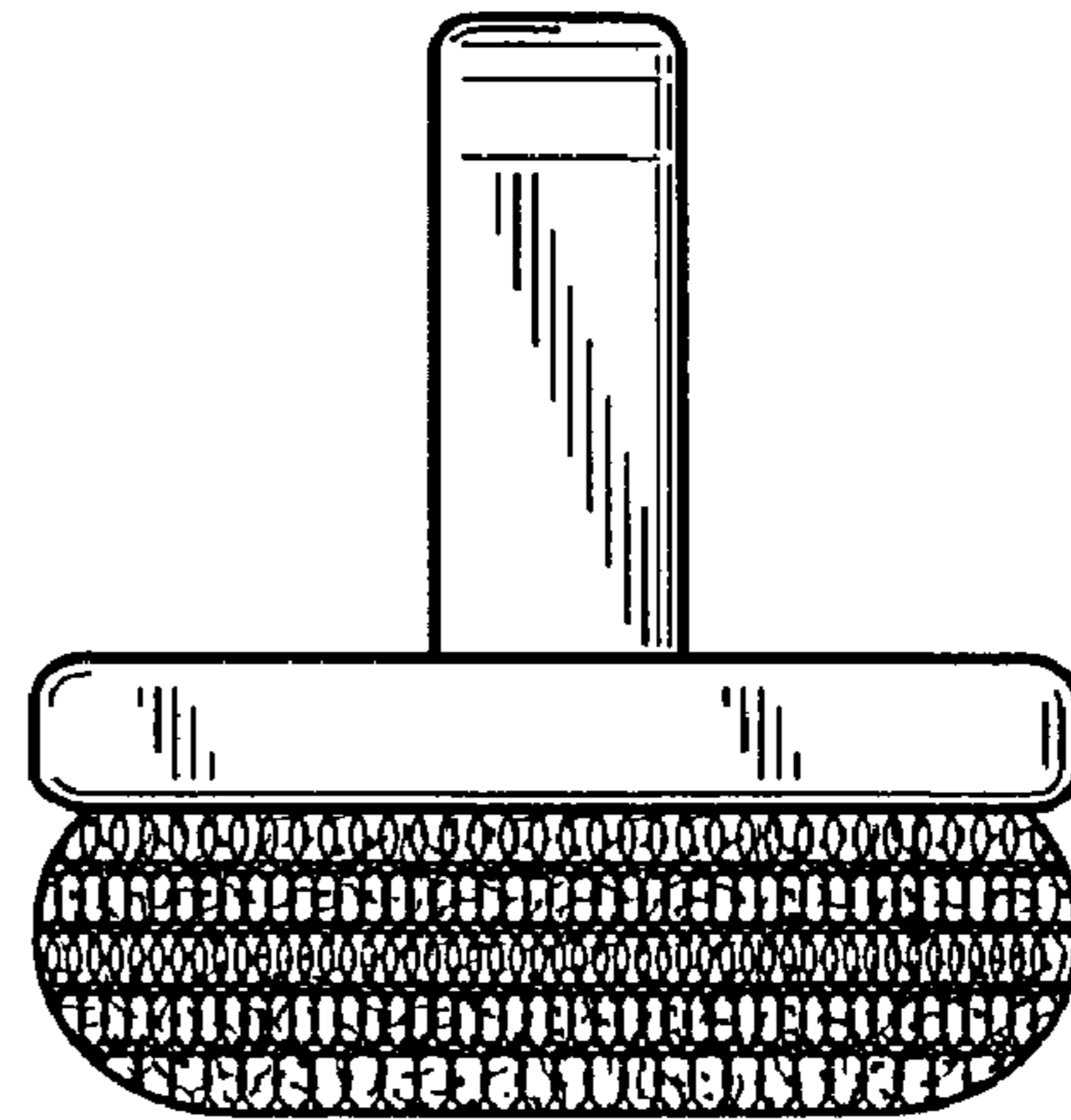


FIG. 5

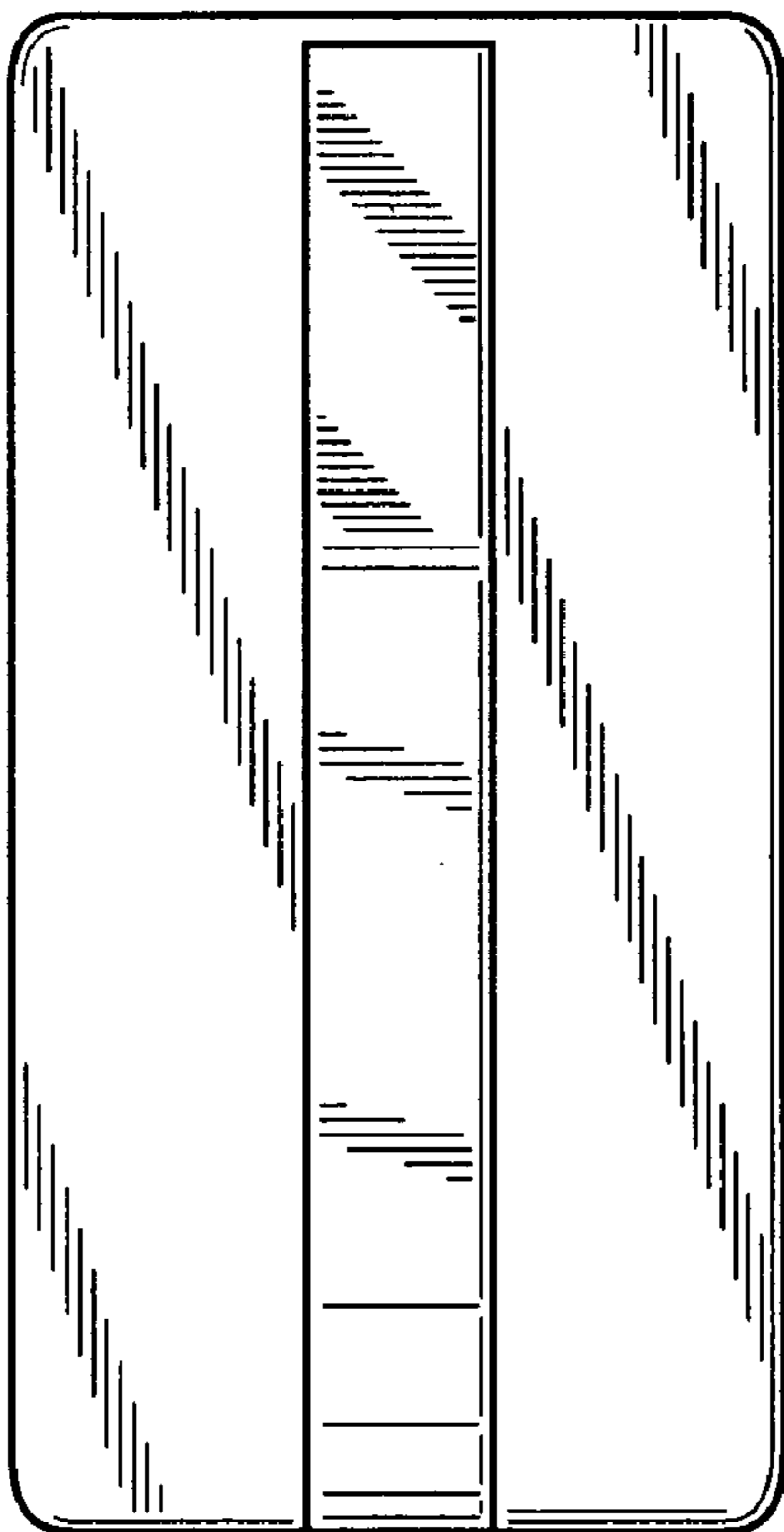


FIG. 6

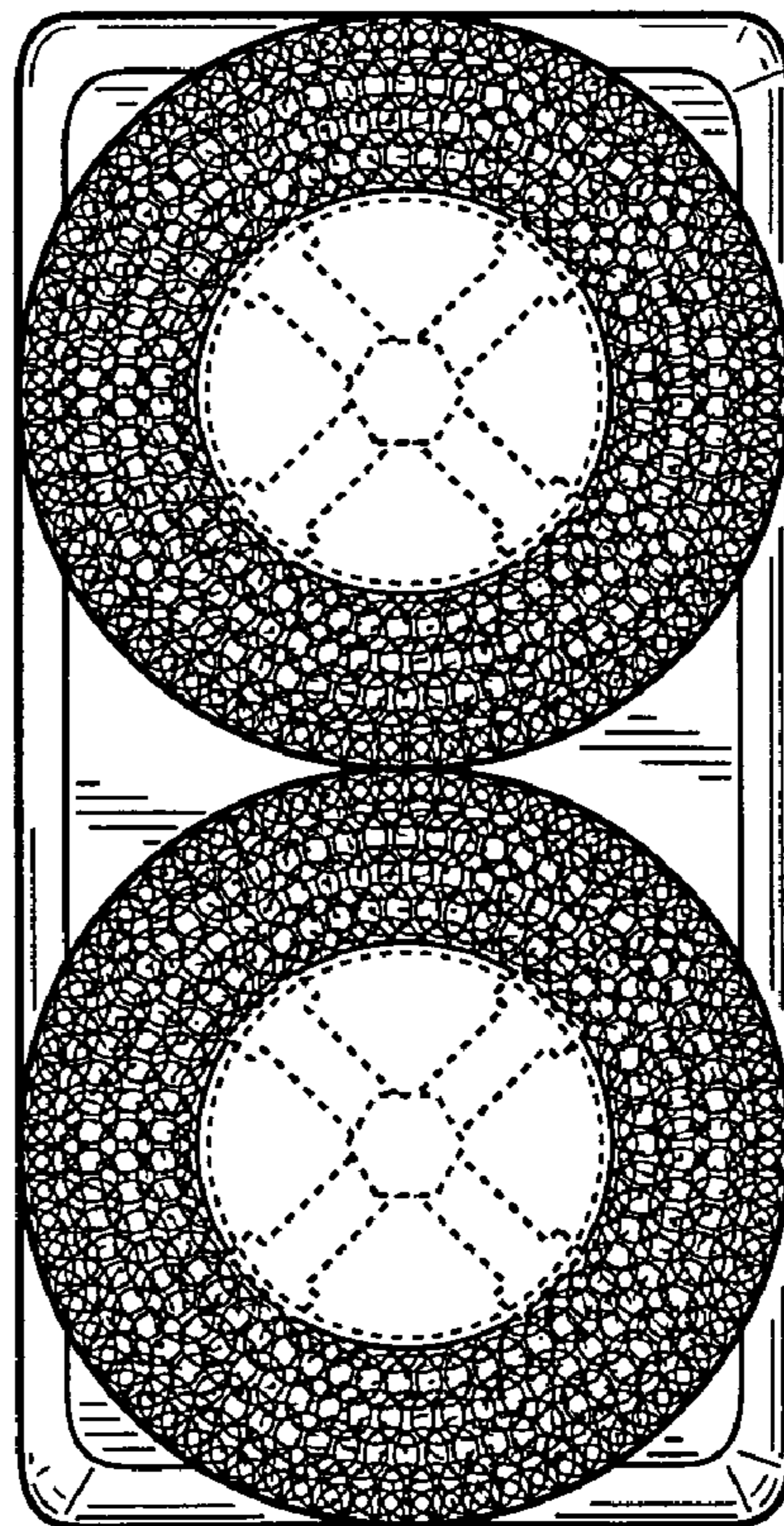


FIG. 7