



US00D544212S

(12) **United States Design Patent**
Hsieh

(10) **Patent No.:** **US D544,212 S**

(45) **Date of Patent:** **** Jun. 12, 2007**

(54) **COSMETIC APPLICATOR BRUSH-PEN**

Primary Examiner—Alan P. Douglas
Assistant Examiner—Lavone D. Tabor

(75) Inventor: **Chun-Hsiung Hsieh**, Taipei (TW)

(73) Assignee: **Ausley International Co., Ltd.**, Taipei (TW)

(57) **CLAIM**

(**) Term: **14 Years**

The ornamental design for a cosmetic applicator brush-pen, as shown and described.

(21) Appl. No.: **29/262,799**

(22) Filed: **Jul. 12, 2006**

DESCRIPTION

(51) **LOC (8) Cl.** **04-02**

(52) **U.S. Cl.** **D4/114; D4/119; D4/136**

(58) **Field of Classification Search** D4/103,
D4/114, 119, 132, 136; D28/7, 76, 77; 15/110,
15/188; 132/290, 317, 320; 401/7, 28, 183,
401/184, 268, 271, 274, 275, 286, 287, 290,
401/291; 601/135, 137, 139

See application file for complete search history.

FIG. 1 is a perspective view of a cosmetic applicator brush-pen showing my new design;

FIG. 2 is a front elevation view thereof;

FIG. 3 is a rear elevation view thereof;

FIG. 4 is a left side elevation view thereof;

FIG. 5 is a right side elevation view thereof;

FIG. 6 is a top view thereof;

FIG. 7 is a bottom view thereof;

FIG. 8 is an enlarged reference view of brush; and,

FIG. 9 is an enlarged reference view of perspective view.

The broken lines in the drawings are for illustrative purposes only and do not form part of the claimed design.

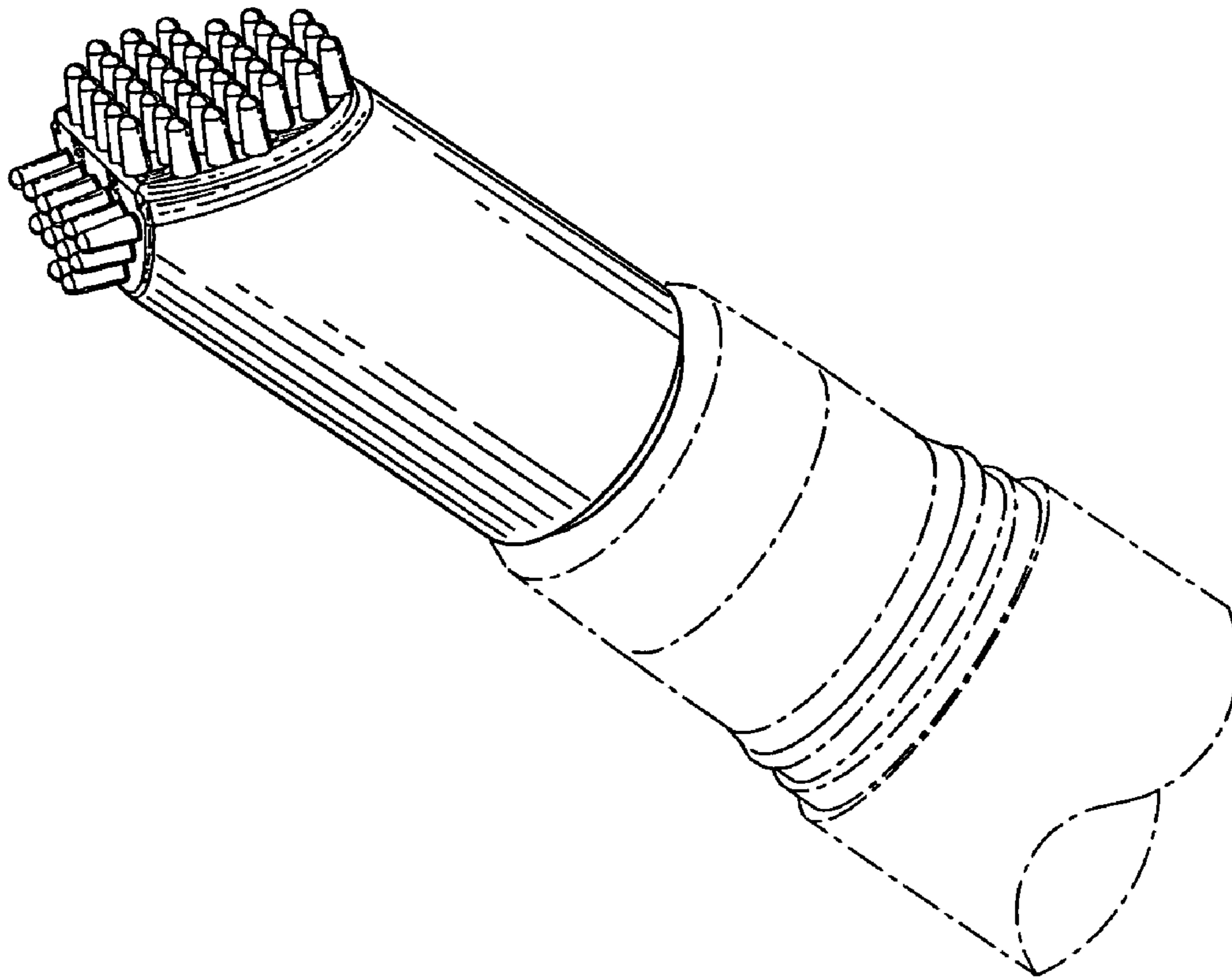
(56) **References Cited**

U.S. PATENT DOCUMENTS

2,584,735	A *	2/1952	Pancoast	401/26
4,533,273	A *	8/1985	Obata et al.	401/190
6,688,317	B2 *	2/2004	Gueret	132/320
D503,539	S *	4/2005	Tani	D4/114

* cited by examiner

1 Claim, 5 Drawing Sheets



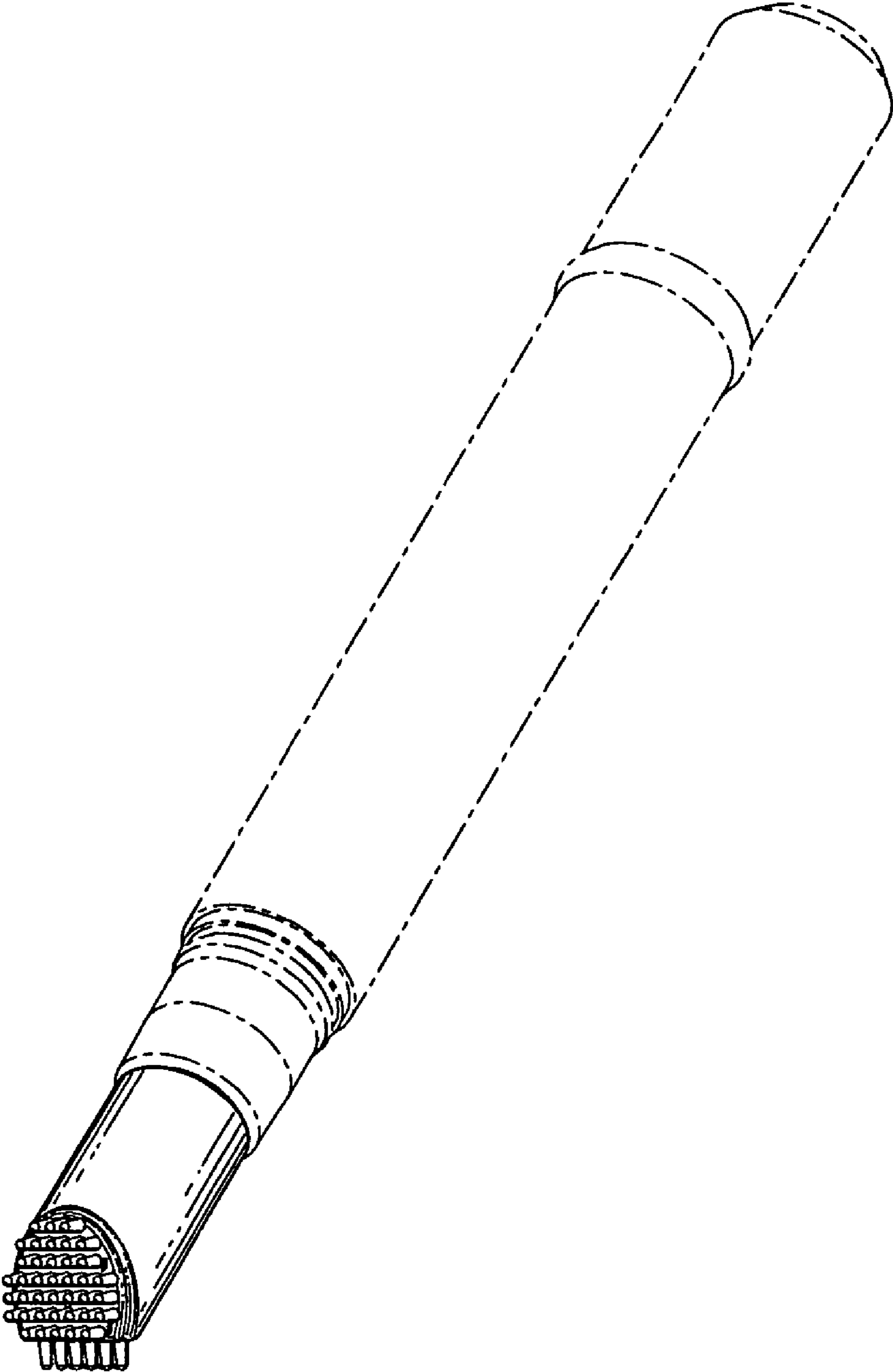


FIG. 1

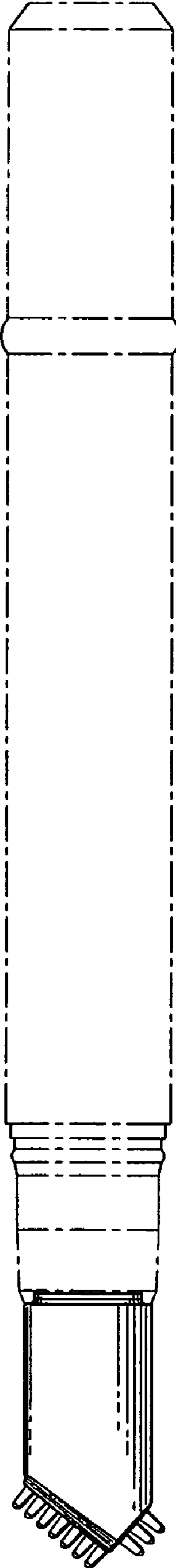


FIG. 2

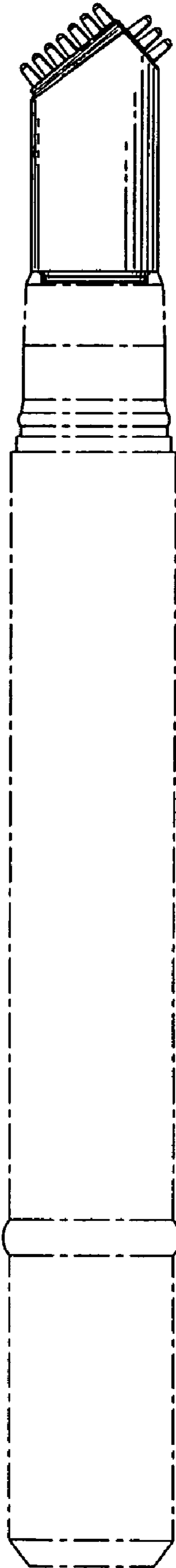


FIG. 3

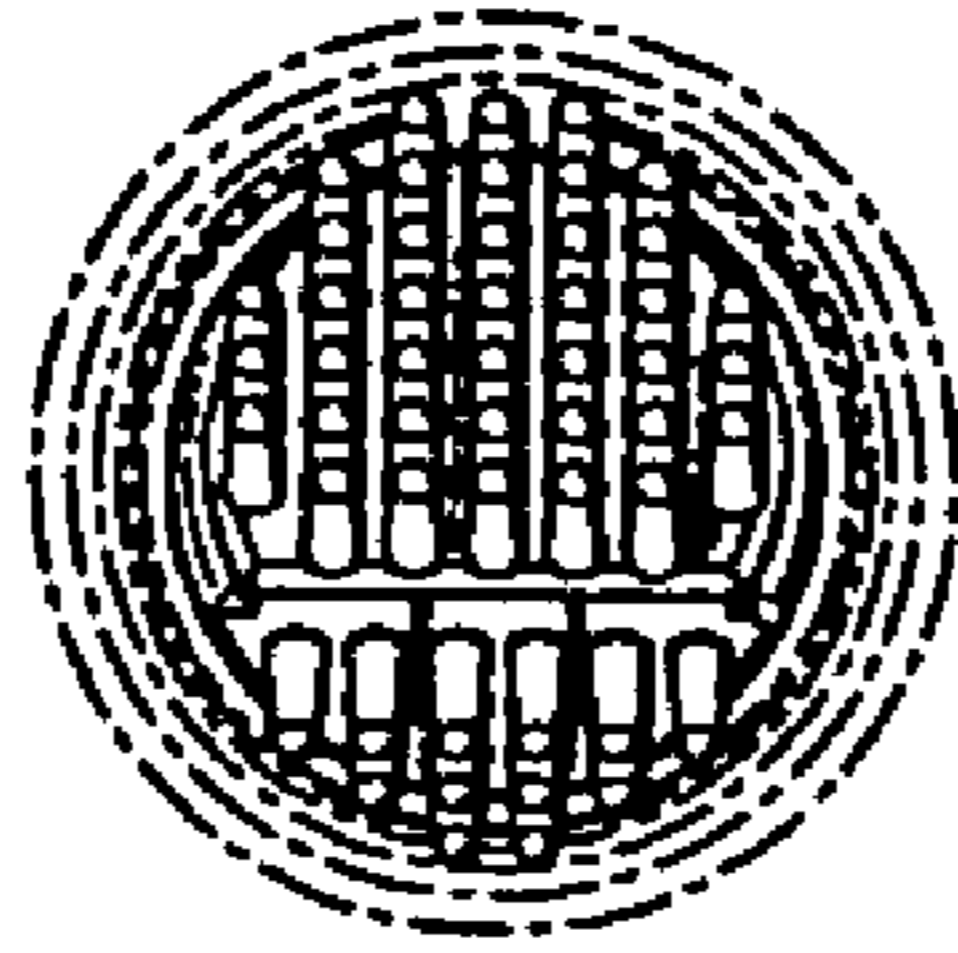


FIG. 4

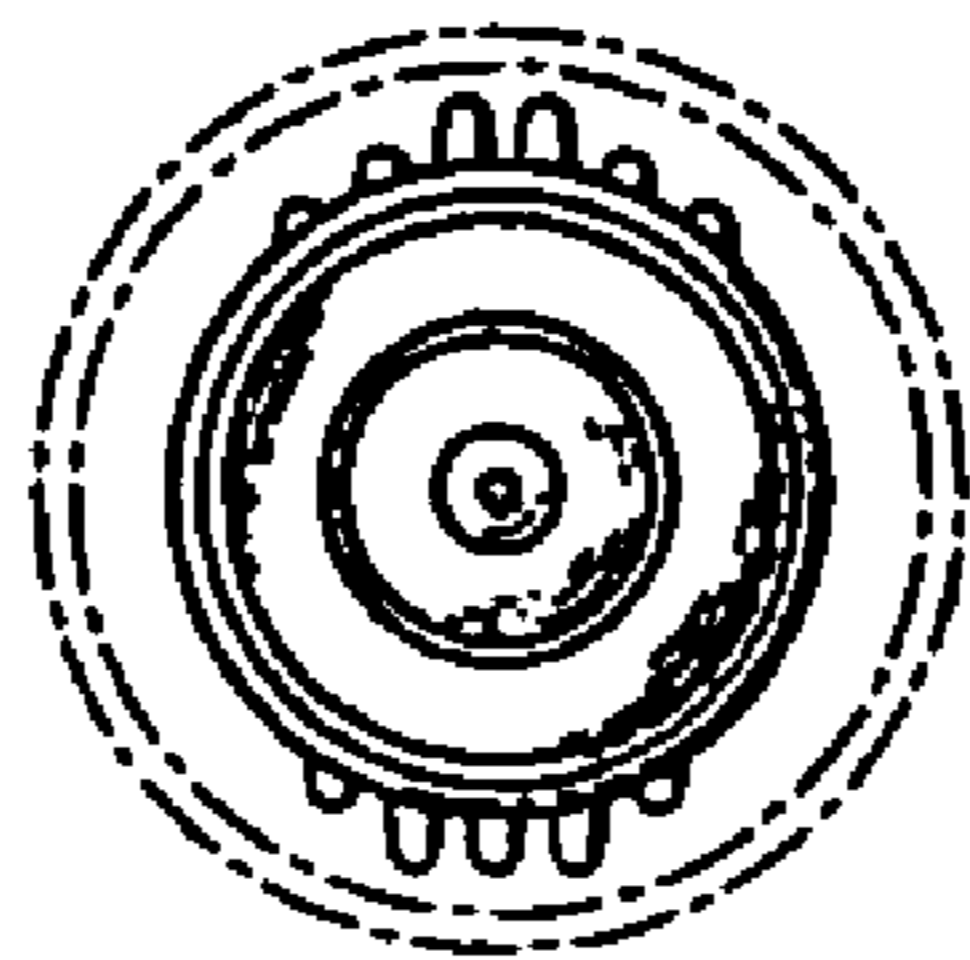


FIG. 5

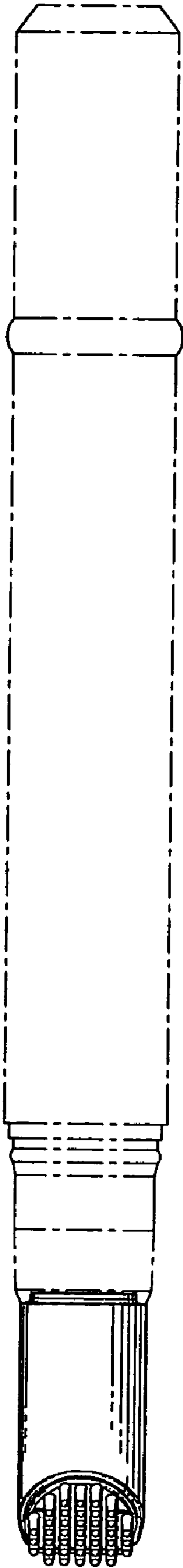


FIG. 6

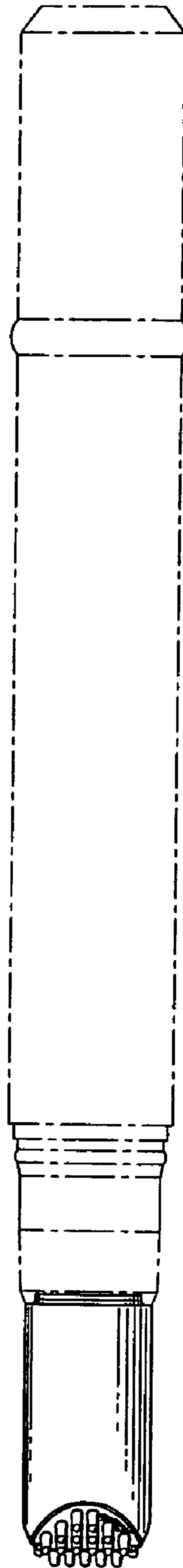


FIG. 7

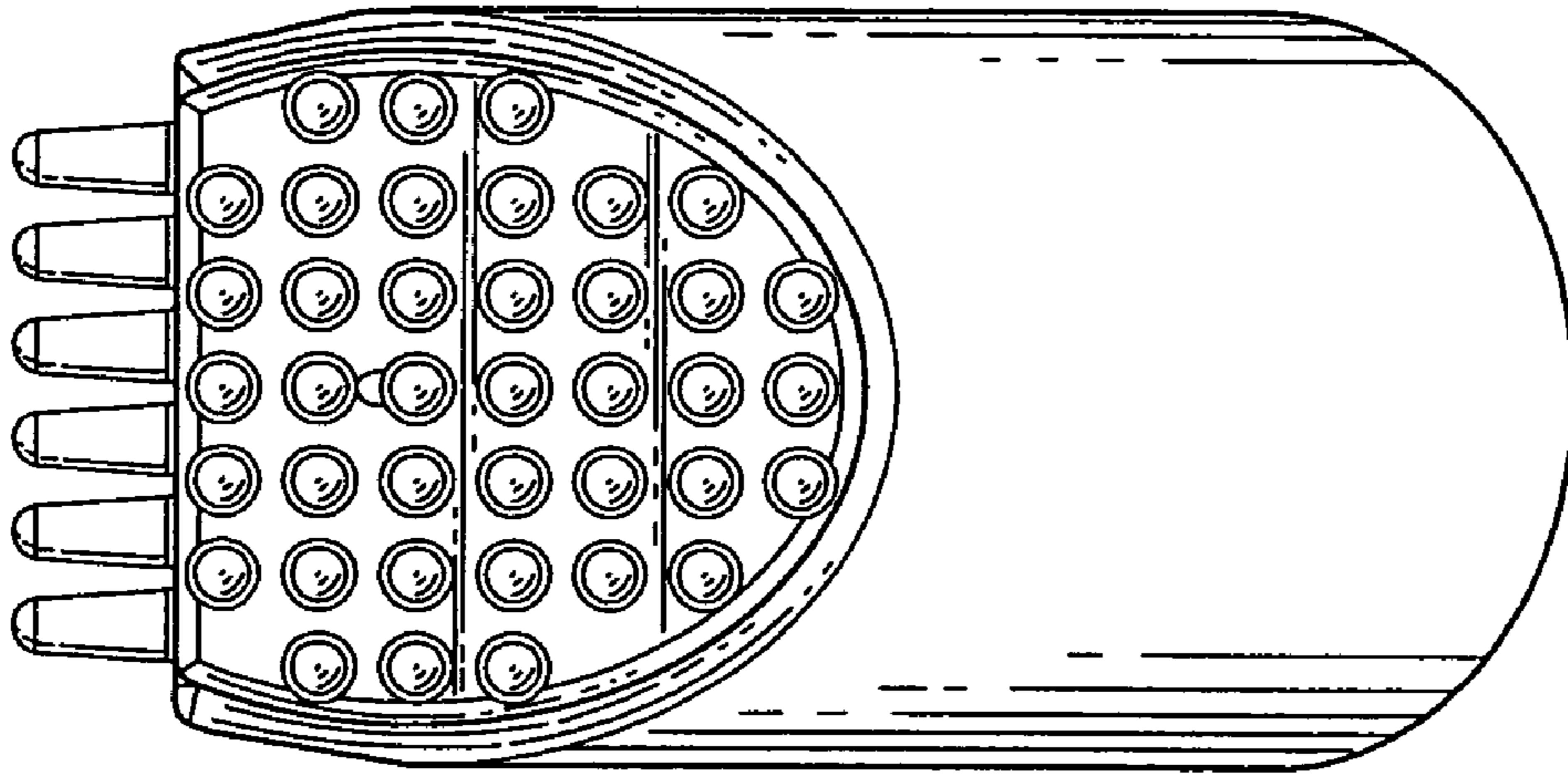


FIG. 8

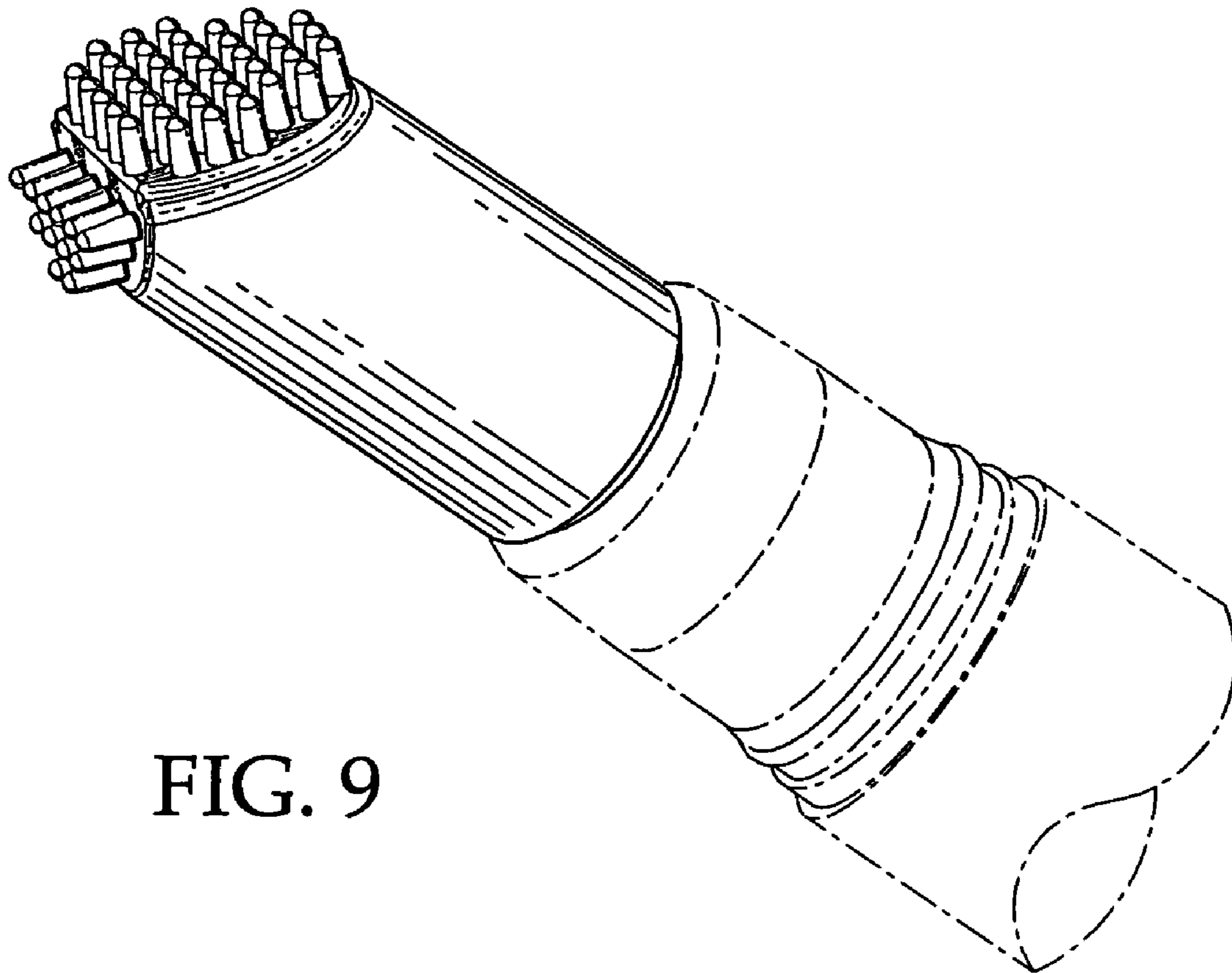


FIG. 9