



US00D544209S

(12) **United States Design Patent**  
**Sullivan**

(10) **Patent No.:** **US D544,209 S**  
(45) **Date of Patent:** **\*\* Jun. 12, 2007**

(54) **BOTTLE CARRIER**

(76) Inventor: **Peter Sullivan**, 77 Banks Road,  
Linthwaite, Huddersfield, HD7 5LP  
(GB)

(\*\*) Term: **14 Years**

(21) Appl. No.: **29/246,879**

(22) Filed: **May 18, 2006**

(51) **LOC (8) Cl.** ..... **03-01**

(52) **U.S. Cl.** ..... **D3/309**

(58) **Field of Classification Search** ..... D3/304,  
D3/307-314; D9/337, 341, 344, 346-348;  
206/162, 167, 169, 192, 203, 427, 428-429,  
206/549, 562; 220/4.24, 4.26, 94 R; 294/158;  
312/244

See application file for complete search history.

(56) **References Cited**

**U.S. PATENT DOCUMENTS**

D155,661 S *	10/1949	Wahlbom	.....	D3/309
D157,316 S *	2/1950	Acton	.....	D3/309
D159,595 S *	8/1950	Bowersox	.....	D3/309
2,568,436 A *	9/1951	Faria	.....	206/165
2,828,047 A *	3/1958	Weiselberg	.....	206/189
3,640,380 A *	2/1972	Huffman	.....	206/549
D330,513 S *	10/1992	Gilchrist	.....	D7/703
5,415,277 A *	5/1995	Berntsen	.....	206/144
D382,711 S *	8/1997	Wyman	.....	D3/309
6,089,366 A *	7/2000	Cheng	.....	206/192

2003/0213705 A1\* 11/2003 Woog ..... 206/162

**FOREIGN PATENT DOCUMENTS**

GB 3020774 A 3/2005

\* cited by examiner

*Primary Examiner*—Louis S. Zarfes

*Assistant Examiner*—Eric L. Goodman

(57) **CLAIM**

The ornamental design for a bottle carrier, as shown and described.

**DESCRIPTION**

FIG. 1 is an upper perspective view of a bottle carrier showing my new design.

FIG. 2 is a left side view of a bottle carrier showing my new design.

FIG. 3 is a right side view of a bottle carrier showing my new design.

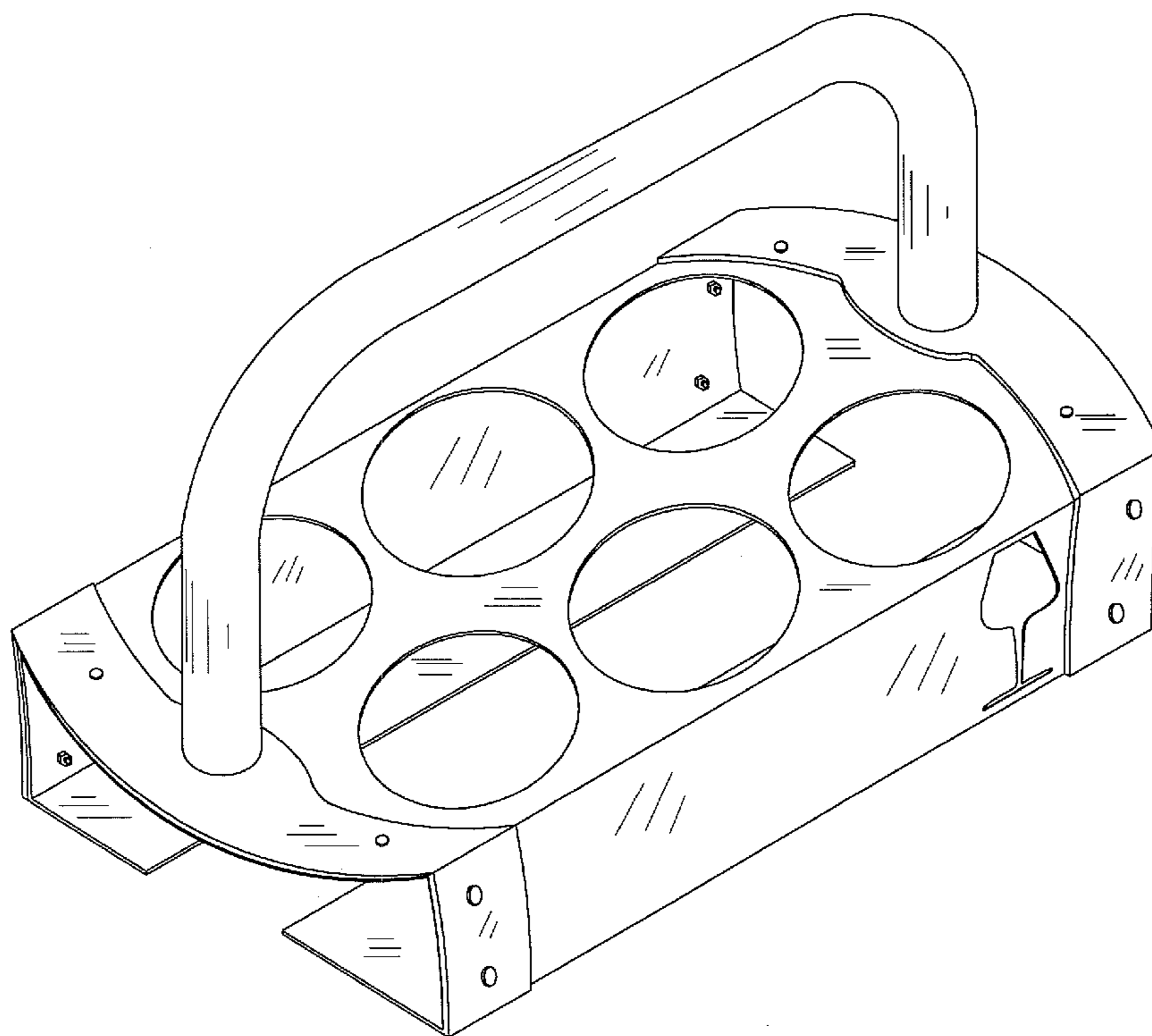
FIG. 4 is a front view of a bottle carrier showing my new design.

FIG. 5 is a rear view of a bottle carrier showing my new design.

FIG. 6 is a top view of a bottle carrier showing my new design; and,

FIG. 7 is a bottom view of a bottle carrier showing my new design.

**1 Claim, 7 Drawing Sheets**



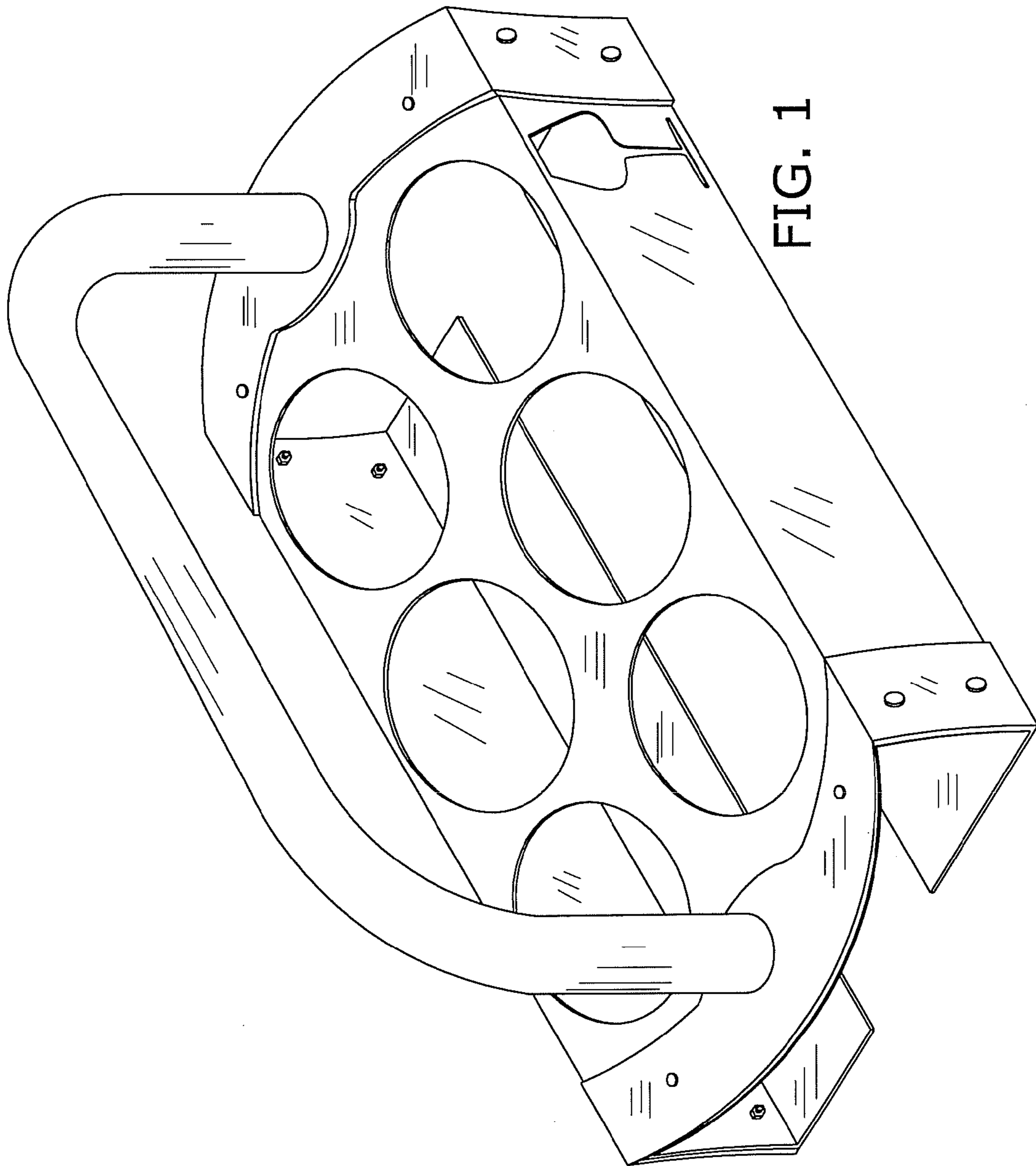


FIG. 1

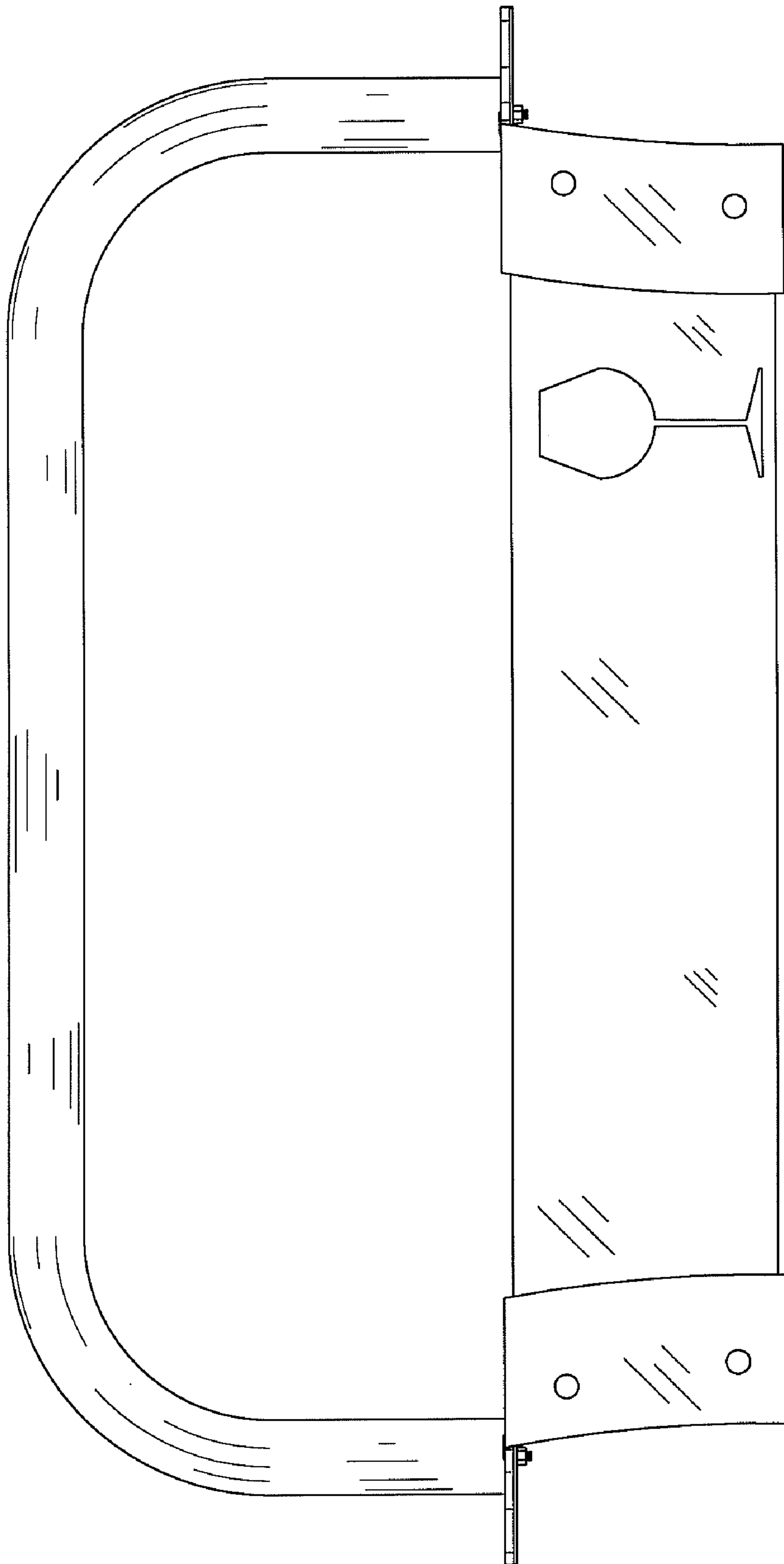


FIG. 2

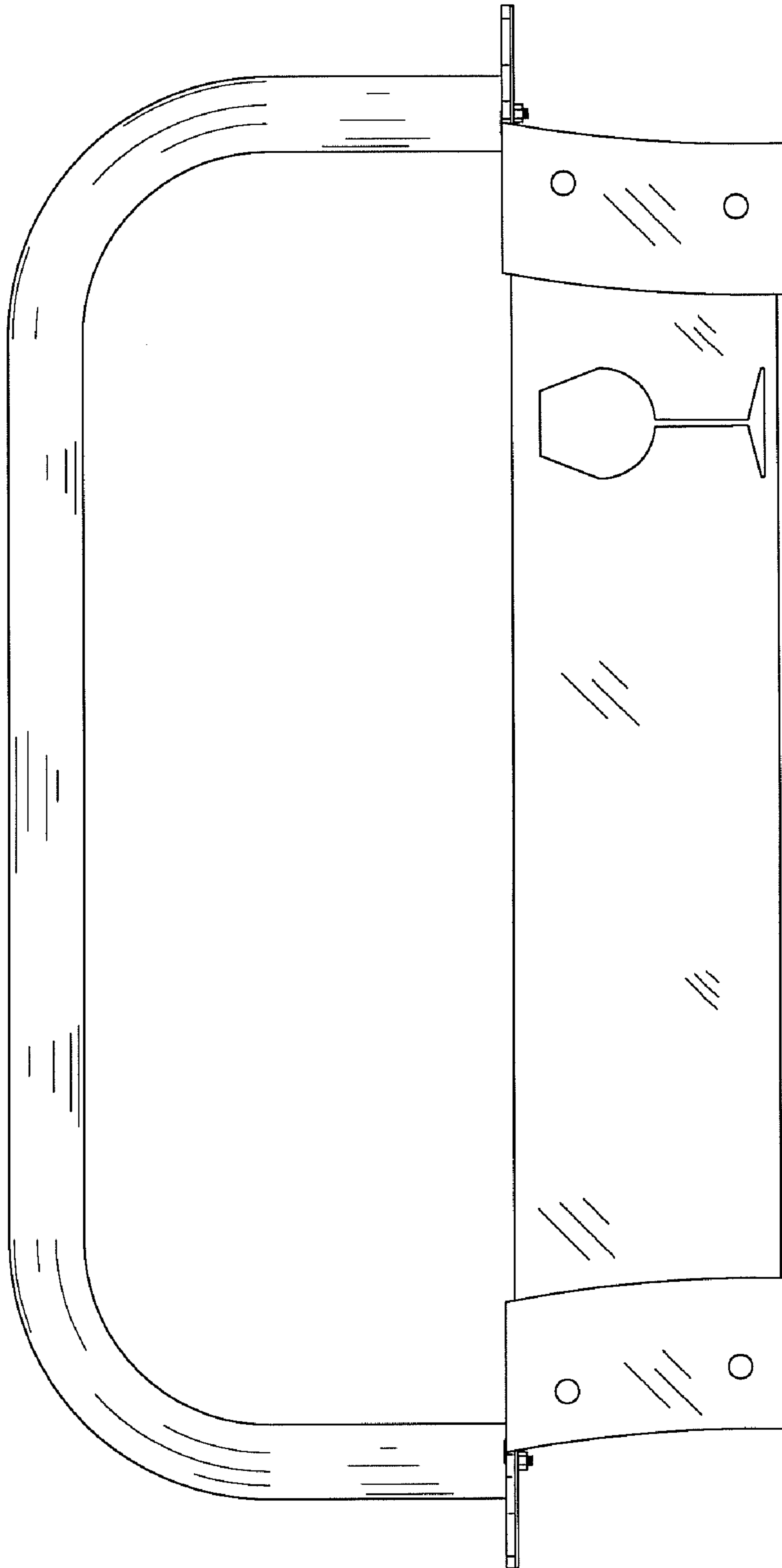


FIG. 3

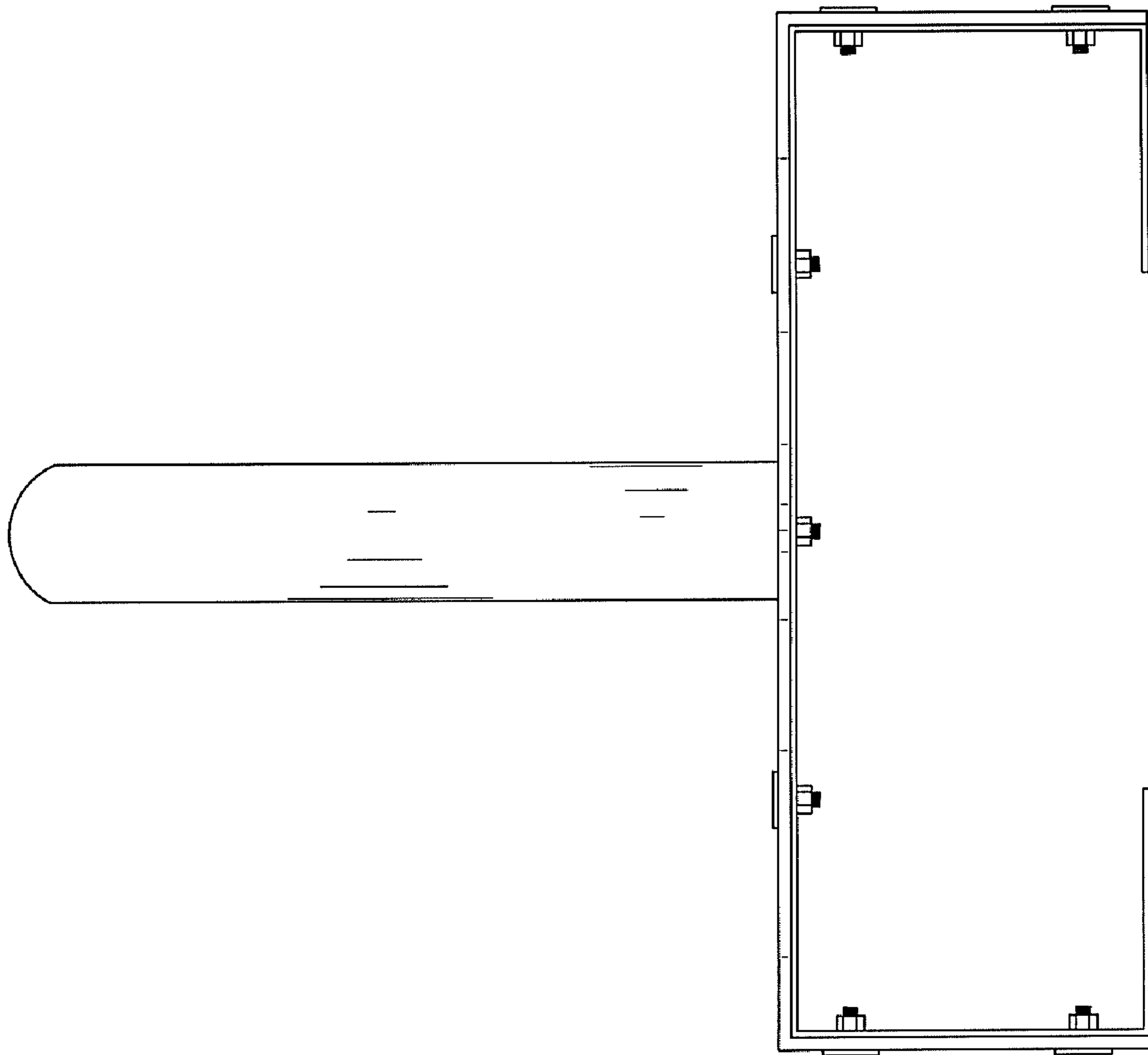


FIG. 4

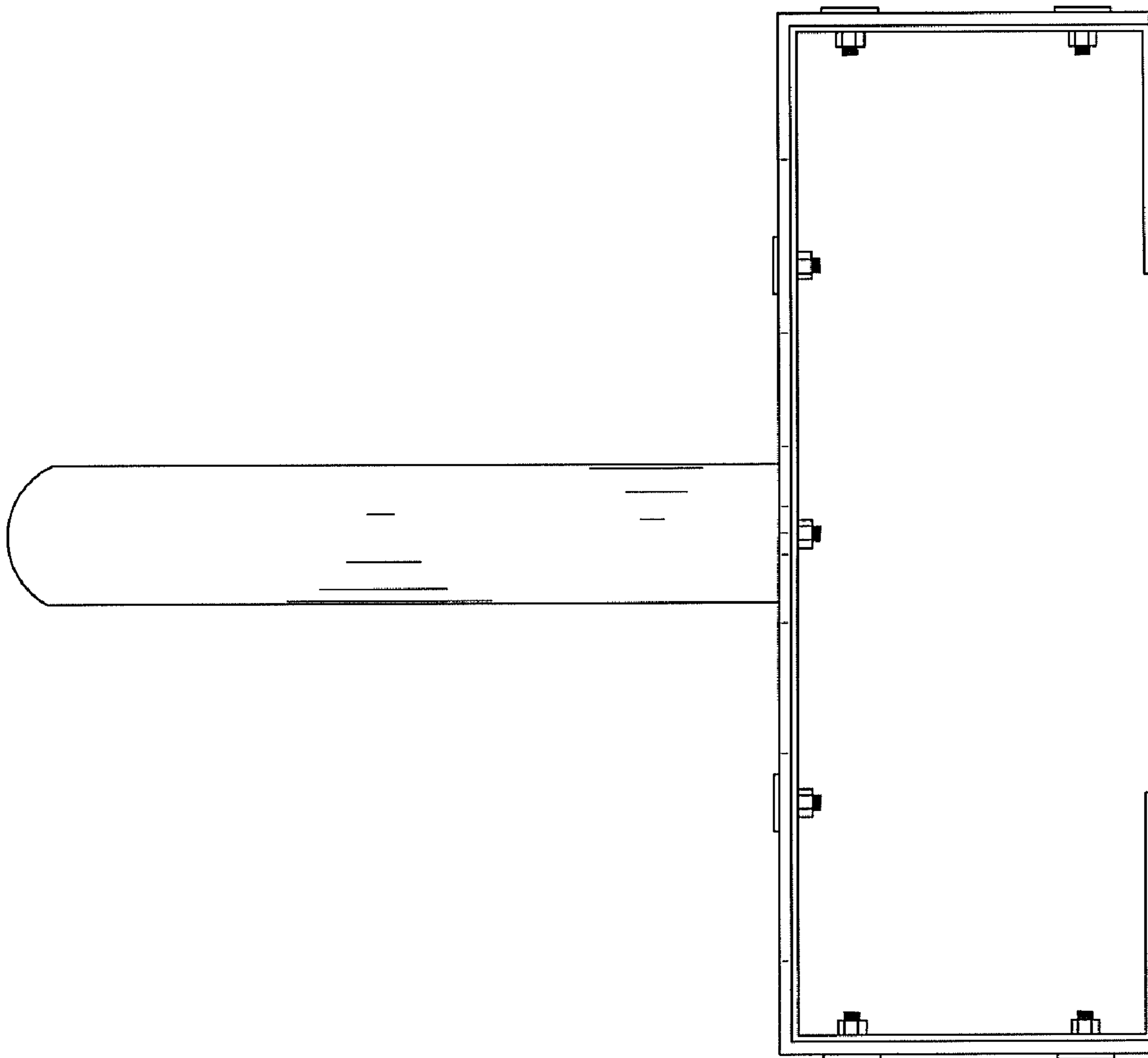


FIG. 5

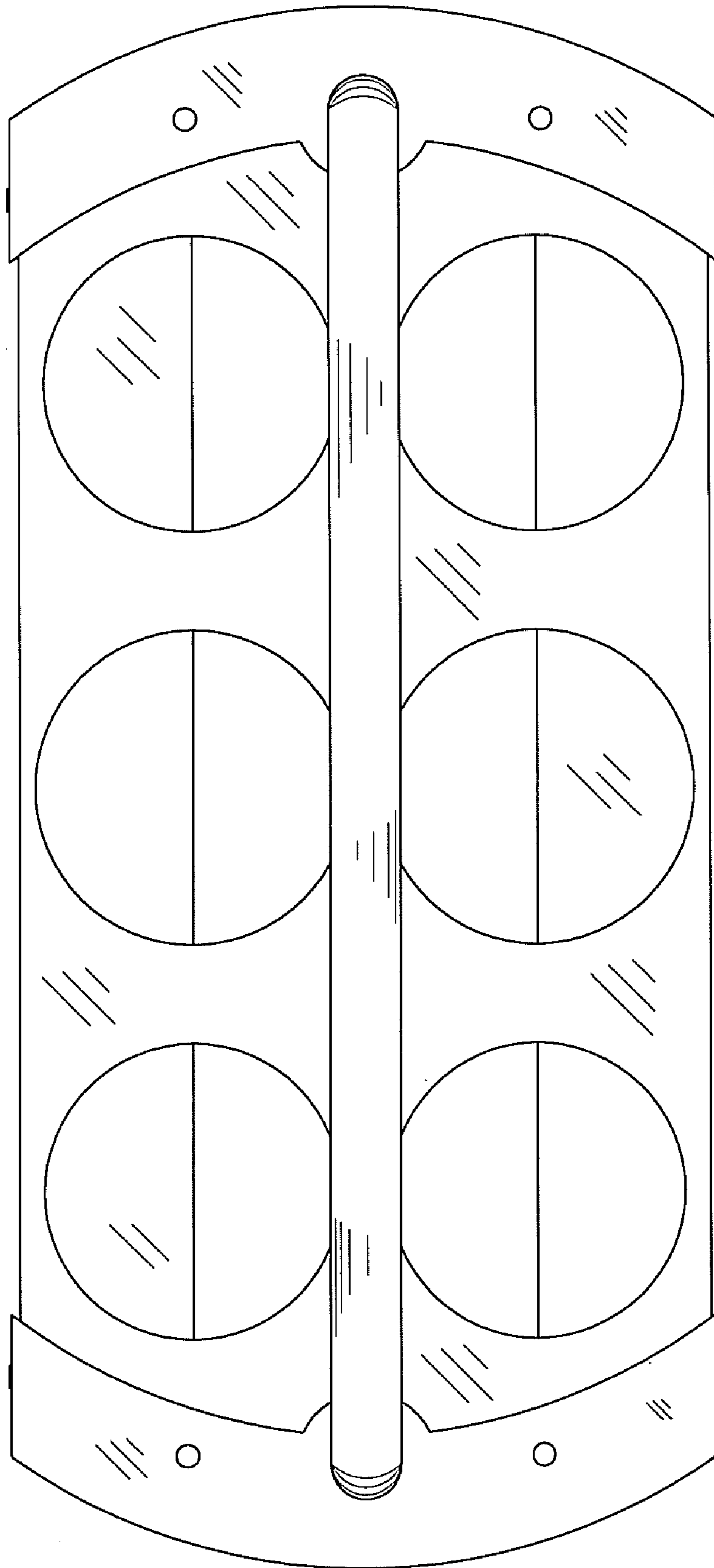


FIG. 6

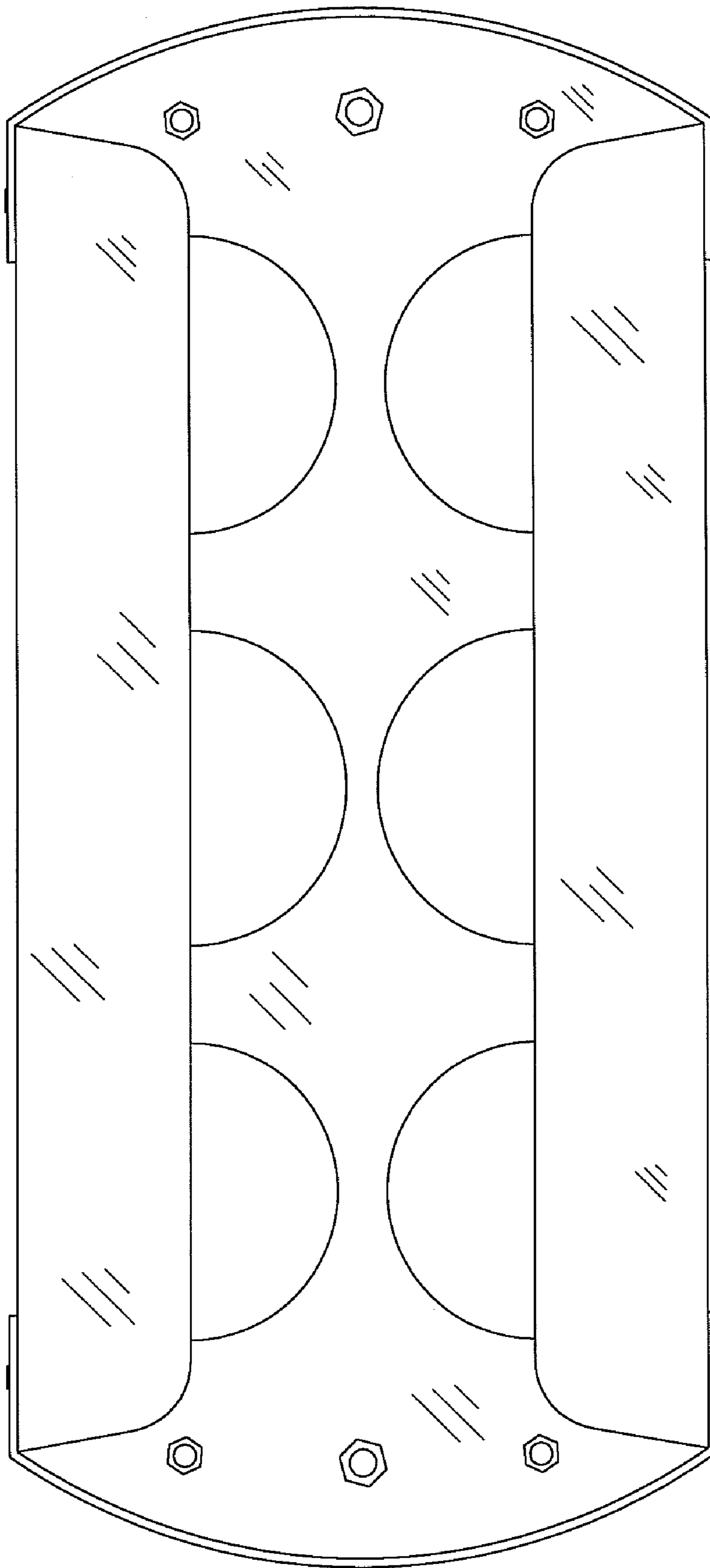


FIG. 7