



US00D544208S

(12) **United States Design Patent**
Guy et al.

(10) **Patent No.:** **US D544,208 S**
(45) **Date of Patent:** **** Jun. 12, 2007**

(54) **WINE BOTTLE AND ACCESSORY HOLDER**

(75) Inventors: **Kevin Guy**, Moorpark, CA (US);
Mario Tagliati, Thousand Oaks, CA
(US)

(73) Assignee: **Picnic Time, Inc.**, Moorpark, CA (US)

(**) Term: **14 Years**

(21) Appl. No.: **29/229,251**

(22) Filed: **May 5, 2005**

(51) **LOC (8) Cl.** **03-01**

(52) **U.S. Cl.** **D3/274; D3/295**

(58) **Field of Classification Search** D3/201–202,
D3/269, 273–274, 276–277, 283–284, 287,
D3/289, 293–297, 315; D7/605, 619.1, 629;
D9/455; 206/427–428; 220/592.2, 592.4,
220/592.8–592.9, 592.16, 592.18, 592.24,
220/739, 903; 224/148.1, 148.3–148.4, 148.6–148.7
See application file for complete search history.

(56) **References Cited**

U.S. PATENT DOCUMENTS

D59,662 S 11/1921 Lauzon
2,464,069 A 3/1949 Benson
D157,731 S 3/1950 Branen

(Continued)

OTHER PUBLICATIONS

Picnic Time Encore Insulated Wine Tote, Model: 668–97.
Downloaded Mar. 31, 2006 at <http://www.picnicworld.net/picnic-bags-13864.html>, (4 pages).
Picnic Time Encore #668–97 Premium One–Bottle Insulated Wine Tote w/Stainless waiter style corkscrew and nickel plated bottle stopper. 2004 web page downloaded Mar. 31, 2006 at <http://web.archive.org/web/20041019023006/http://www.picnictime.com/products.php?pid=87>, (2 pages).
U.S. Appl. No. 29/179,060, Tagliati et al.

Primary Examiner—Philip S. Hyder

Assistant Examiner—RoseLynne (Ulm) Cody

(74) *Attorney, Agent, or Firm*—Jeffer Mangels Butler & Marmaro, LLP

(57) **CLAIM**

The ornamental design for a wine bottle and accessory holder, as shown and described.

DESCRIPTION

FIG. 1 is a perspective view of one embodiment of the present invention;

FIG. 2 is a rear elevational view of the embodiment shown in FIG. 1;

FIG. 3 is a right side elevational view of the embodiment shown in FIG. 1, the left side being a mirror image thereof; FIG. 4 is a front elevational view of the embodiment shown in FIG. 1;

FIG. 5 is a top plan view of the embodiment shown in FIG. 1;

FIG. 6 is a bottom plan view of the embodiment shown in FIG. 1;

FIG. 7 is a perspective view of a second embodiment of the present invention, showing the bottom drawer in an open position;

FIG. 8 is a rear elevational view of the embodiment shown in FIG. 7;

FIG. 9 is a right side elevational view of the embodiment shown in FIG. 7, the left side being a mirror image thereof; FIG. 10 is a front elevational view of the embodiment shown in FIG. 7;

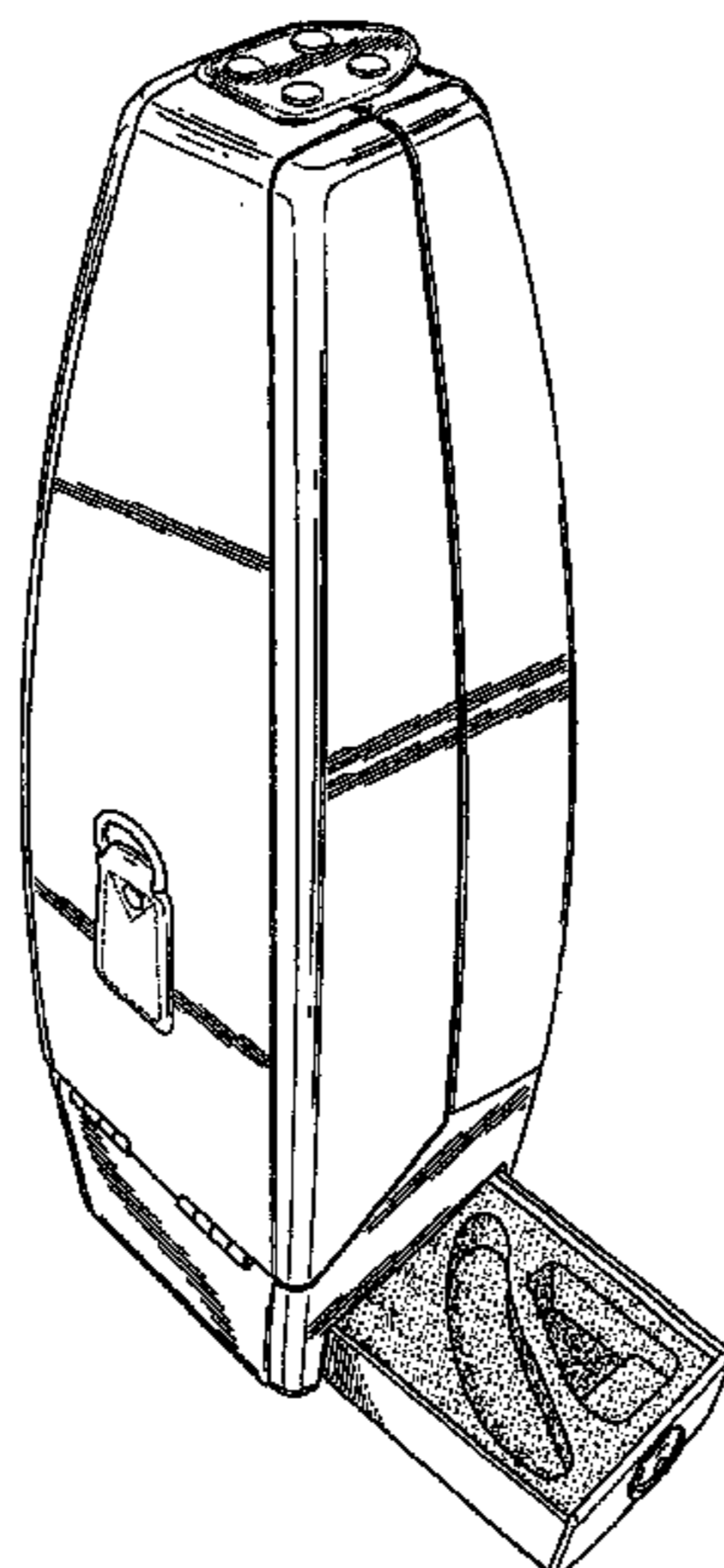
FIG. 11 is a top plan view of the embodiment shown in FIG. 7; and,

FIG. 12 is a bottom plan view of the embodiment shown in FIG. 7.

The dotted lines in FIGS. 1–3 and 5–9, 11, and 12 are for illustrative purposes only and do not form a part of the claimed design.

The broken lines and shading in FIGS. 1–12 are for illustrative purposes only and form no part of the claimed design.

1 Claim, 7 Drawing Sheets



US D544,208 S

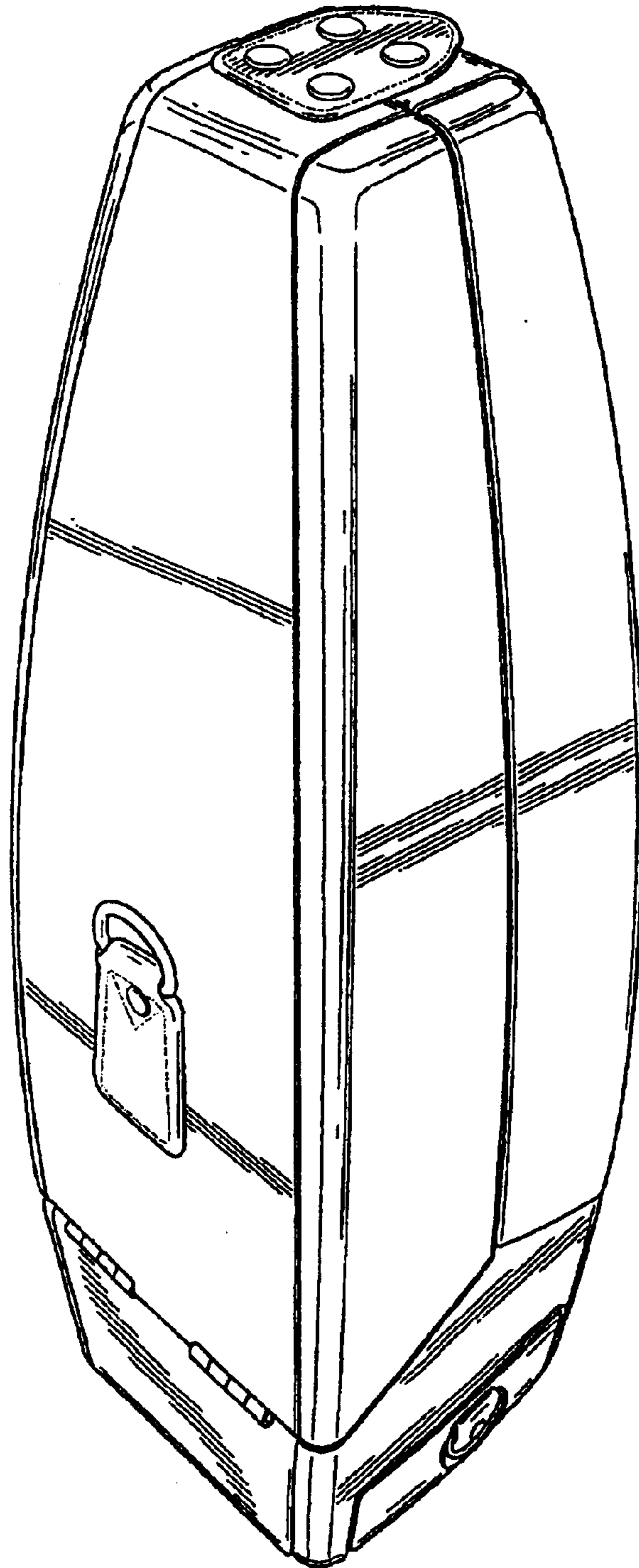
Page 2

U.S. PATENT DOCUMENTS

D247,392 S	2/1978	Coleman		D482,868 S	12/2003	Tagliati et al.	
D262,844 S	* 2/1982	Richardson D6/432	D486,641 S	2/2004	Tagliati	
D281,694 S	* 12/1985	Ryan, Jr. D7/605	D486,642 S	2/2004	Tagliati et al.	
D284,062 S	* 6/1986	Ryan, Jr. D7/605	D489,177 S	5/2004	Tagliati	
D286,251 S	* 10/1986	Steyn D7/605	D509,062 S	* 9/2005	Tagliati et al. D3/277
D305,714 S	* 1/1990	Carlson D7/605	D512,218 S	* 12/2005	Tagliati et al. D3/273
D352,827 S	* 11/1994	Schildkraut D3/283	D513,363 S	* 1/2006	Swartz et al. D3/202
D375,660 S	11/1996	Parris		D513,558 S	* 1/2006	Tagliati et al. D3/276
D408,624 S	* 4/1999	Earvin D3/202	D514,803 S	* 2/2006	Swartz et al. D3/202
6,073,796 A	* 6/2000	Mogil 220/592.17	D514,809 S	* 2/2006	Tagliati et al. D3/273
D438,003 S	* 2/2001	Minagawa et al. D3/273	D516,809 S	* 3/2006	Tagliati et al. D3/273
D444,296 S	* 7/2001	Minagawa et al. D3/273	D517,316 S	* 3/2006	Tagliati et al. D3/273
D450,445 S	11/2001	Philipson et al.		D517,798 S	* 3/2006	Lown et al. D3/202
D451,665 S	* 12/2001	Phillips et al. D3/202	D521,731 S	* 5/2006	Tagliati et al. D3/273
D462,164 S	9/2002	Phillips					

* cited by examiner

Fig. 1



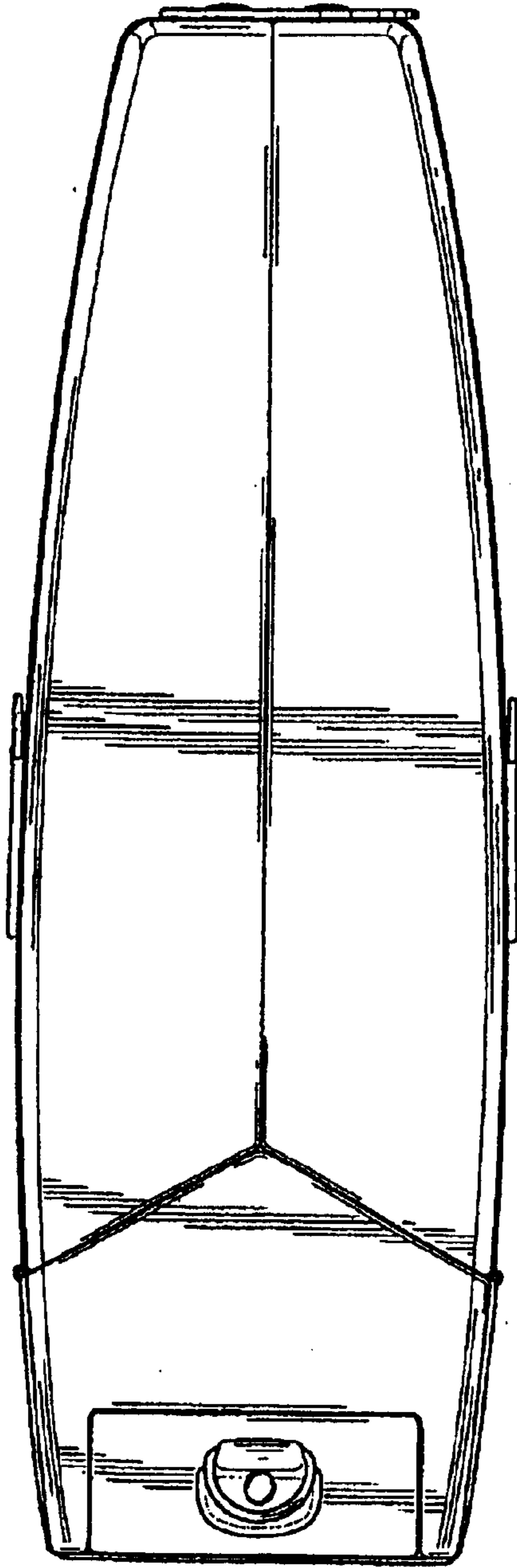


Fig. 2

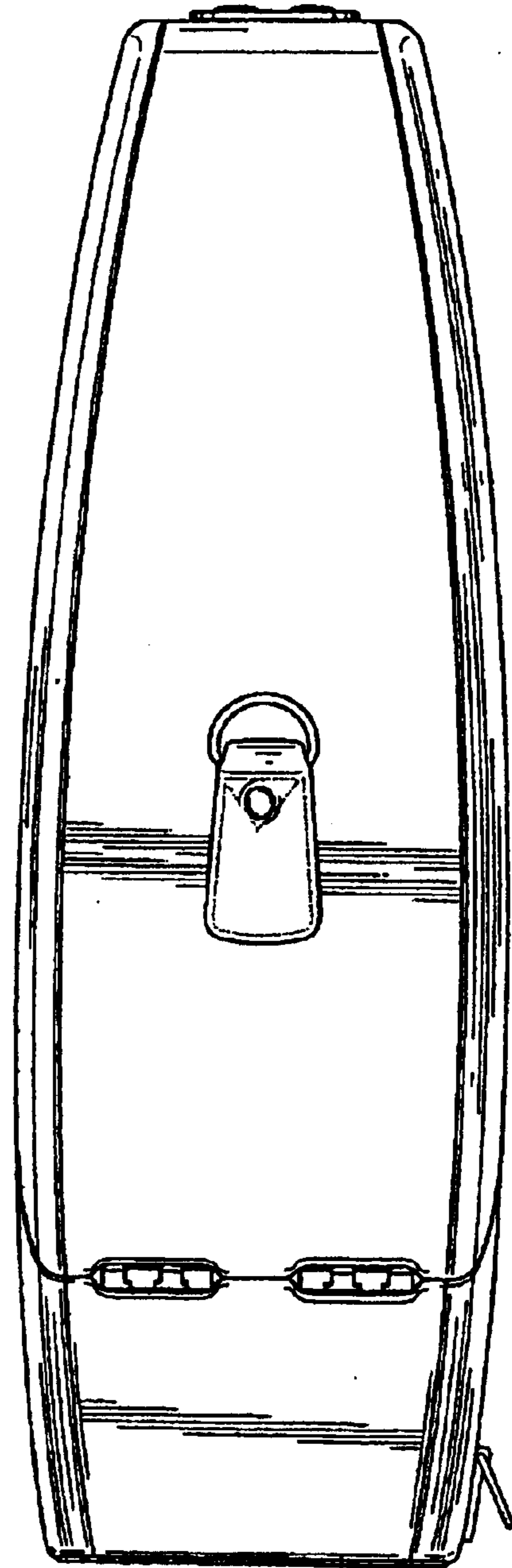


Fig. 3

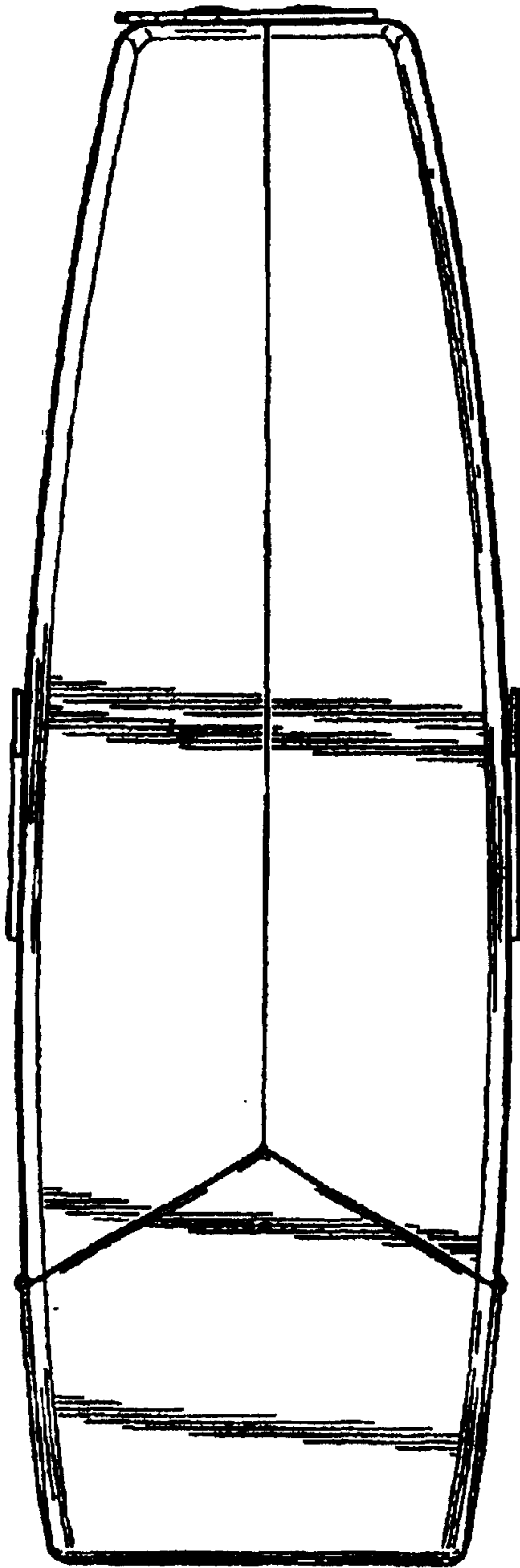


Fig. 4

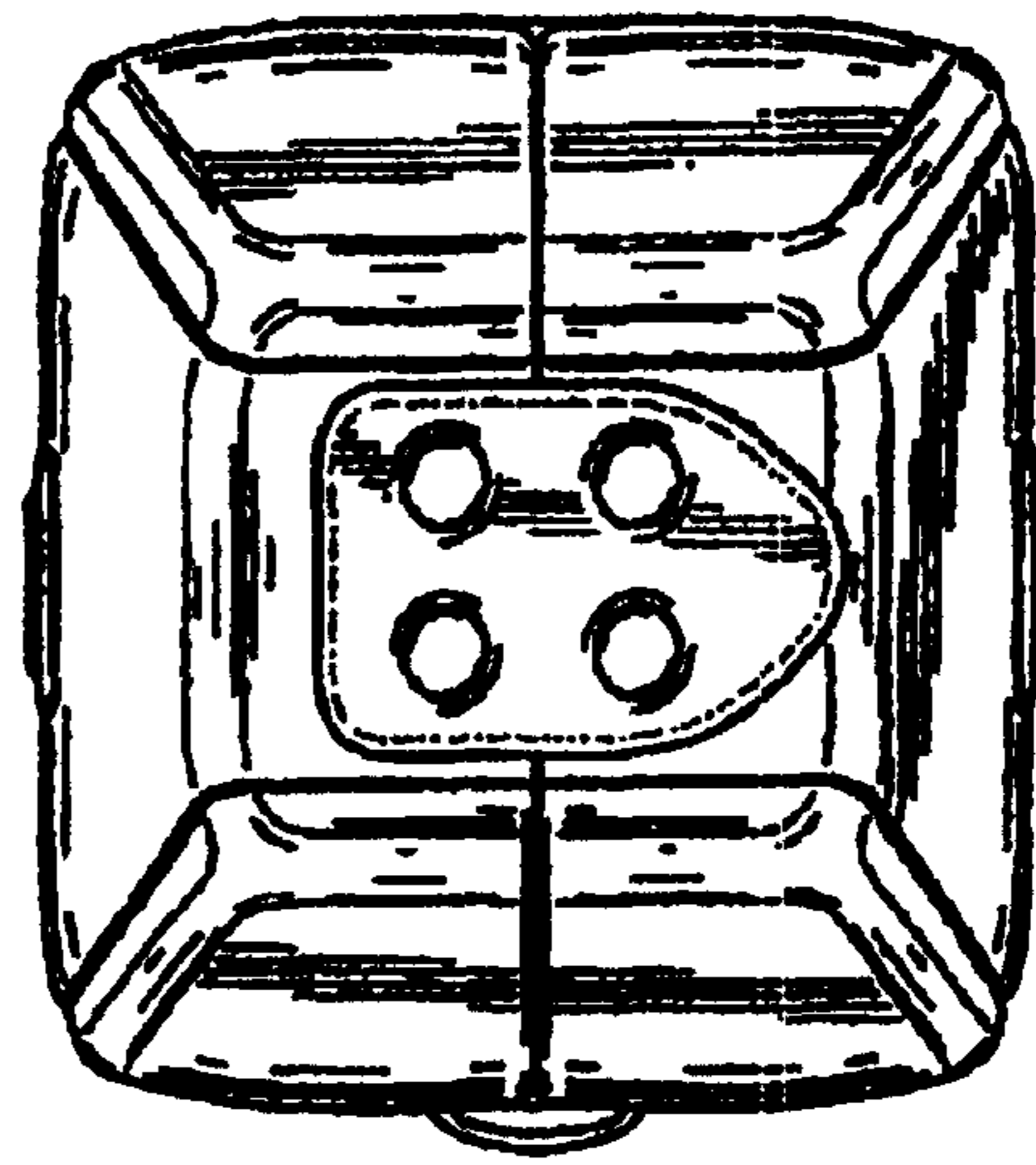


Fig. 5

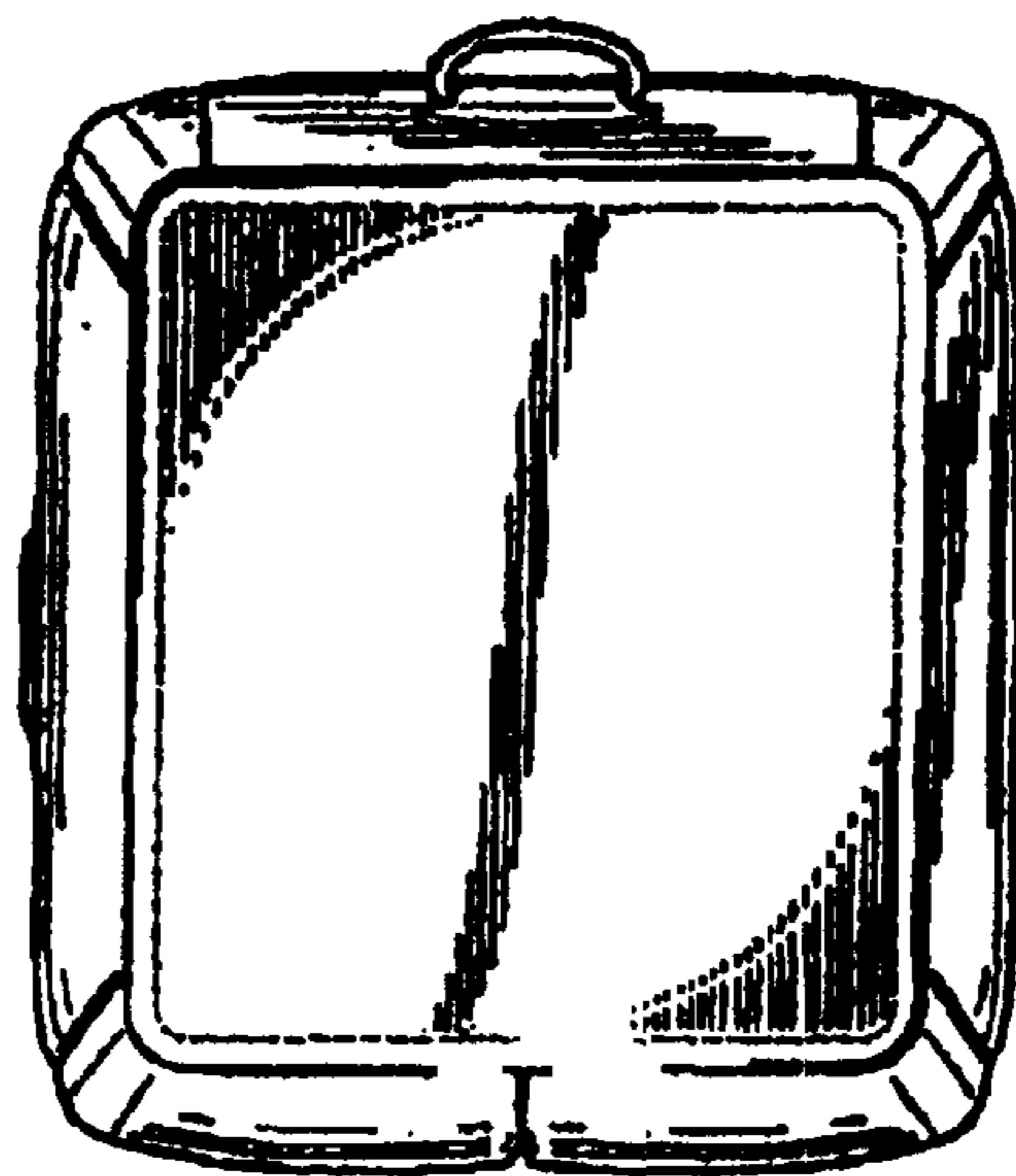


Fig. 6

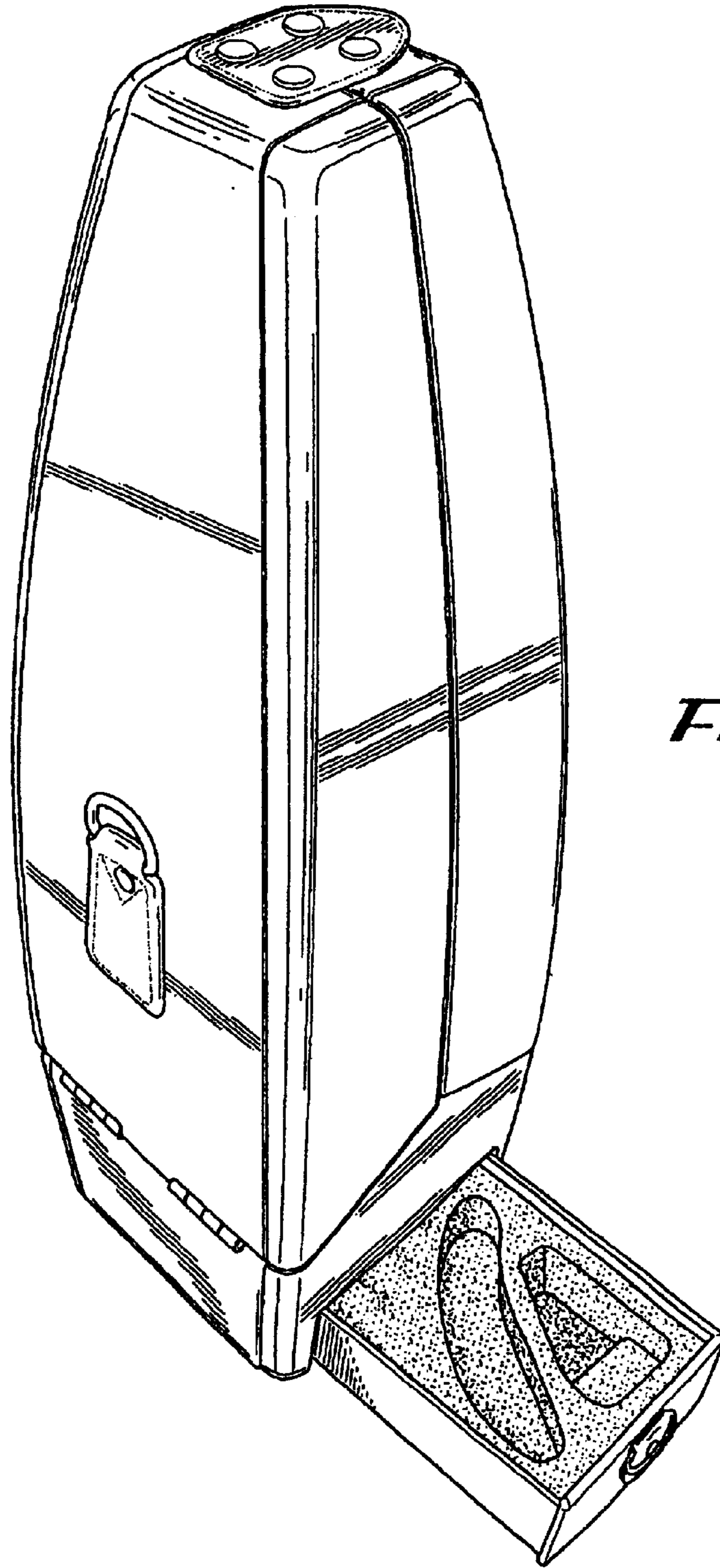


Fig. 7

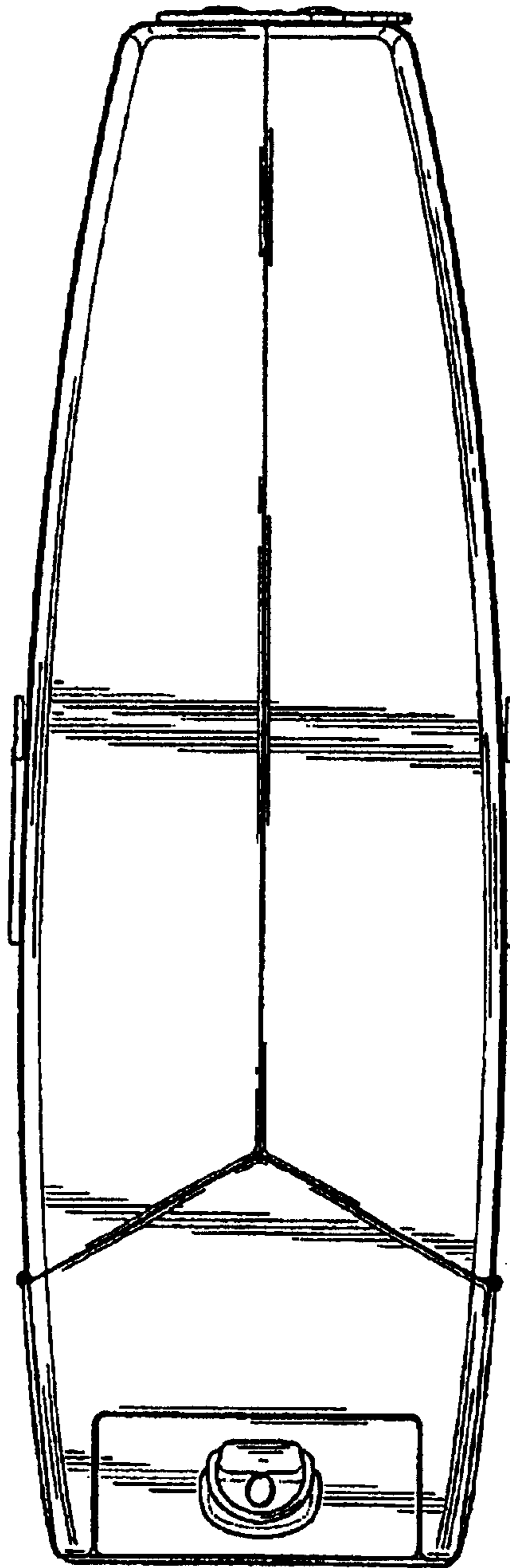


Fig. 8

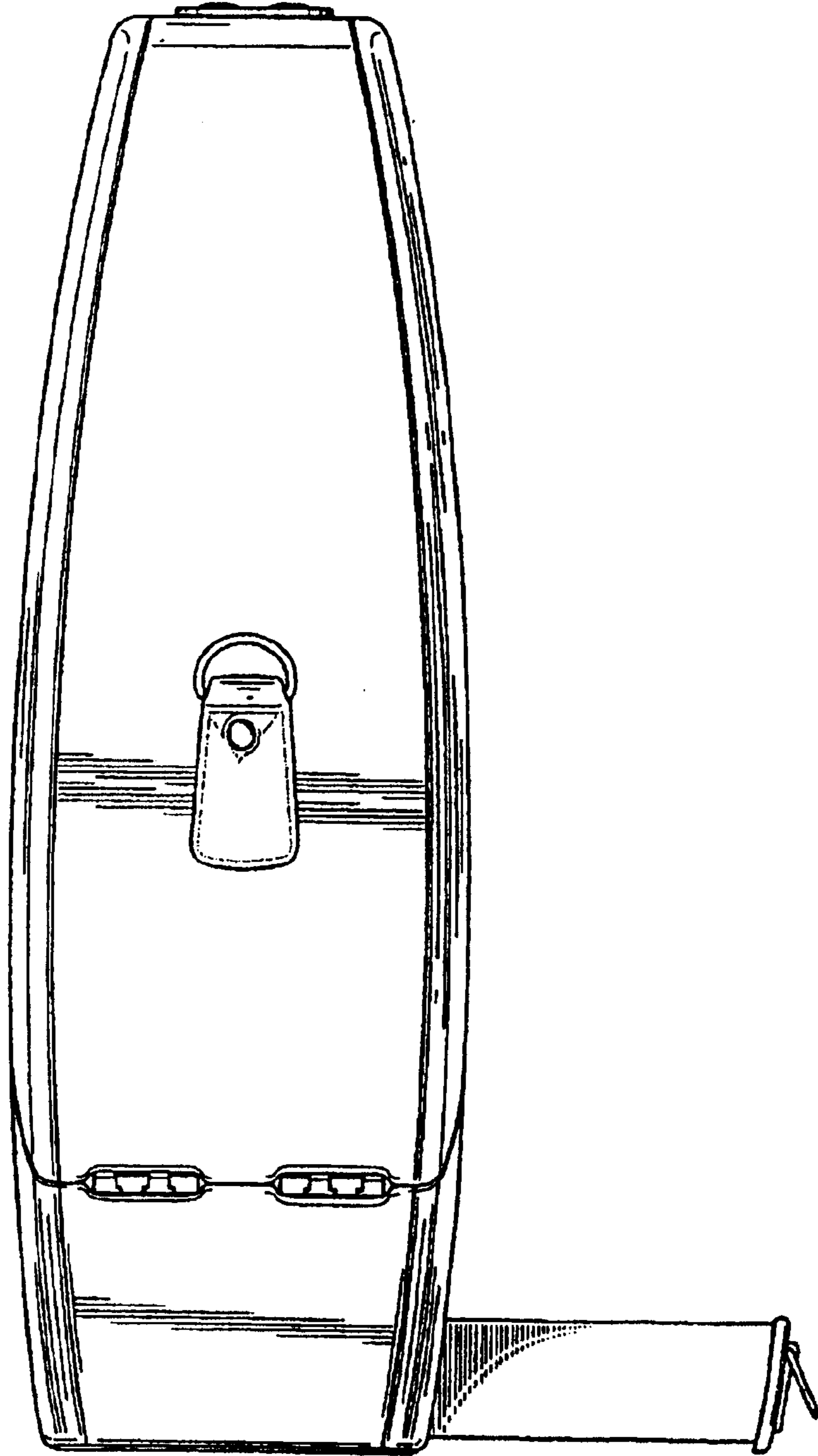


Fig. 9

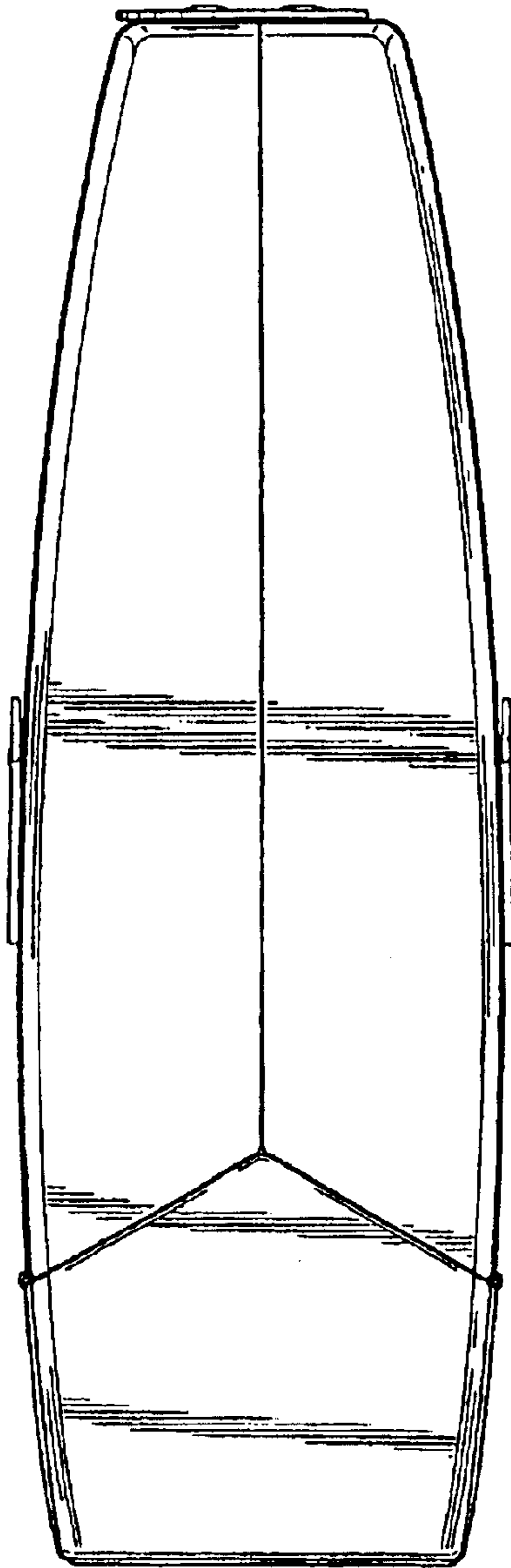


Fig. 10

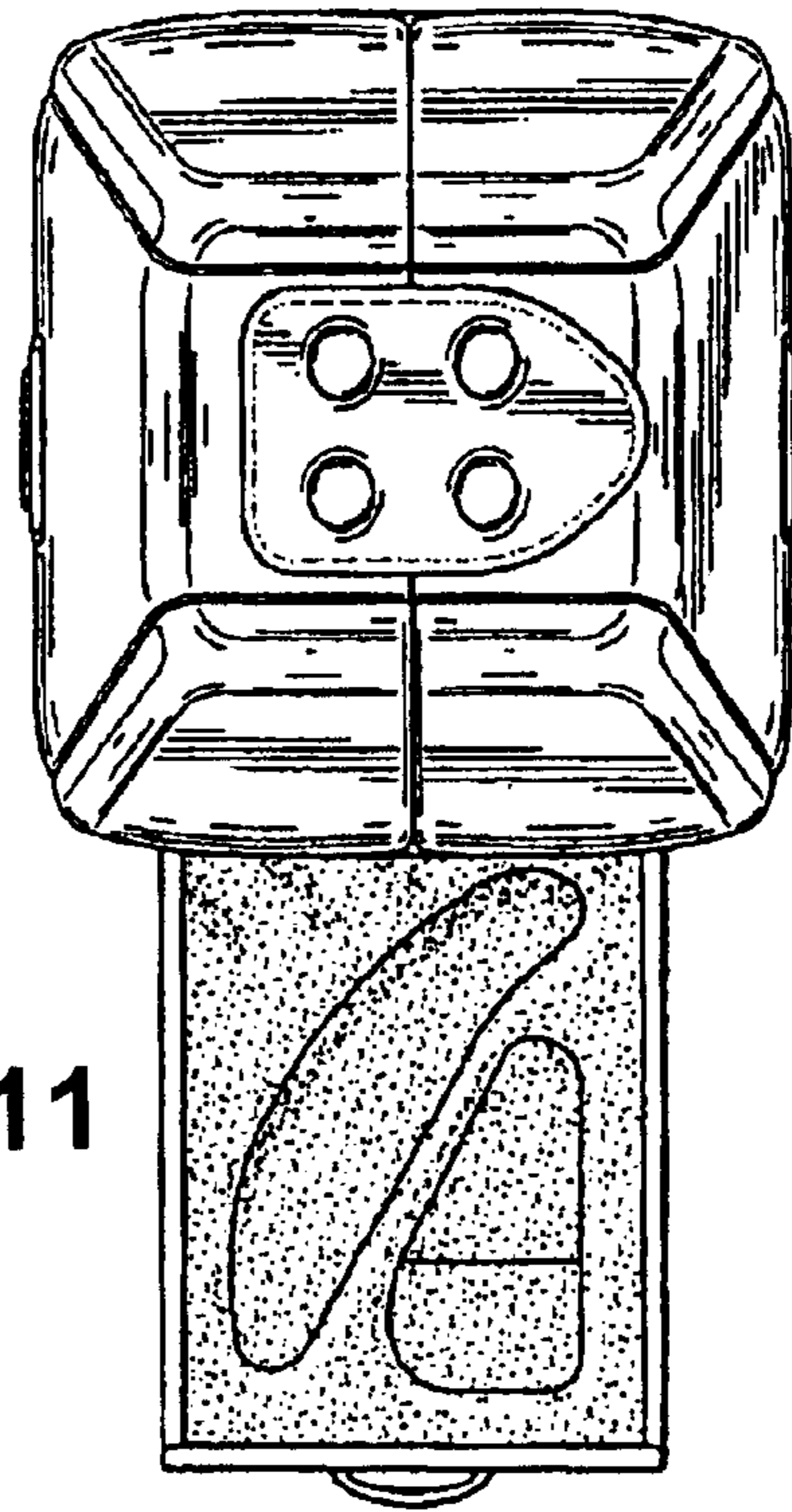


Fig. 11

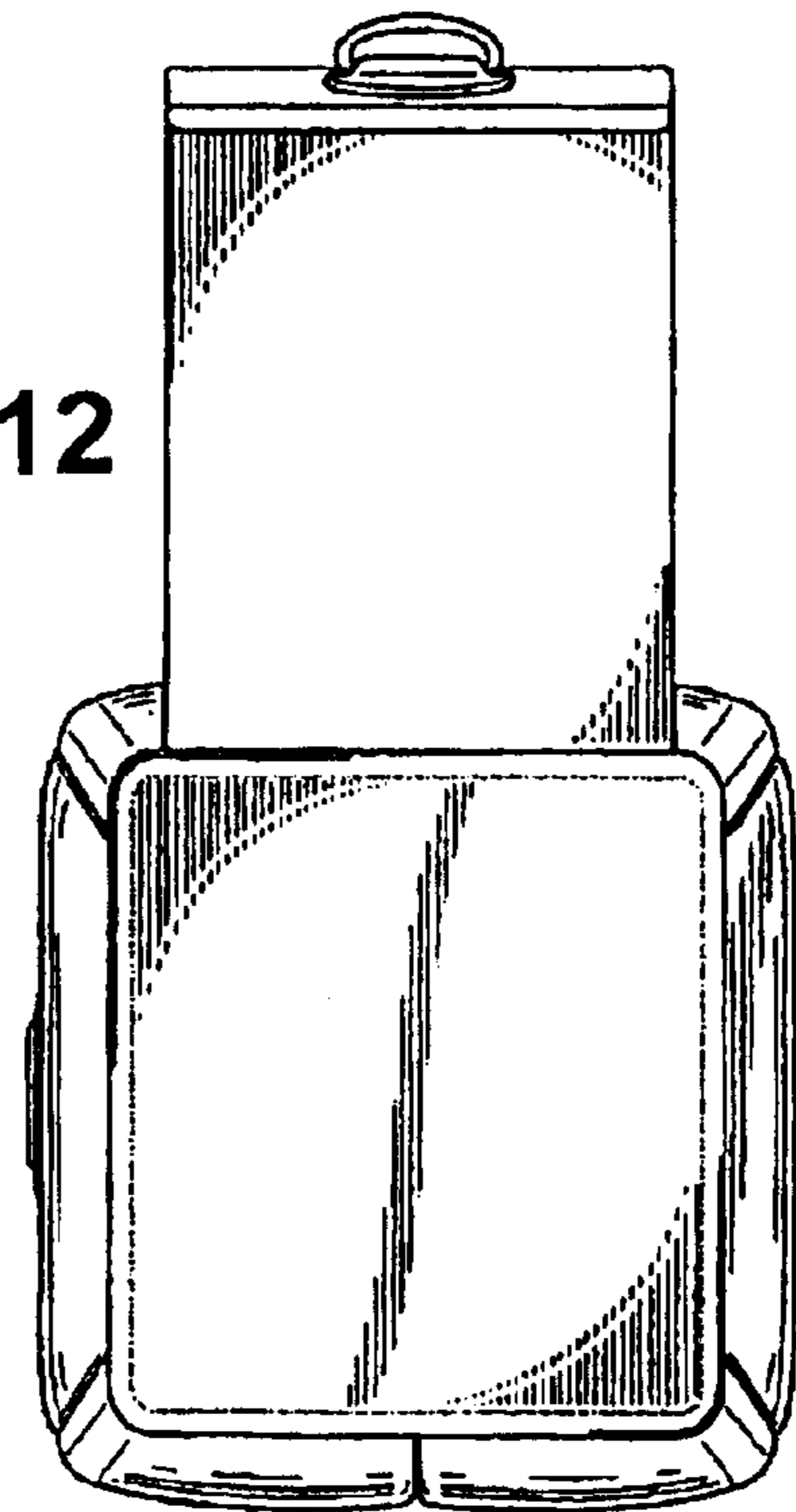


Fig. 12