



US00D544202S

(12) **United States Design Patent**
Markfelder

(10) **Patent No.:** **US D544,202 S**

(45) **Date of Patent:** **** Jun. 12, 2007**

(54) **PILL BOX**

(75) Inventor: **Ronald Markfelder**, Willmar, MN (US)

(73) Assignee: **Molenaar, Inc.**, Wilmar, MN (US)

(**) Term: **14 Years**

(21) Appl. No.: **29/266,012**

(22) Filed: **Sep. 13, 2006**

(51) **LOC (8) Cl.** **03-01**

(52) **U.S. Cl.** **D3/203.3**

(58) **Field of Classification Search** D3/203.1,
D3/203.2, 203.3, 203.4, 203.5, 219, 265,
D3/205; D28/72, 79-83, 77; 206/531-540
See application file for complete search history.

(56) **References Cited**

U.S. PATENT DOCUMENTS

D351,487 S	*	10/1994	Chen	D28/79
D466,801 S	*	12/2002	Holland	D3/203.3
D525,151 S	*	7/2006	Oas	D10/40
D528,288 S	*	9/2006	Coe et al.	D3/203.3

* cited by examiner

Primary Examiner—Catherine R. Oliver

(74) *Attorney, Agent, or Firm*—Gray, Plant, Mooty, Monty & Bennett, PA; Peter Forrest

(57) **CLAIM**

I claim the ornamental design for a pill box, as shown and described.

DESCRIPTION

FIG. 1 is a perspective view of a pill box showing my new design;

FIG. 2 is a top view thereof;

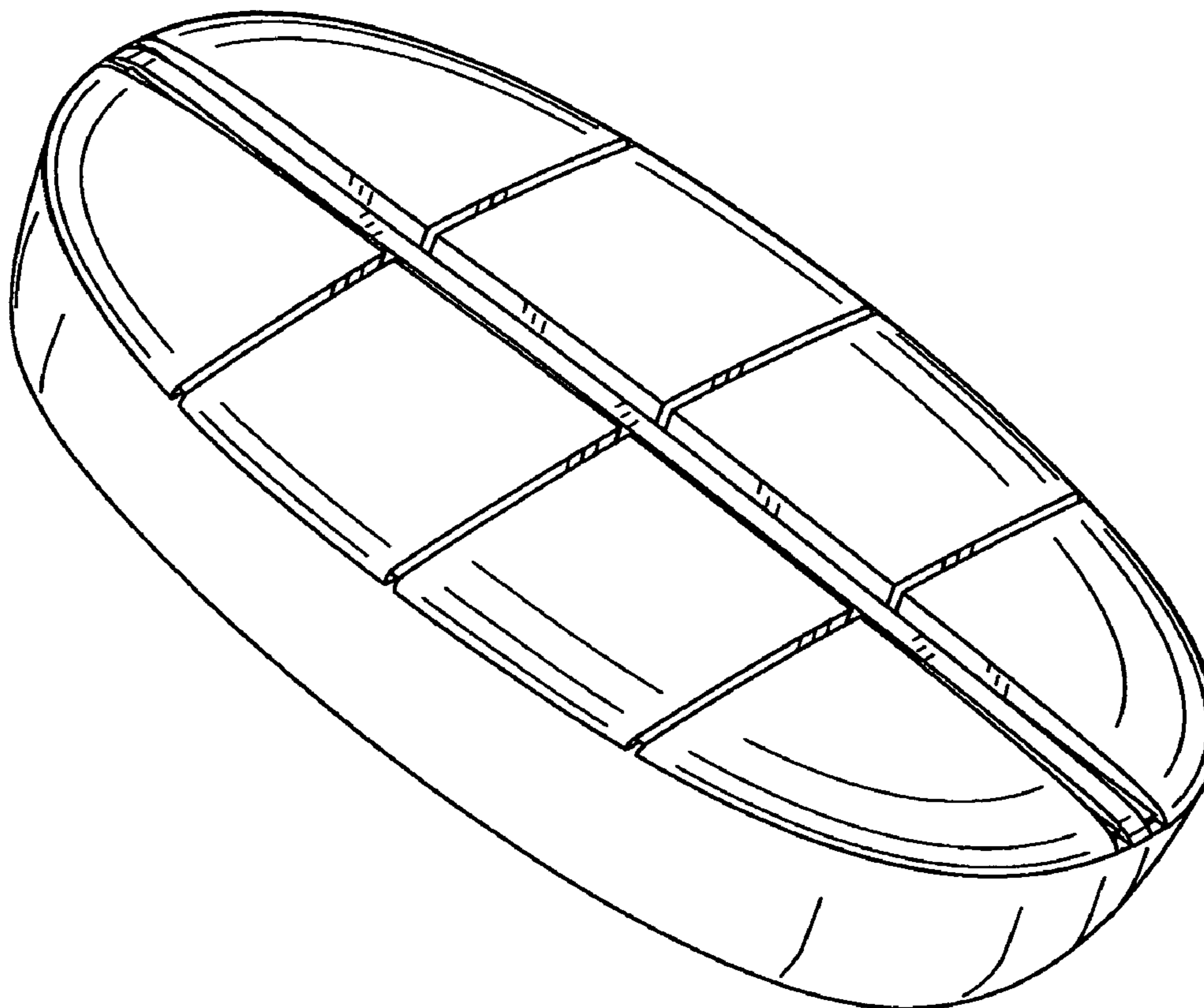
FIG. 3 is a bottom view thereof;

FIG. 4 is a side view thereof, the opposite side being a mirror image;

FIG. 5 is an end view thereof, the opposite end being a mirror image; and,

FIG. 6 is a perspective view thereof with some covers in open position.

1 Claim, 6 Drawing Sheets



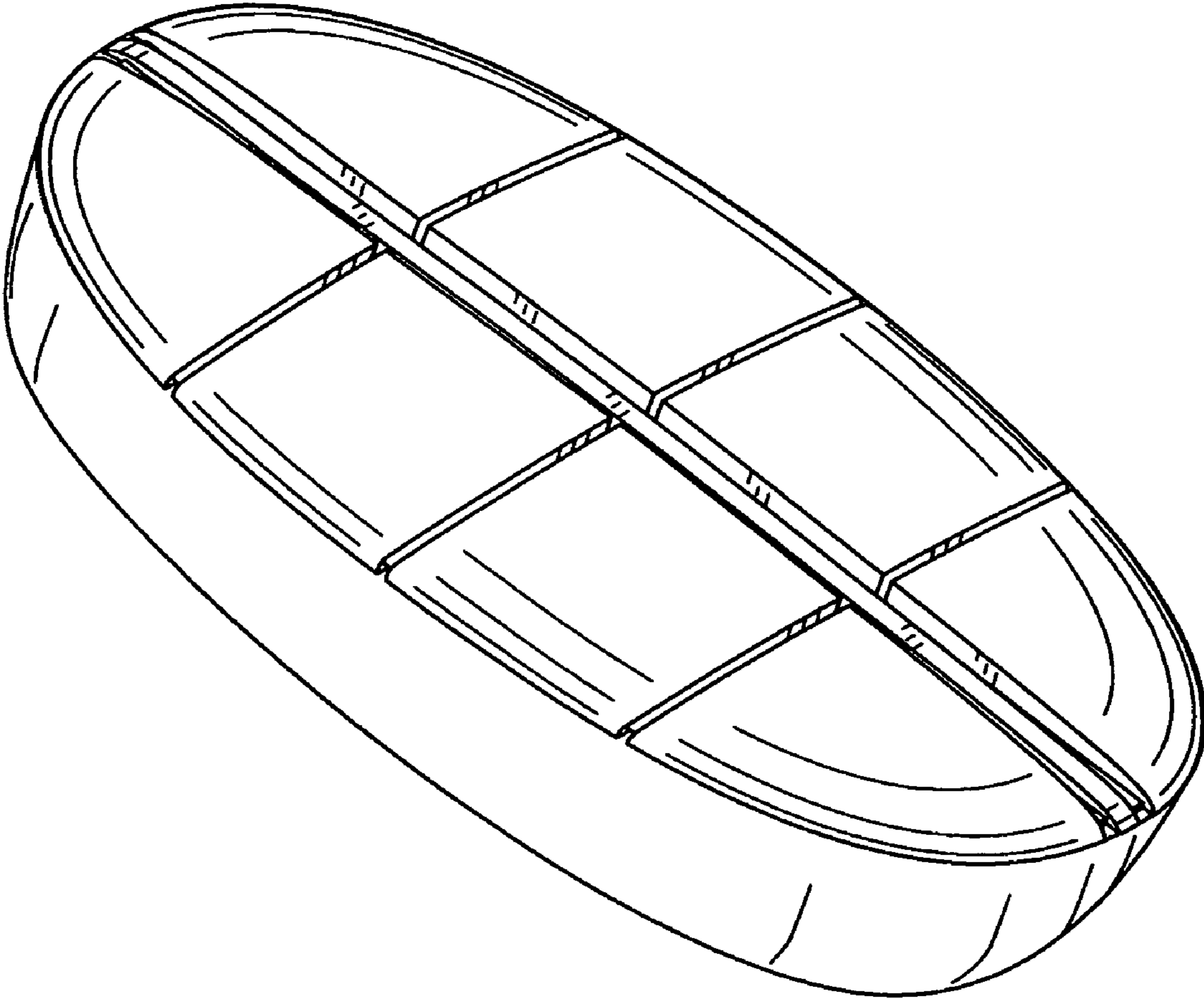


FIG. 1

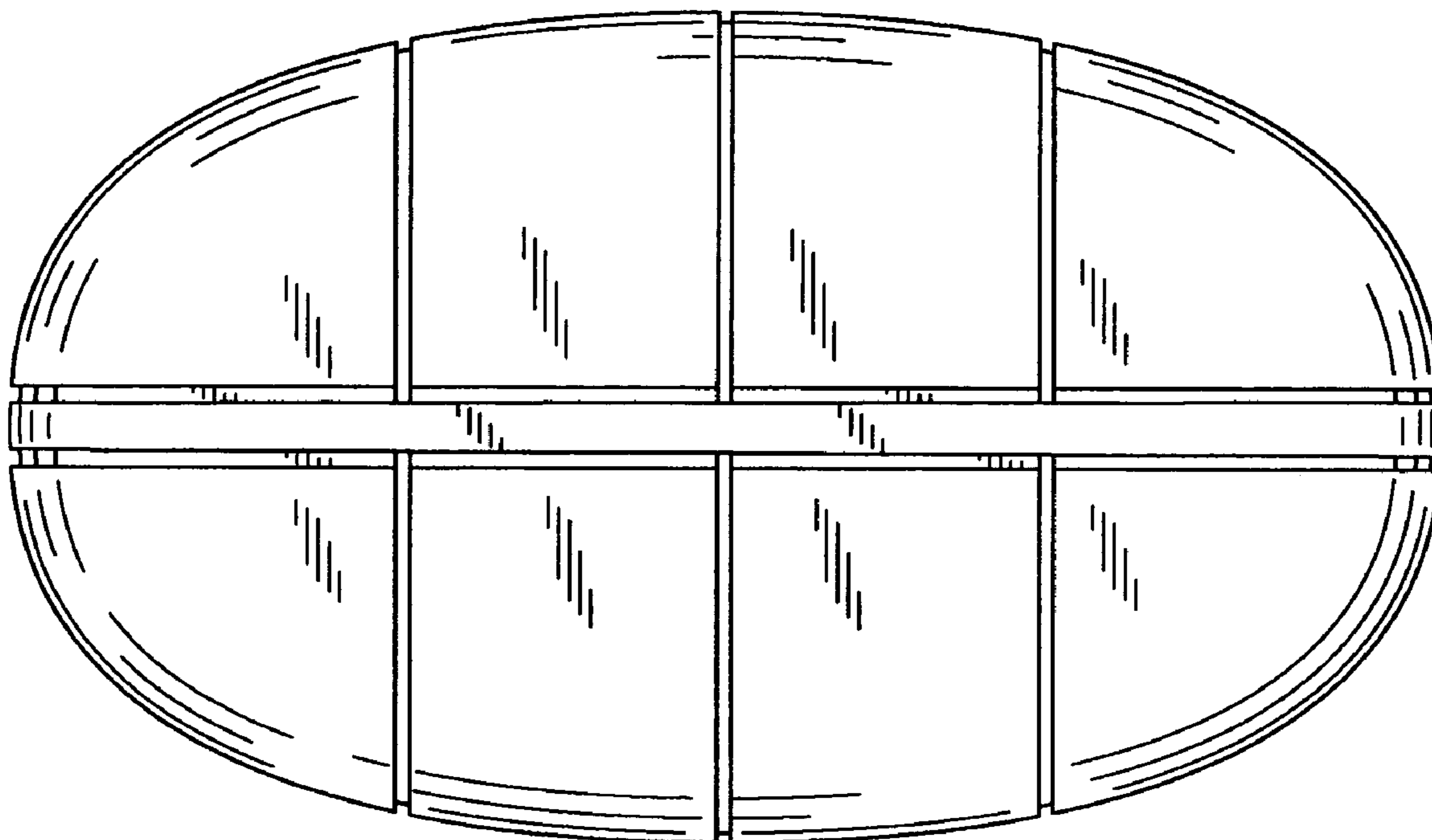


FIG. 2

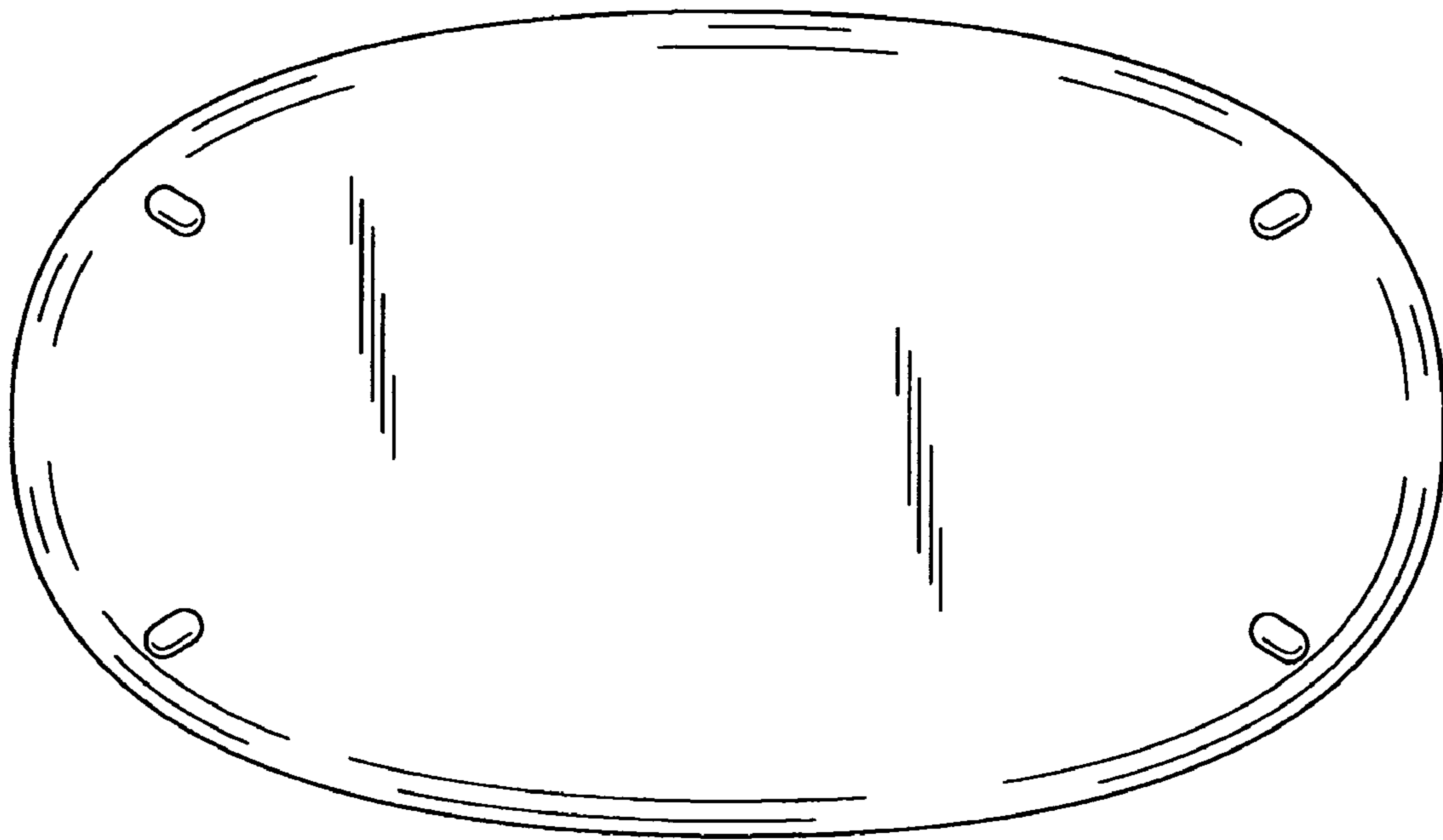


FIG. 3

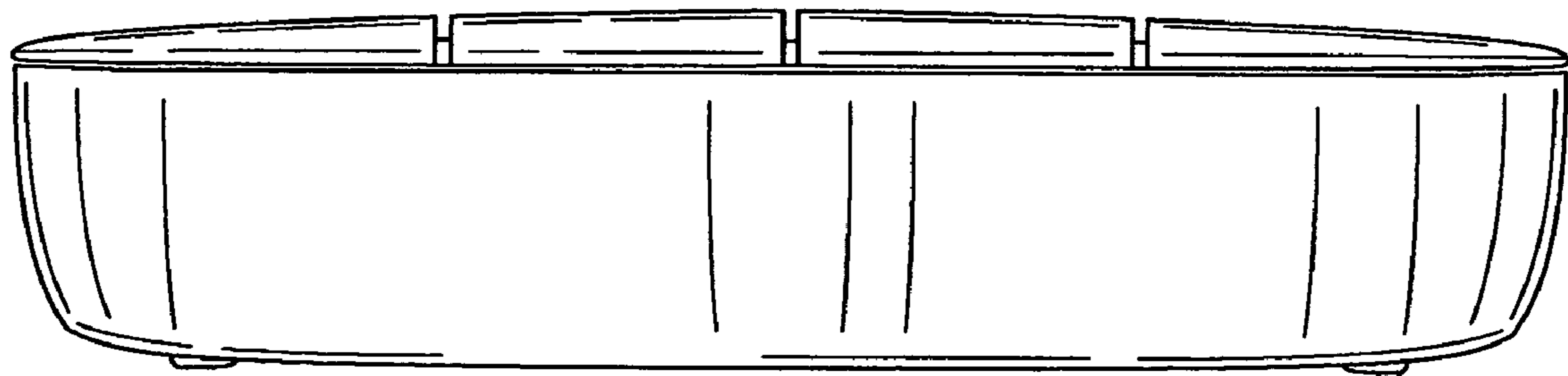


FIG. 4

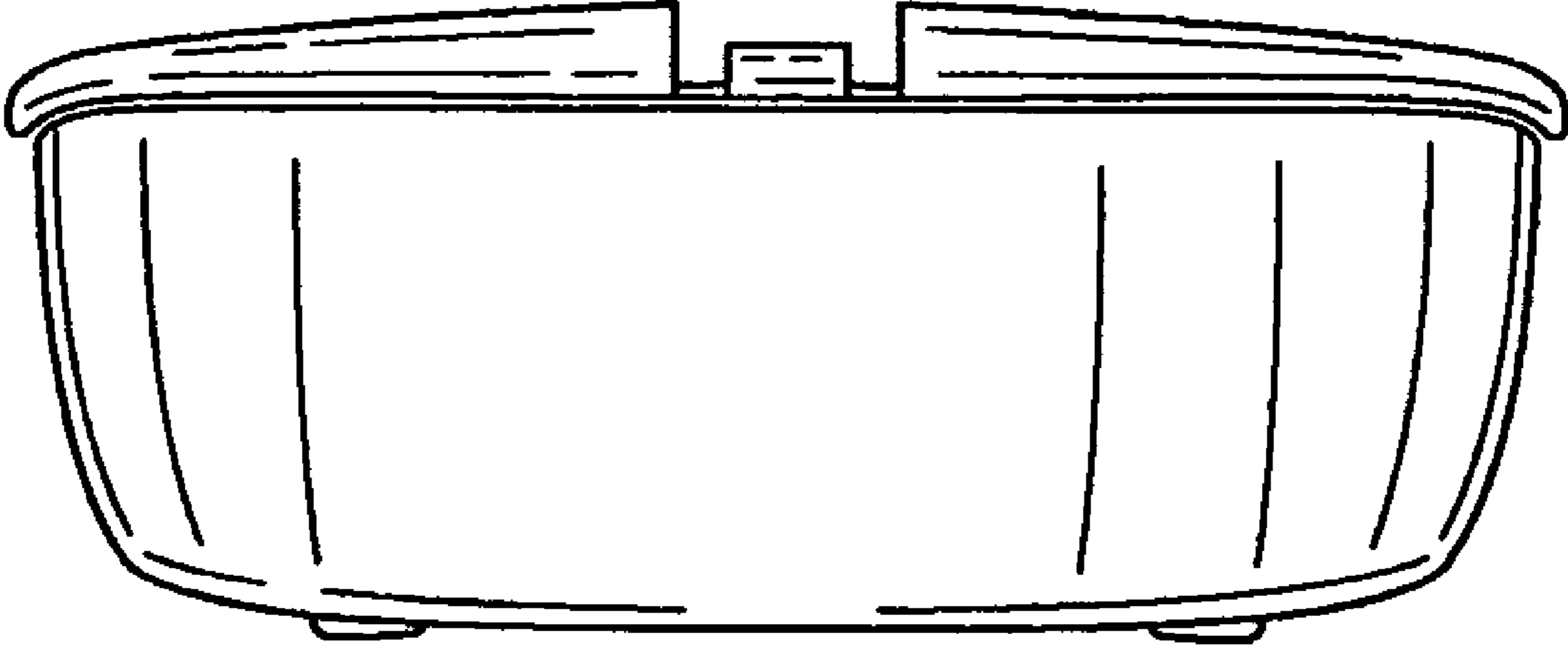


FIG. 5

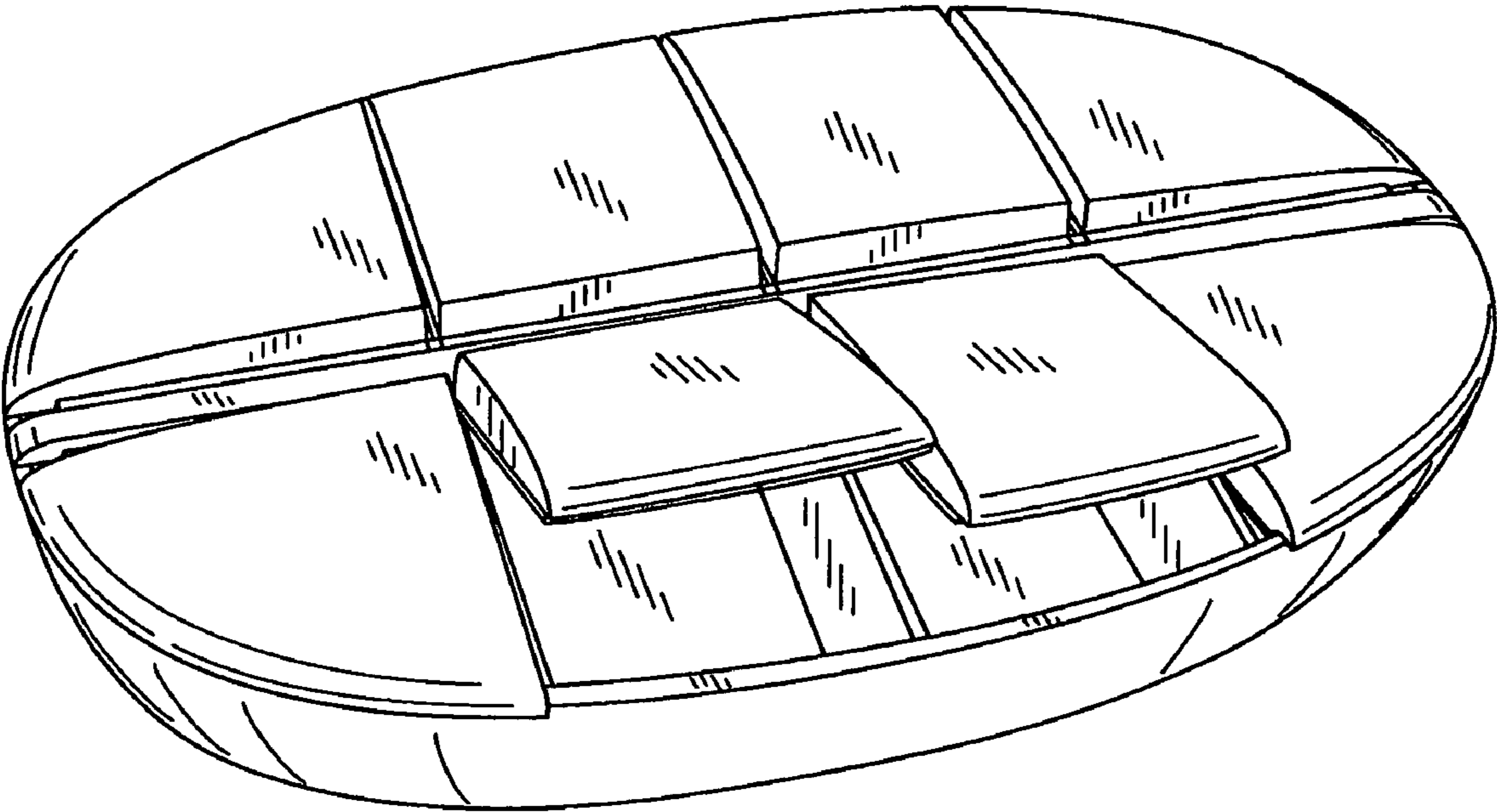


FIG. 6