



US00D544177S

(12) **United States Design Patent**  
**Beecham**

(10) **Patent No.:** **US D544,177 S**  
(45) **Date of Patent:** **\*\* Jun. 12, 2007**

(54) **CONFECTION WITH OR WITHOUT A STICK**

(75) Inventor: **Clive Beecham**, London (GB)

(73) Assignee: **Kinnerton (Confectionery) Company Limited** (GB)

(\*\*) Term: **14 Years**

(21) Appl. No.: **29/253,411**

(22) Filed: **Feb. 6, 2006**

(30) **Foreign Application Priority Data**

Aug. 6, 2005 (EM) ..... 00385208

(51) **LOC (8) Cl.** ..... **01-01**

(52) **U.S. Cl.** ..... **D1/127; D1/102**

(58) **Field of Classification Search** ..... D1/100-2,  
D1/105, 122, 127, 199; 426/90-91, 100-1,  
426/104, 132-4, 138-9, 421, 515; D21/386;  
D24/100-1; D28/8.1

See application file for complete search history.

(56) **References Cited**

**U.S. PATENT DOCUMENTS**

- D28,989 S \* 7/1898 Conway ..... D1/199
- 1,720,190 A \* 7/1929 Van Horne ..... 294/5.5
- 1,980,588 A \* 11/1934 Hopp ..... D1/102
- D94,770 S \* 3/1935 Lucke ..... D1/102
- D108,546 S \* 2/1938 Lazow ..... D1/102
- 2,212,764 A \* 8/1940 York ..... 426/515
- D188,694 S \* 8/1960 Freeman ..... D1/102
- D189,309 S \* 11/1960 Tupper et al. .... D7/672
- 2,968,597 A \* 1/1961 Hooker ..... 426/393
- D205,572 S \* 8/1966 Davies ..... D1/102
- D210,308 S \* 2/1968 Ollier et al. .... D7/672
- D298,664 S \* 11/1988 Huff ..... D28/8.1
- 5,042,860 A \* 8/1991 Bouton ..... 294/5.5
- 5,256,426 A \* 10/1993 Tomioka et al. .... 426/100
- 5,425,958 A \* 6/1995 Fazio et al. .... 426/515
- D387,535 S \* 12/1997 Neuhann ..... D1/102
- 6,099,874 A \* 8/2000 Tucker et al. .... 426/91
- 6,194,014 B1 \* 2/2001 Busse et al. .... 426/100

- 6,228,415 B1 \* 5/2001 Jimenez-Laguna et al. . 426/101
- 6,231,901 B1 \* 5/2001 Sharkasi et al. .... 426/101
- 6,251,456 B1 \* 6/2001 Maul et al. .... 426/306
- 6,461,653 B1 \* 10/2002 Cox ..... 426/104
- 6,663,374 B1 \* 12/2003 Marable et al. .... 426/515
- D495,116 S \* 8/2004 Trocme ..... D1/127
- 6,821,544 B1 \* 11/2004 Illy et al. .... 426/582
- 2002/0168451 A1 \* 11/2002 O'Donnell Kiely ..... 426/91

**OTHER PUBLICATIONS**

Modern Packaging, Sep. 1962, p. 252.\*

\* cited by examiner

*Primary Examiner*—Robin Webster

*Assistant Examiner*—Karen E. Patterson

(74) *Attorney, Agent, or Firm*—Galgano & Associates, PLLC

(57) **CLAIM**

The ornamental design for a connection with or without a stick, as shown and described.

**DESCRIPTION**

FIG. 1 is a front, left side and bottom perspective view of a confection with or without a stick showing a first embodiment of my new design with a stick;

FIG. 2 is a front view thereof;

FIG. 3 is a right side view thereof, the opposite side being a mirror image thereof;

FIG. 4 is a bottom view thereof;

FIG. 5 is a top view thereof;

FIG. 6 is a rear view thereof;

FIG. 7 is a front, left side and bottom perspective view of a confection with or without a stick showing a second embodiment of my new design with a stick;

FIG. 8 is a front view thereof;

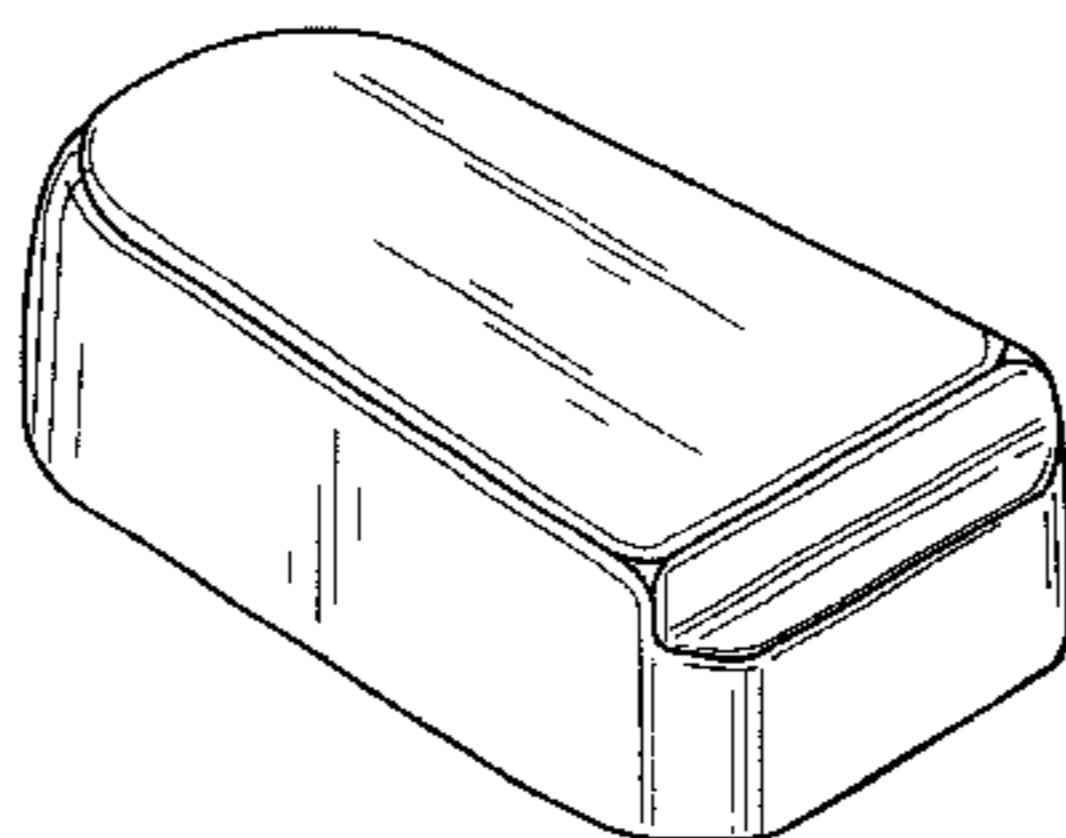
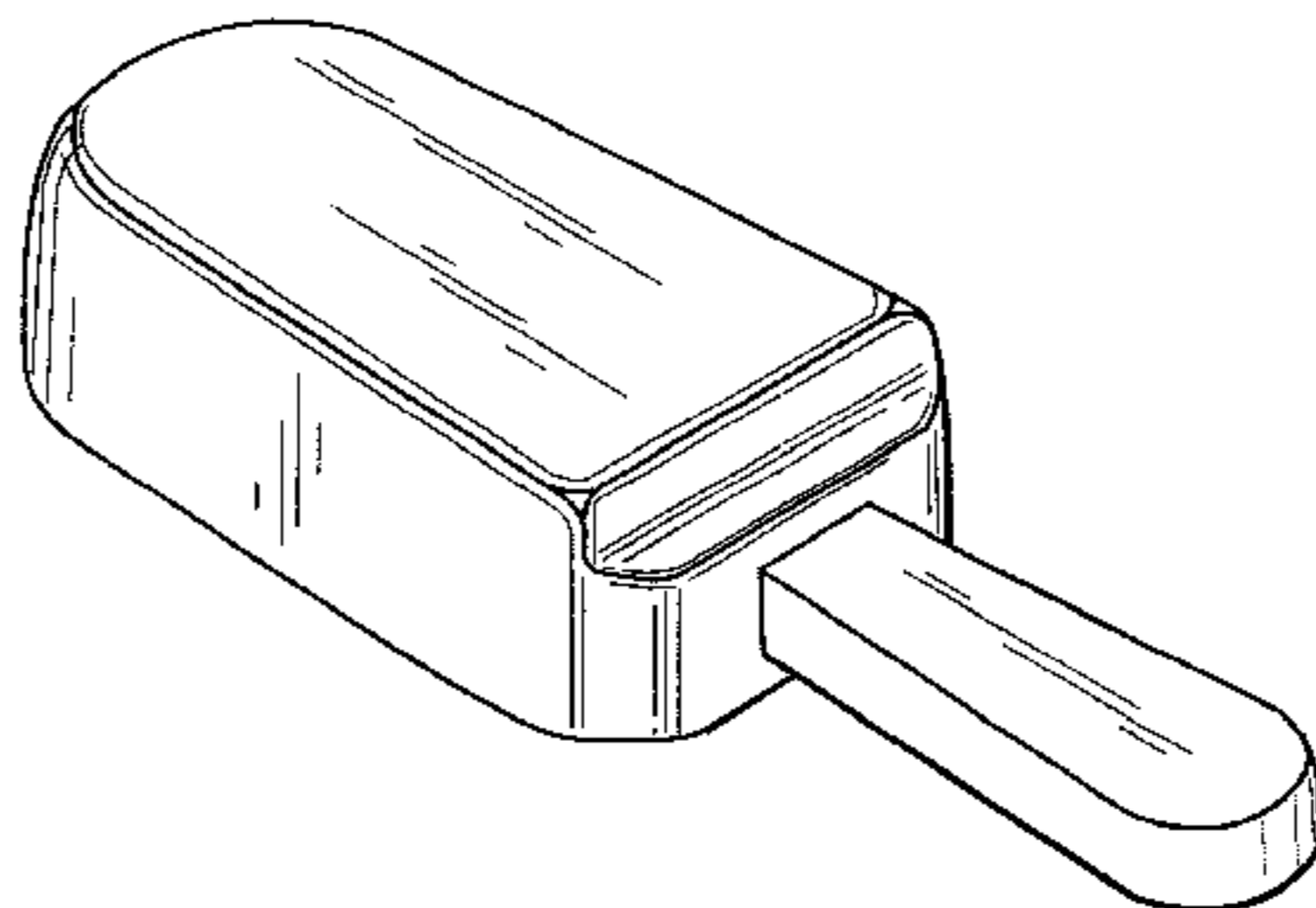
FIG. 9 is a right side view thereof, the opposite side being a mirror image thereof;

FIG. 10 is a bottom view thereof;

FIG. 11 is a top view thereof; and,

FIG. 12 is a rear view thereof.

**1 Claim, 4 Drawing Sheets**



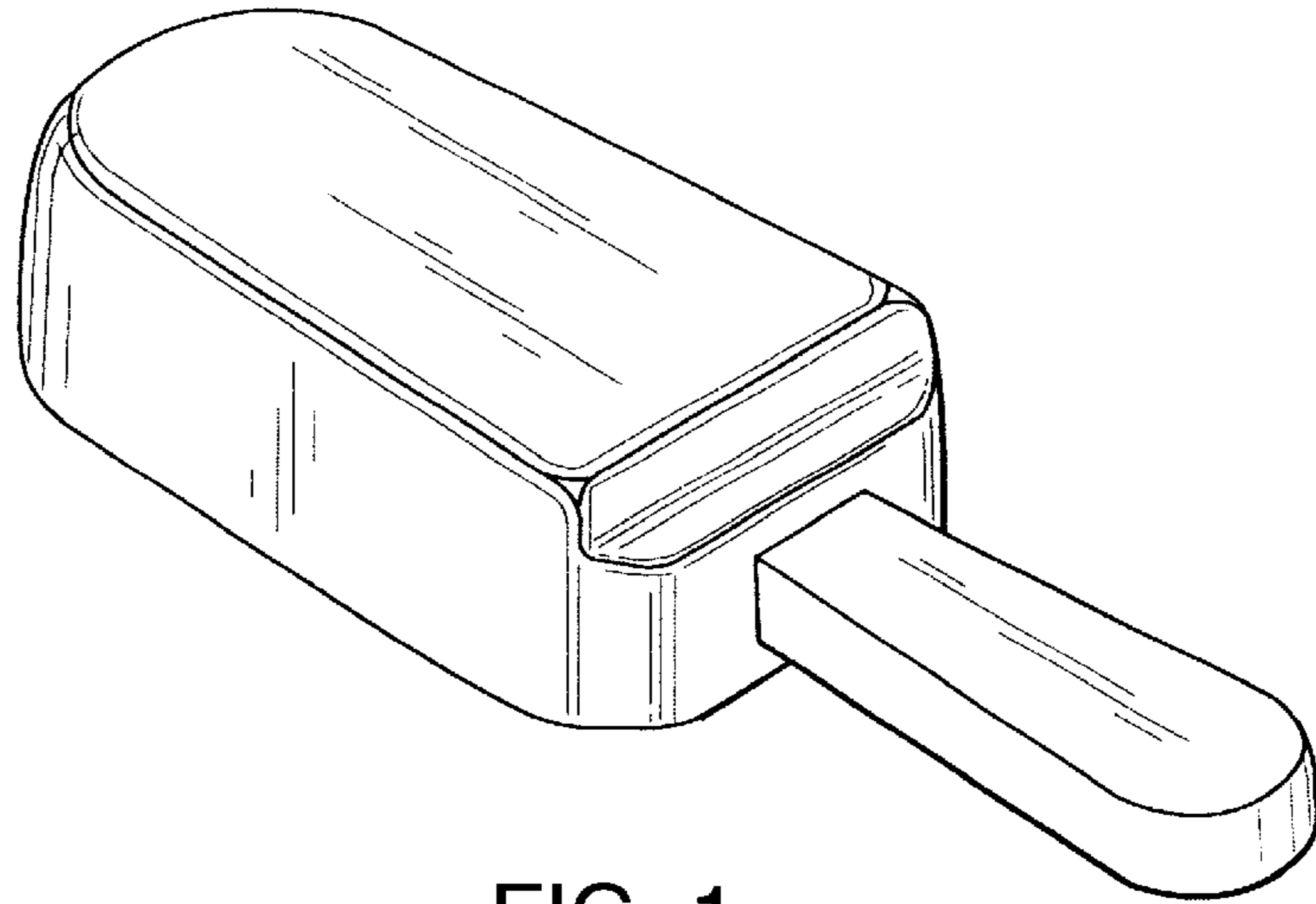


FIG. 1

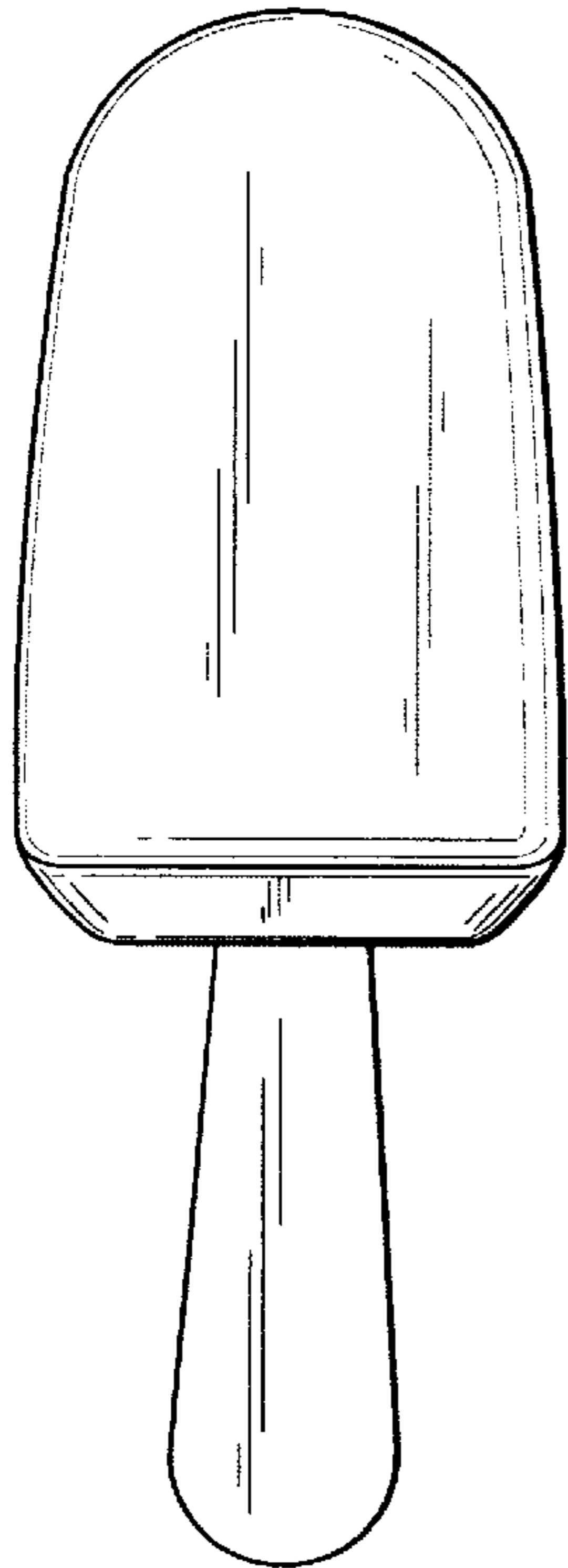


FIG. 2

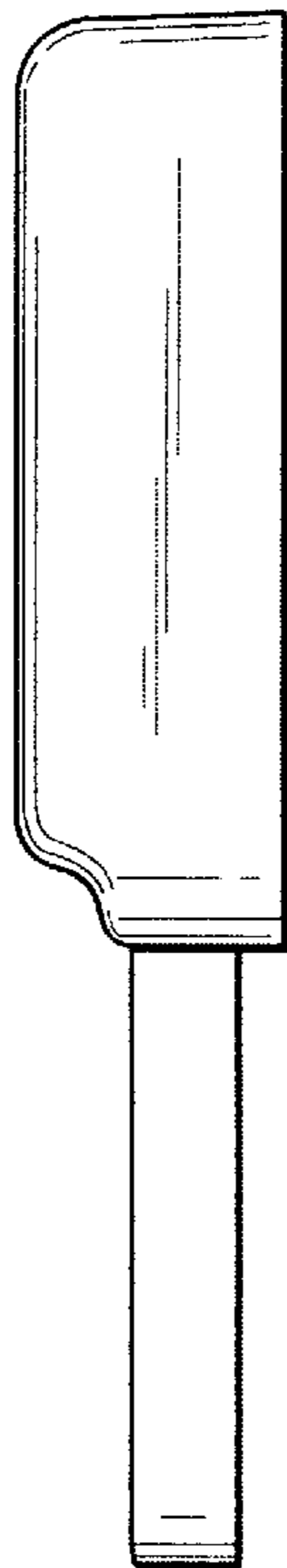


FIG. 3

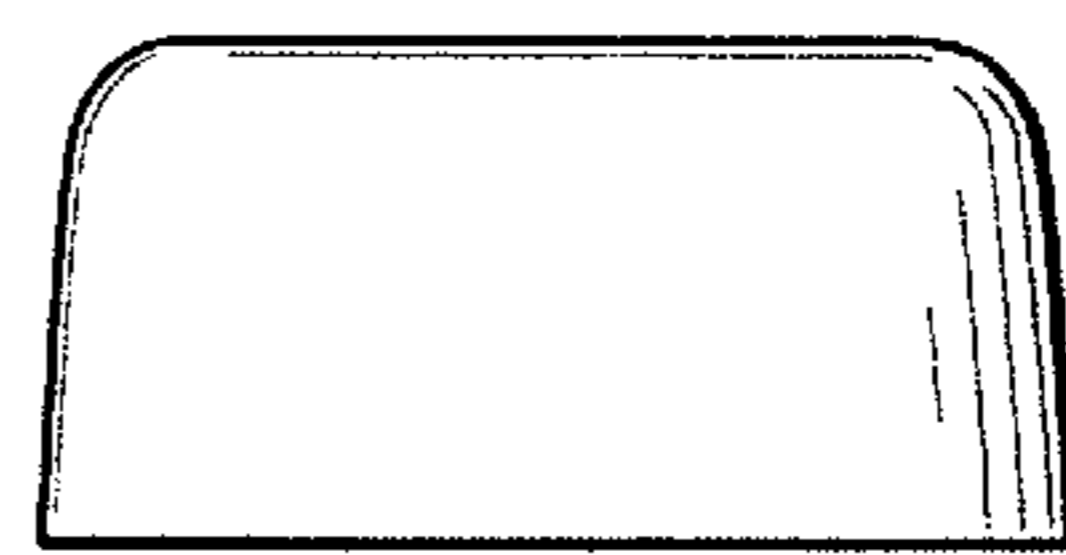


FIG. 5

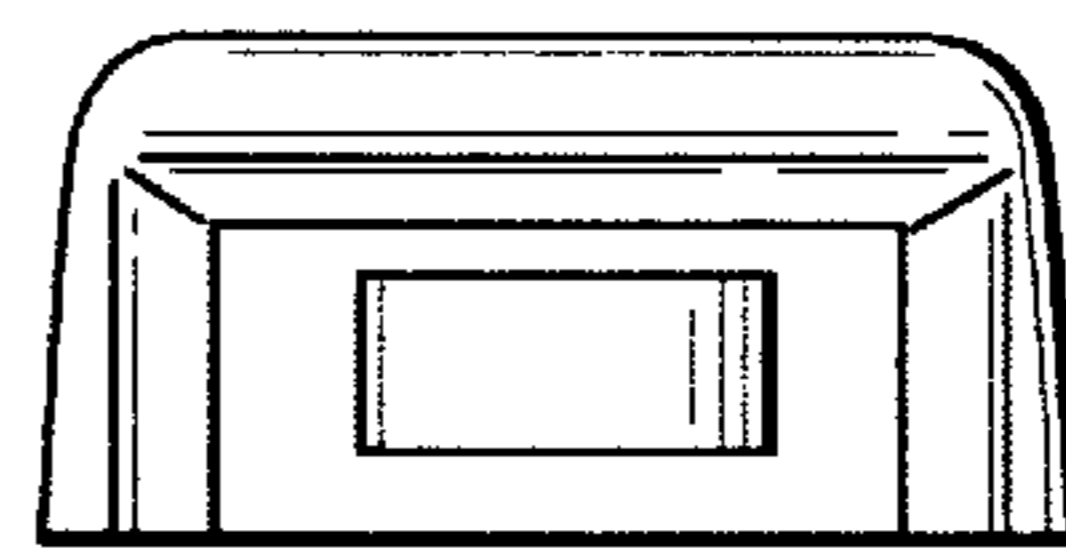


FIG. 4

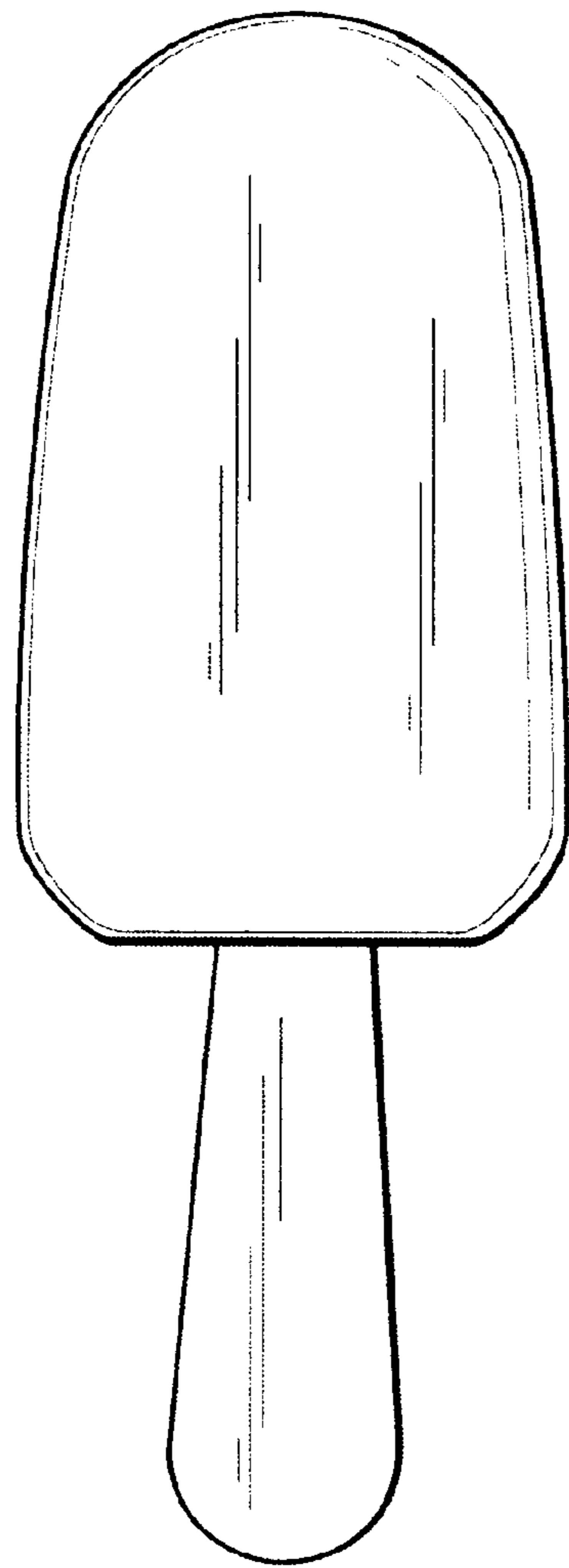


FIG. 6

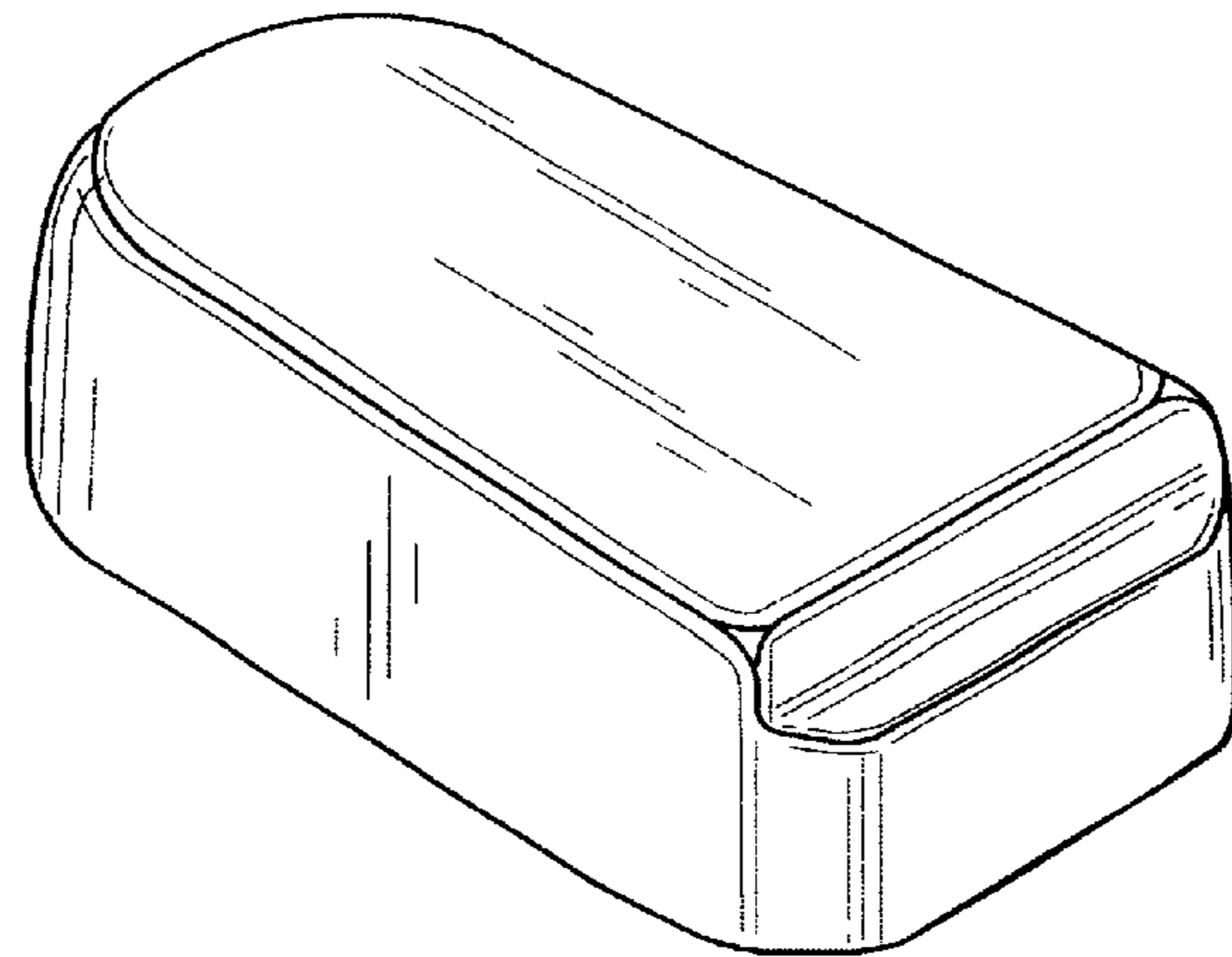


FIG. 7

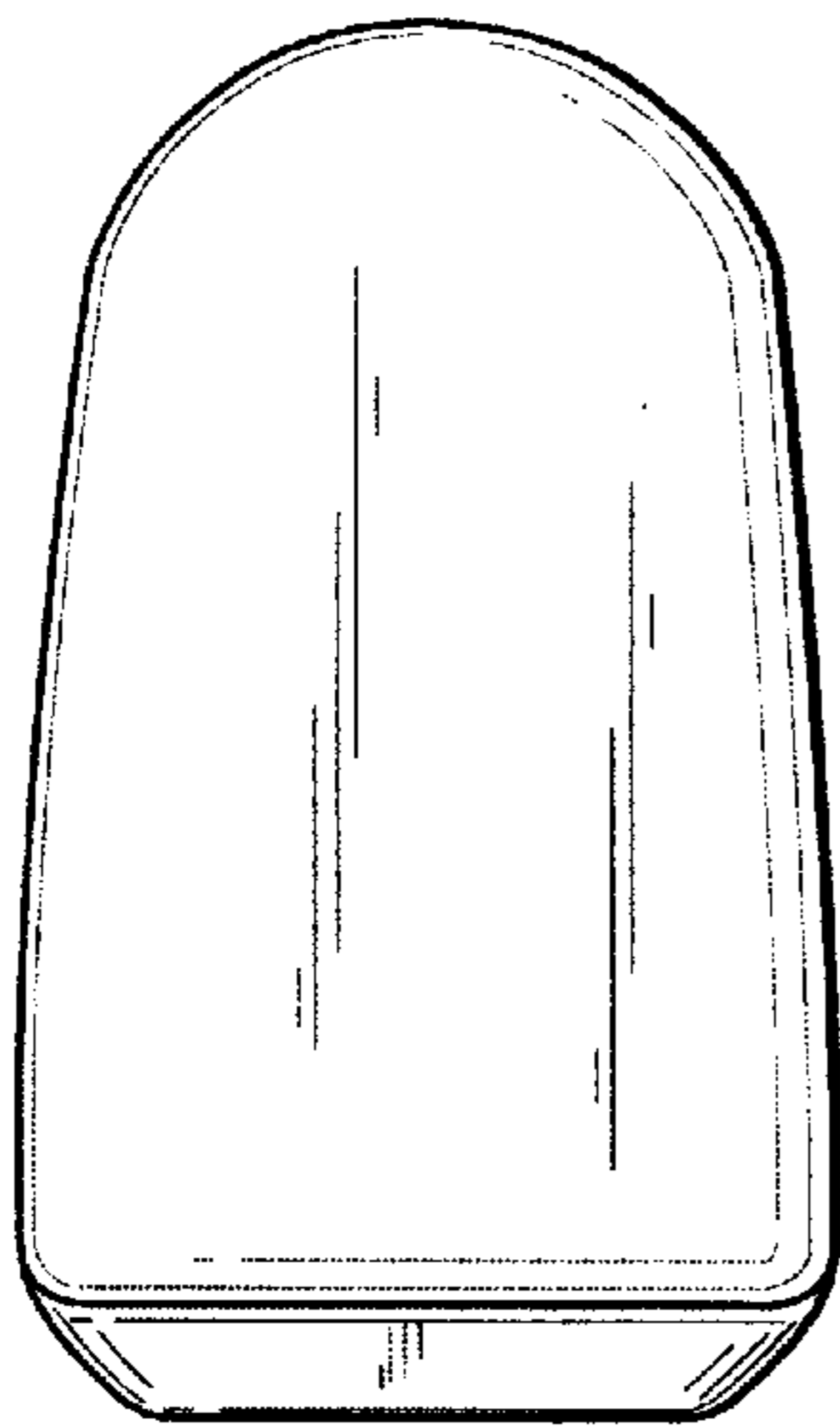


FIG. 8

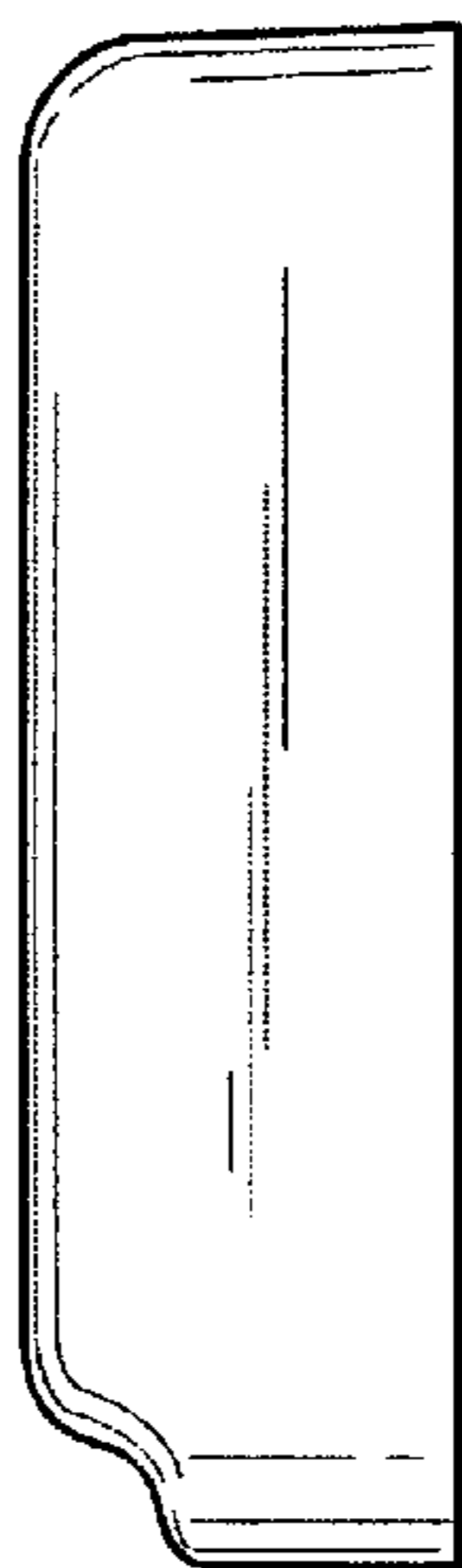


FIG. 9

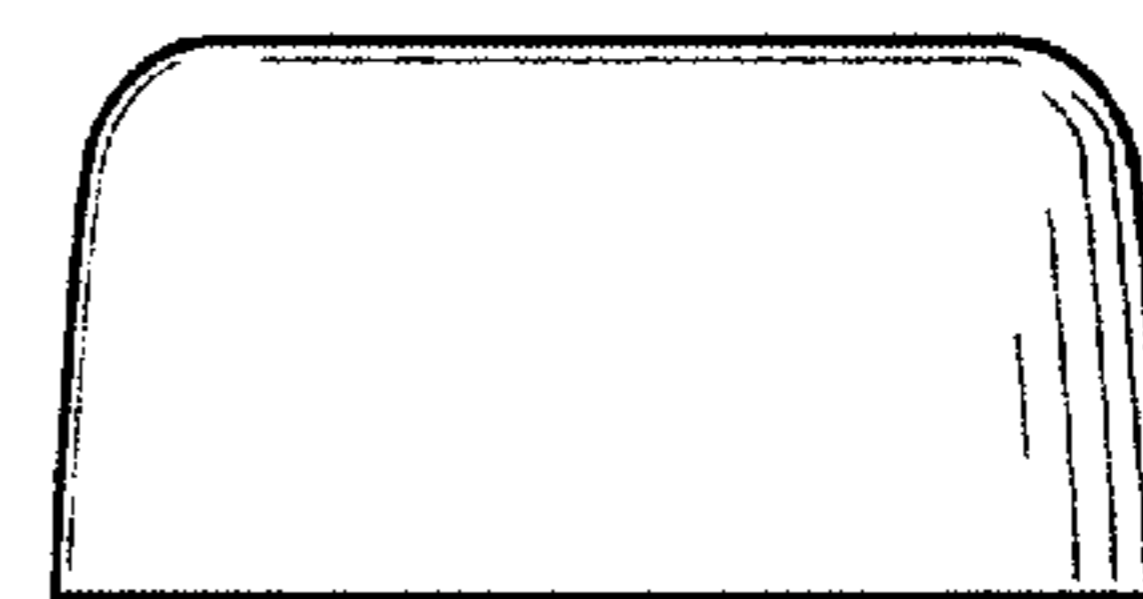


FIG. 11

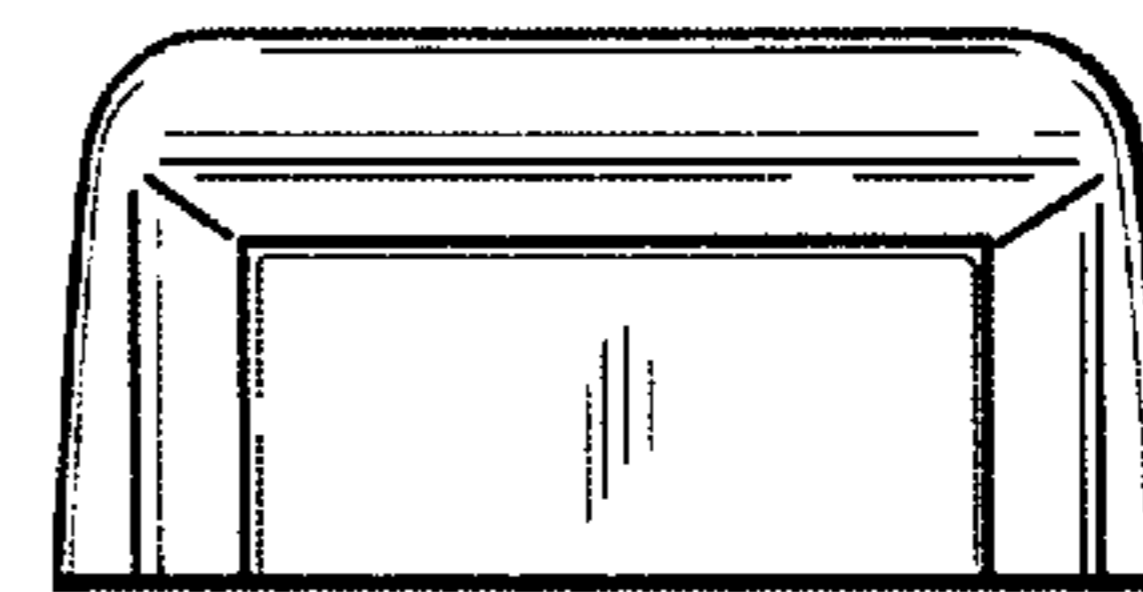


FIG. 10

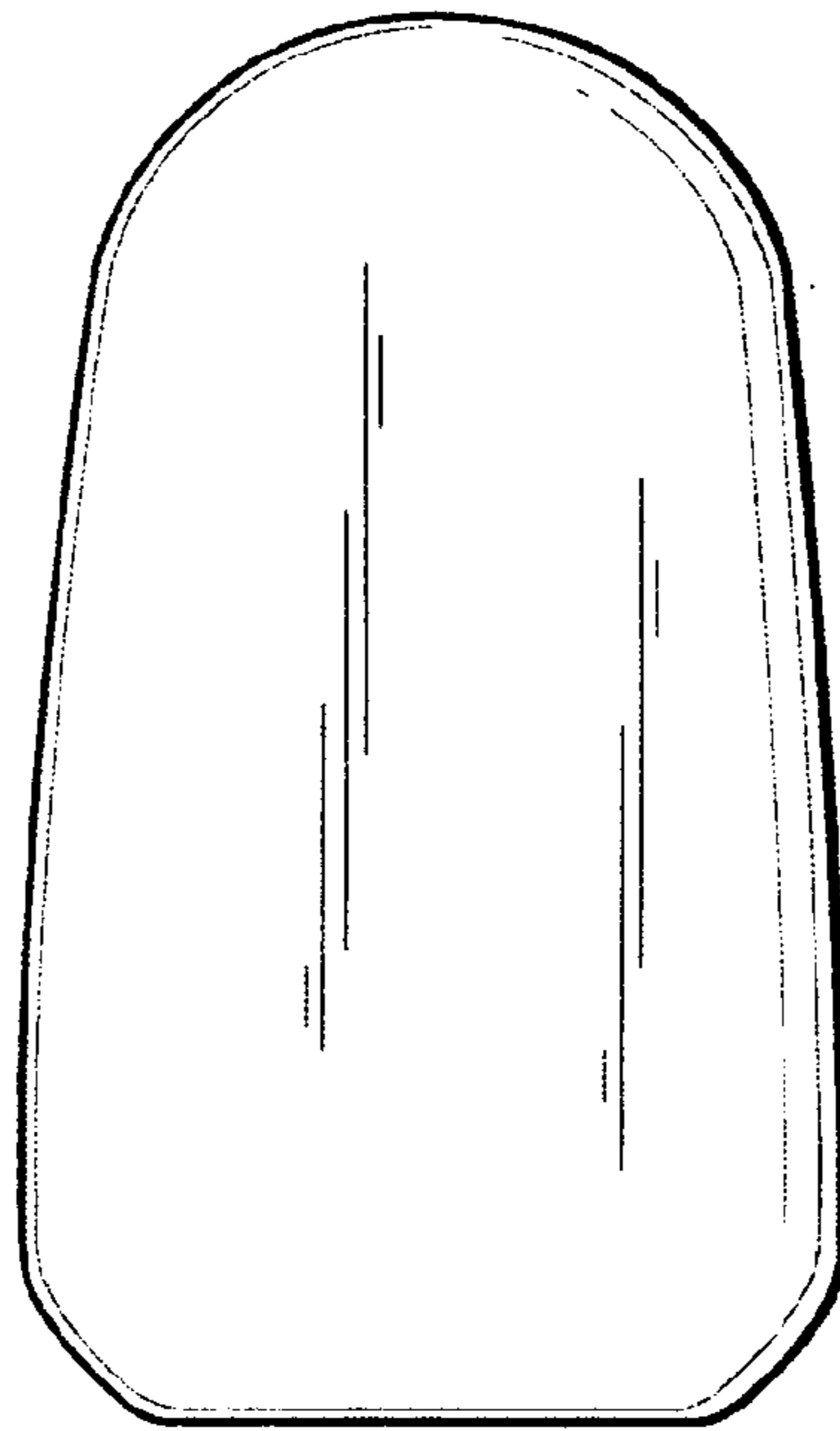


FIG. 12