

US00D544176S

(12) **United States Design Patent**
Rubin

(10) **Patent No.:** **US D544,176 S**

(45) **Date of Patent:** **** Jun. 12, 2007**

(54) **WRENCH SHAPED MINT**

(75) **Inventor:** **Edward Scott Rubin**, 1117 N. Orange Dr. #301, Los Angeles, CA (US) 90038

(73) **Assignee:** **Edward Scott Rubin**, Los Angeles, CA (US)

(**) **Term:** **14 Years**

(21) **Appl. No.:** **29/261,399**

(22) **Filed:** **Jun. 14, 2006**

(51) **LOC (8) Cl.** **01-01**

(52) **U.S. Cl.** **D1/106**

(58) **Field of Classification Search** D1/104,
D1/106-111, 199; D8/21; D21/532; D28/8.2;
D24/102; 426/104

See application file for complete search history.

(56) **References Cited**

U.S. PATENT DOCUMENTS

D297,102 S *	8/1988	McCormack	D8/22
D338,816 S *	8/1993	Malonado	D8/21
D361,102 S *	8/1995	Larsen	D21/532
D473,768 S *	4/2003	Gilmore	D8/28
D474,971 S *	5/2003	Love	D9/451
D486,367 S *	2/2004	Tillet	D8/28
D488,037 S *	4/2004	Tuanmu	D8/25
D489,161 S *	5/2004	Hague	D1/106

D496,238 S *	9/2004	Hsien	D8/28
D519,009 S *	4/2006	Hsieh	D8/28
D530,220 S *	10/2006	Rubin	D9/679

OTHER PUBLICATIONS

The Confectioner's Art, by the American Craft Museum, © 1988, p. 70.*

Confectioners' Machinery and Tools: Catalogue X, by Thos. Mills & Bro. Incorporated, Brookhaven Press, WI, 1952, pp. 41 and 43.*

* cited by examiner

Primary Examiner—Robin Webster

Assistant Examiner—Karen E. Kearney

(57) **CLAIM**

The ornamental design for a wrench shaped mint, as shown and described.

DESCRIPTION

FIG. 1 is a perspective view of a wrench shaped food product showing my new design;

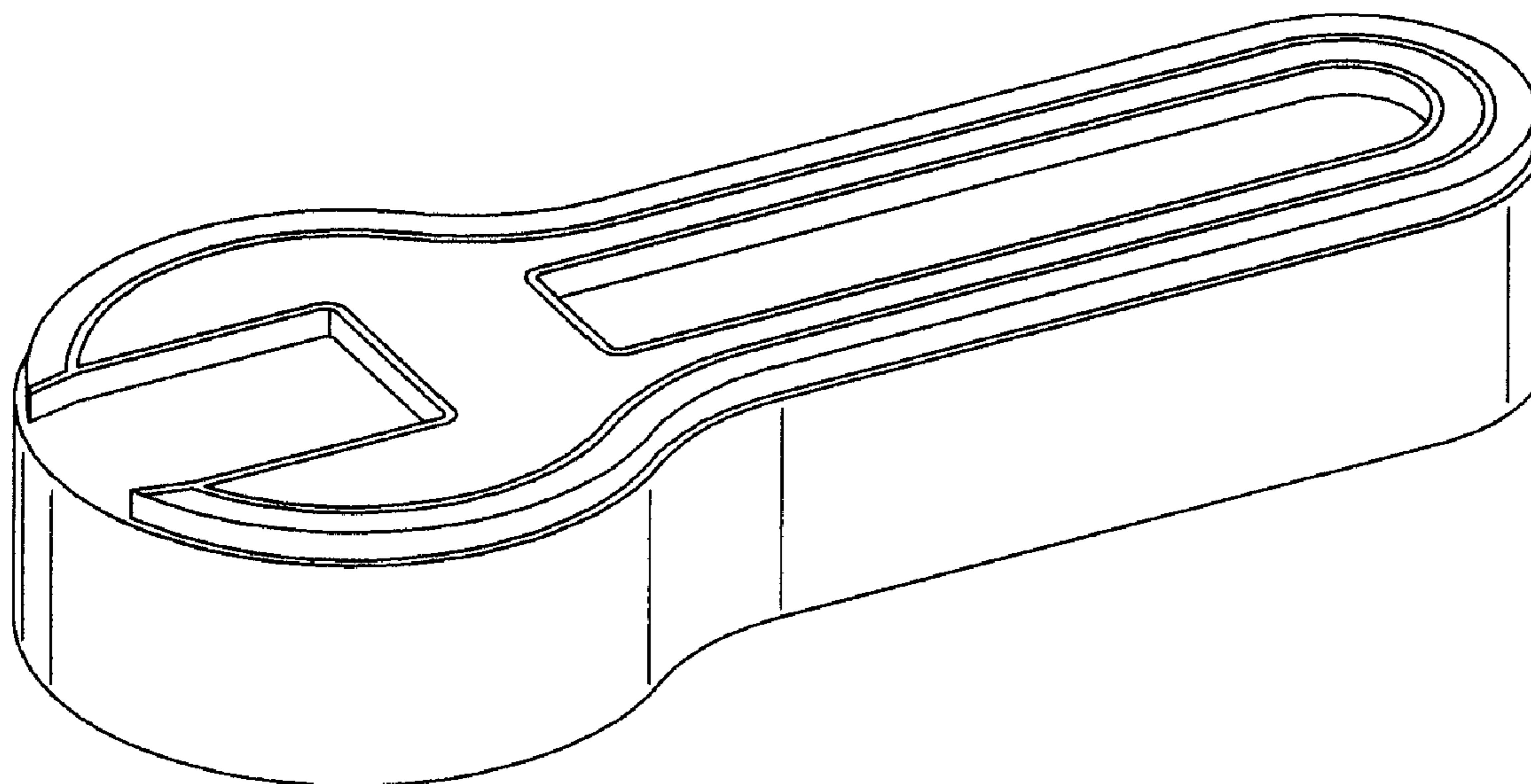
FIG. 2 is a top plan view thereof;

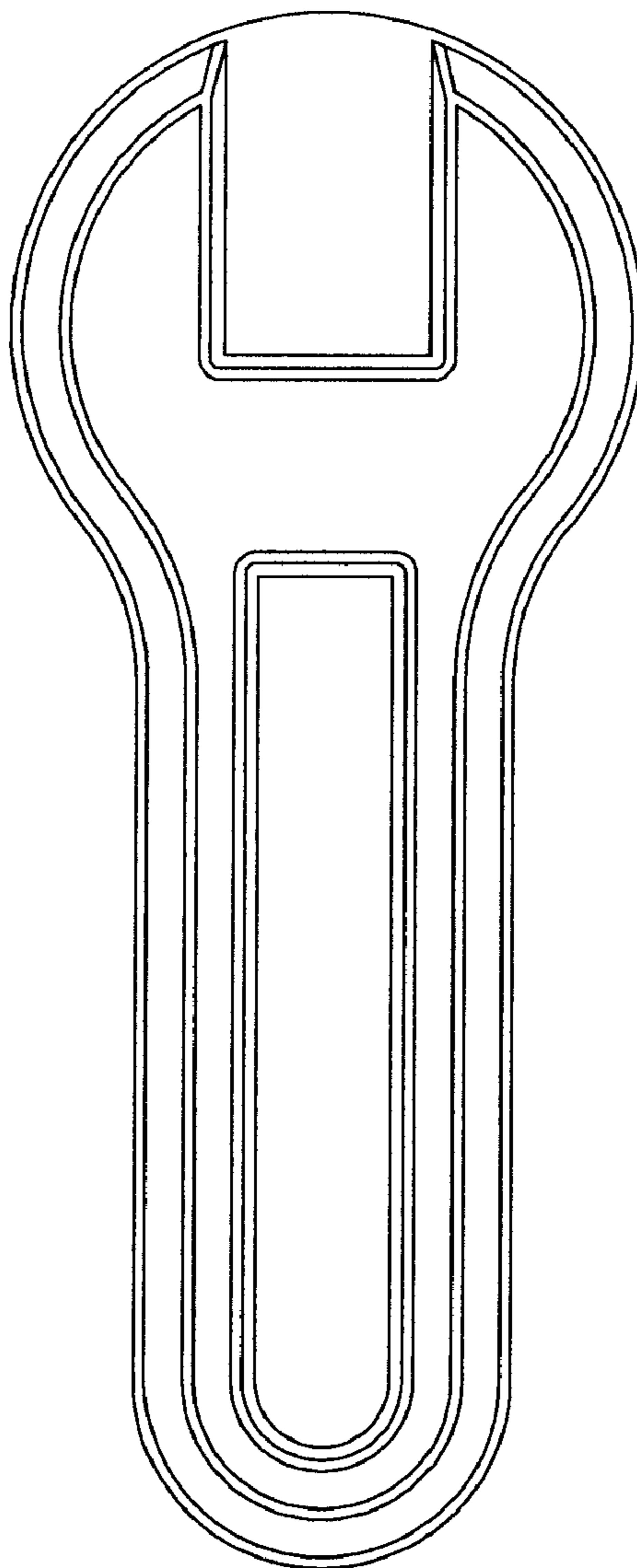
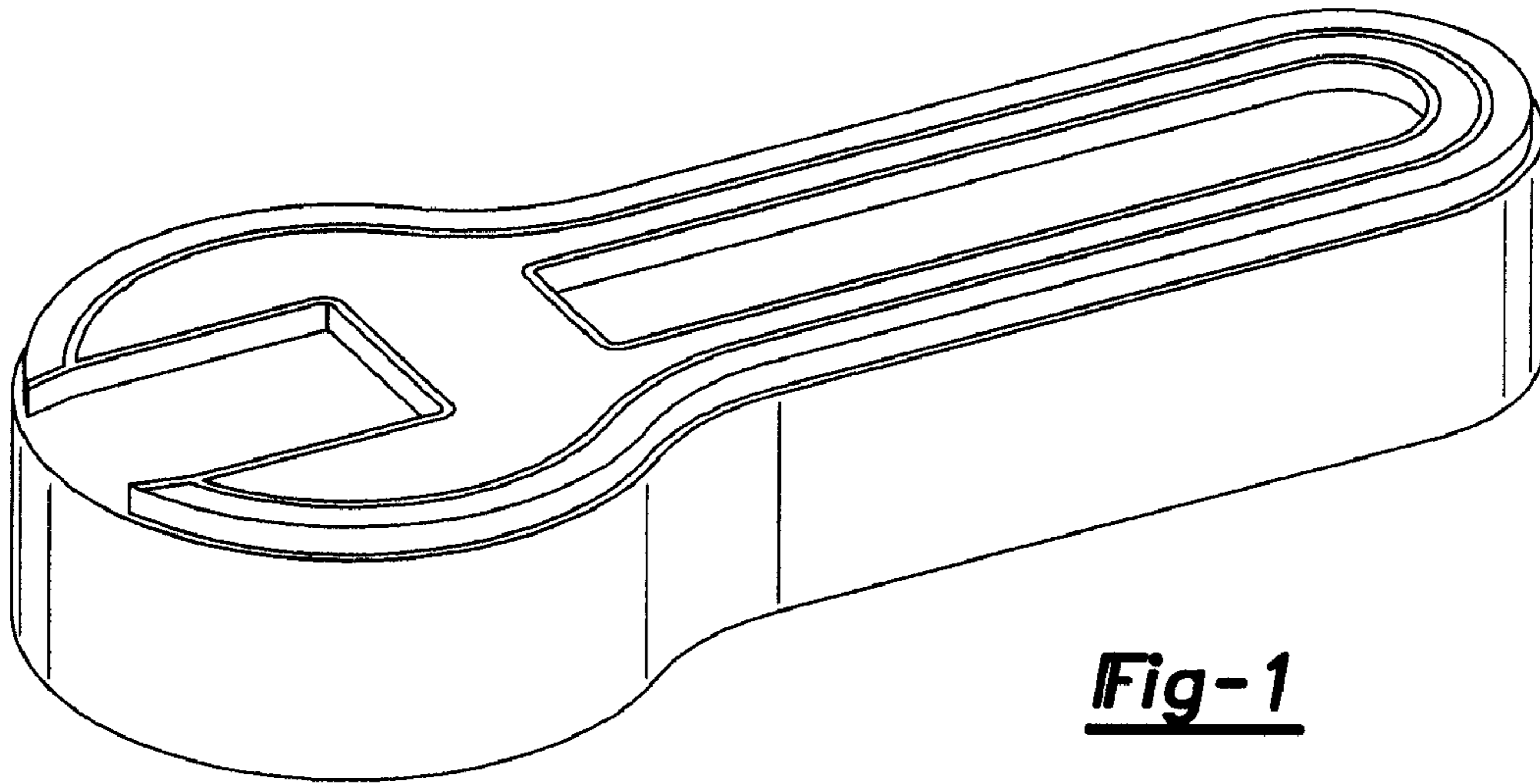
FIG. 3 is a front plan view thereof;

FIG. 4 is a rear plan view thereof; and,

FIG. 5 is a right side view thereof, the left side view being identical.

1 Claim, 2 Drawing Sheets





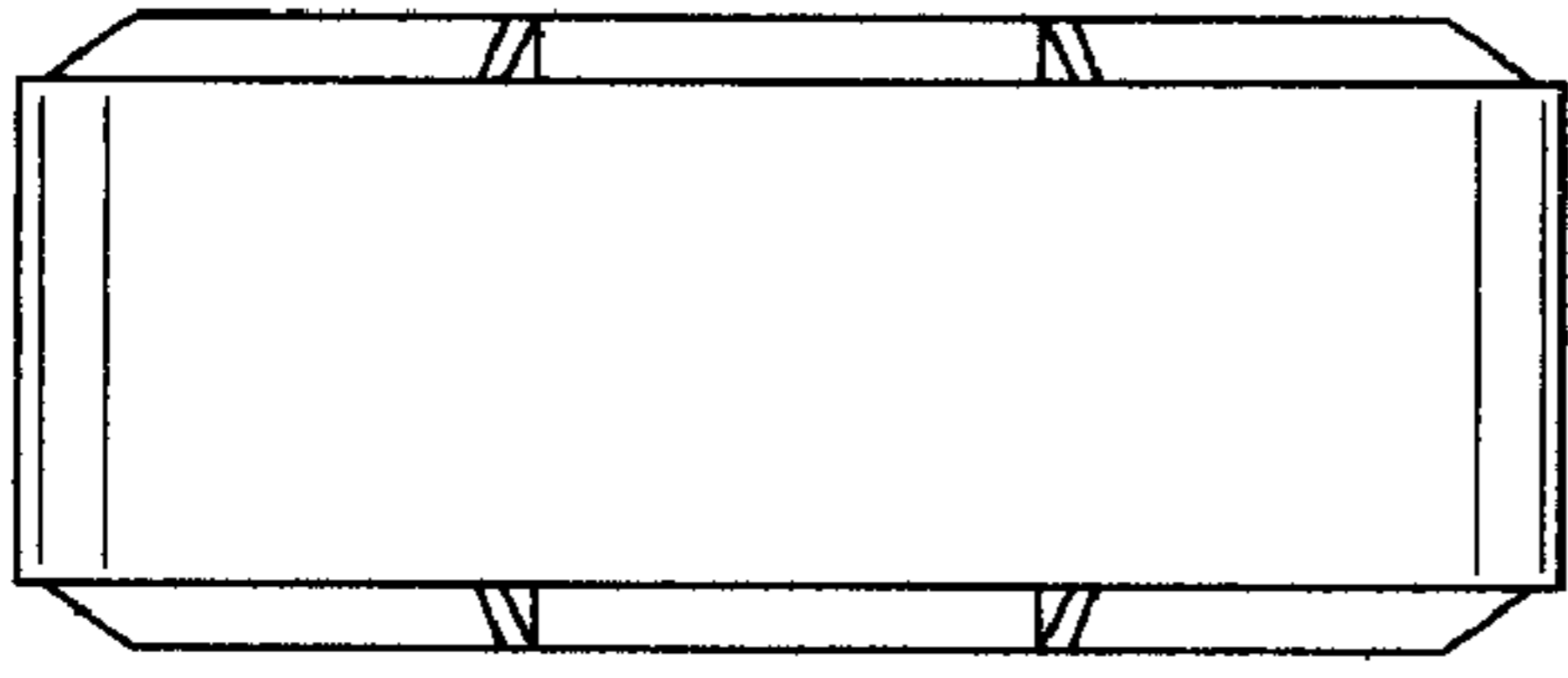


Fig-3

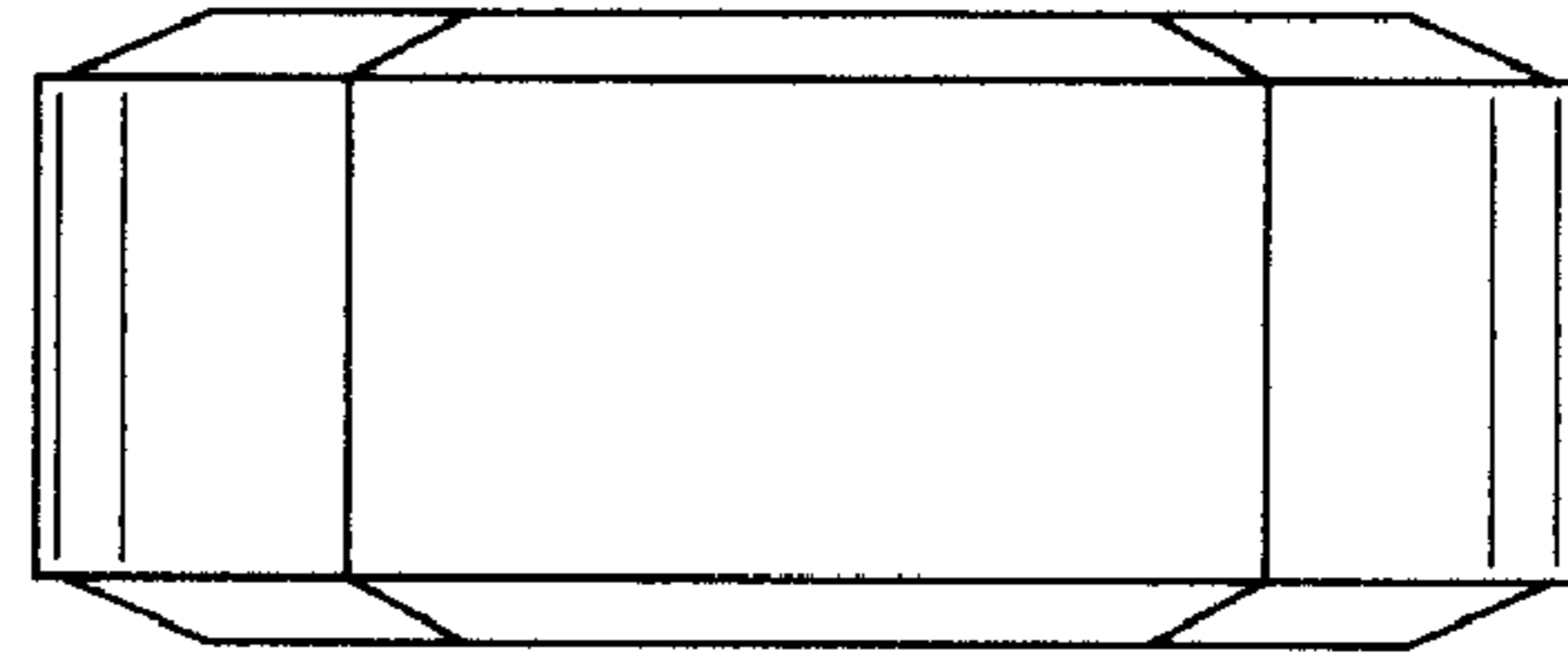


Fig-4

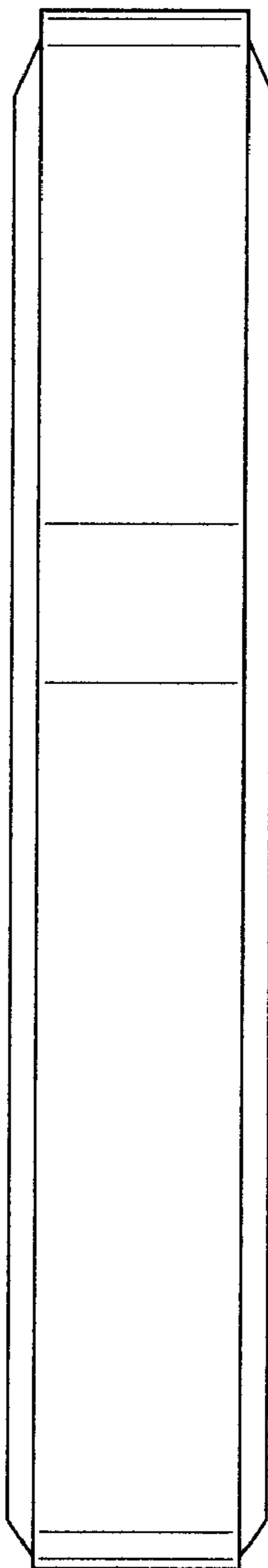


Fig-5