



US00D544173S

(12) **United States Design Patent**
Mullen et al.

(10) **Patent No.:** **US D544,173 S**
(45) **Date of Patent:** **** Jun. 5, 2007**

(54) **WHEELBARROW WITH PIVOTING HOPPER**

(75) Inventors: **Joshua O. Mullen**, Duncannon, PA (US); **Jeffrey M. Norton**, Lebanon, PA (US)

(73) Assignee: **Ames True Temper, Inc.**, Camp Hill, PA (US)

(**) Term: **14 Years**

(21) Appl. No.: **29/257,644**

(22) Filed: **Apr. 7, 2006**

(51) **LOC (8) Cl.** **12-02**

(52) **U.S. Cl.** **D34/16**

(58) **Field of Classification Search** D34/12-27;
280/47.24, 47.26, 47.12, 47.18, 17.31; 180/19.1,
180/19.3

See application file for complete search history.

(56) **References Cited**

U.S. PATENT DOCUMENTS

1,032,009 A	7/1912	Long	
1,544,769 A	7/1925	Nalder	
2,852,304 A	9/1958	Harrison	
2,973,224 A	2/1961	Wall, Sr.	
3,604,753 A	9/1971	Couture	
4,270,786 A	6/1981	Mattox	
D261,125 S *	10/1981	Gordon et al. D34/24
4,335,897 A	6/1982	Muller, Jr.	
4,740,008 A	4/1988	Johnson	

4,789,171 A	12/1988	Porter	
5,215,355 A	6/1993	Klumpjan	
5,372,376 A	12/1994	Pharaoh	
5,395,163 A	3/1995	Mandell et al.	
5,458,356 A	10/1995	Fedorko et al.	
D388,580 S *	12/1997	Havlovitz D34/19
5,915,706 A	6/1999	Mosley	
D487,325 S *	3/2004	Nelsen et al. D34/16
D527,157 S *	8/2006	Boon D34/16
2002/0113389 A1	8/2002	Robinson	

* cited by examiner

Primary Examiner—Cynthia E. Ramirez

(74) *Attorney, Agent, or Firm*—David C. Jenkins; Eckert Seamans Cherin & Mellott, LLC

(57) **CLAIM**

The ornamental design for a wheelbarrow with pivoting hopper, as shown and described.

DESCRIPTION

FIG. 1 is an isometric view of the wheelbarrow with pivoting arcuate hopper showing our new design;

FIG. 2 is a front view of the wheelbarrow;

FIG. 3 is a back view of the wheelbarrow;

FIG. 4 is a first side view of the wheelbarrow;

FIG. 5 is a second side view of the wheelbarrow;

FIG. 6 is a top view of the wheelbarrow; and,

FIG. 7 is a bottom view of the wheelbarrow.

1 Claim, 4 Drawing Sheets





FIG. 1

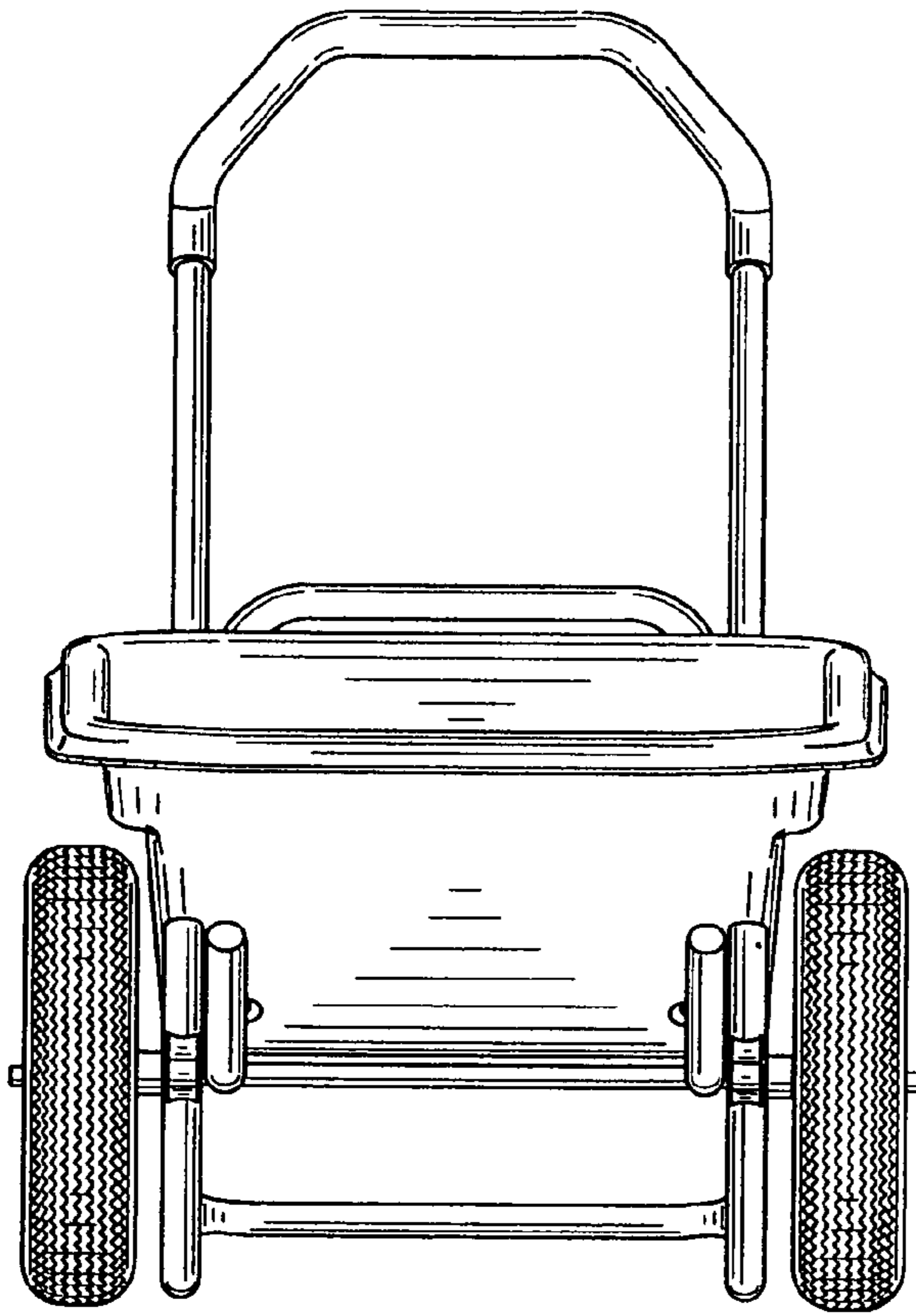


FIG. 2

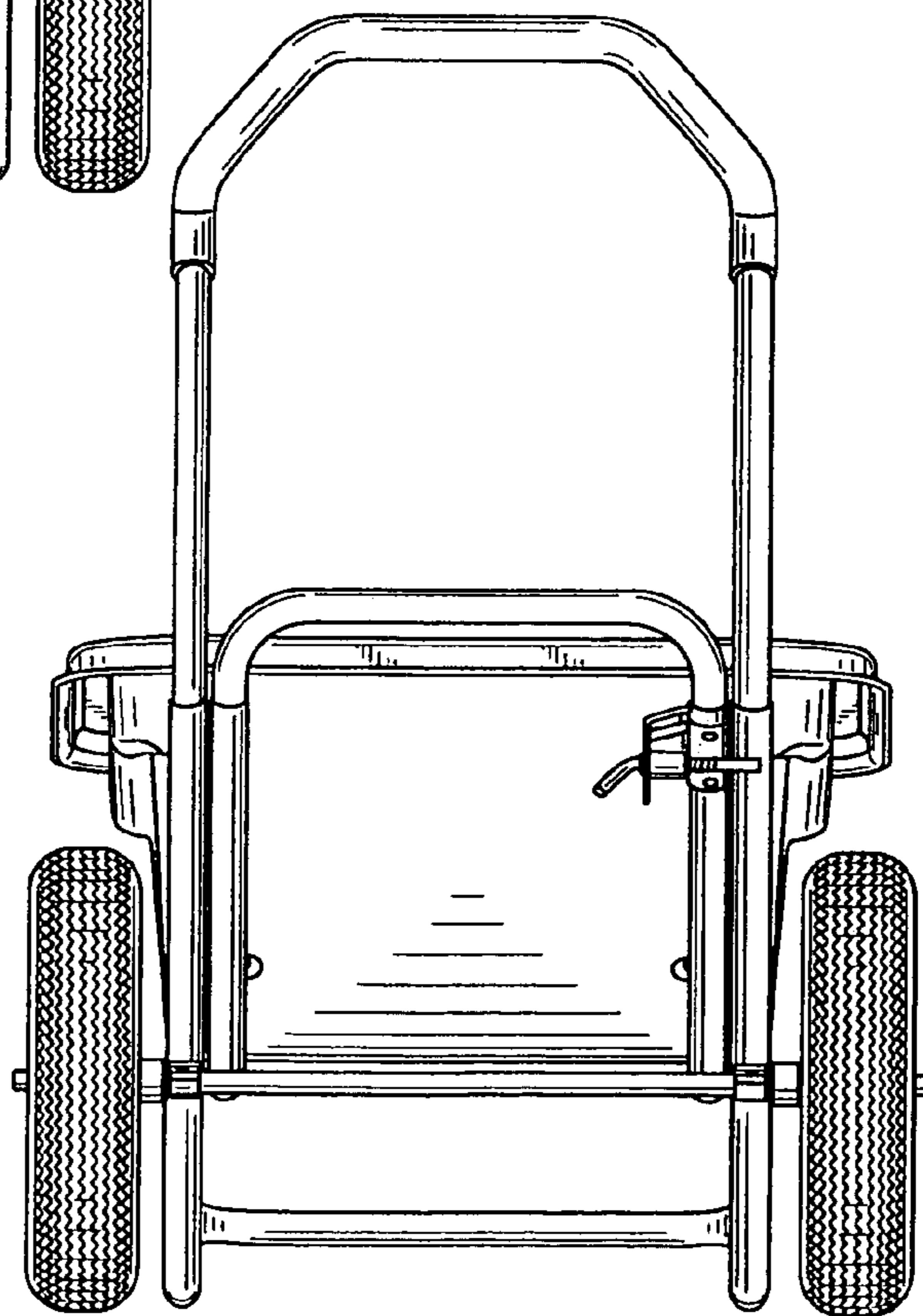


FIG. 3

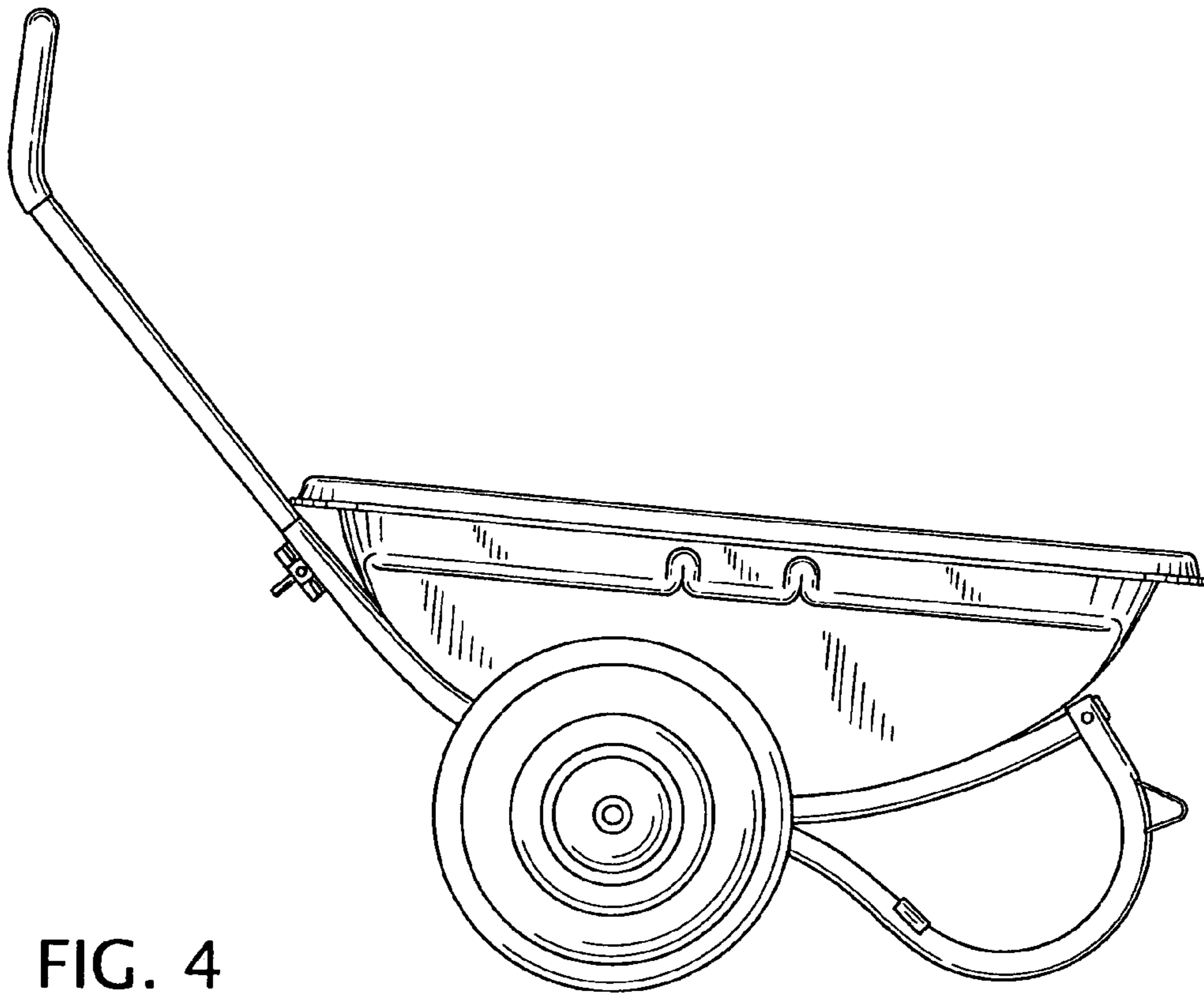


FIG. 4

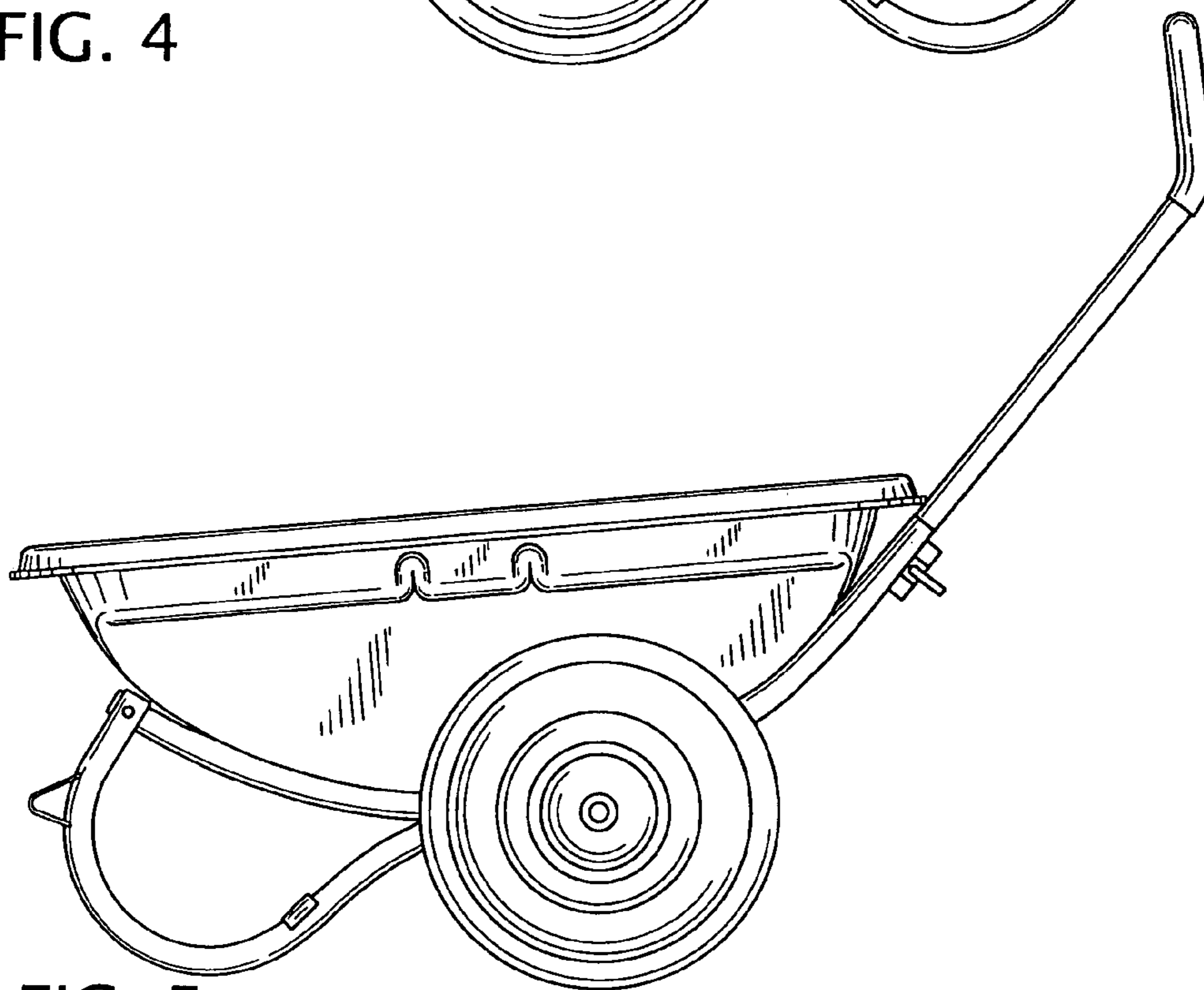


FIG. 5

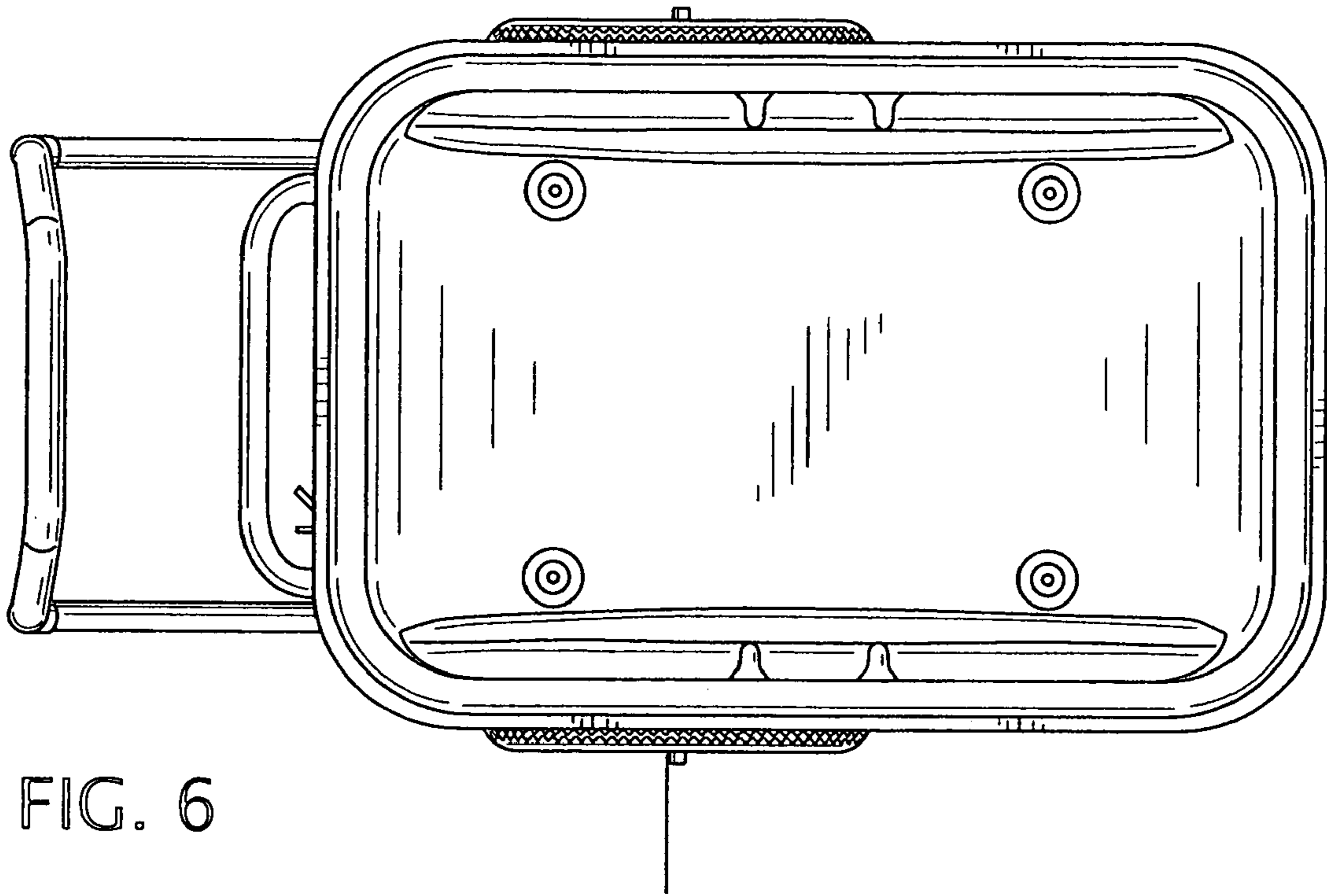


FIG. 6

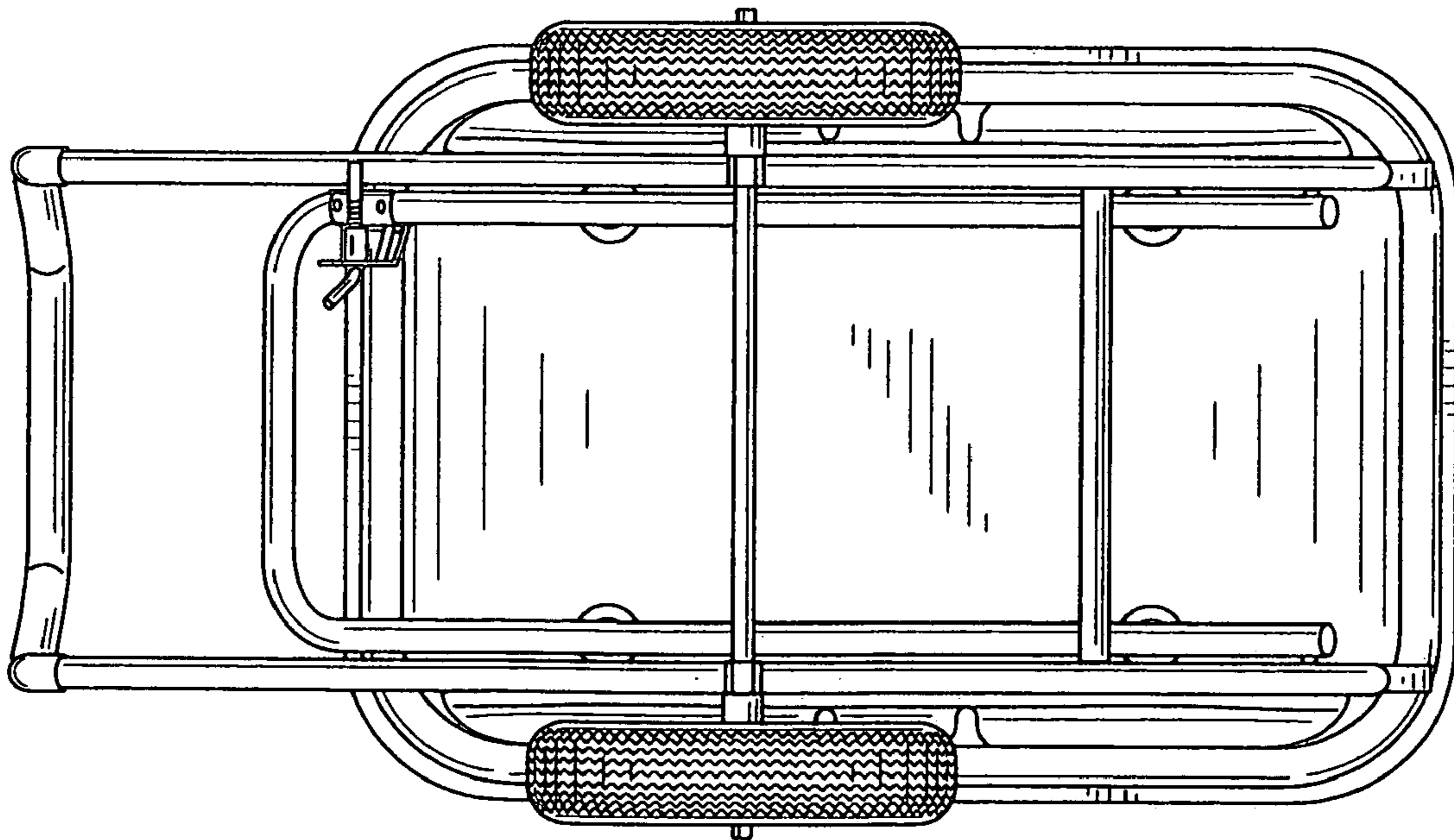


FIG. 7