



US00D544172S

(12) **United States Design Patent**
Yang et al.

(10) **Patent No.:** **US D544,172 S**
(45) **Date of Patent:** **** Jun. 5, 2007**

- (54) **PEDAL FOR USE WITH TRASH CANS**
- (75) Inventors: **Frank Yang**, Rancho Palos Verdes, CA (US); **Tzu-Hao Wei**, Hacienda Heights, CA (US)
- (73) Assignee: **Simplehuman LLC**, Los Angeles, CA (US)
- (**) **Term: 14 Years**

- D447,611 S 9/2001 Lin
- D450,901 S 11/2001 Lin
- D452,356 S 12/2001 Zimmerman
- D453,252 S 1/2002 Lin
- D453,600 S 2/2002 Lin
- D453,870 S 2/2002 Lin
- D454,239 S 3/2002 Lin
- 6,386,386 B1 5/2002 George
- D465,893 S 11/2002 Lin
- D470,639 S 2/2003 Quan
- D472,688 S 4/2003 Lin

(21) Appl. No.: **29/230,993**

(Continued)

(22) Filed: **May 31, 2005**

Primary Examiner—Cynthia E. Ramirez

(51) **LOC (8) Cl.** **09-09**

(74) *Attorney, Agent, or Firm*—Raymond Sun

(52) **U.S. Cl.** **D34/10; D34/9**

(57) **CLAIM**

(58) **Field of Classification Search** D34/1,
D34/7, 9, 10, 11; 220/908, 262–264; 74/512;
D8/499; 338/153; 200/86.5, 335

The ornamental design for a pedal for use with trash cans, as shown and described.

See application file for complete search history.

DESCRIPTION

(56) **References Cited**

FIG. 1 is a perspective view of a first embodiment of a pedal for use with trash cans.

U.S. PATENT DOCUMENTS

- 1,479,634 A 1/1924 Toscan
- 1,966,323 A 7/1934 Von Elm
- 2,246,975 A 6/1941 Geibel
- D191,546 S 10/1961 Garner
- 3,008,504 A 11/1961 Garner
- 3,023,922 A 3/1962 Arrington et al.
- 3,450,297 A 6/1969 Clerk
- D215,617 S 10/1969 Heck
- D229,473 S 12/1973 Henry
- D241,499 S 9/1976 Raftery
- D261,720 S 11/1981 Brazis
- D319,905 S 9/1991 Hotchkiss
- D322,350 S 12/1991 Craft et al.
- D327,756 S 7/1992 Klein et al.
- D332,852 S 1/1993 Delmerico
- 5,249,693 A 10/1993 Gillispie et al.
- D355,740 S 2/1995 Kirchner
- D360,062 S 7/1995 Mosior
- 5,531,348 A 7/1996 Baker et al.
- D380,114 S 6/1997 Albright
- D381,784 S 7/1997 Keller et al.
- D435,951 S 1/2001 Yang et al.

FIG. 2 is a top plan view of the pedal of FIG. 1

FIG. 3 is a front plan view of the pedal of FIG. 1.

FIG. 4 is a left side plan view of the pedal of FIG. 1, the right side view being symmetrical thereto.

FIG. 5 is a perspective view of a second embodiment of a pedal for a trash can.

FIG. 6 is a top plan view of the pedal of FIG. 5.

FIG. 7 is a perspective view of a third embodiment of a pedal for a trash can.

FIG. 8 is a top plan view of the pedal of FIG. 7.

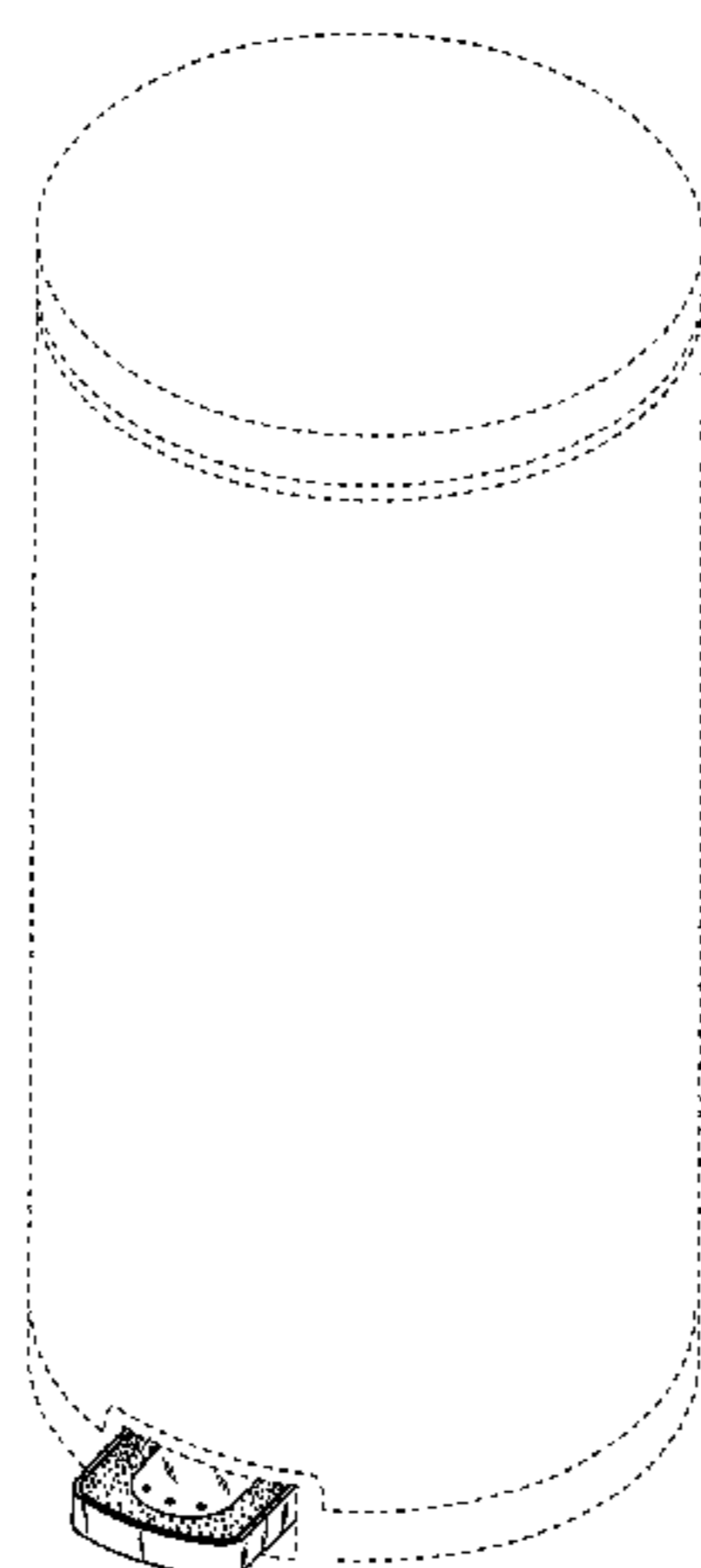
FIG. 9 is a perspective view of a fourth embodiment of a pedal for a trash can; and,

FIG. 10 is a top plan view of the pedal of FIG. 9.

The trash can is shown in broken lines for illustrative purposes only and forms no part of the claimed design.

The front plan view and the side plan views for the second, third and fourth embodiments are identical to the views in FIGS. 3 and 4.

1 Claim, 10 Drawing Sheets



US D544,172 S

Page 2

U.S. PATENT DOCUMENTS

D476,460 S	6/2003	Lin	
D480,193 S	9/2003	Wang	
6,626,316 B2	9/2003	Yang	
D481,187 S	10/2003	Sofy et al.	
D481,508 S	10/2003	Wang	
D482,169 S	11/2003	Lin	
D482,832 S	11/2003	Lin	
D482,833 S	11/2003	Lin	
D486,285 S	* 2/2004	Kuo D34/9
D489,857 S	* 5/2004	Yang et al. D34/9
D493,931 S	* 8/2004	Lin D34/9
D513,818 S	* 1/2006	Verbeek D34/10
D516,264 S	* 2/2006	Verbeek D34/10
D517,764 S	* 3/2006	Wang D34/9
D518,266 S	* 3/2006	Yang et al. D34/9
D522,204 S	* 5/2006	Lin D34/9
D522,206 S	* 5/2006	Yang D34/10
D525,756 S	* 7/2006	Yang et al. D34/9
7,086,550 B2	* 8/2006	Yang et al. 220/263

* cited by examiner

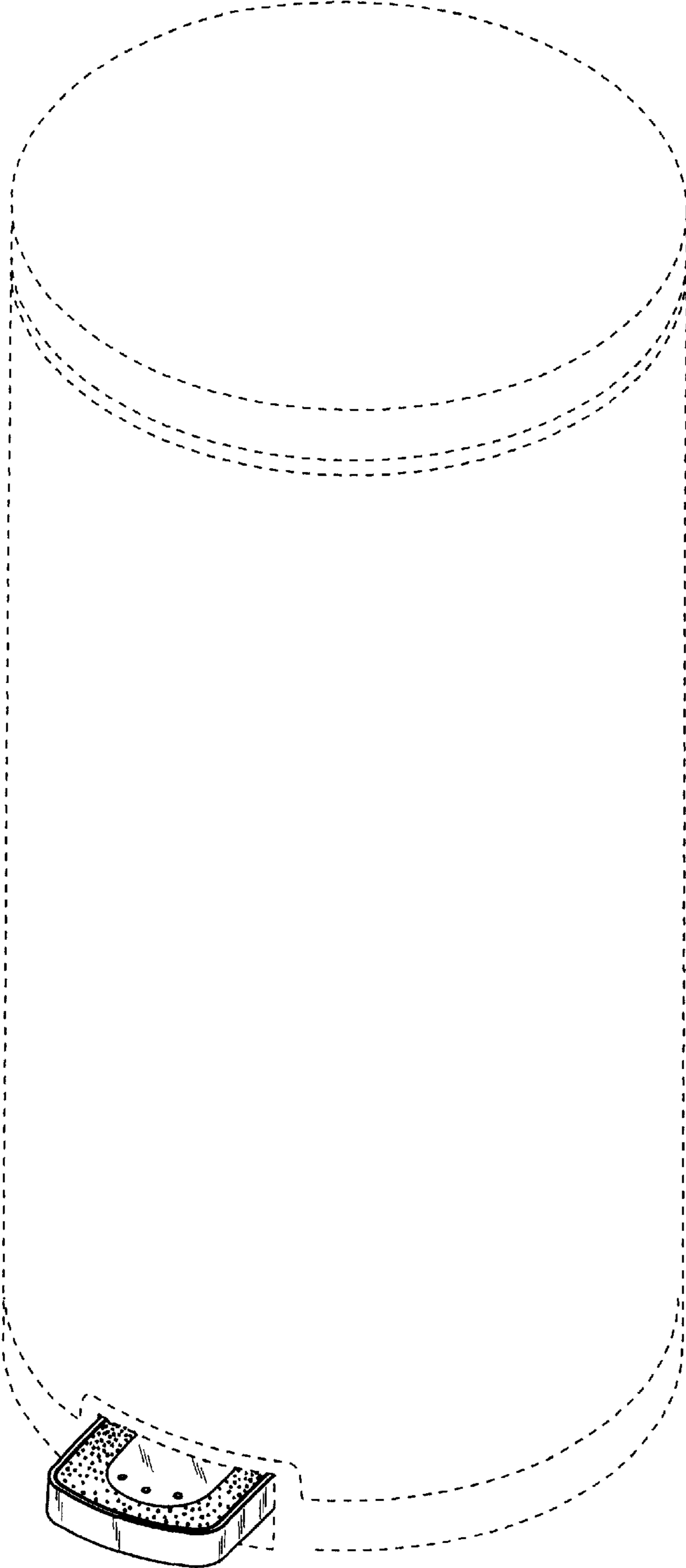


FIG. 1

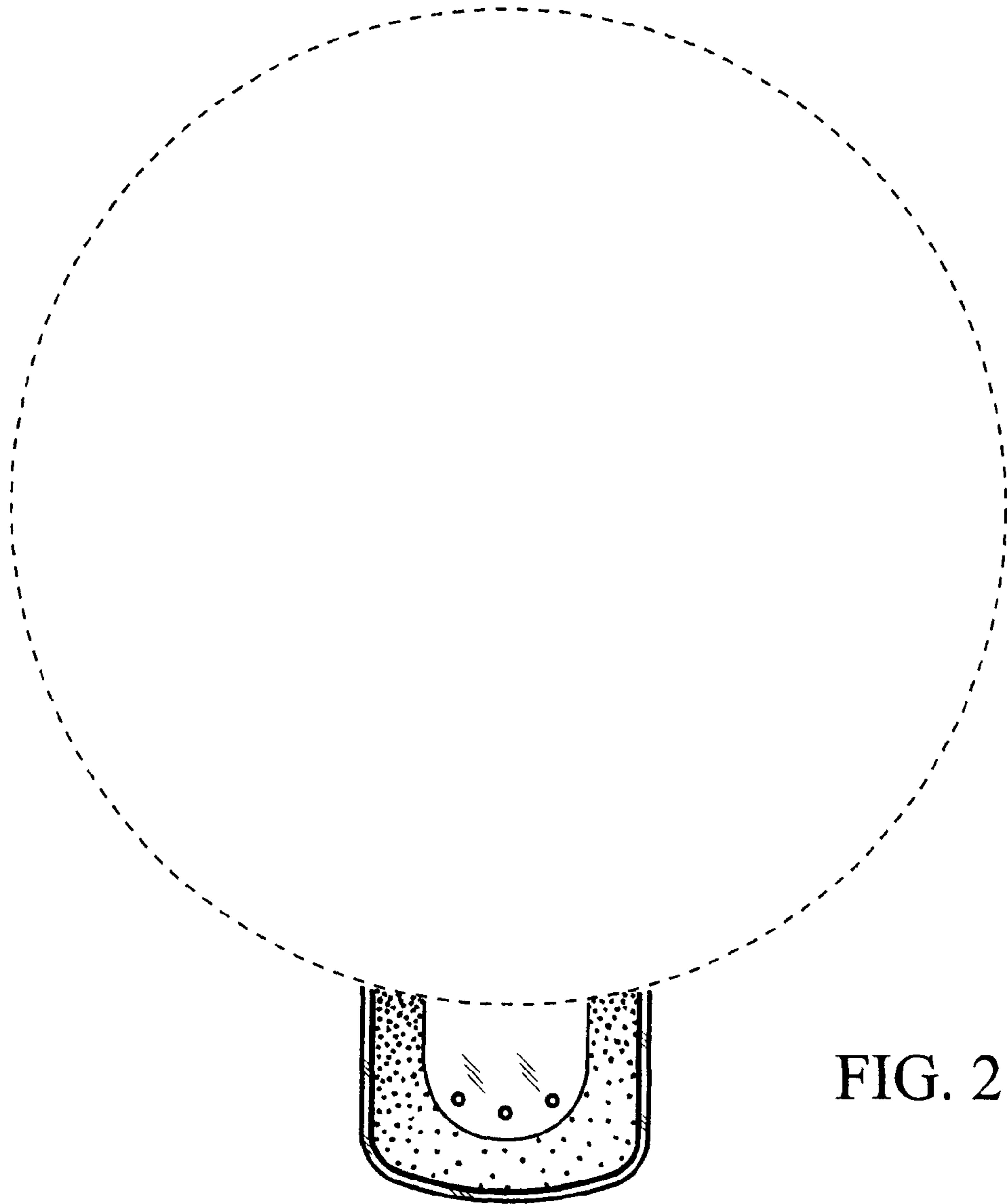


FIG. 2

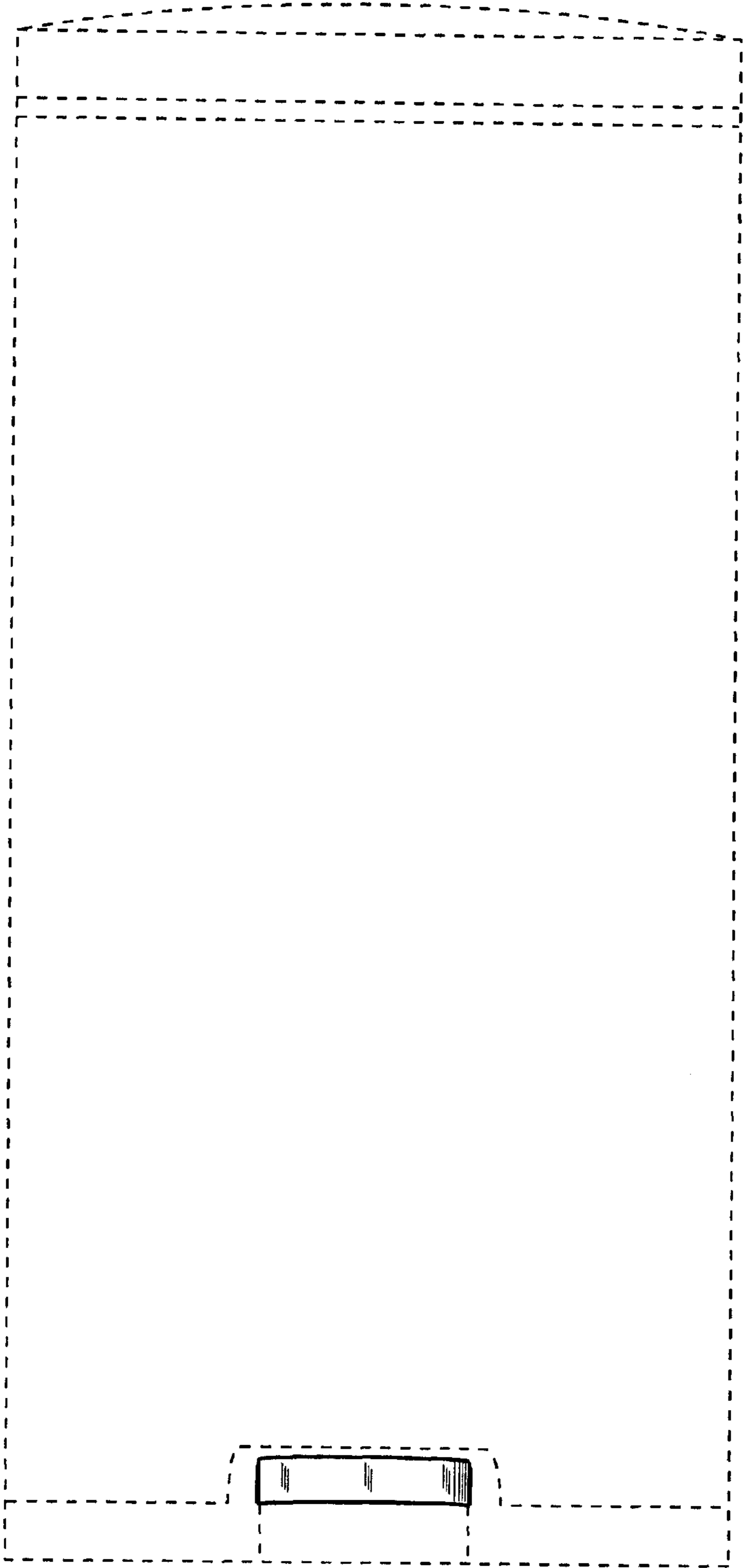


FIG. 3

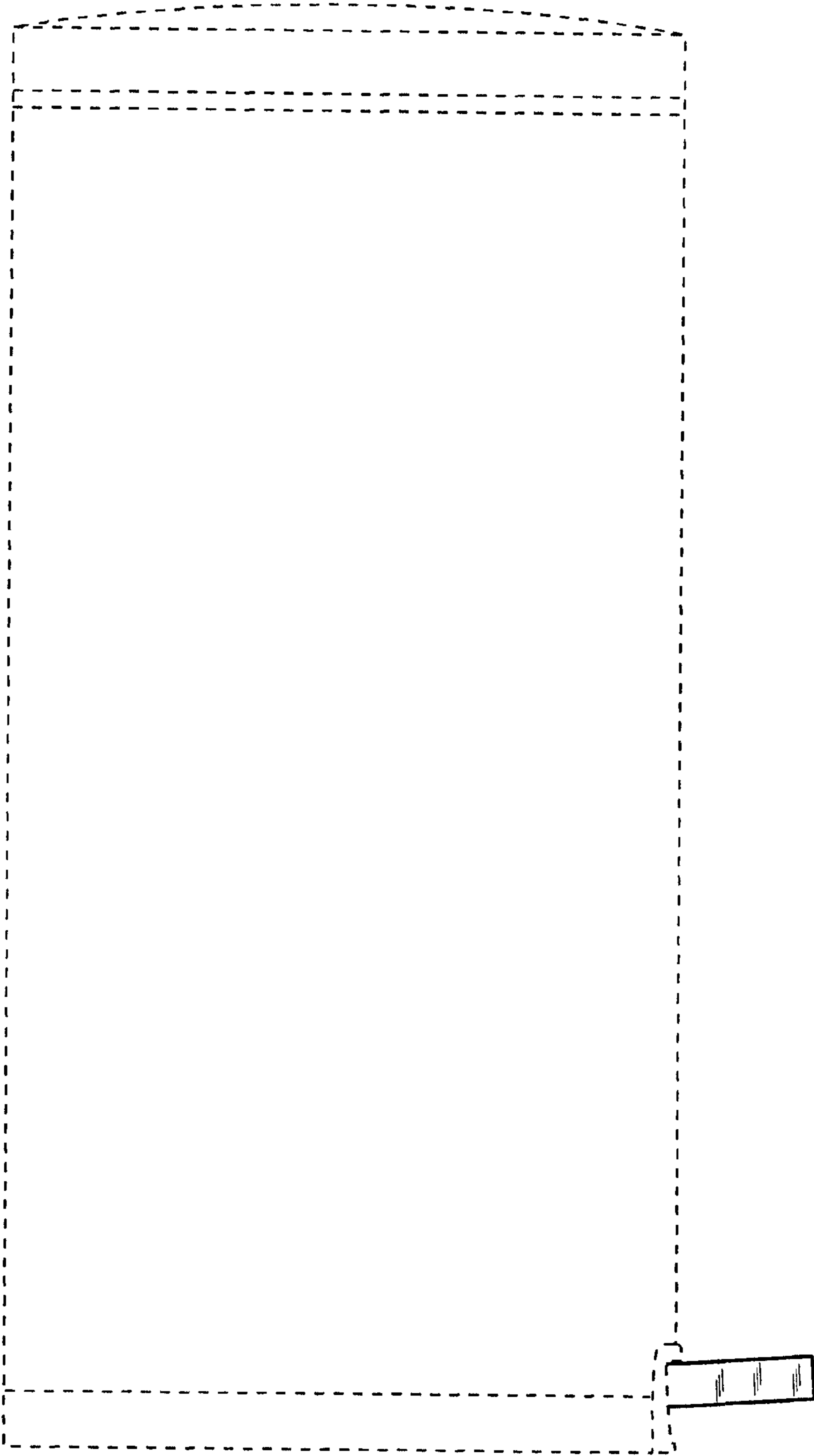


FIG. 4

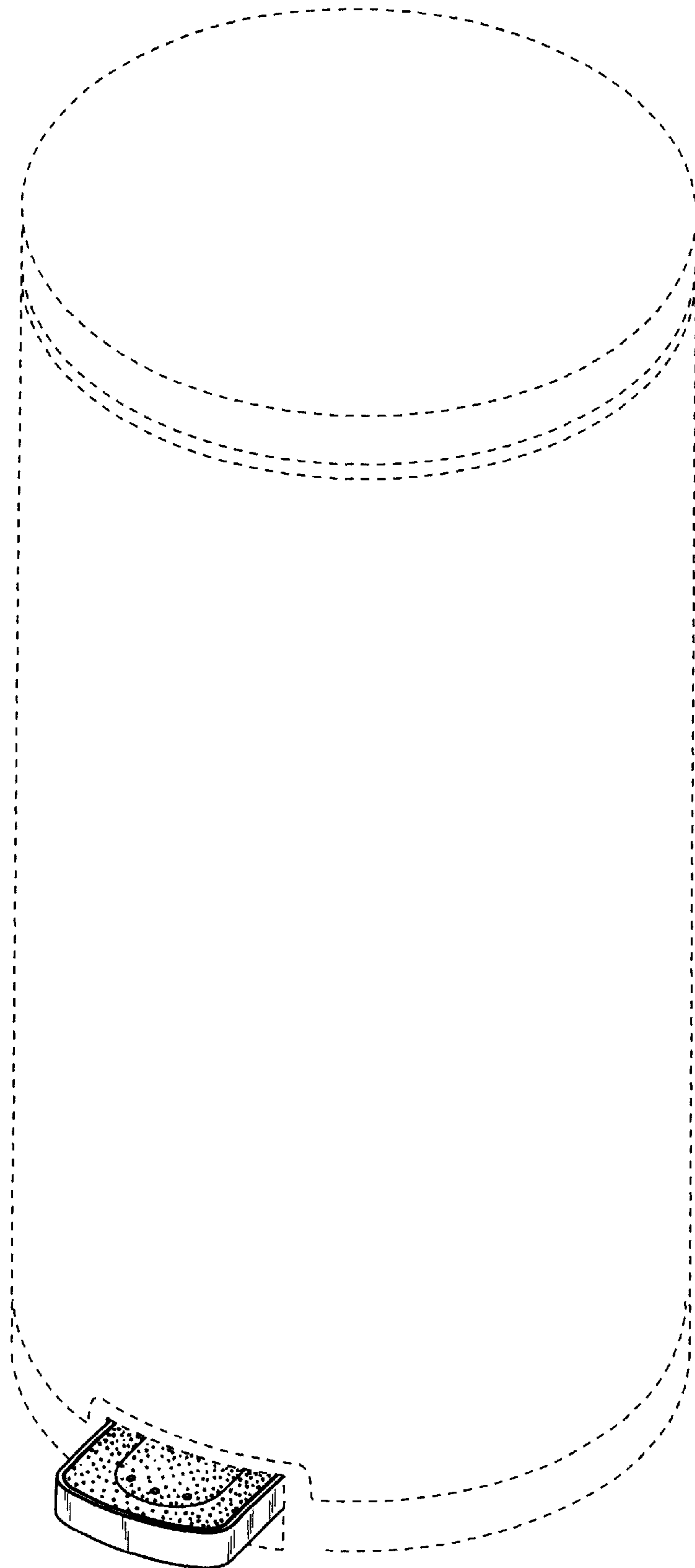


FIG. 5

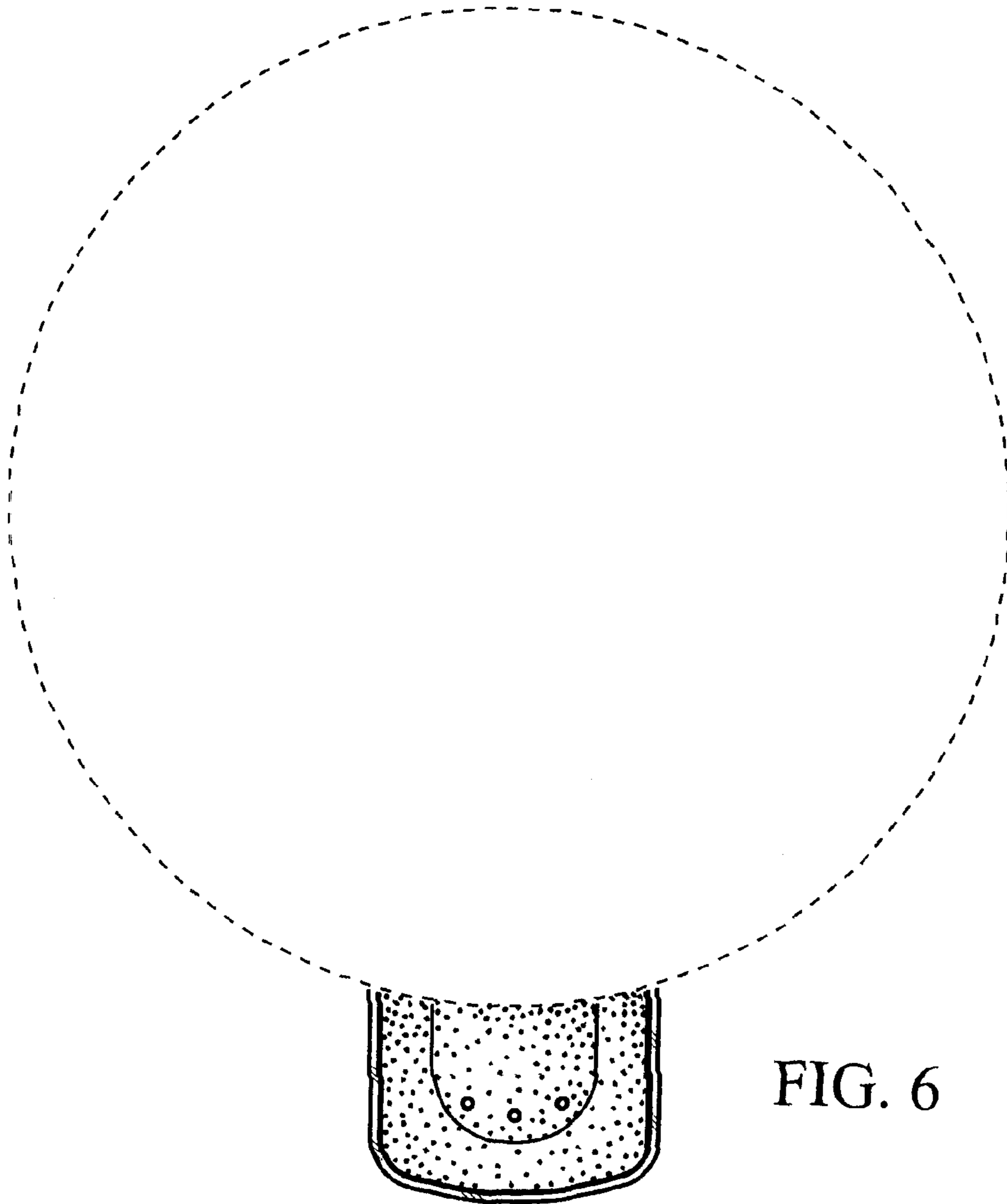


FIG. 6

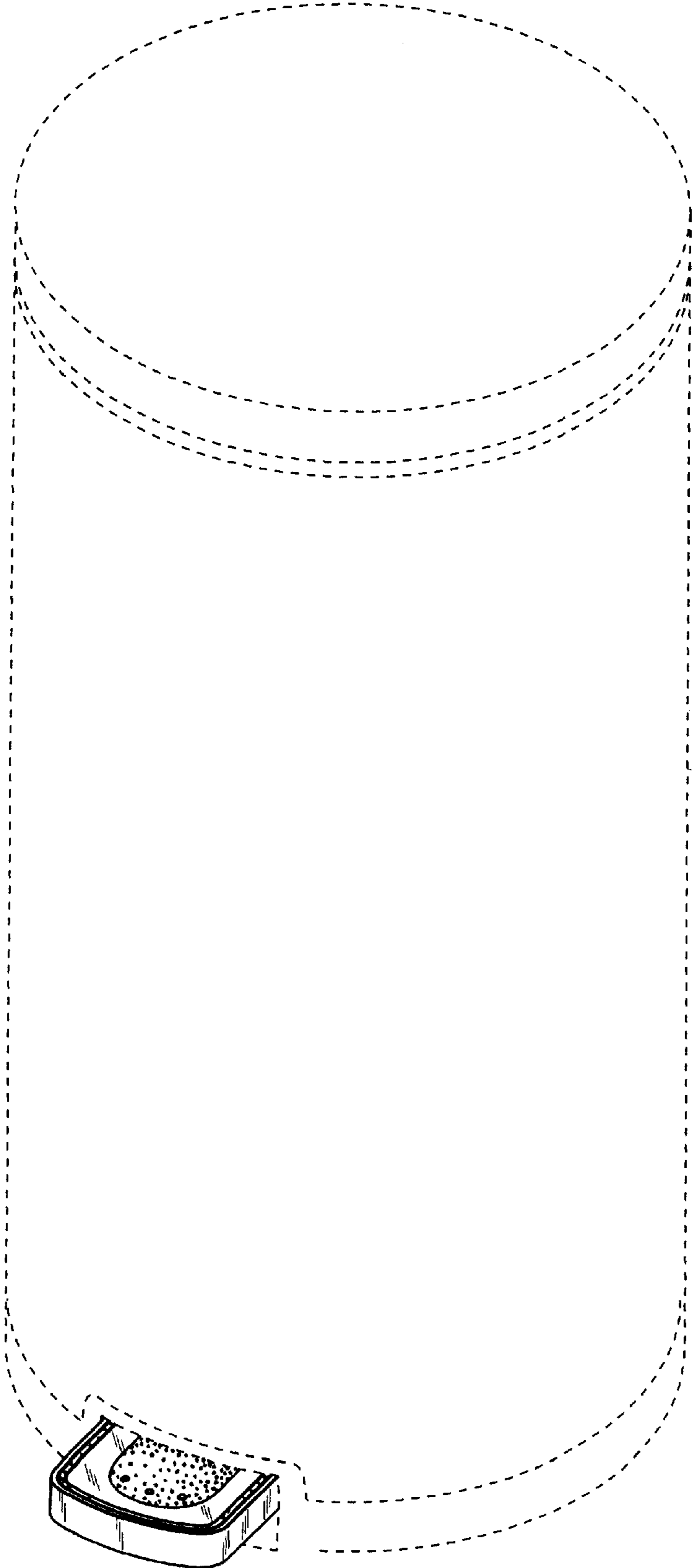


FIG. 7

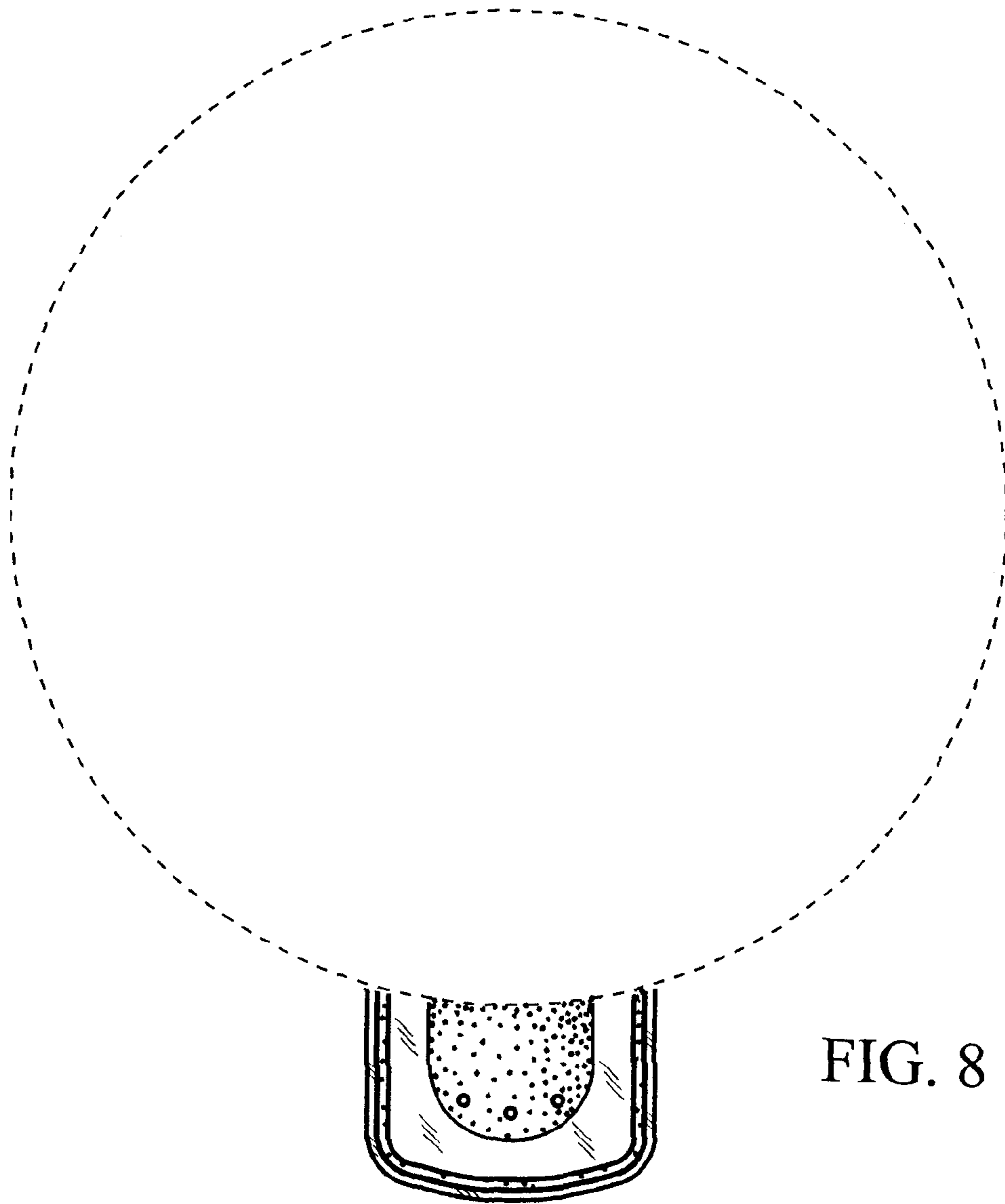


FIG. 8

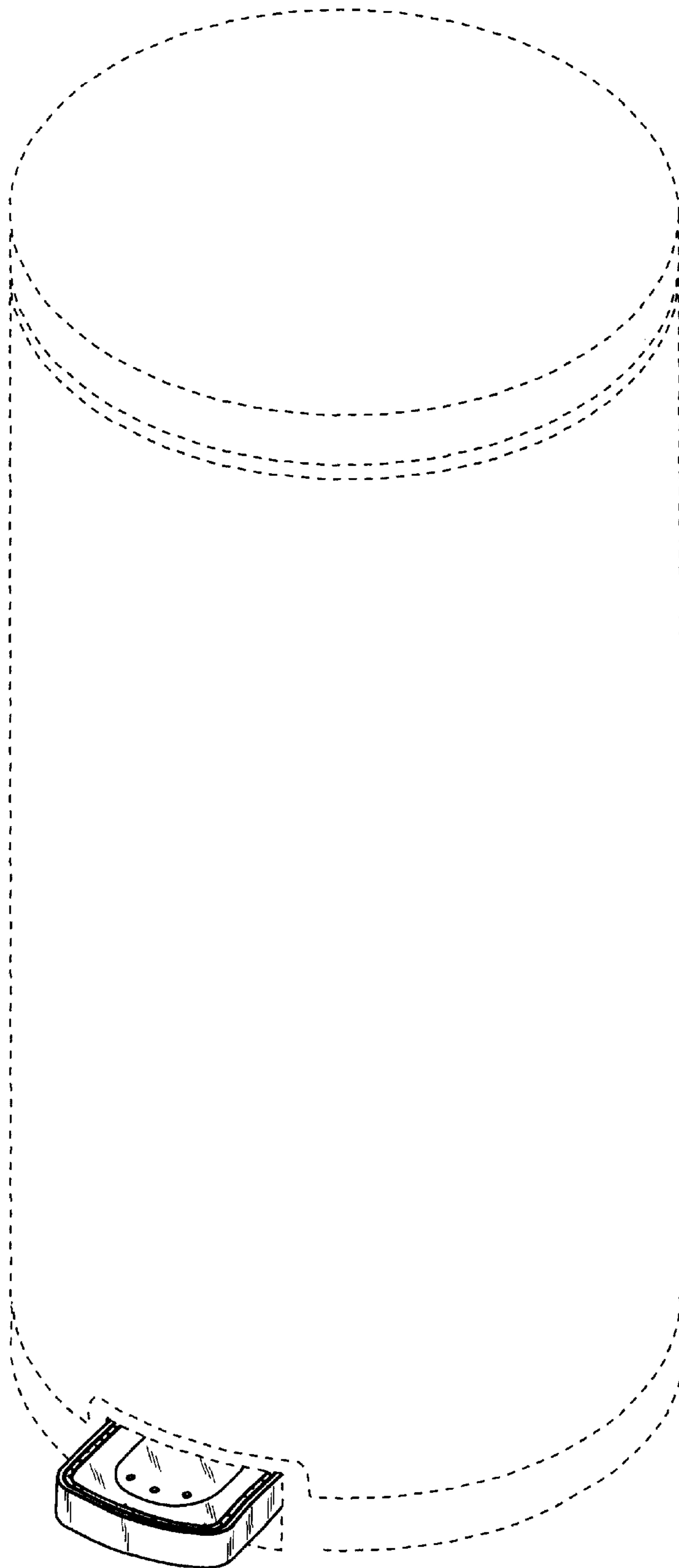


FIG. 9

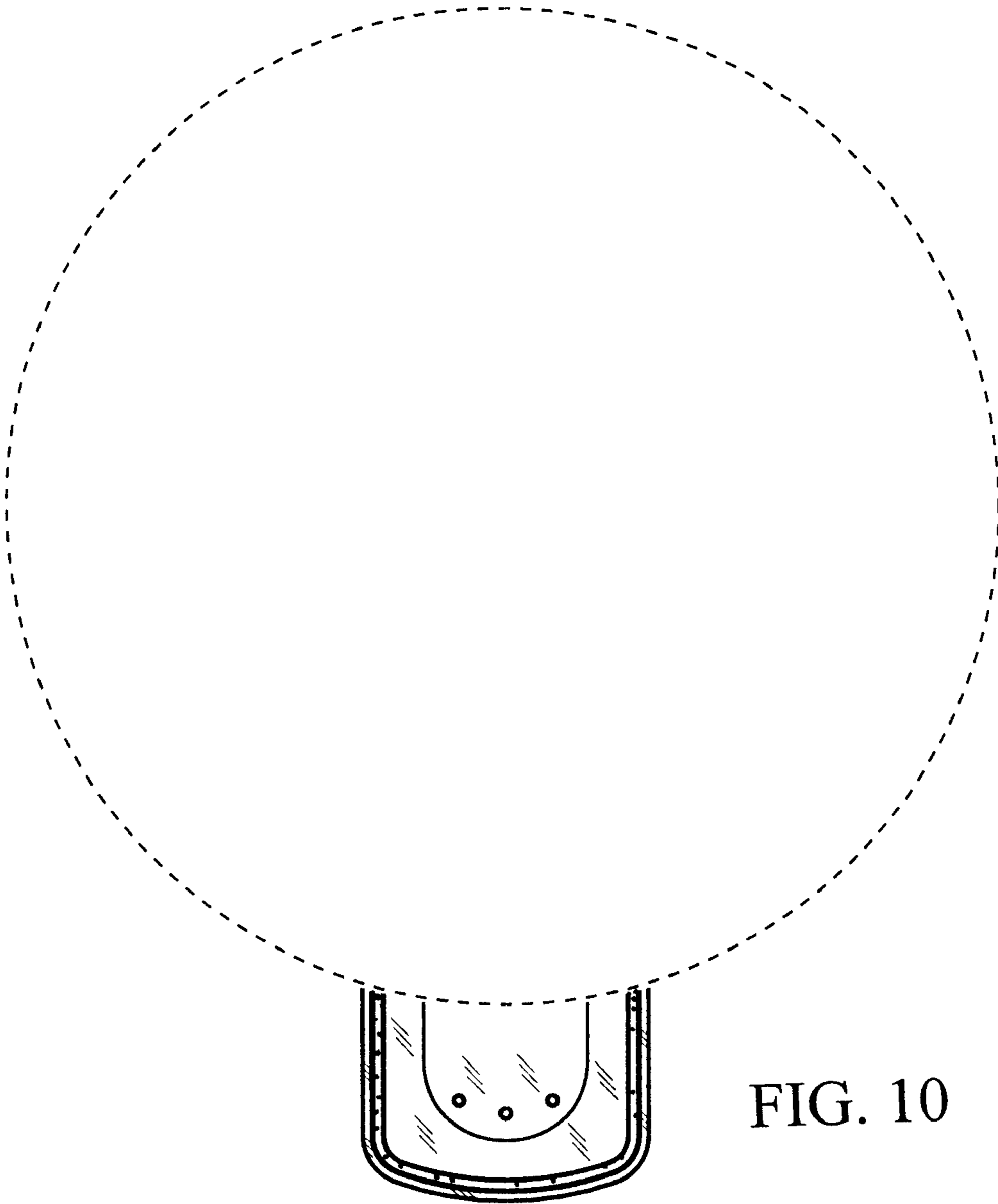


FIG. 10