

US00D544169S

(12) **United States Design Patent**
Jones

(10) **Patent No.:** **US D544,169 S**

(45) **Date of Patent:** **** Jun. 5, 2007**

(54) **COMBINED GARBAGE AND RECYCLING
DUAL CHAMBER CONTAINER**

(76) Inventor: **Allen G. Jones**, 5824 Livingston Ct.,
Stockton, CA (US) 95210

(**) Term: **14 Years**

(21) Appl. No.: **29/259,509**

(22) Filed: **May 9, 2006**

(51) **LOC (8) Cl.** **09-09**

(52) **U.S. Cl.** **D34/7**

(58) **Field of Classification Search** D34/1,
D34/5, 6, 7, 8, 9, 10, 11; 220/908-913, 675;
280/47.26

See application file for complete search history.

(56) **References Cited**

U.S. PATENT DOCUMENTS

2,572,486	A *	10/1951	Isaac	220/815
2,895,782	A *	7/1959	Fragale	312/290
D214,644	S *	7/1969	Marls	D34/5
D291,739	S *	9/1987	Orlowski	D34/5
D303,307	S *	9/1989	Juergens	D34/19
D313,491	S *	1/1991	Edelhoff et al.	D34/5
D319,519	S *	8/1991	Keir	D34/7
D323,912	S *	2/1992	Delmerico	D34/5
D324,595	S *	3/1992	Beese et al.	D34/5
D327,756	S *	7/1992	Klein et al.	D34/1
D330,618	S *	10/1992	Browning et al.	D34/7

D348,964	S *	7/1994	Roy et al.	D34/7
D357,779	S *	4/1995	Breen	D34/1
D401,727	S *	11/1998	Weideman et al.	D34/25
D411,784	S *	7/1999	Houry	D34/19
D423,167	S *	4/2000	Welch	D34/7
D478,197	S *	8/2003	Raghunathan	D34/5

* cited by examiner

Primary Examiner—Cynthia E. Ramirez

(74) *Attorney, Agent, or Firm*—R. Michael West

(57) **CLAIM**

The ornamental design for a combined garage and recycling dual chamber container, as shown and described.

DESCRIPTION

FIG. 1 is a left front perspective of a combined garage and recycling dual chamber container showing my new design; FIG. 2 is an elevational view of the left hand side, thereof, the elevational view of the right hand side being a mirror image, thereof;

FIG. 3 is a front elevational view, thereof;

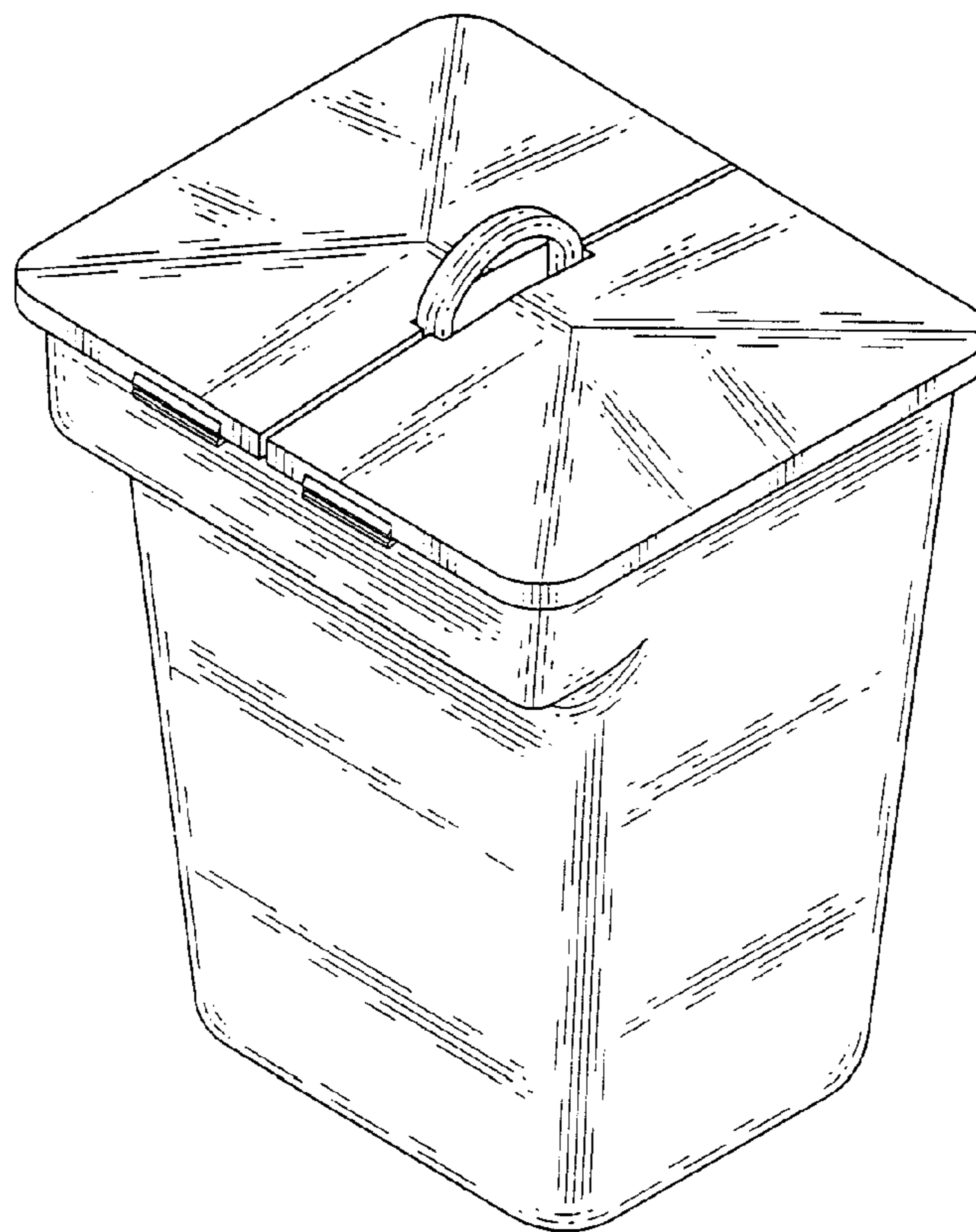
FIG. 4 is a rear elevational view, thereof;

FIG. 5 is a top plan view, thereof;

FIG. 6 is a bottom plan view, thereof; and,

FIG. 7 is a perspective view as in FIG. 1, but showing the chamber covers pivoted upwardly into an alternate position.

1 Claim, 2 Drawing Sheets



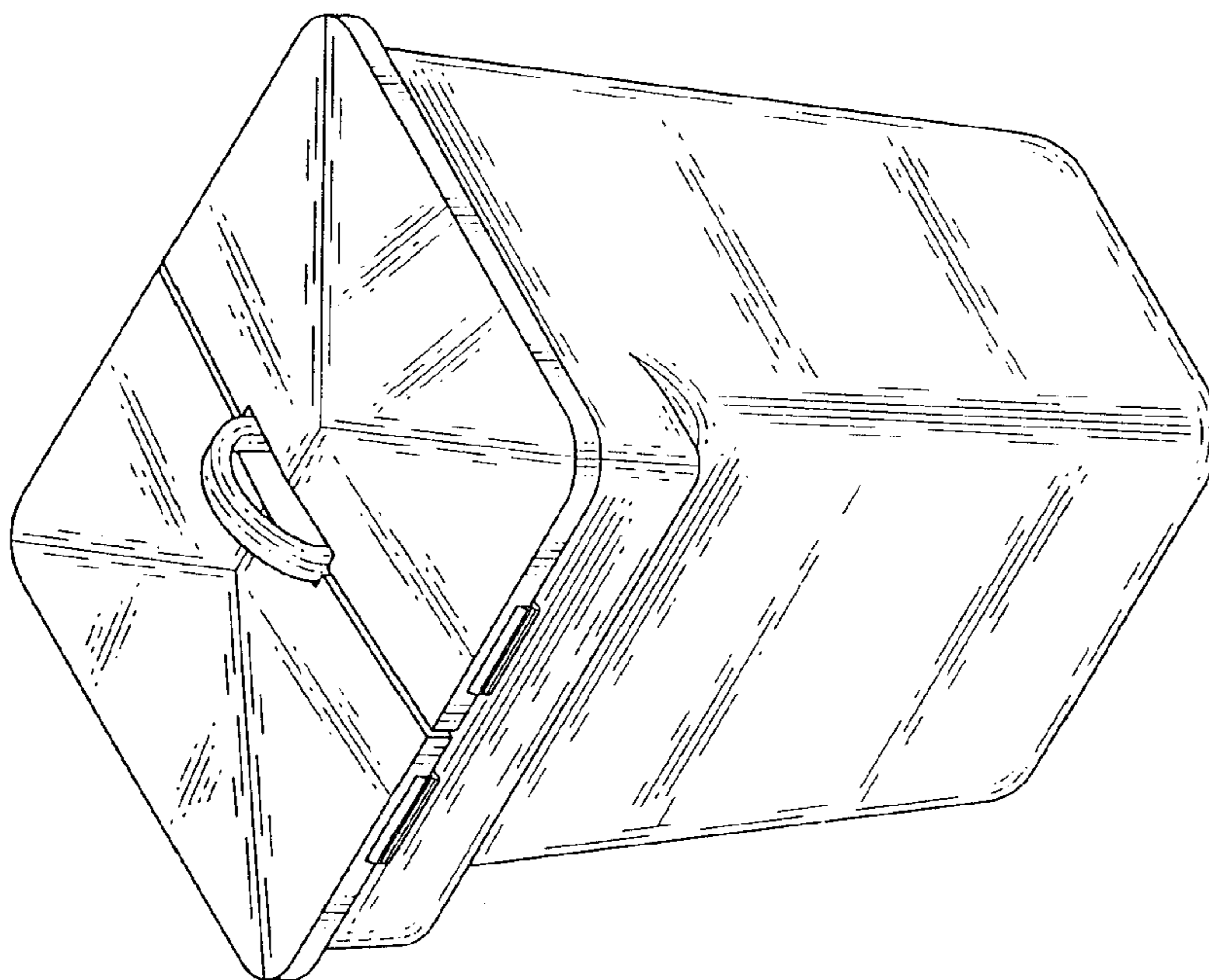


Fig. 1

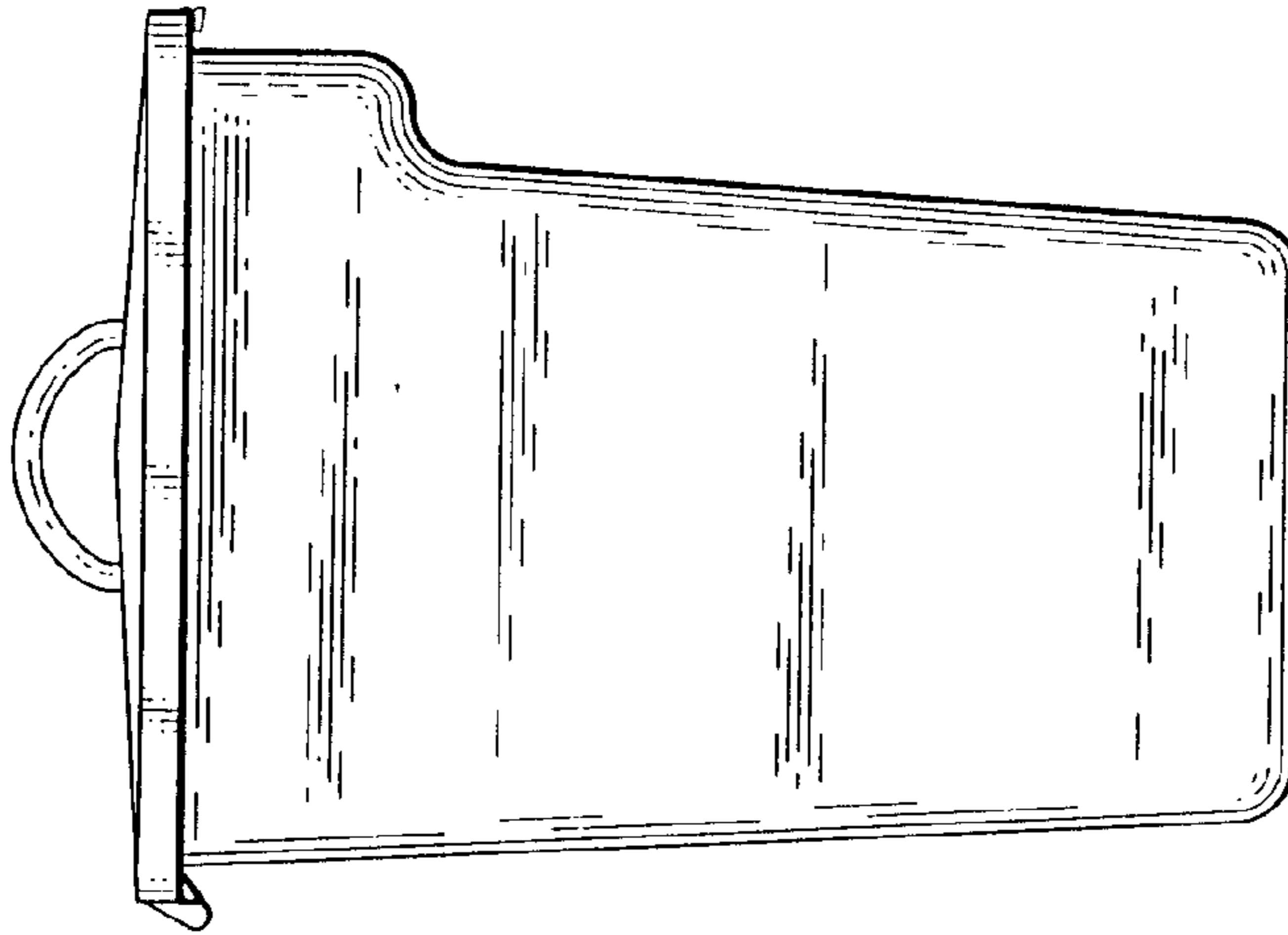


Fig. 2

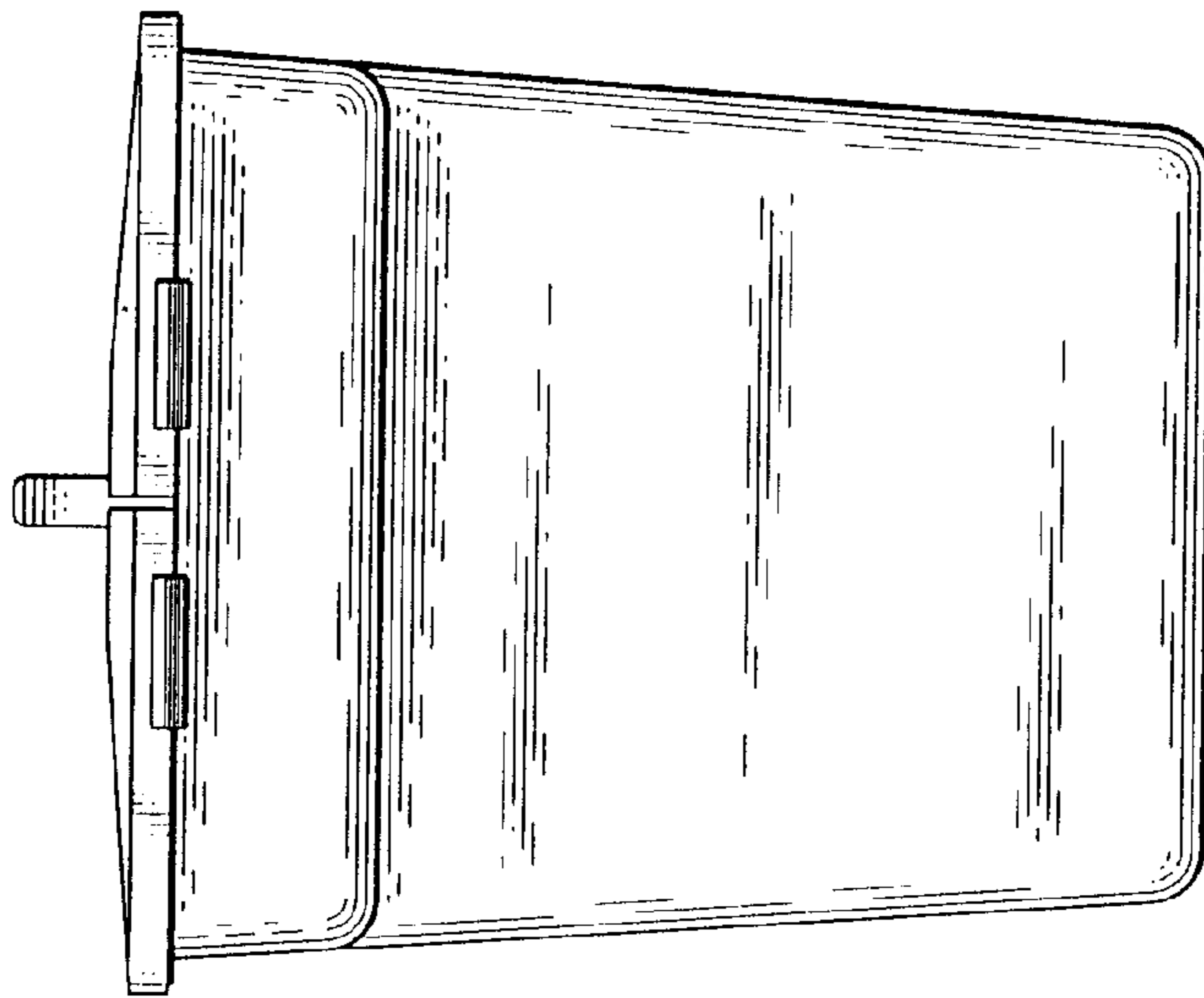


Fig. 3

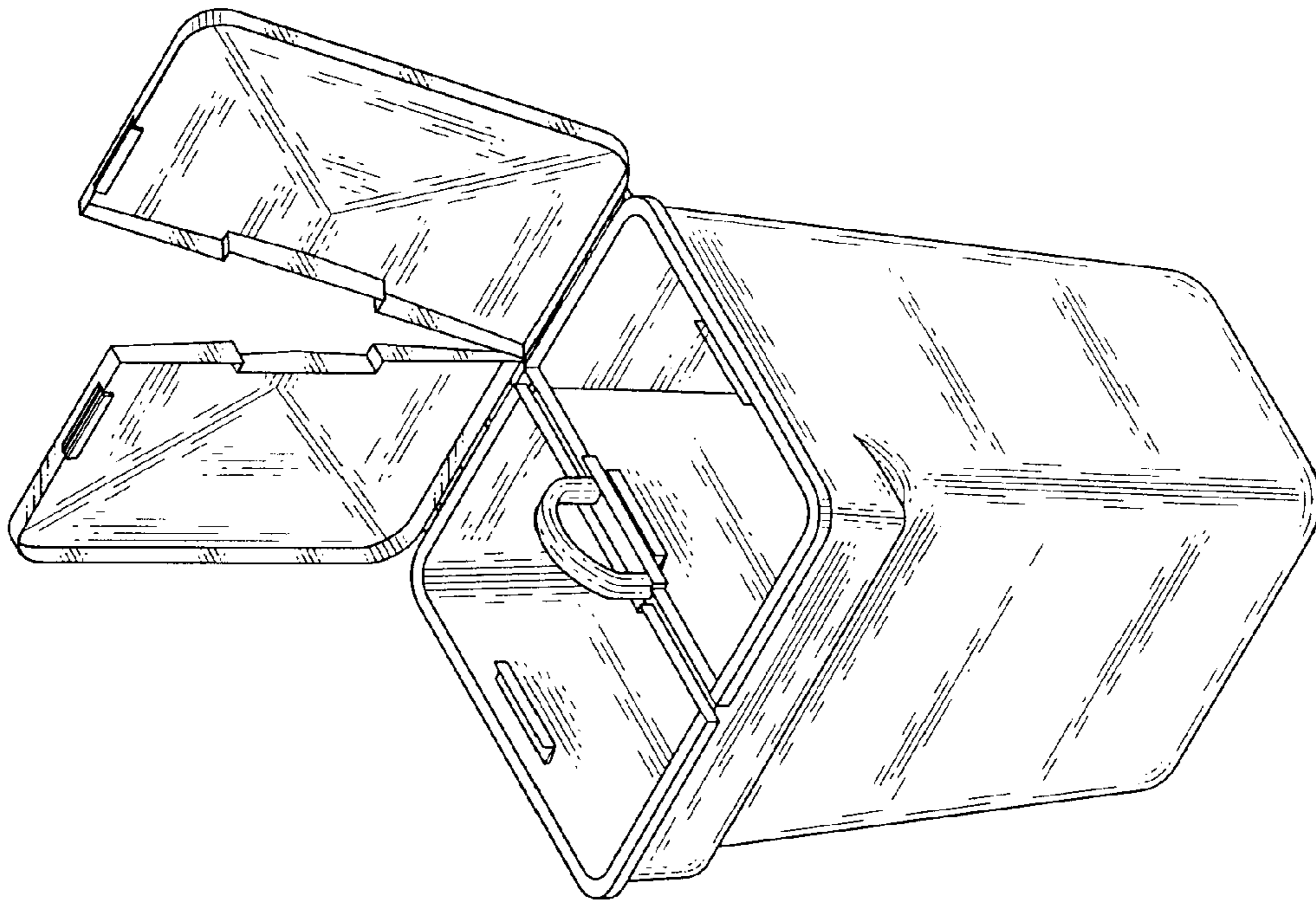


Fig. 7

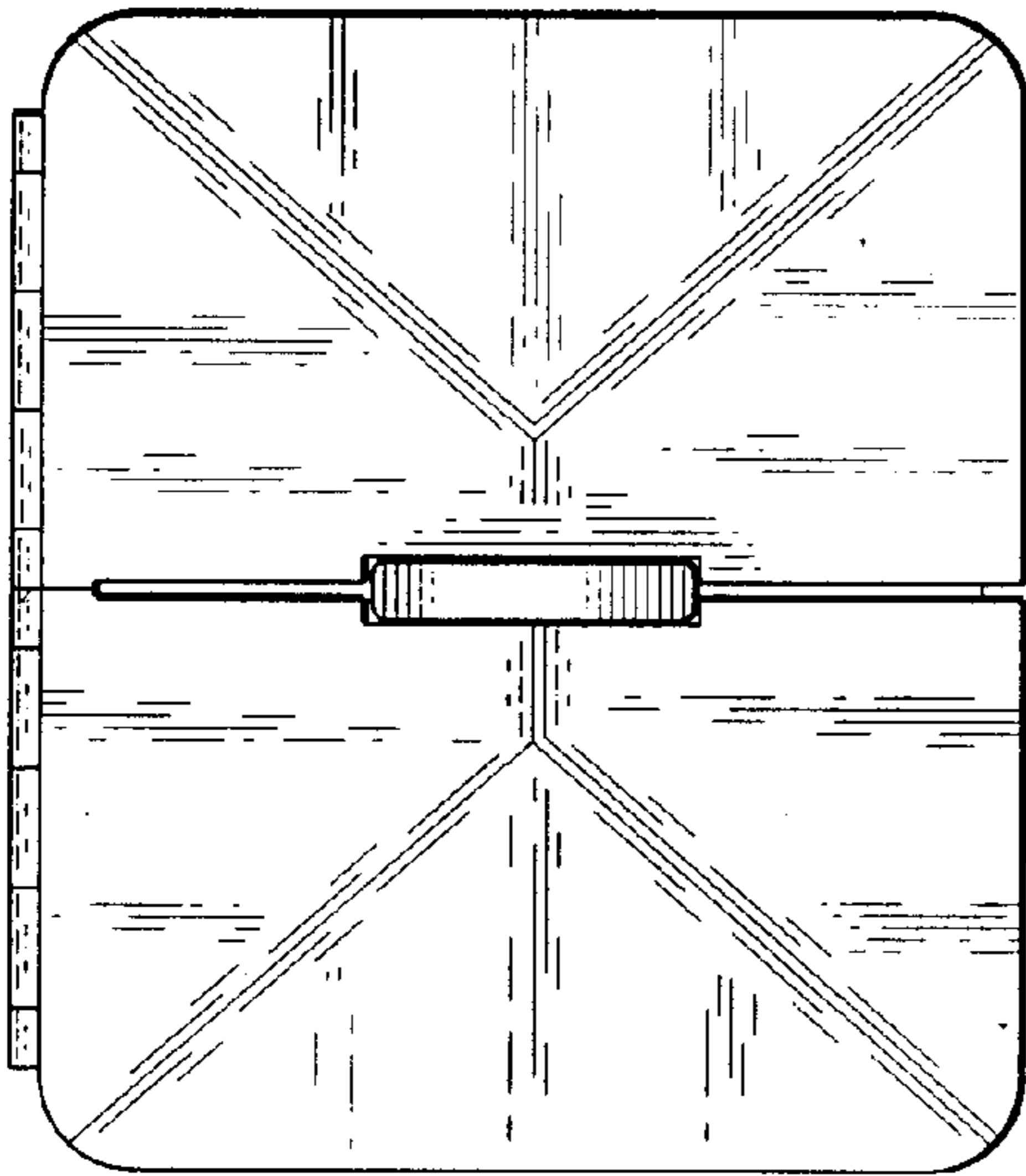


Fig. 5

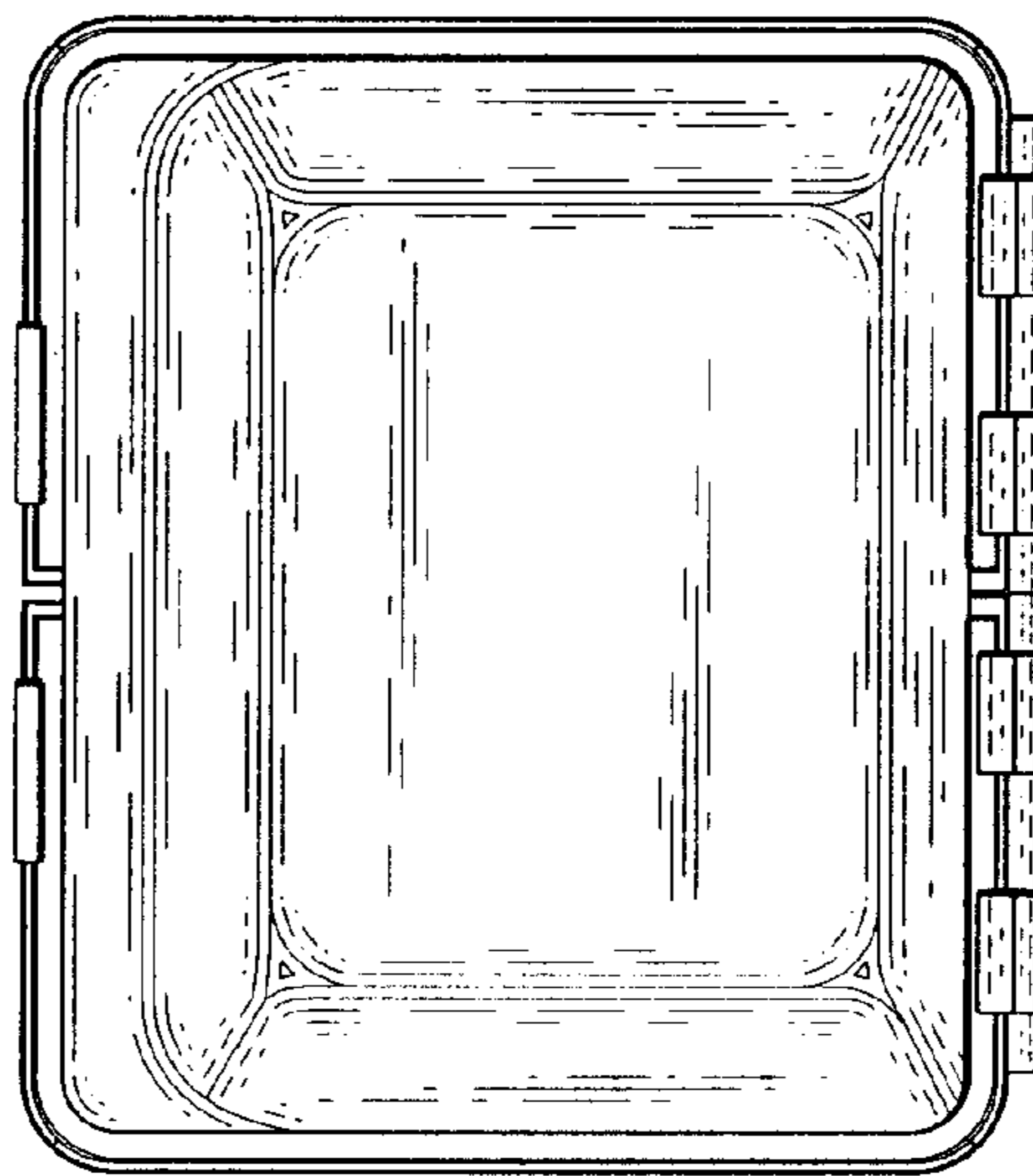


Fig. 6

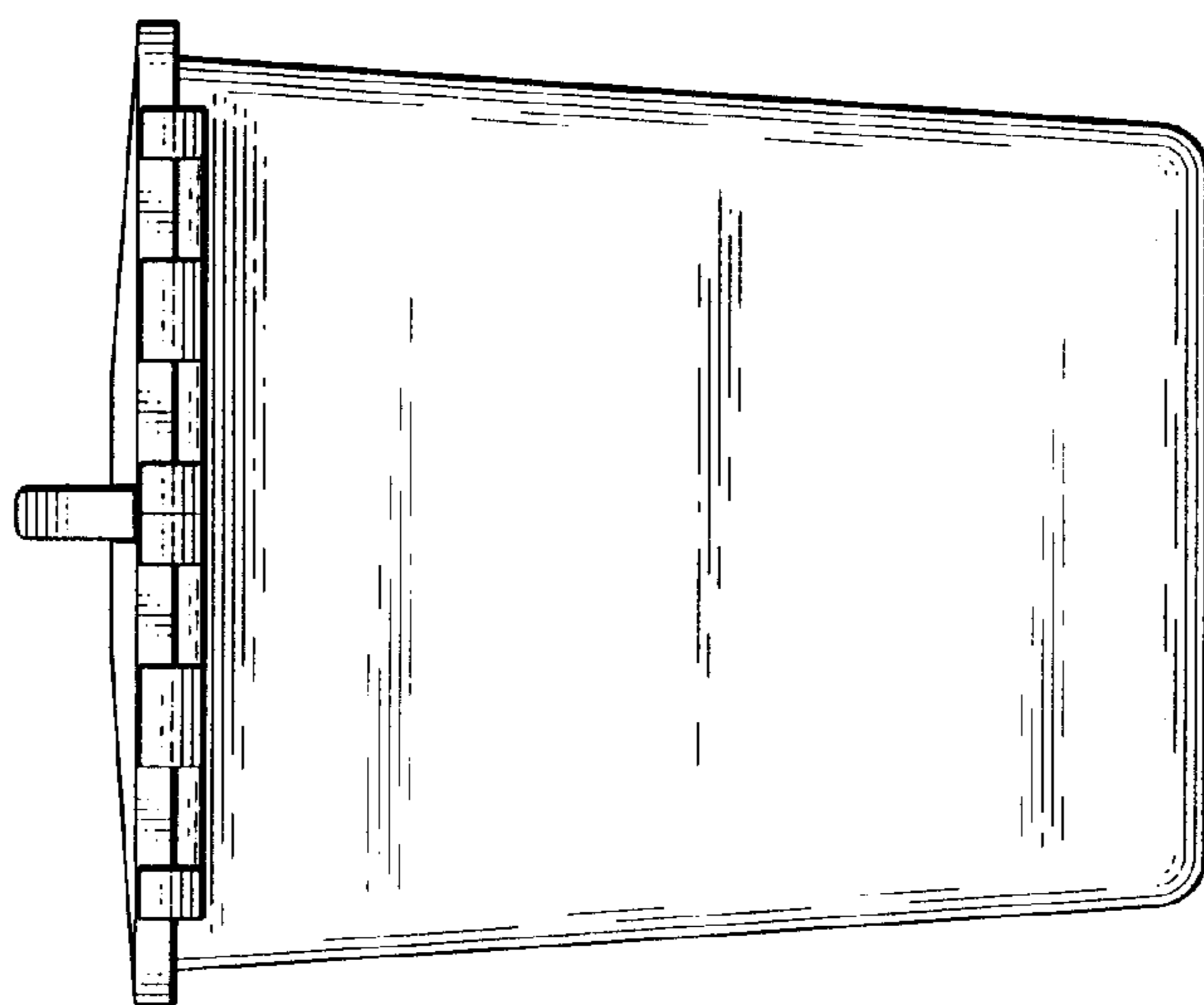


Fig. 4