

US00D544167S

(12) **United States Design Patent**
Dukic, Jr. et al.

(10) **Patent No.:** **US D544,167 S**

(45) **Date of Patent:** **** Jun. 5, 2007**

(54) **DISPOSABLE SPITTOON**

(76) Inventors: **George Dukic, Jr.**, 180 Wicklow Dr.,
Murrells Inlet, SC (US) 29576; **Kathy Ann Dukic**, 180 Wicklow Dr., Murrells
Inlet, SC (US) 29576

(**) Term: **14 Years**

(21) Appl. No.: **29/263,931**

(22) Filed: **Aug. 1, 2006**

(51) **LOC (8) Cl.** **09-09**

(52) **U.S. Cl.** **D34/3**

(58) **Field of Classification Search** D34/3,
D34/1, 7, 8; D9/414, 420, 428; 220/254;
4/258, 259, 267, 270; D28/22
See application file for complete search history.

(56) **References Cited**

U.S. PATENT DOCUMENTS

550,361 A	11/1895	Alley	
D32,005 S *	12/1899	Weber	D34/2
676,924 A	6/1901	Steiger	
879,314 A	2/1908	Peter	
964,472 A	7/1910	Johnson	
1,065,511 A	6/1913	Edwards	
D62,709 S *	7/1923	Ward	D26/152
2,126,701 A	8/1938	Hamilton	
2,218,002 A	10/1940	Hamilton	
2,440,783 A	5/1948	Peart	
3,902,540 A *	9/1975	Commisso	220/4.24
4,162,547 A	7/1979	Jenkins	
4,503,572 A	3/1985	Dawson	
4,739,900 A *	4/1988	Borst	220/835
D317,410 S *	6/1991	Ott et al.	D9/426
D318,159 S *	7/1991	Noack	D34/5
D324,997 S *	3/1992	Jones	D9/529
D369,942 S *	5/1996	Ahern, Jr.	D7/391
5,927,535 A *	7/1999	Goth	220/254.3

D426,772 S *	6/2000	Kahl	D9/449
6,102,257 A *	8/2000	Goyet	222/498
D442,338 S *	5/2001	Roman	D28/82
D464,886 S *	10/2002	Bried et al.	D9/504
D468,058 S *	12/2002	Thorpe	D28/82
D485,906 S *	1/2004	Danssaert et al.	D24/131
D524,153 S *	7/2006	Reinhard	D9/428
D527,627 S *	9/2006	Liebe	D9/428
D534,420 S *	1/2007	Fager	D9/420

* cited by examiner

Primary Examiner—Cynthia E. Ramirez

(74) *Attorney, Agent, or Firm*—Arthur S. Morgenstern;
Nexsen Pruet, LLC

(57) **CLAIM**

The ornamental design for a disposable spittoon, as shown and described.

DESCRIPTION

FIG. 1 is a perspective view of a disposable spittoon in a closed position showing our new design;

FIG. 2 is a top view thereof;

FIG. 3 is a bottom view thereof;

FIG. 4 is a rear view thereof;

FIG. 5 is a front view thereof;

FIG. 6 is a right side view thereof;

FIG. 7 is a perspective view of a disposable spittoon in an open position showing our new design;

FIG. 8 is a rear view thereof;

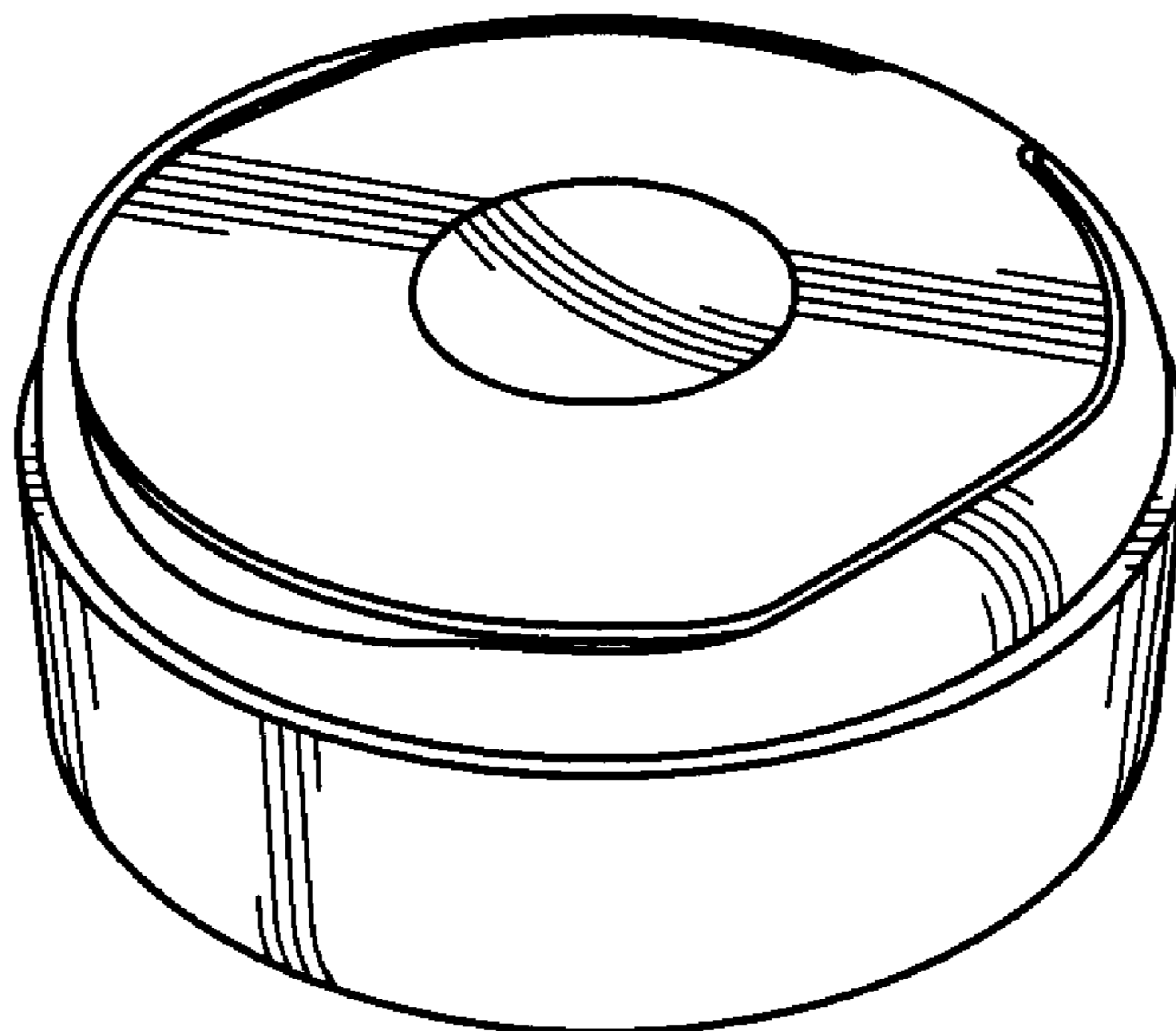
FIG. 9 is a front view thereof;

FIG. 10 is a bottom view thereof;

FIG. 11 is a top view thereof; and,

FIG. 12 is a right side view thereof.

1 Claim, 3 Drawing Sheets



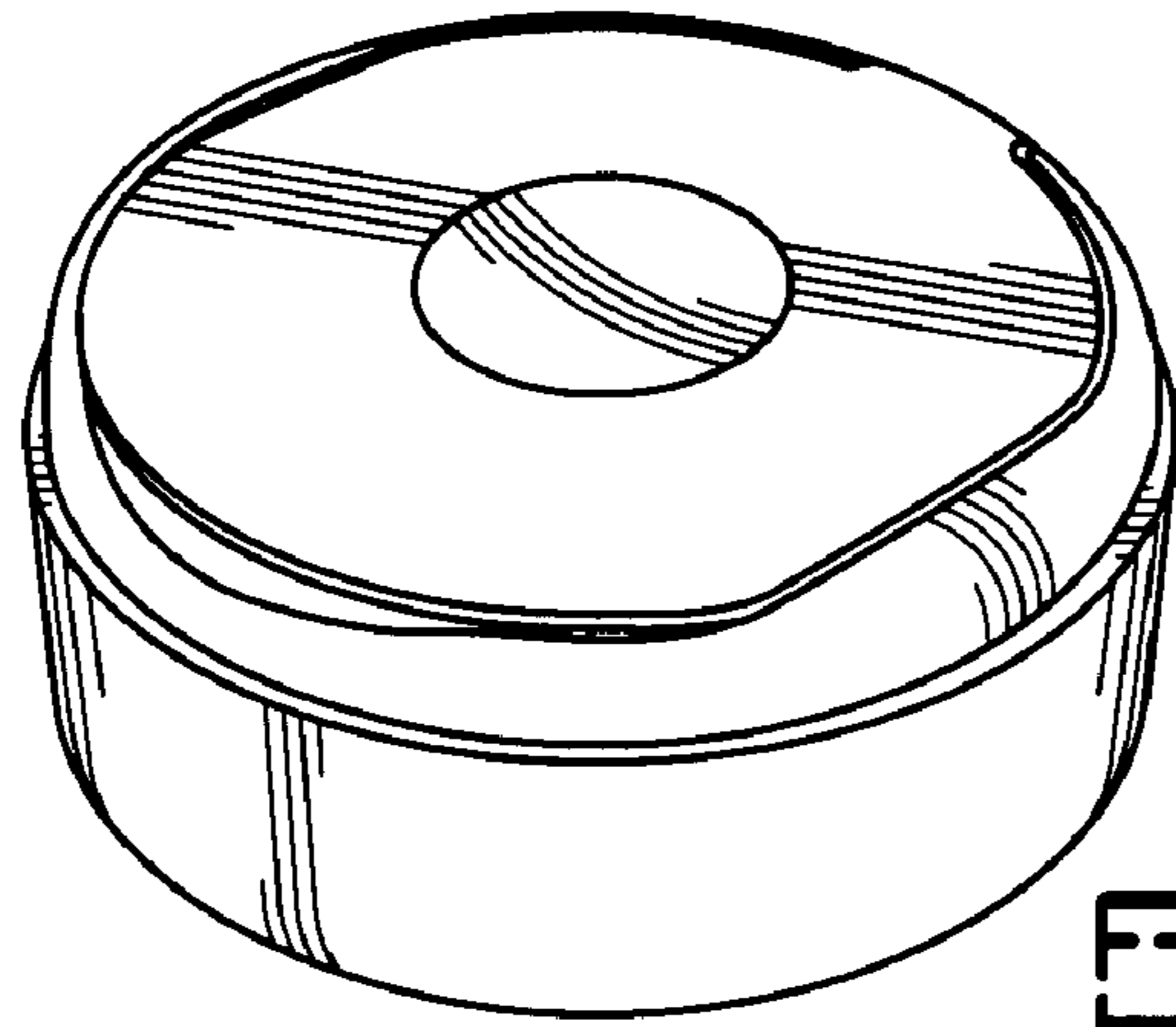


FIG. 1

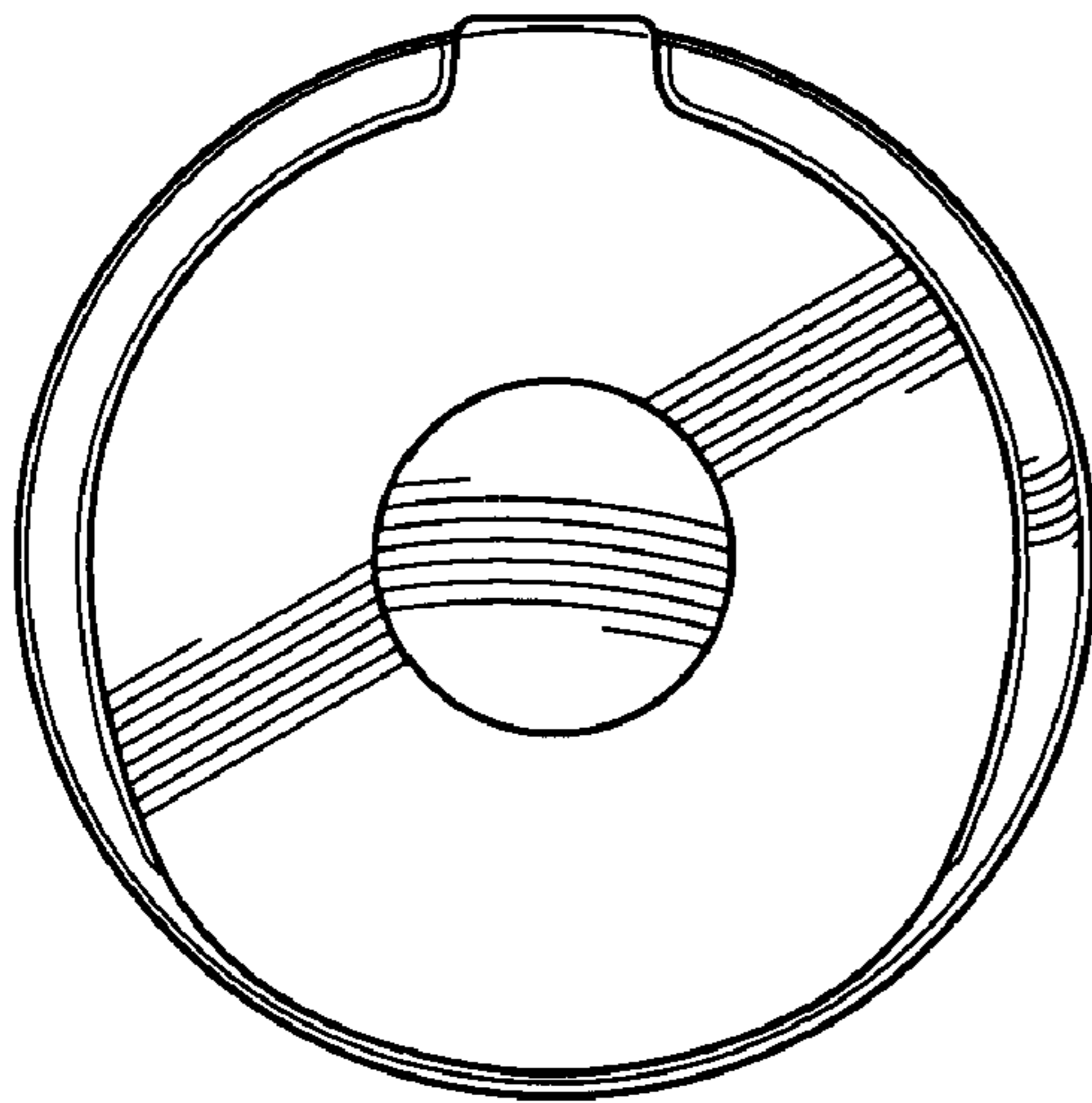


FIG. 2

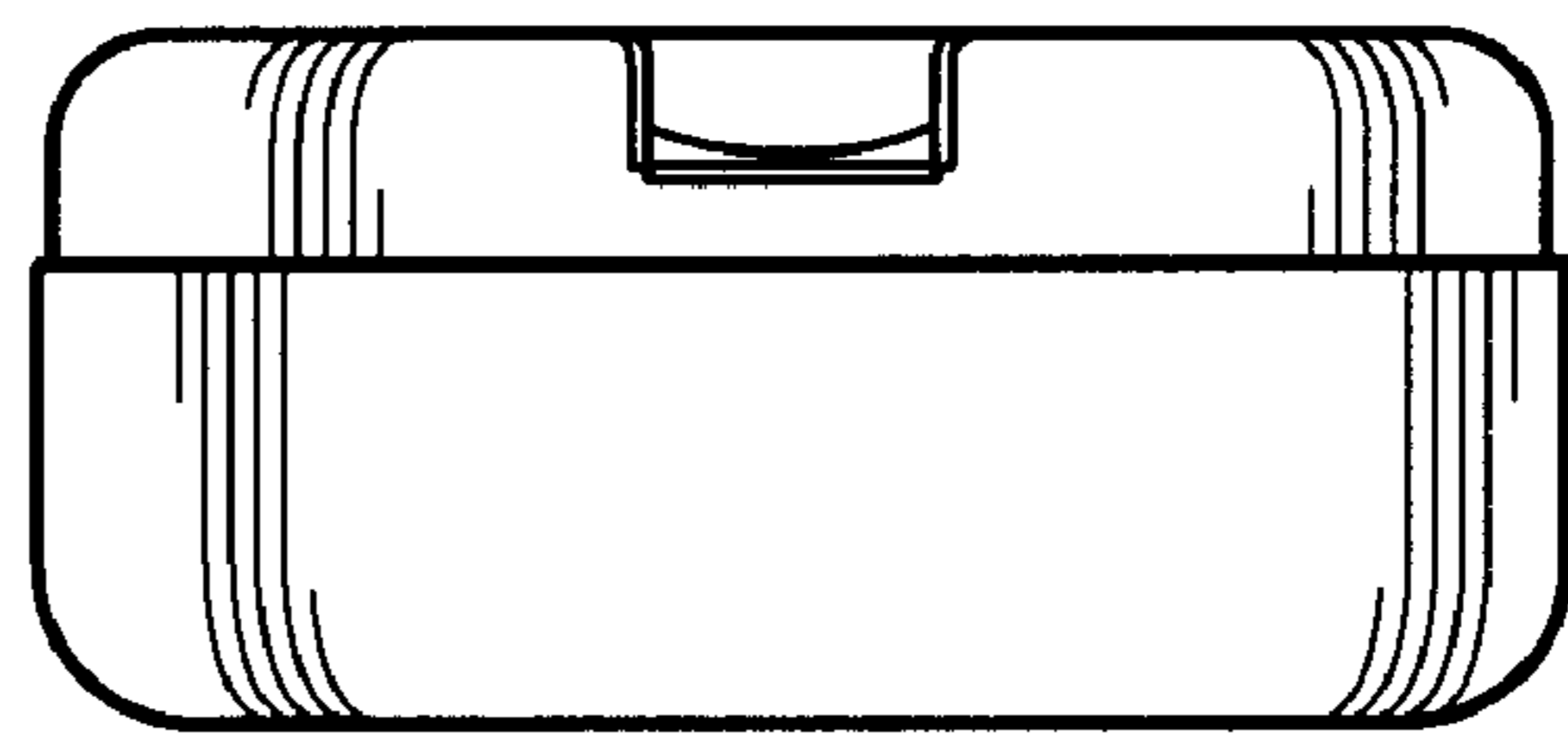


FIG. 4

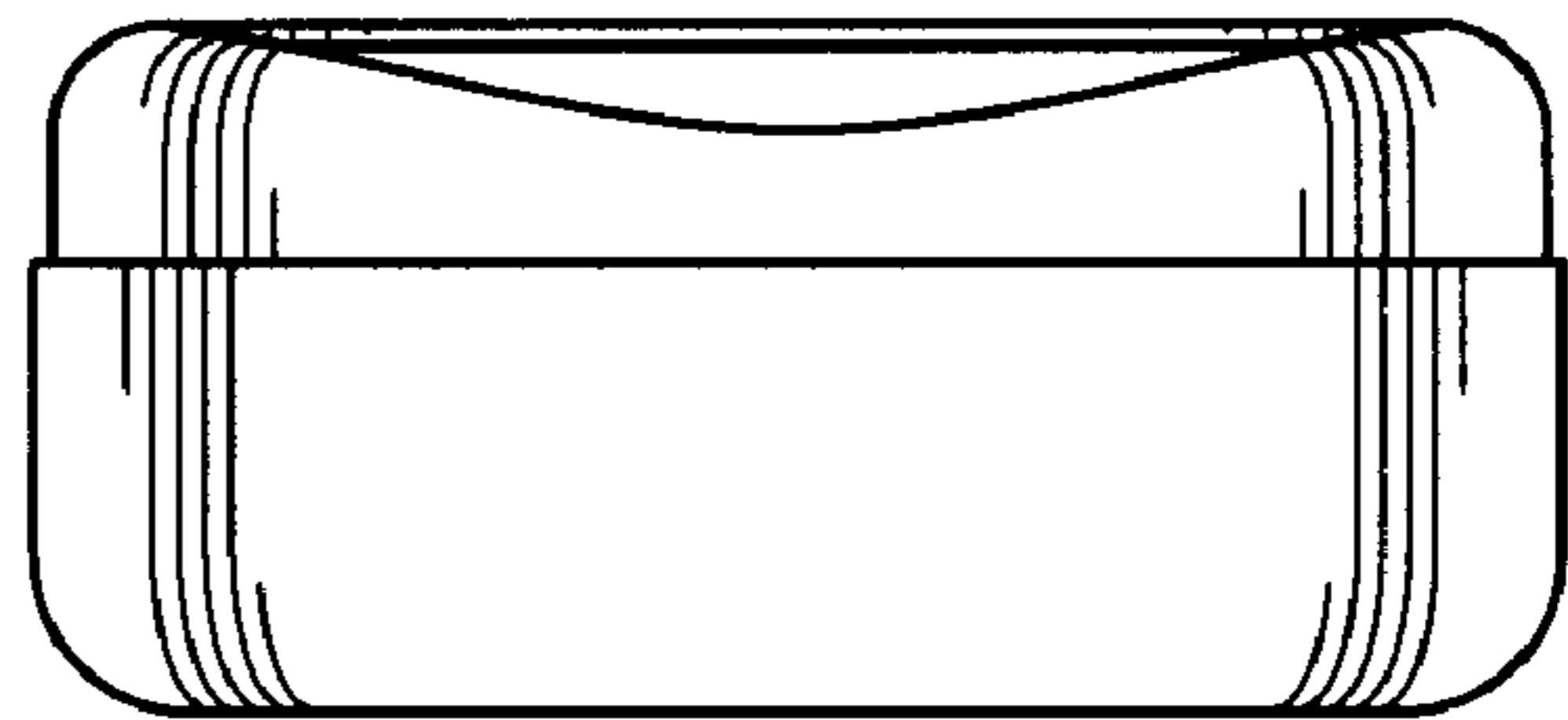


FIG. 5

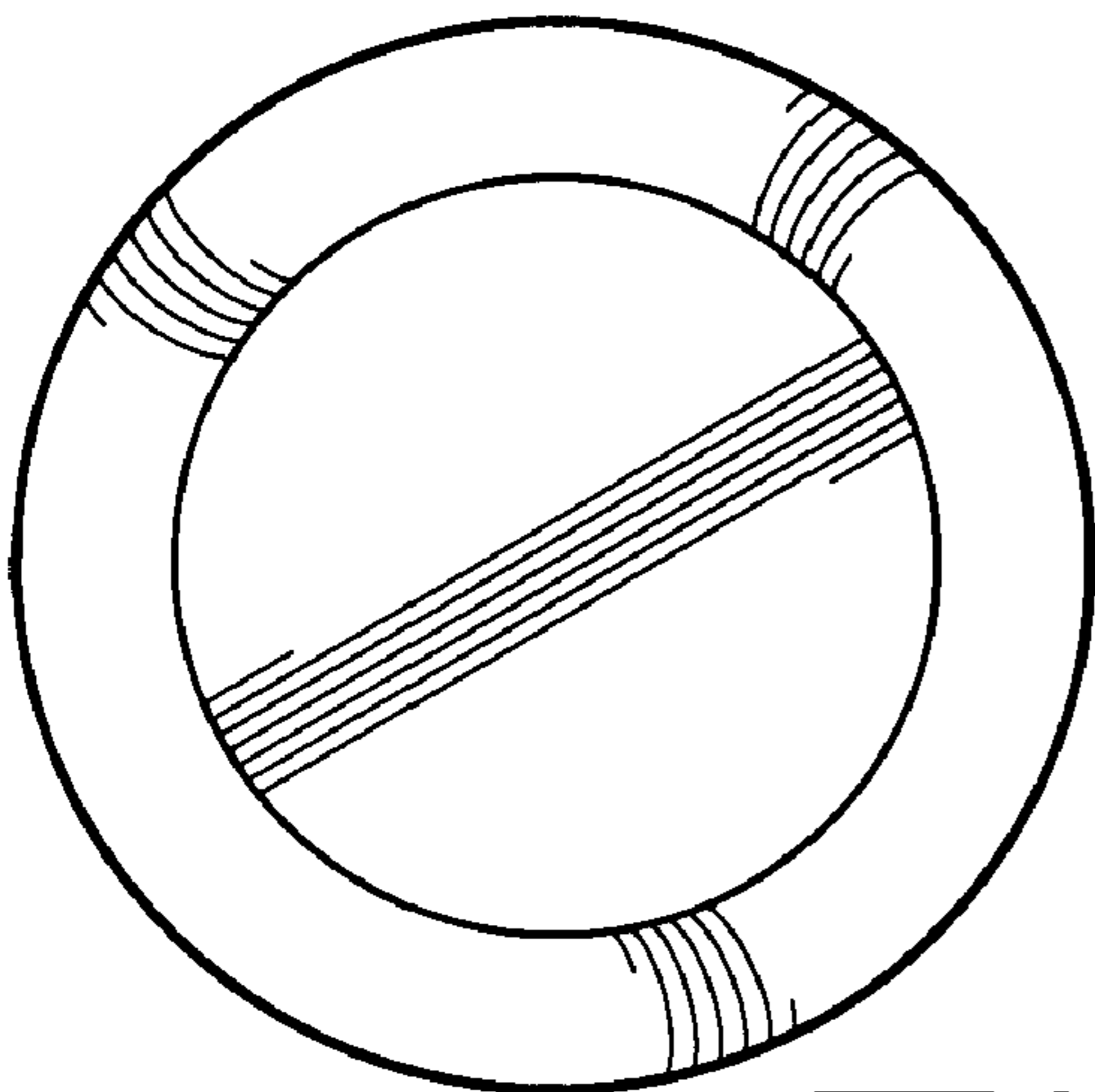


FIG. 3

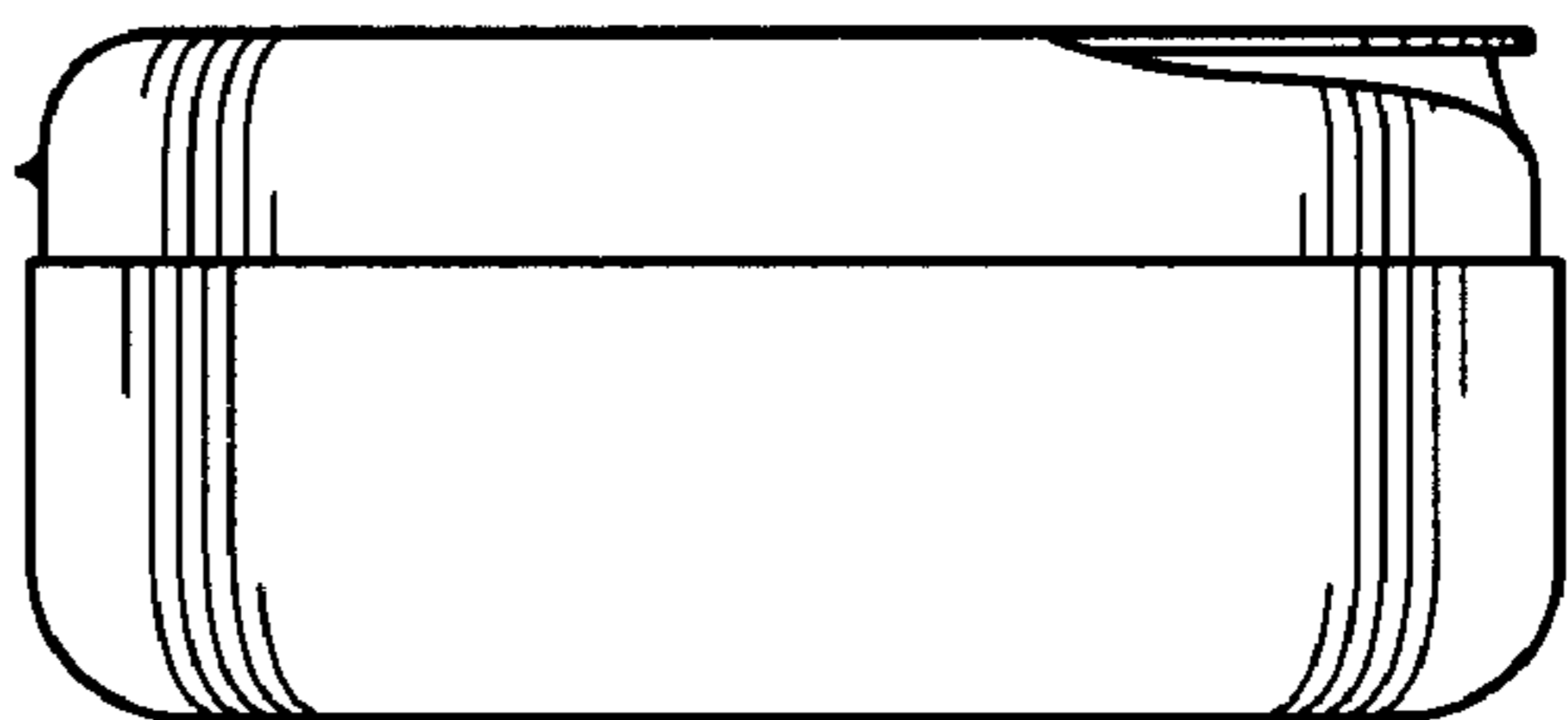


FIG. 6

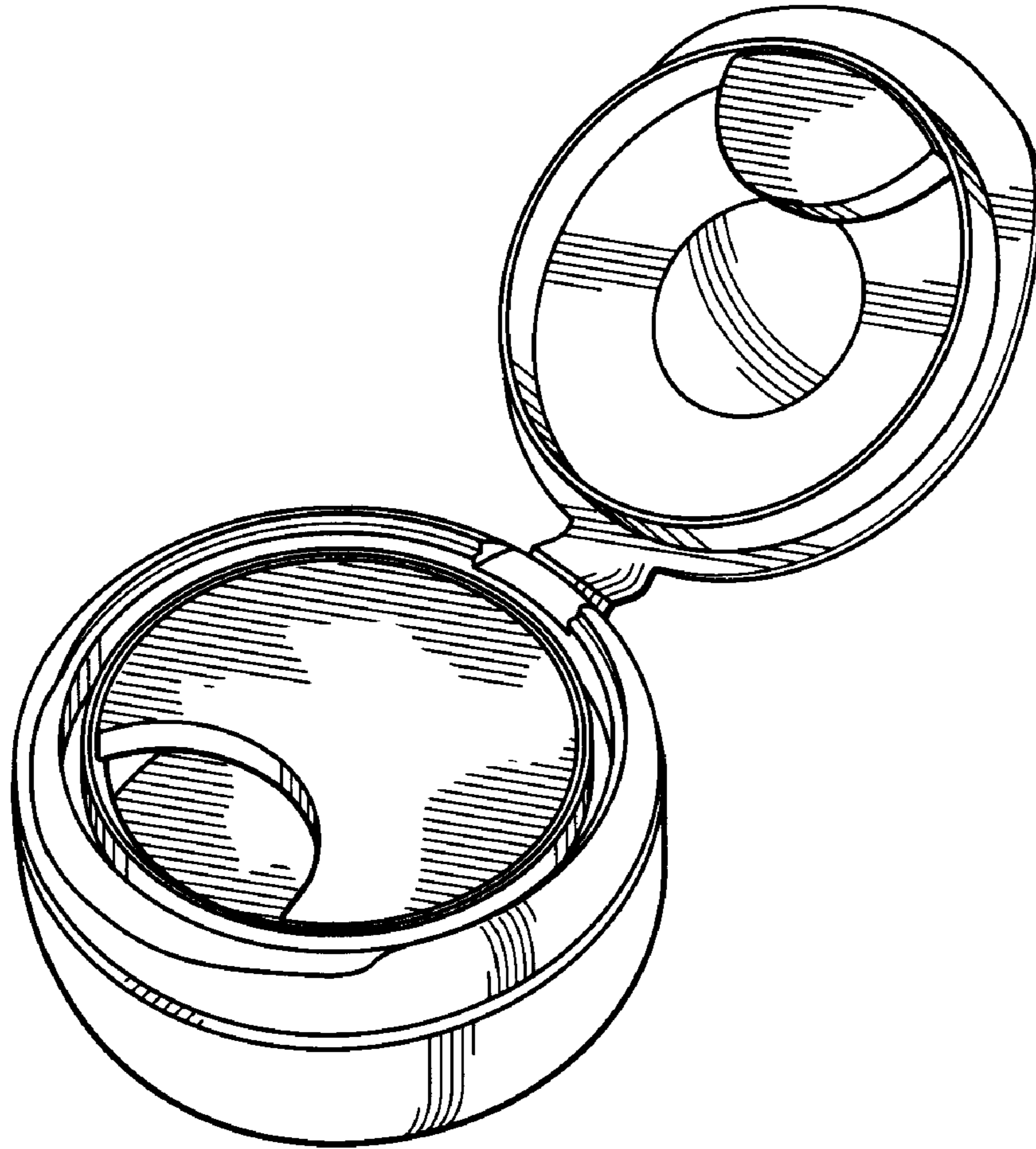


FIG. 7

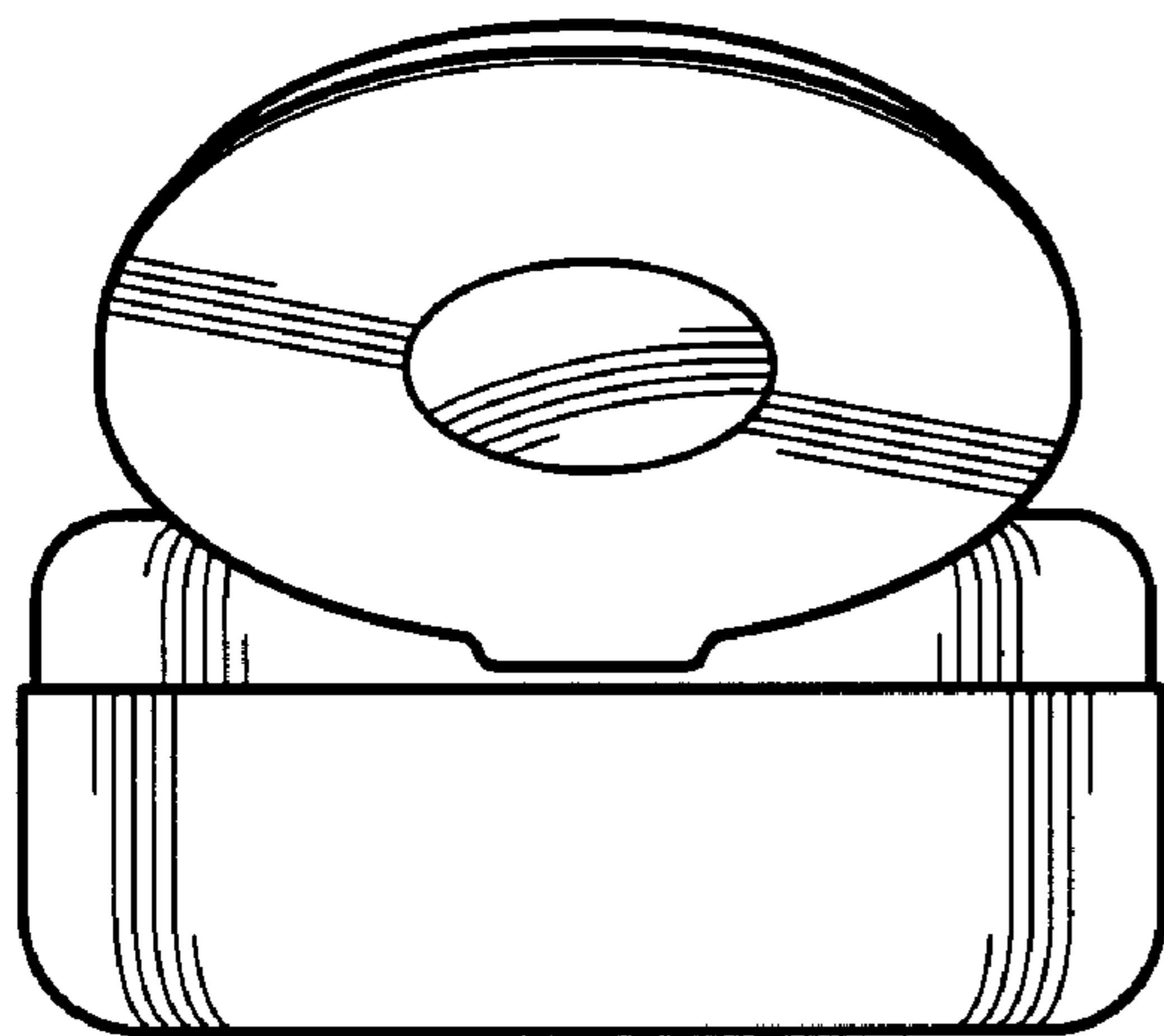


FIG. 8

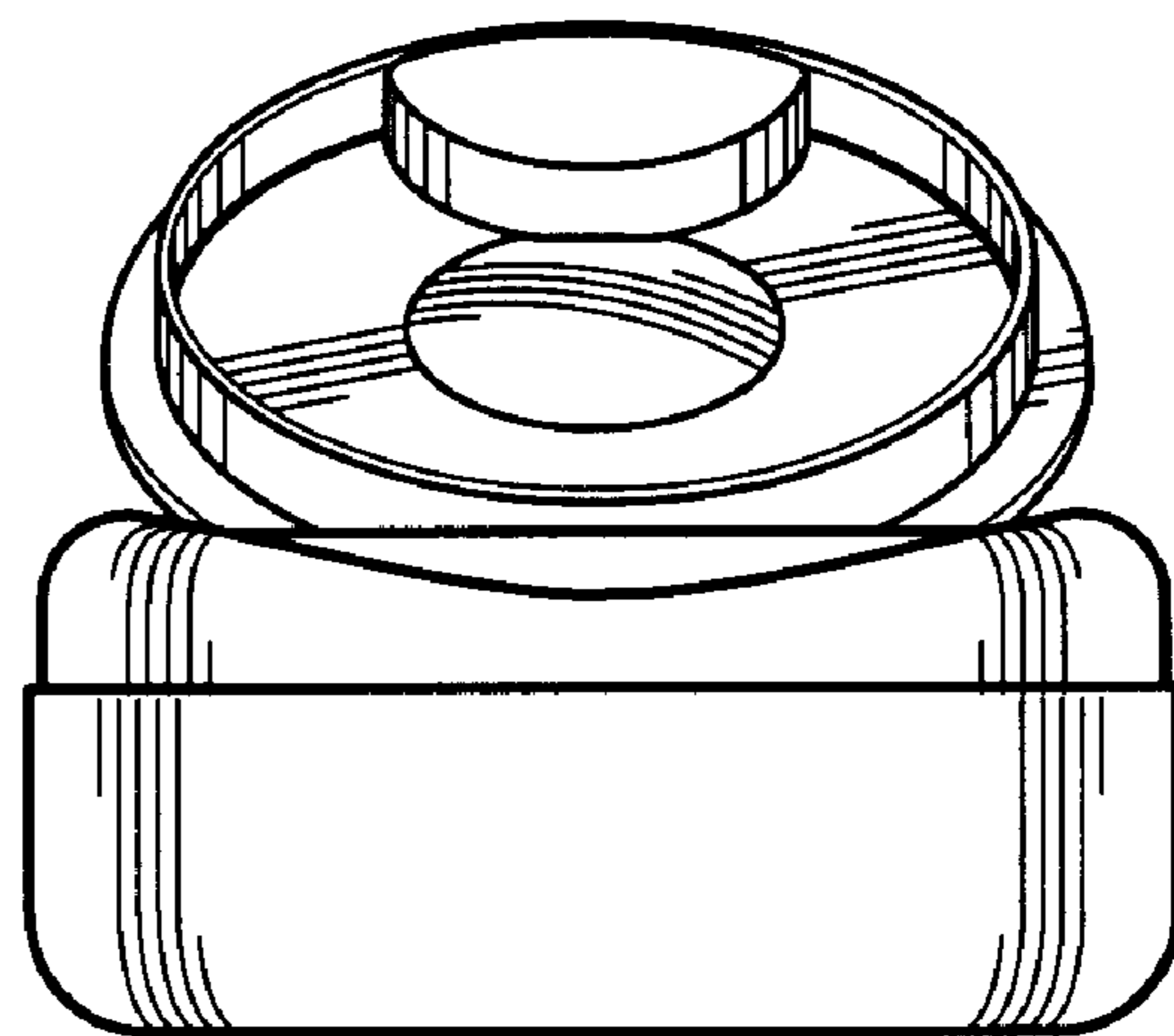


FIG. 9

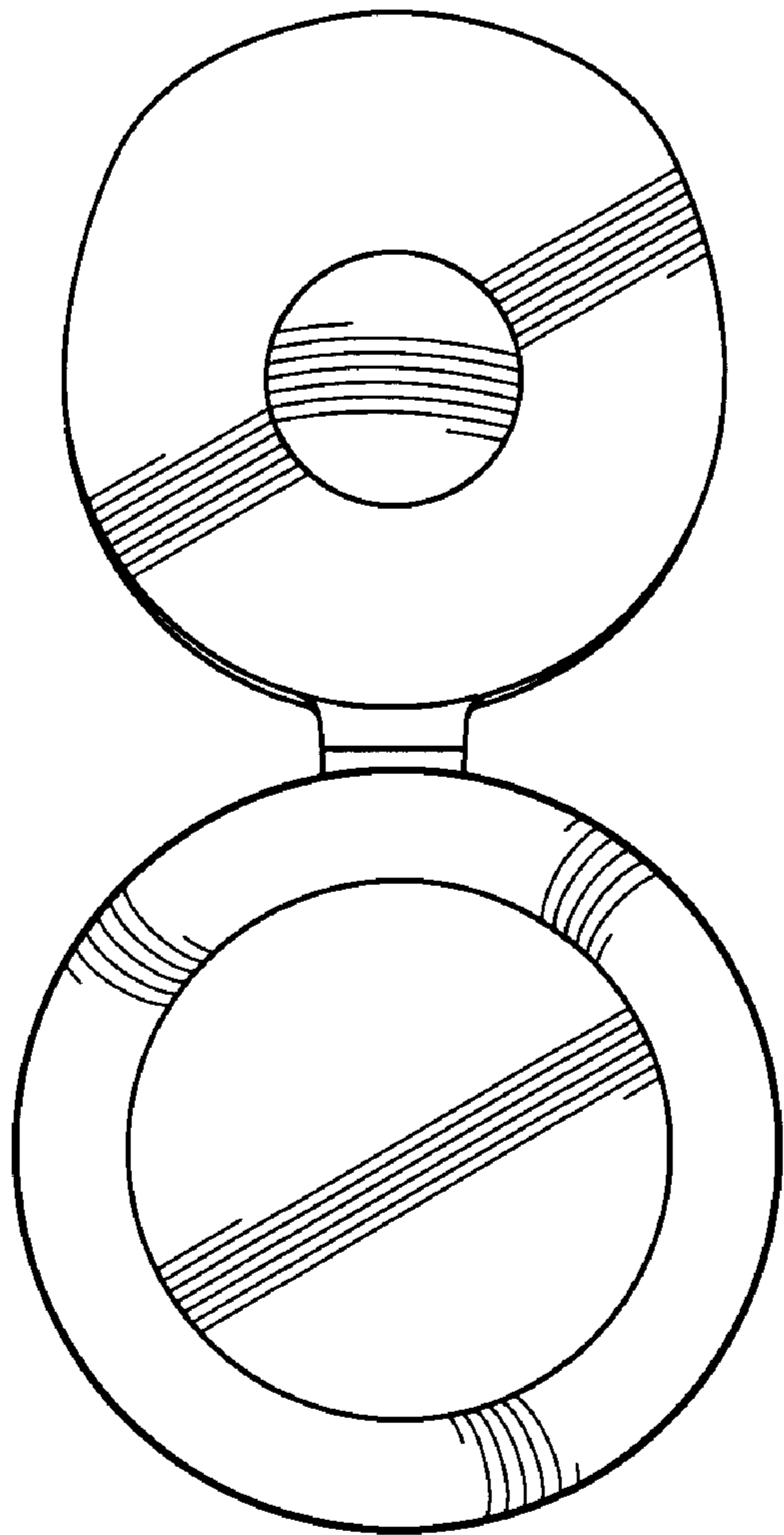


FIG. 10

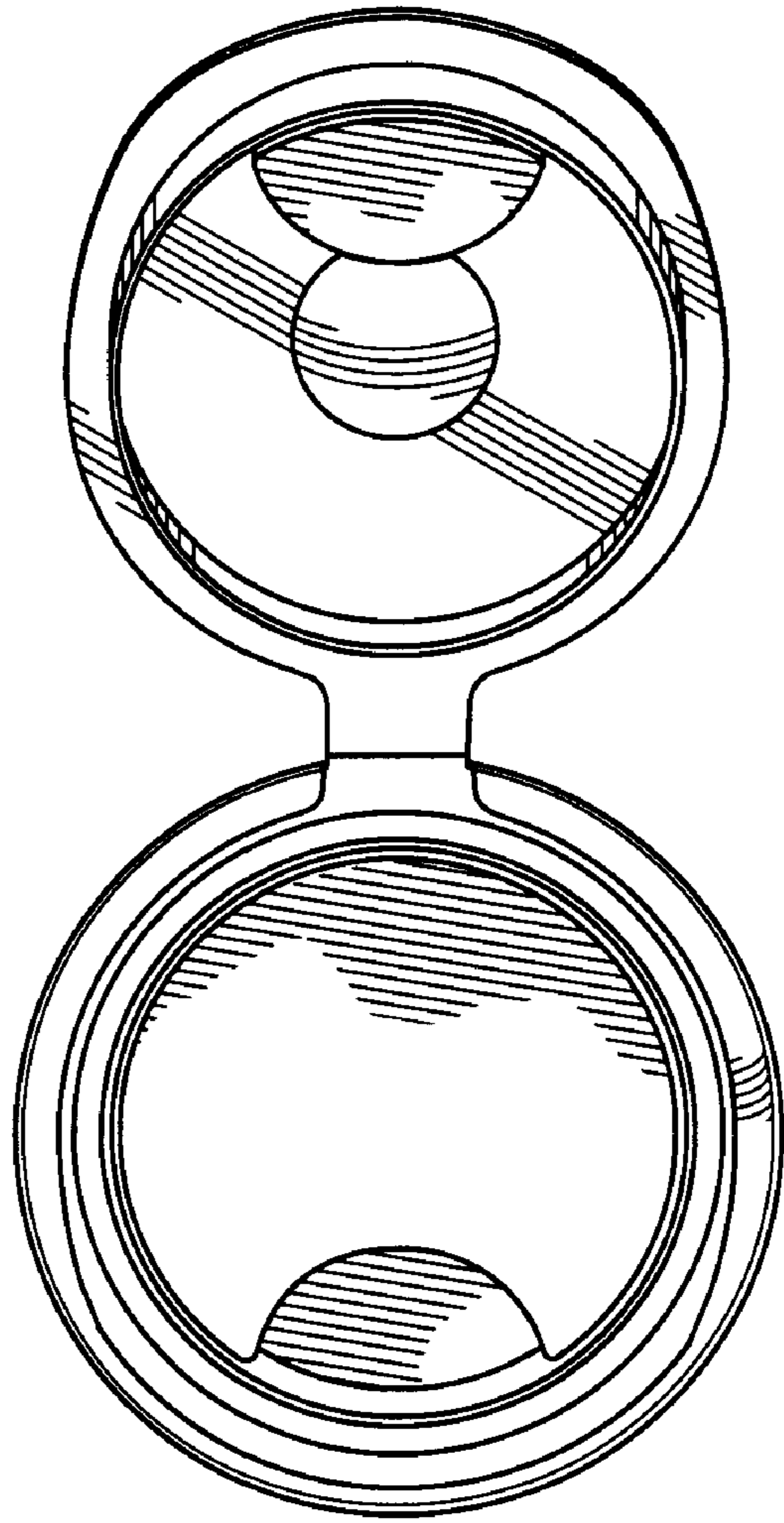


FIG. 11

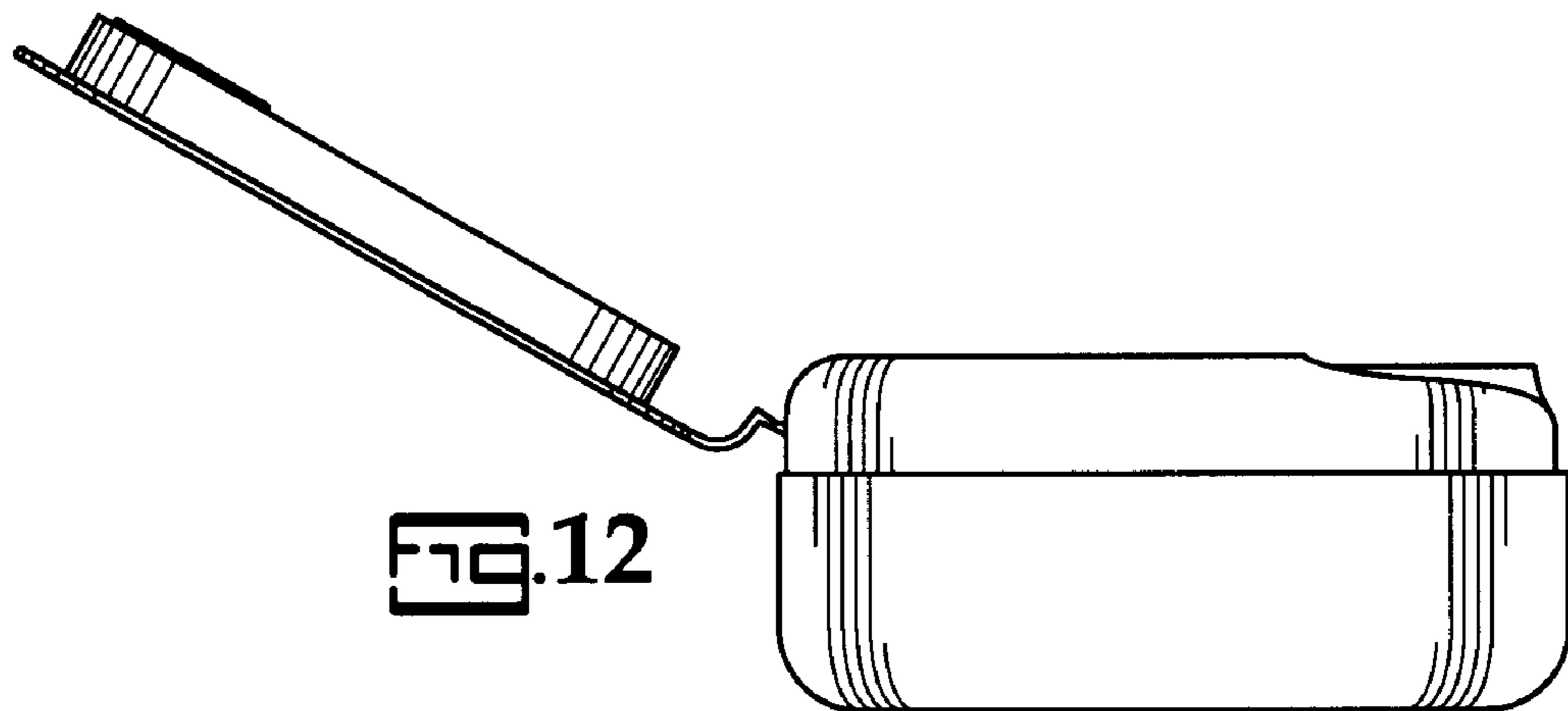


FIG. 12