



US00D544164S

(12) **United States Design Patent**
Hinkens

(10) **Patent No.:** **US D544,164 S**

(45) **Date of Patent:** **** Jun. 5, 2007**

(54) **EQUIPMENT DRYING TREE**

(76) Inventor: **William Hinkens**, 11735 Boulder Bay Rd., Eden Prairie, MN (US) 55344

(**) Term: **14 Years**

(21) Appl. No.: **29/218,875**

(22) Filed: **Dec. 8, 2004**

(51) **LOC (8) Cl.** **07-05**

(52) **U.S. Cl.** **D32/58**

(58) **Field of Classification Search** D32/60, D32/55-59, 63, 65; D6/552; 206/290; 211/204-206, 211/83.3, 94.3, 85.7, 59.1, 85.3, 189; 34/239
See application file for complete search history.

(56) **References Cited**

U.S. PATENT DOCUMENTS

1,581,463	A *	4/1926	Moors	211/207
2,010,093	A	8/1935	Lazarus		
2,084,854	A	6/1937	McCarthy		
D156,010	S	11/1949	Hutchings		
3,204,779	A *	9/1965	Warner	211/190
3,827,571	A *	8/1974	Koutny	211/59.1
D244,419	S	5/1977	Anderson		
4,592,473	A *	6/1986	Efrom	211/205
4,750,627	A *	6/1988	Myers	211/205
D306,533	S	3/1990	Fritsch		

5,369,893	A *	12/1994	Perito	34/239
D355,288	S	2/1995	Mallen		
D357,777	S	4/1995	Bray		
D369,032	S	4/1996	Huang et al.		
5,566,837	A	10/1996	Lema		
D394,926	S	6/1998	Lindsay		
5,862,924	A *	1/1999	Dumont	211/85.7
D487,831	S *	3/2004	Savoie	D32/58
6,726,033	B2 *	4/2004	Sparkowski et al.	211/85.3
6,749,073	B2 *	6/2004	McNab	211/85.3

OTHER PUBLICATIONS

Malenger, *Sport Rak*, Assembly Instructions, 2 pages.

* cited by examiner

Primary Examiner—Pamela J. Burgess

(74) *Attorney, Agent, or Firm*—Patterson, Thunte, Skaar & Christensen, P.A.

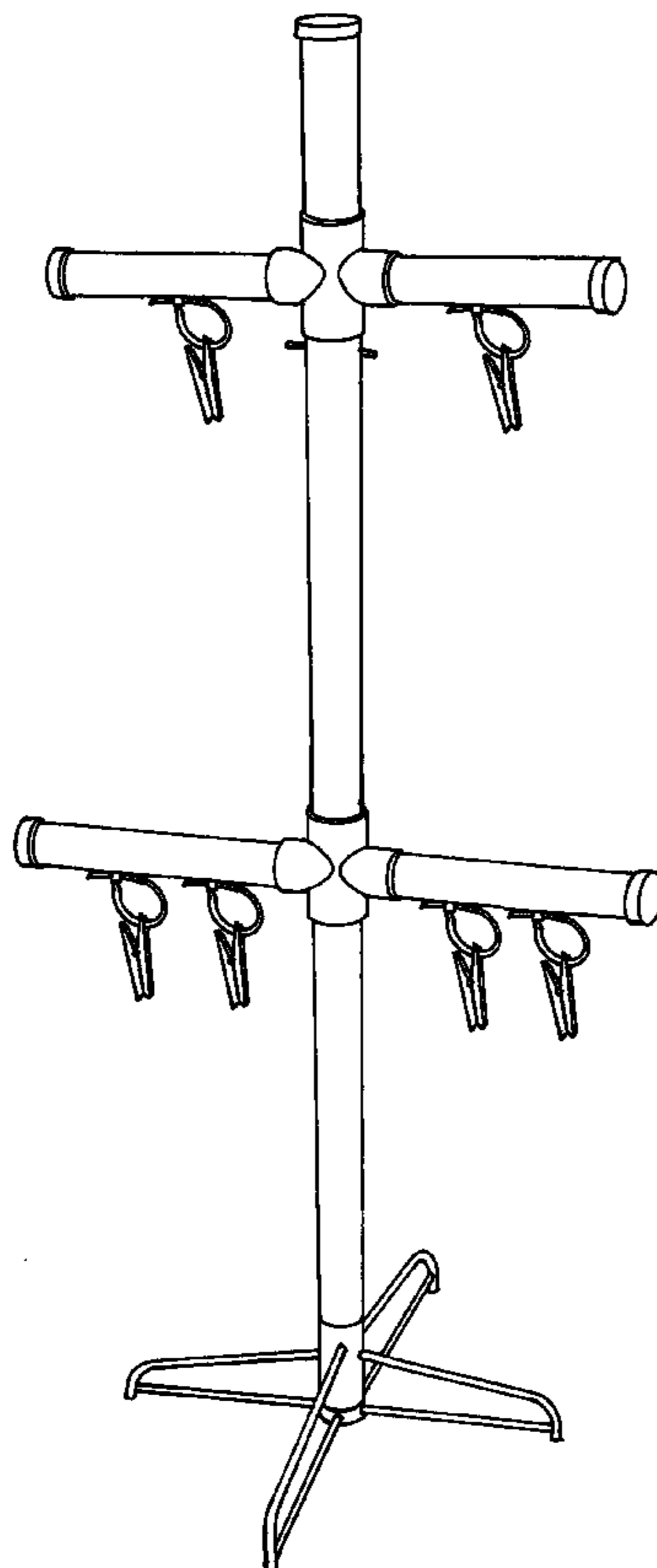
(57) **CLAIM**

I claim the ornamental design for equipment drying tree, as shown.

DESCRIPTION

FIG. 1 is a perspective view of an equipment drying tree according to an embodiment of the invention.

1 Claim, 1 Drawing Sheet



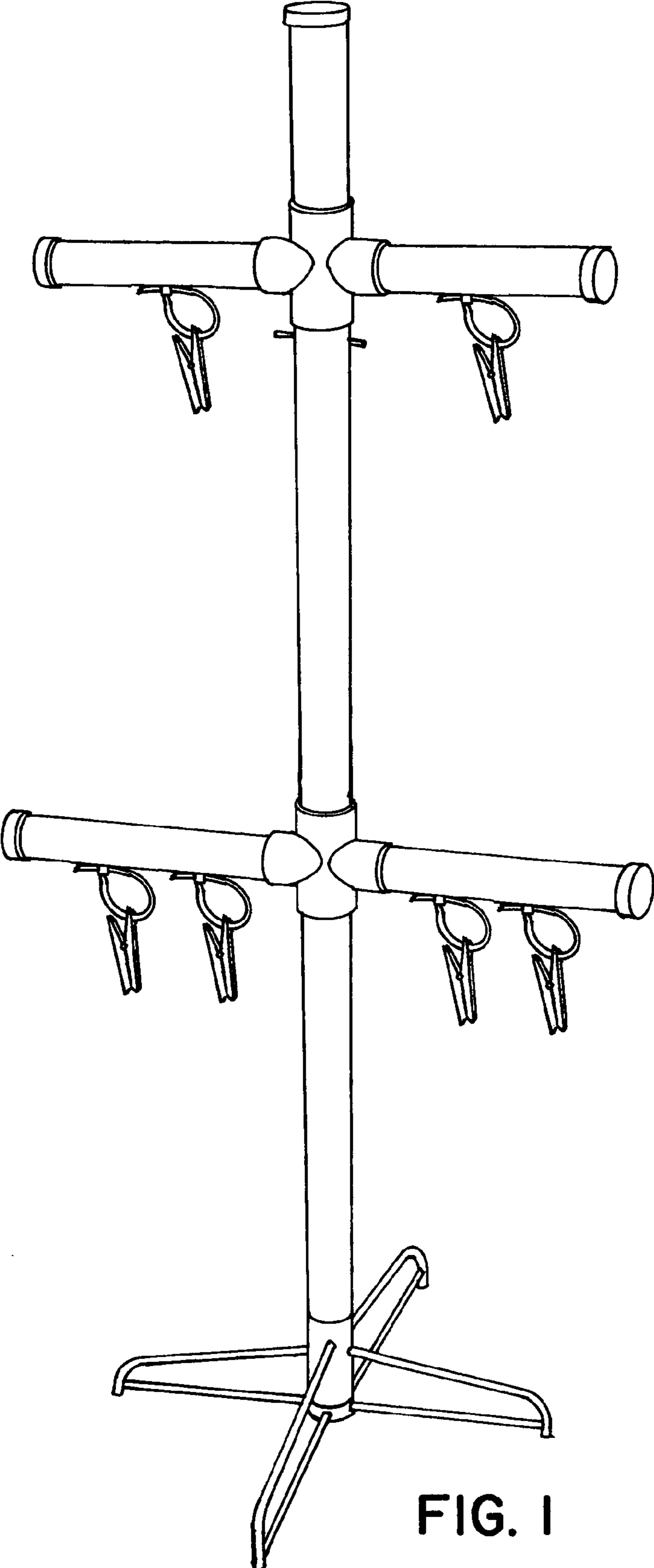


FIG. 1