

US00D544162S

(12) **United States Design Patent**
Uffner et al.

(10) **Patent No.:** **US D544,162 S**
(45) **Date of Patent:** **** Jun. 5, 2007**

(54) **ICE SCRAPER**

D501,608 S * 2/2005 Uffner et al. D4/118

(75) Inventors: **Michael Uffner**, Naperville, IL (US);
Torrence Anderson, Overland Park, KS (US)

* cited by examiner

Primary Examiner—Ian Simmons

Assistant Examiner—Barbara Fox

(73) Assignee: **Suncast Corporation**, Batavia, IL (US)

(74) *Attorney, Agent, or Firm*—McHale & Slavin, P.A.

(**) Term: **14 Years**

(57) **CLAIM**

(21) Appl. No.: **29/206,323**

The ornamental design for a ice scraper, as shown and described.

(22) Filed: **May 28, 2004**

DESCRIPTION

(51) **LOC (8) Cl.** **07-05**

FIG. 1 is a upper perspective view of the ice scraper of the instant invention;

(52) **U.S. Cl.** **D32/46**

FIG. 2 is a lower perspective view thereof;

(58) **Field of Classification Search** D32/40,
D32/41, 46, 49, 51, 52; 15/236.01, 236.02,
15/236.05, 236.06, 236.08; 30/169; D8/107
See application file for complete search history.

FIG. 3 is a front end view thereof;

FIG. 4 is a right side view thereof, the left side forming a mirror image thereof;

(56) **References Cited**

U.S. PATENT DOCUMENTS

D392,784 S *	3/1998	Hellinger et al.	D32/49
D415,325 S *	10/1999	Hellinger et al.	D32/49
D417,049 S *	11/1999	Hughes et al.	D32/49
D422,125 S *	3/2000	Sneed et al.	D32/49
D456,576 S *	4/2002	Philipson	D32/49
D459,847 S *	7/2002	Ingram	D32/49
D485,034 S *	1/2004	Anderson et al.	D32/49

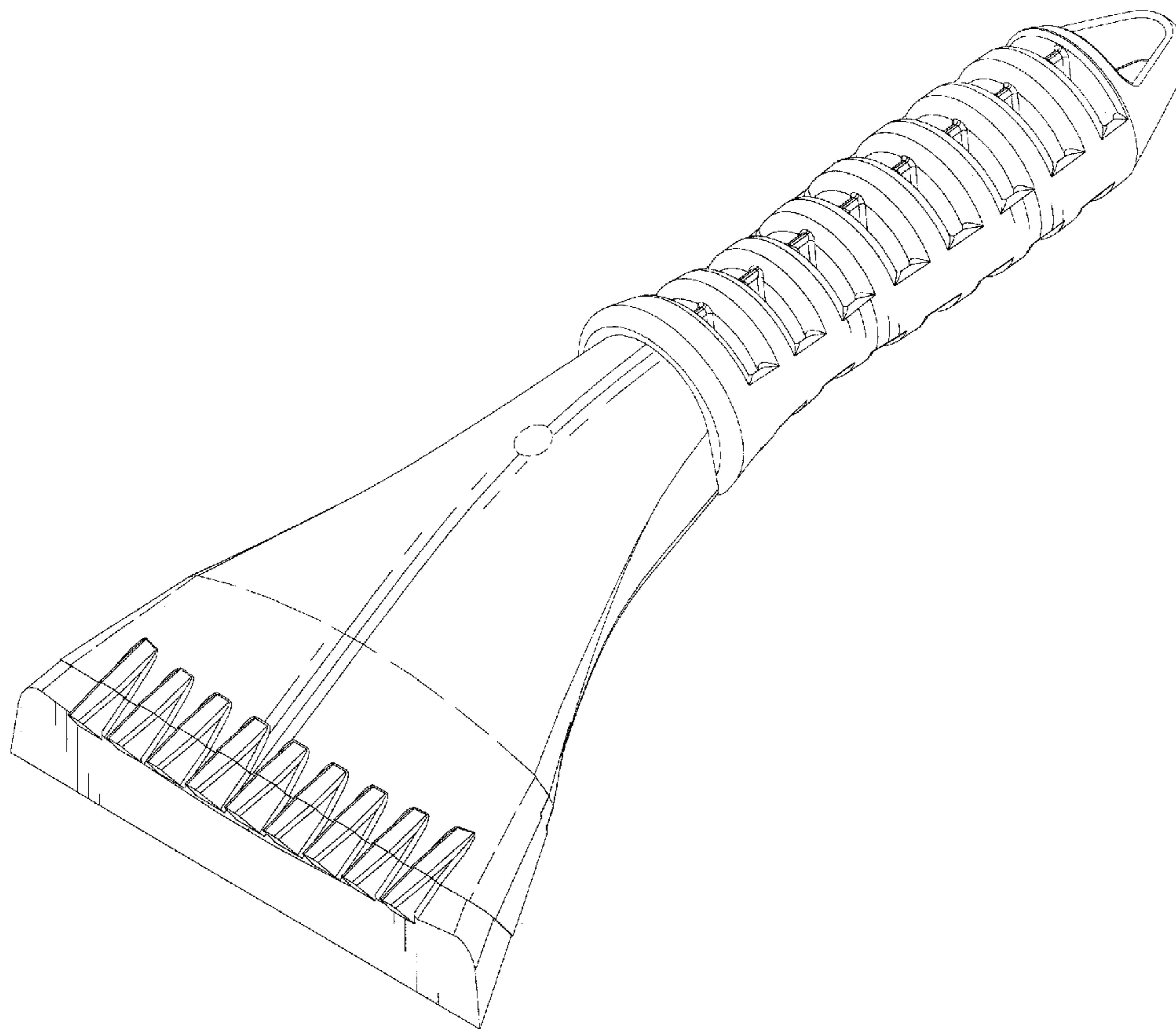
FIG. 5 is top view thereof;

FIG. 6 is a bottom view thereof;

FIG. 7 is an exploded view of FIG. 1 depicting the hardened tip; and,

FIG. 8 is an exploded view of FIG. 2 depicting the hardened tip.

1 Claim, 8 Drawing Sheets



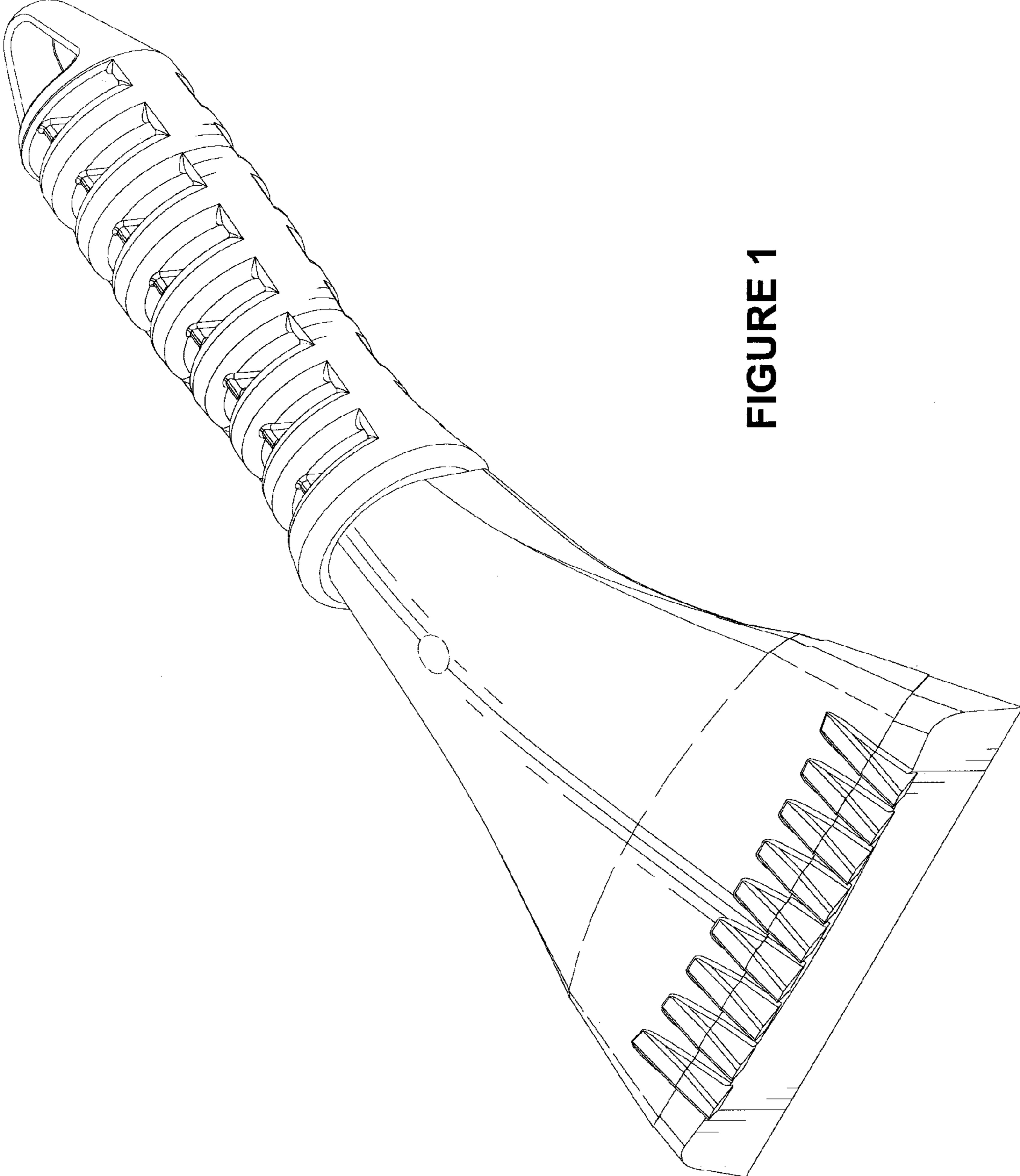


FIGURE 1

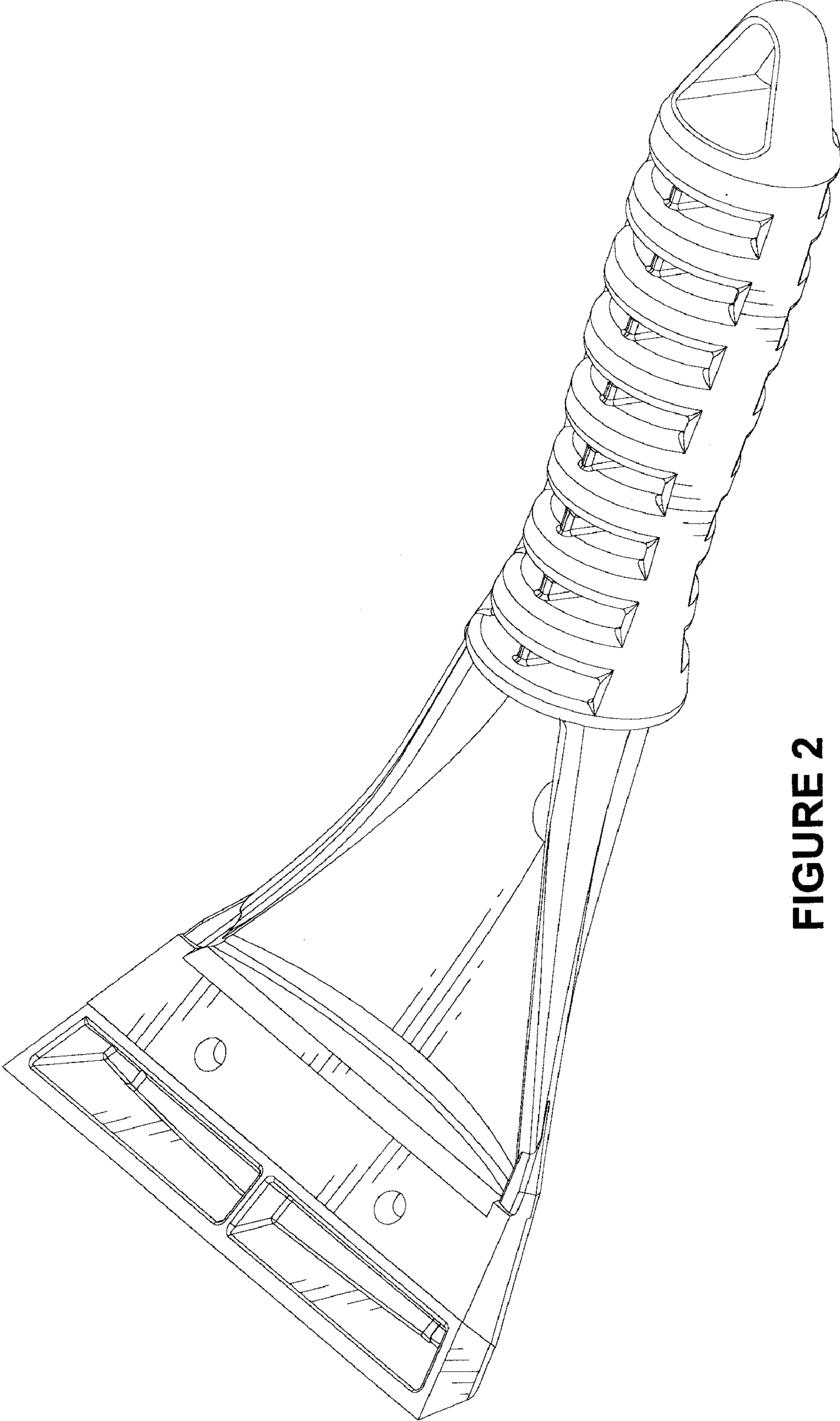


FIGURE 2

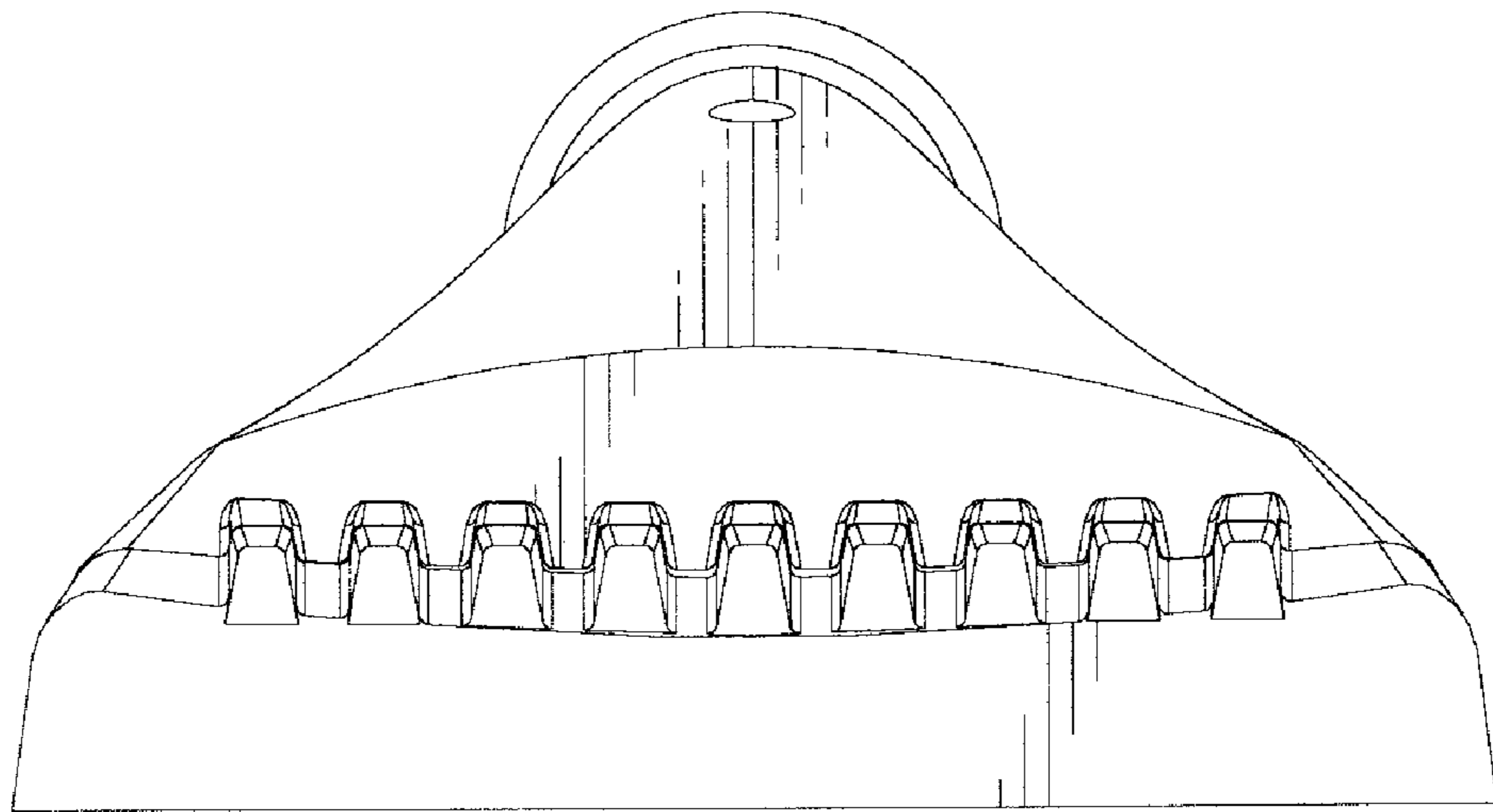


FIGURE 3

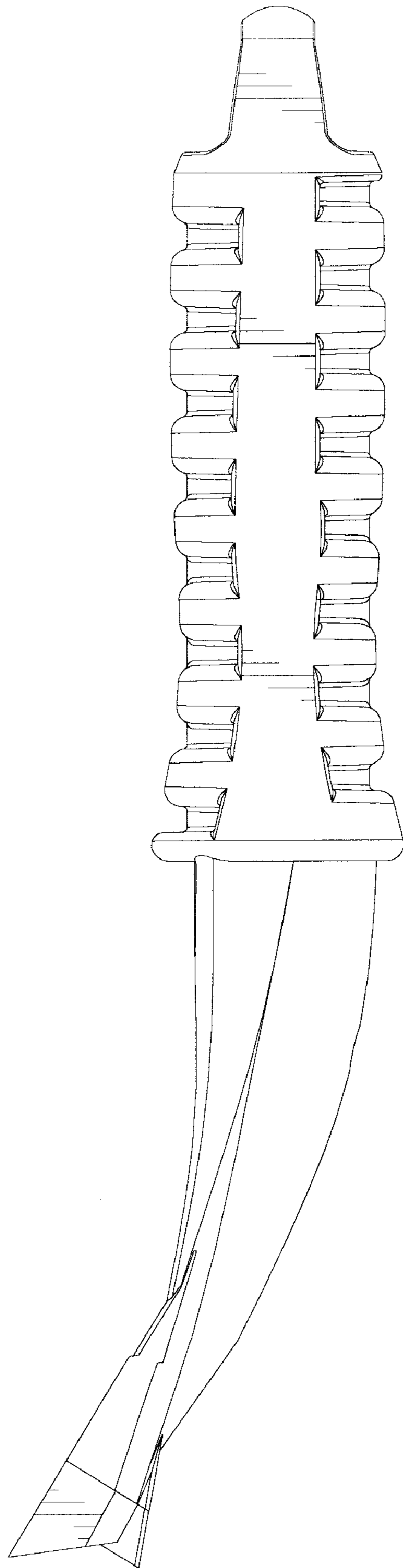


FIGURE 4

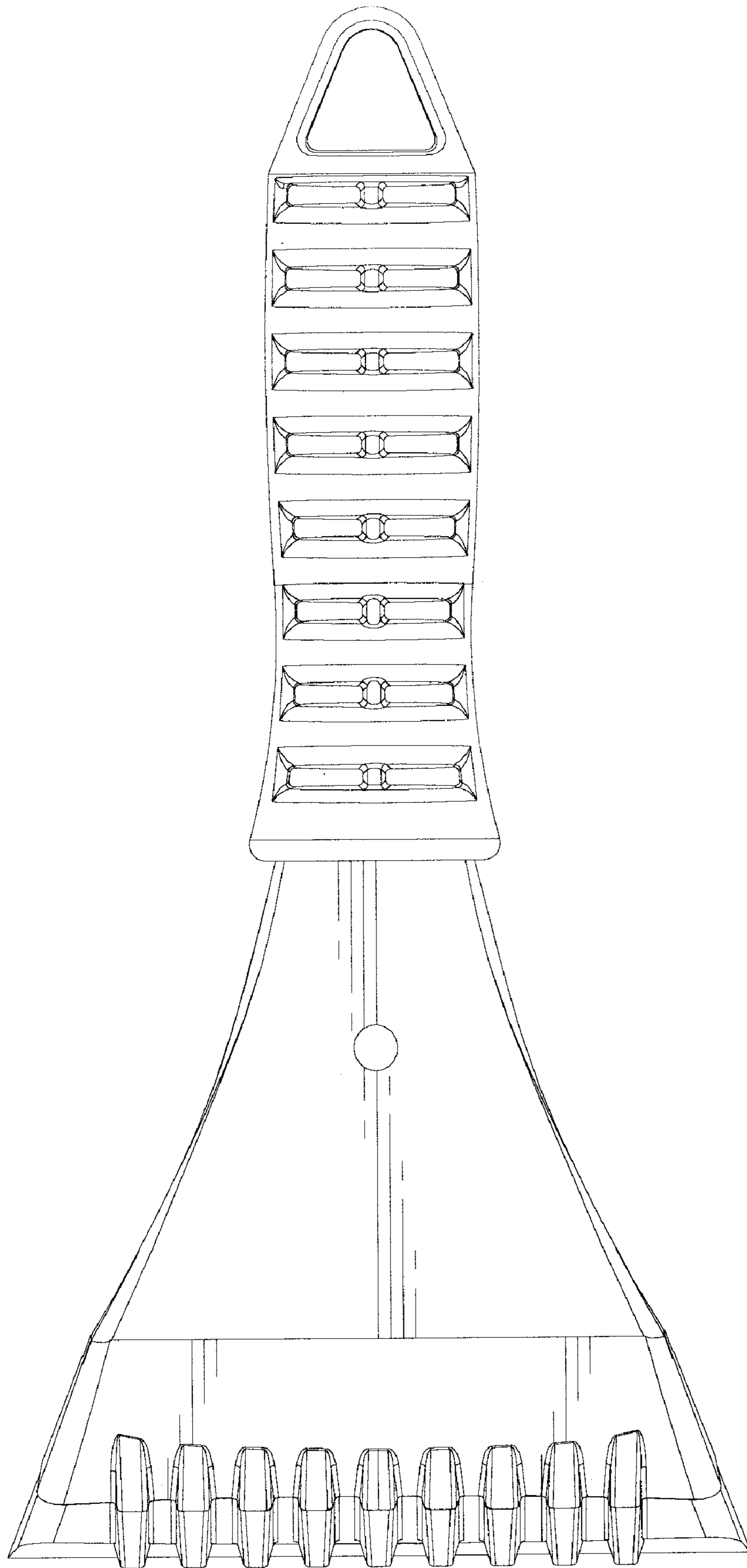


FIGURE 5

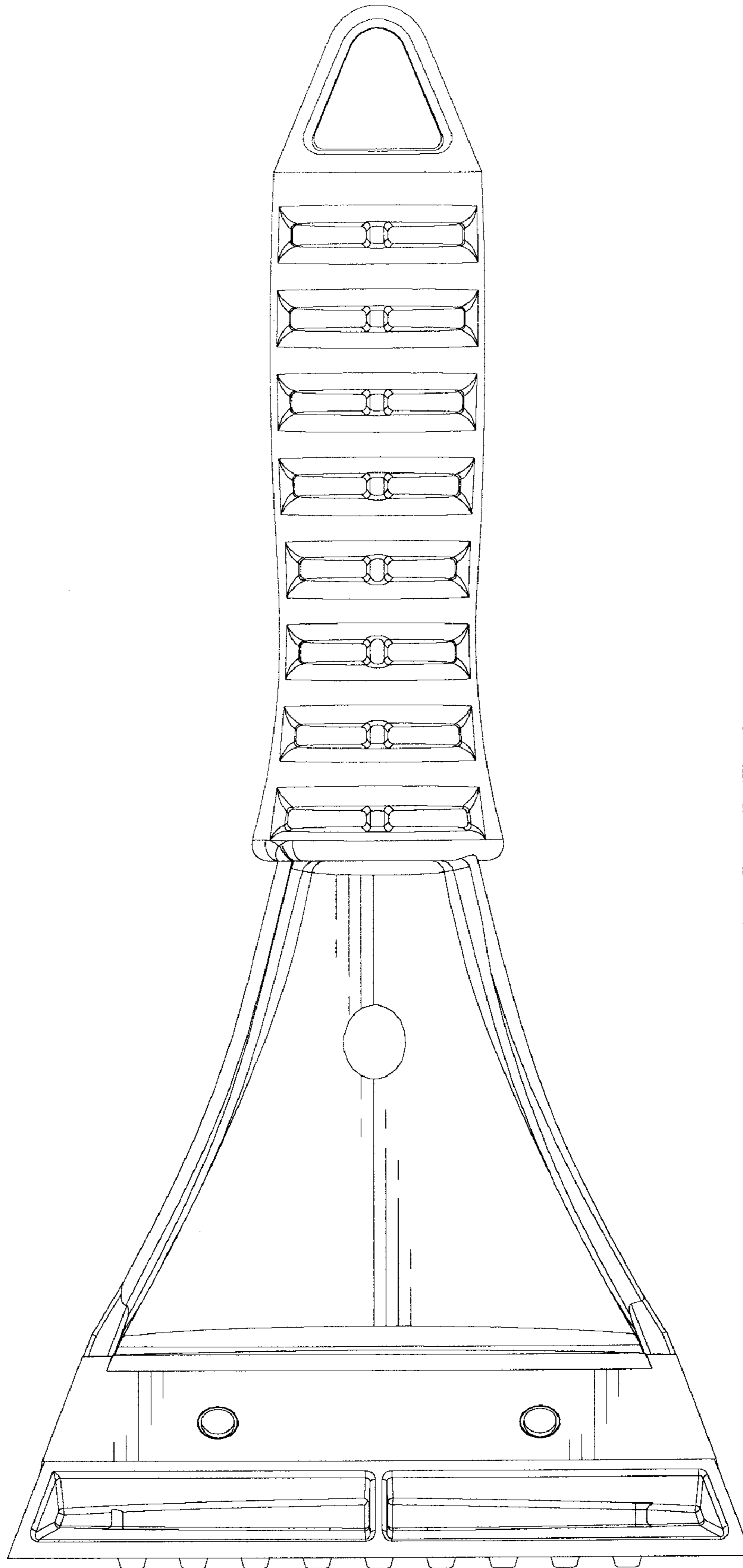


FIGURE 6

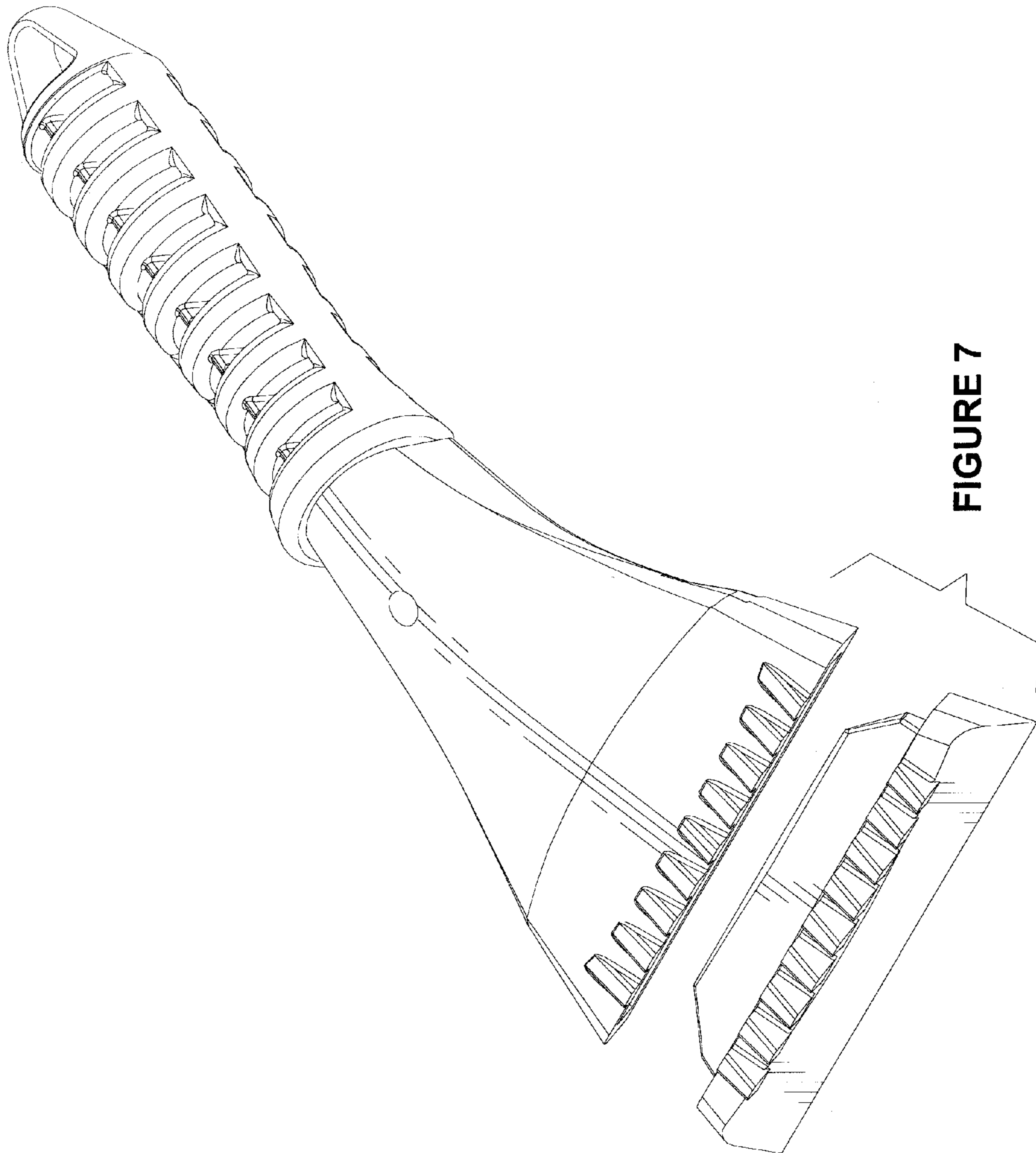


FIGURE 7

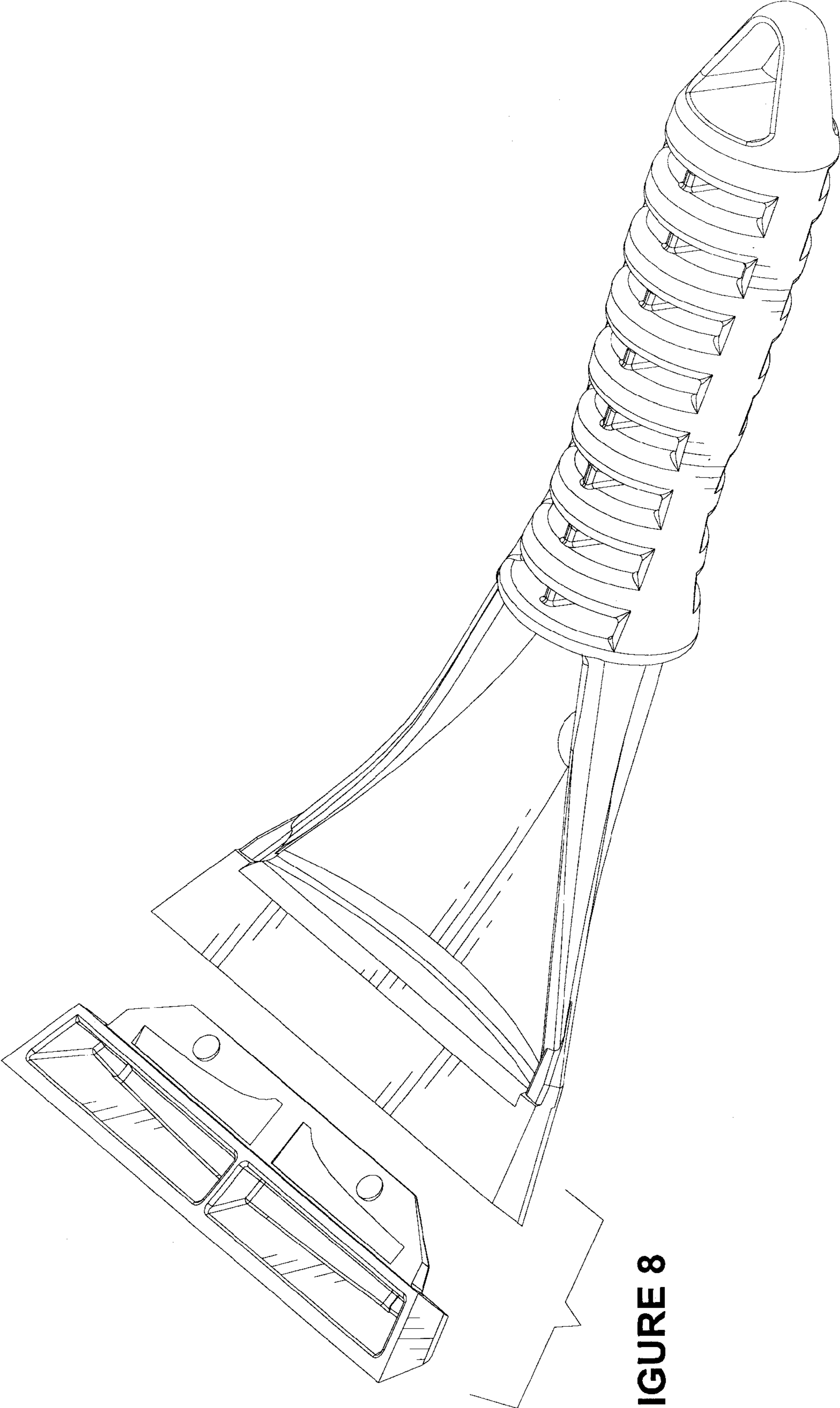


FIGURE 8