



US00D544161S

(12) **United States Design Patent**
Weaver

(10) **Patent No.:** **US D544,161 S**

(45) **Date of Patent:** **** Jun. 5, 2007**

(54) **ROLLER MOP**

(74) *Attorney, Agent, or Firm*—Stuart M. Goldstein

(75) Inventor: **Jace A. Weaver**, Gilbertsville, PA (US)

(57) **CLAIM**

(73) Assignee: **Quickie Manufacturing Corporation**,
Cinnaminson, NJ (US)

The ornamental design for a roller mop, as shown and described.

(**) Term: **14 Years**

(21) Appl. No.: **29/220,962**

DESCRIPTION

(22) Filed: **Jan. 7, 2005**

(51) **LOC (8) Cl.** **04-01**

(52) **U.S. Cl.** **D32/44; D32/50**

(58) **Field of Classification Search** D32/40,
D32/42, 44, 50, 51; 15/114, 115, 118, 116.1,
15/116.2, 119.1, 119.2, 244.1

See application file for complete search history.

FIG. 1 shows the rear view of the roller mop of the present invention.

FIG. 2 shows the front view of the roller mop of the present invention.

FIG. 3 shows an elevation view of the roller mop of the present invention.

FIG. 4 shows the opposite elevation view of the roller mop of the present invention.

FIG. 5 shows the top view of the roller mop of the present invention; and,

FIG. 6 shows the bottom view of the roller mop of the present invention.

The broken line showing of a handle is included for the purpose of illustrating a portion of the article that forms no part of the claimed design.

(56) **References Cited**

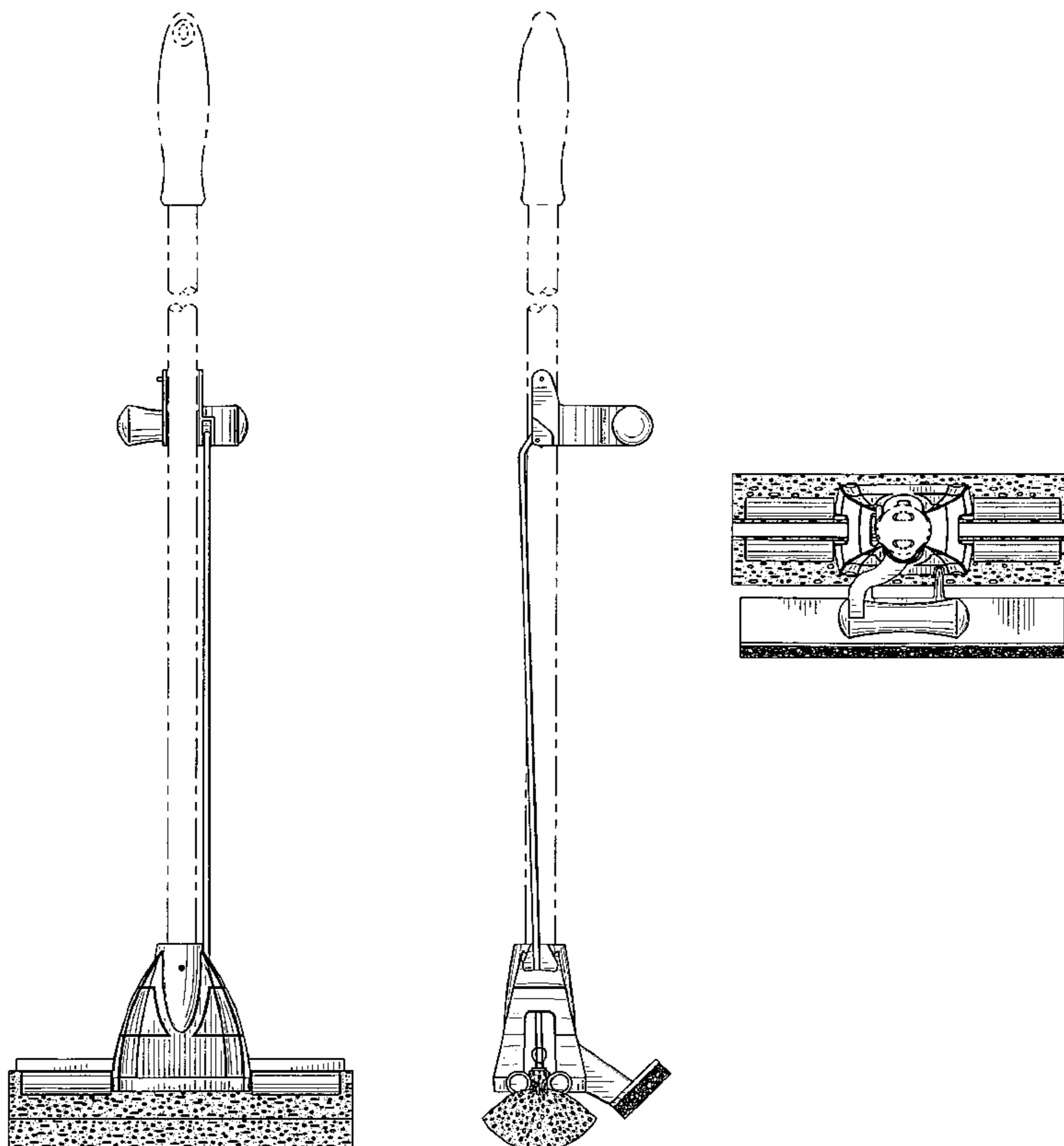
U.S. PATENT DOCUMENTS

D295,912 S *	5/1988	Jones et al.	D32/44
D410,783 S *	6/1999	Camp, Jr. et al.	D32/44
6,000,087 A *	12/1999	Petner	15/119.2
6,305,042 B1 *	10/2001	Lalli	15/119.2

* cited by examiner

Primary Examiner—Alan P. Douglas
Assistant Examiner—Lavone D. Tabor

1 Claim, 4 Drawing Sheets



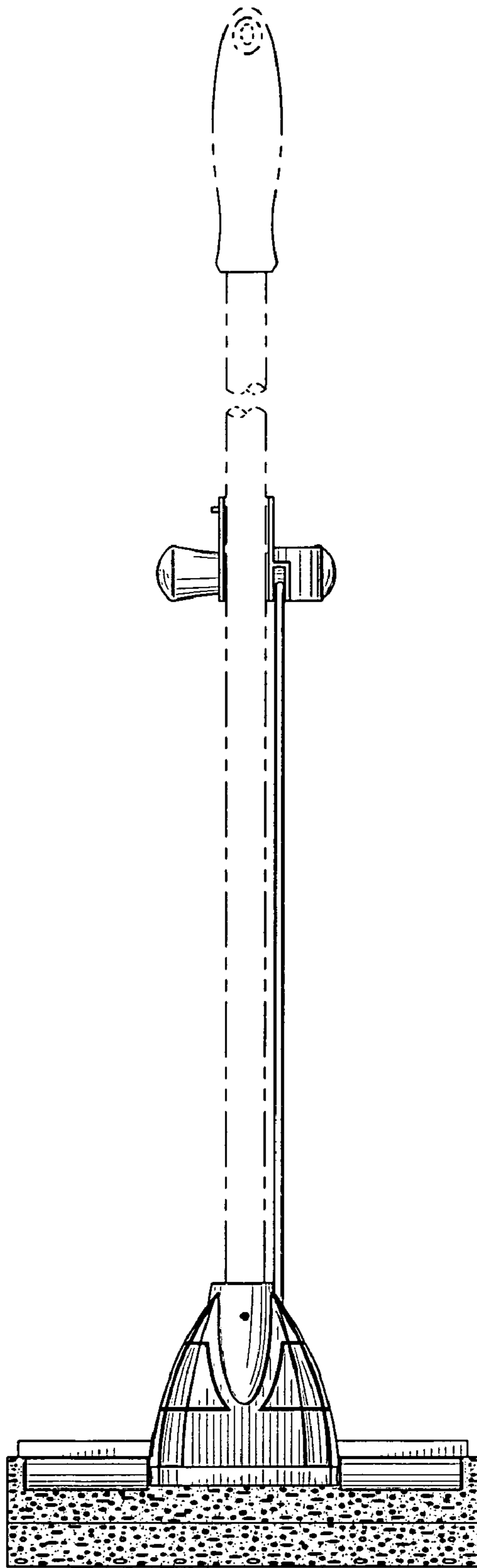


FIG. 1

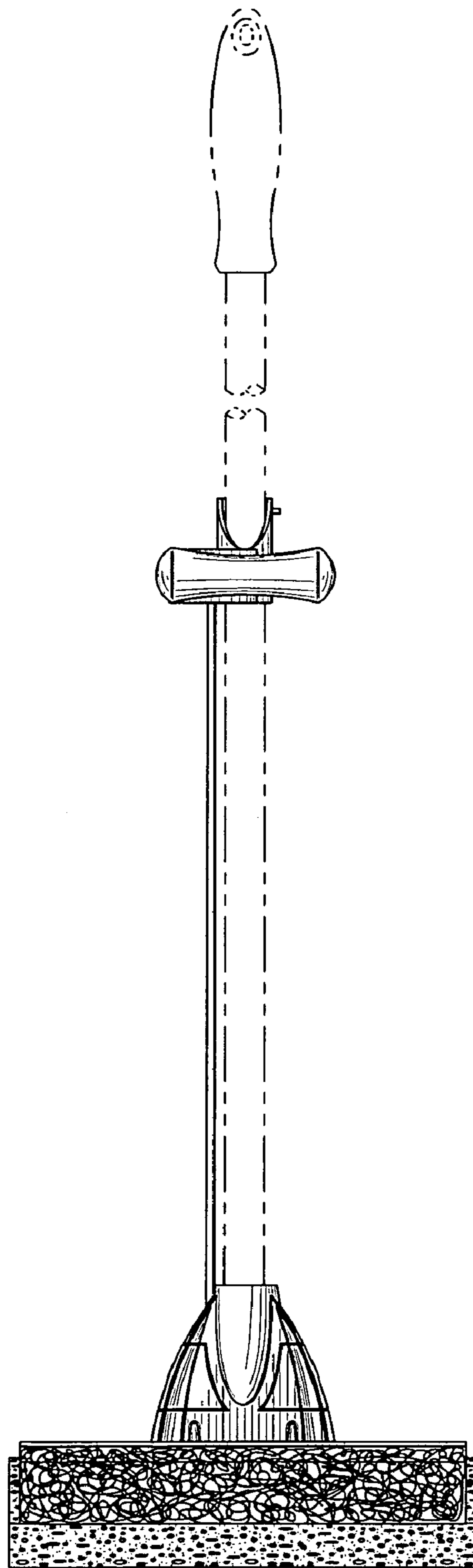


FIG. 2

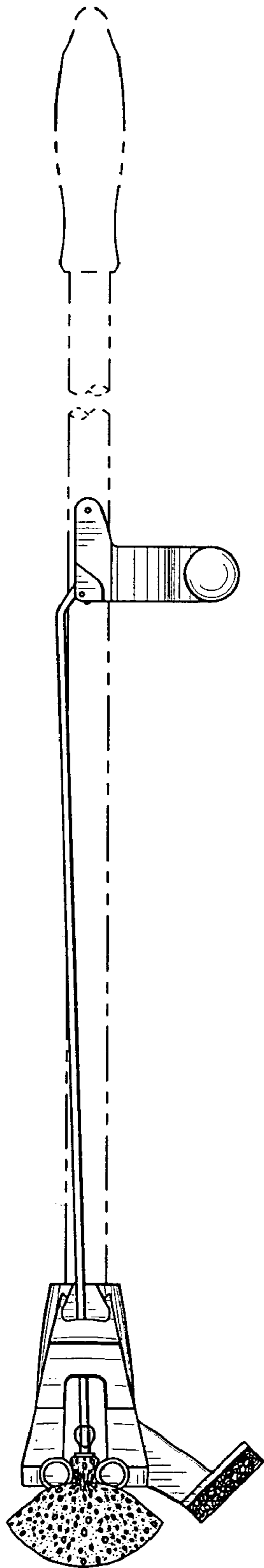


FIG. 3

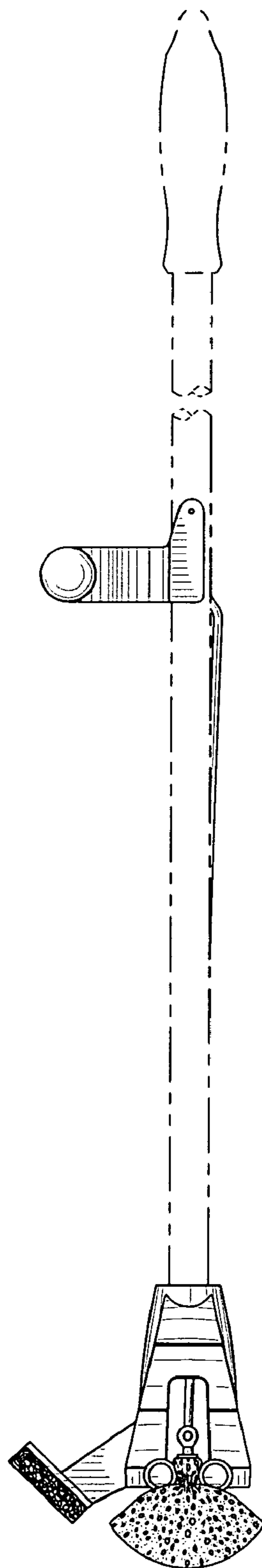


FIG. 4

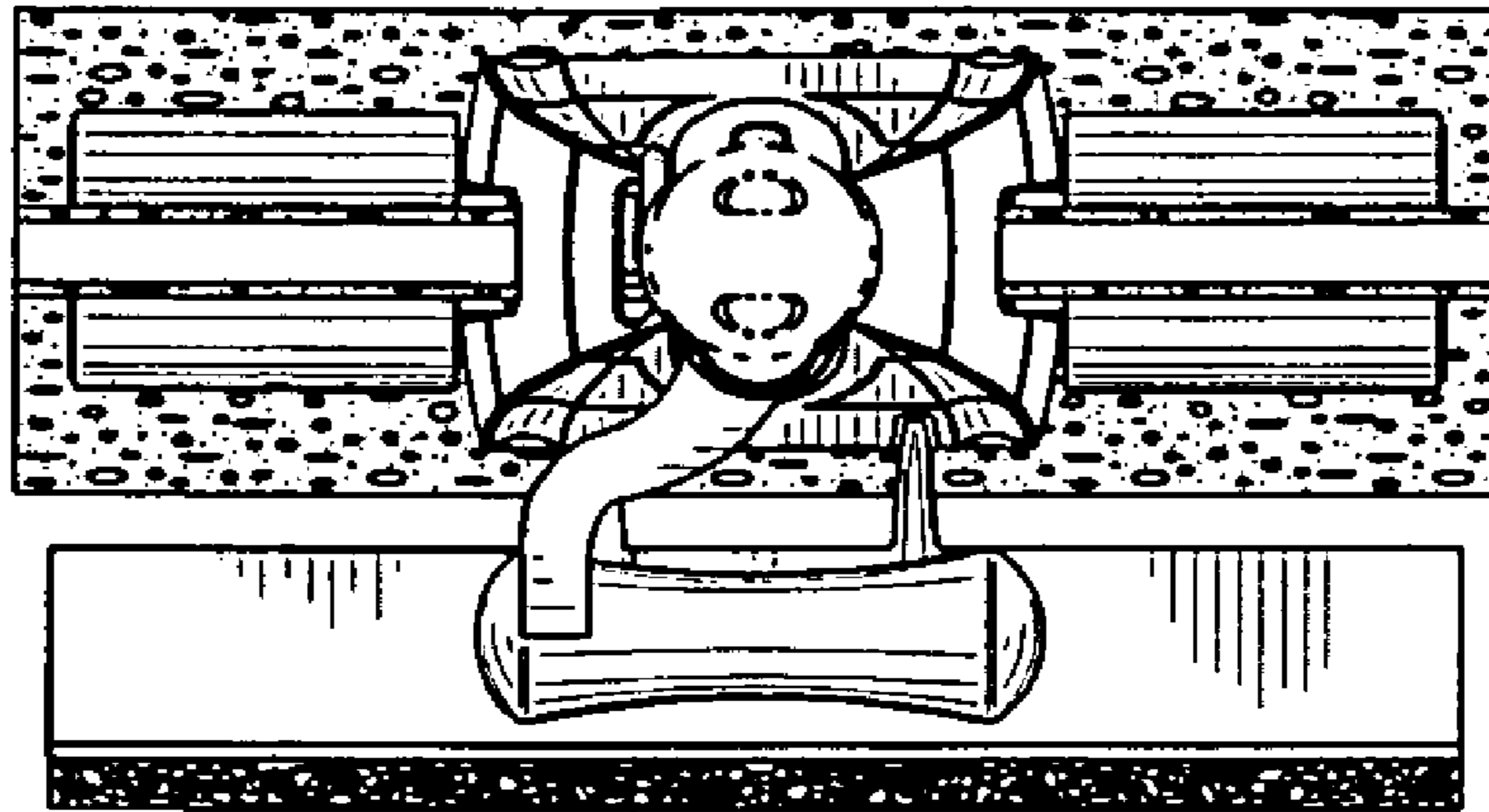


FIG. 5

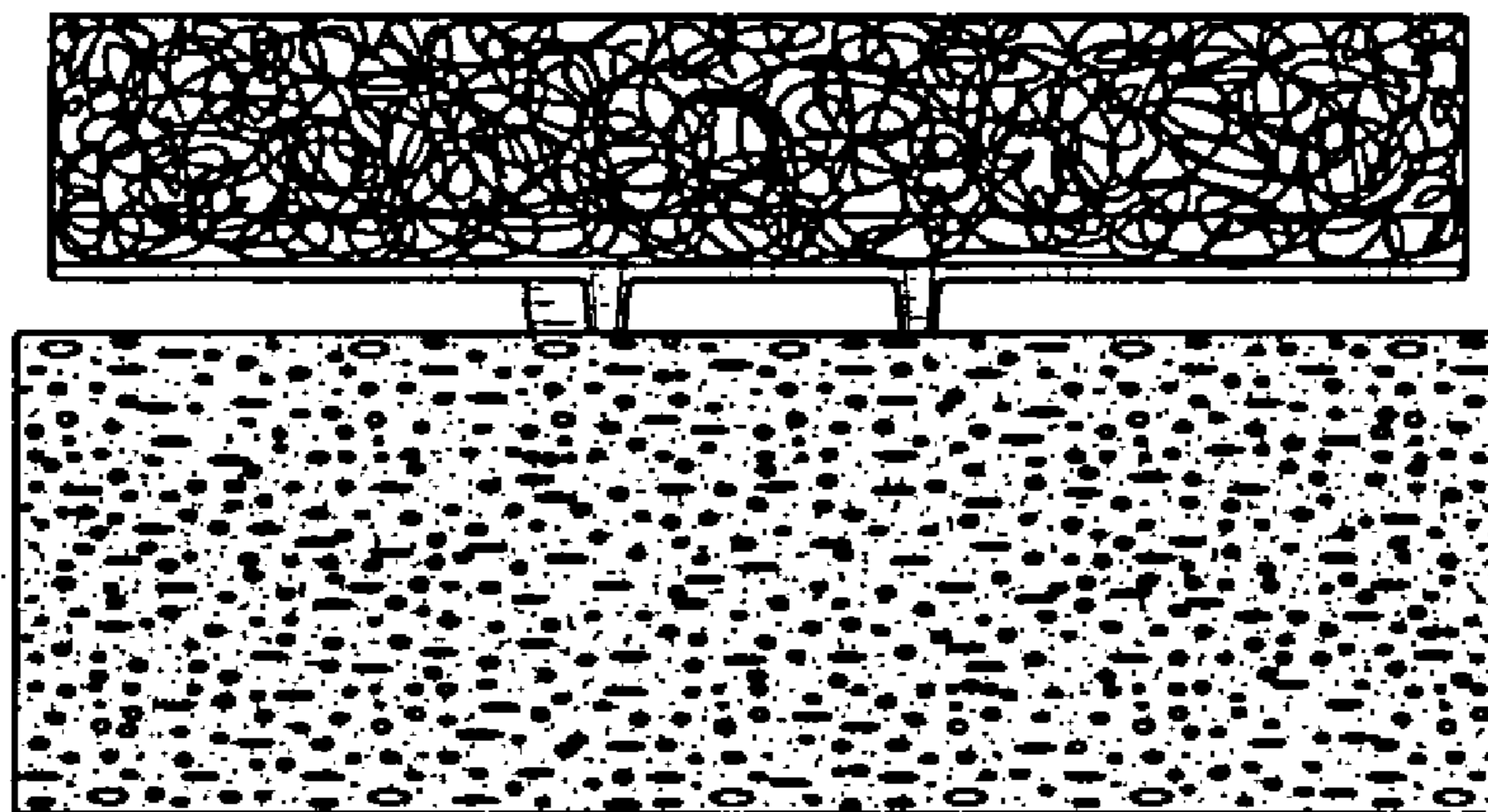


FIG. 6