

US00D544159S

(12) **United States Design Patent**
McCoy et al.

(10) **Patent No.:** **US D544,159 S**
(45) **Date of Patent:** **** Jun. 5, 2007**

(54) **LAUNDRY BASKET**

(75) Inventors: **Ryan P. McCoy**, Falcon Heights, MN (US); **James A. Wilson**, Minneapolis, MN (US); **Nathan S. Favero**, Granite Bay, CA (US)

(73) Assignee: **Target Brands, Inc.**, Minneapolis, MN (US)

(**) Term: **14 Years**

(21) Appl. No.: **29/239,891**

(22) Filed: **Oct. 5, 2005**

(51) **LOC (8) Cl.** **07-07**

(52) **U.S. Cl.** **D32/37**

(58) **Field of Classification Search** D32/37;
D34/19; 280/638, 641, 651, 47.34, 79.2
See application file for complete search history.

(56) **References Cited**

U.S. PATENT DOCUMENTS

2,597,544	A	5/1952	Swain	
D233,207	S *	10/1974	Molzen	D32/37
D264,040	S *	4/1982	Kunze	D32/37
5,040,811	A	8/1991	Busken et al.	
5,145,082	A *	9/1992	Craft et al.	220/755
D343,711	S *	1/1994	Craft et al.	D32/37
D348,128	S *	6/1994	Craft et al.	D32/37
D350,423	S *	9/1994	Craft et al.	D32/37
D351,266	S *	10/1994	Licari	D32/37
5,511,807	A	4/1996	Snyder	
5,671,933	A	9/1997	Tucker	
D419,734	S	1/2000	Adams	
6,019,381	A *	2/2000	Krawczyk	280/47.18
6,036,204	A	3/2000	Craft et al.	
D431,099	S *	9/2000	Douglas	D32/37
D440,020	S *	4/2001	Ronson et al.	D32/37

6,651,992	B1	11/2003	Smith, Sr.	
D486,619	S *	2/2004	Rivera et al.	D34/19
D491,327	S	6/2004	Gambino	
6,761,367	B2	7/2004	Fite	
6,827,364	B1	12/2004	Martin	
D520,707	S *	5/2006	Phillips, II	D34/19
D533,327	S *	12/2006	McCaskill	D34/17
2005/0006877	A1	1/2005	Kachkovsky	

* cited by examiner

Primary Examiner—Alan P. Douglas

Assistant Examiner—Barbara Fox

(74) *Attorney, Agent, or Firm*—Dicke, Billig, & Czaja, P.L.L.C.

(57) **CLAIM**

The ornamental design for a laundry basket, as shown and described.

DESCRIPTION

FIG. 1 is a perspective view of a laundry basket with a handle in an extended position;

FIG. 2 is a front view thereof;

FIG. 3 is a back view thereof;

FIG. 4 is a left side thereof, with the right side being a mirror image;

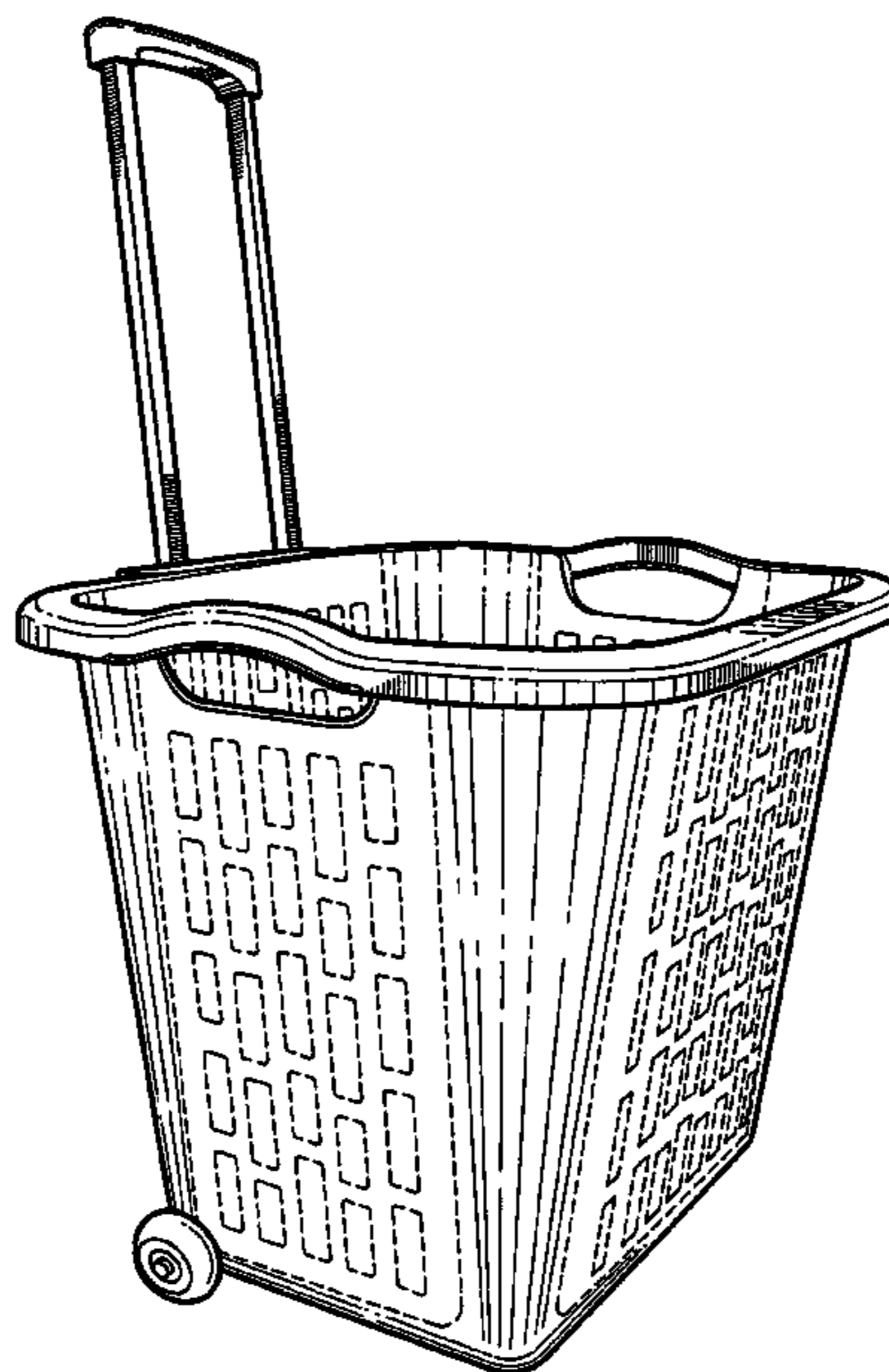
FIG. 5 is a top view of a laundry basket with a handle in an extended position;

FIG. 6 is a bottom view thereof; and,

FIG. 7 is a perspective view of a laundry basket in an alternative view, with a handle in a retracted position.

The broken line showing of a laundry basket is included for the purpose of illustrating portions of the article and forms no part of the claimed design.

1 Claim, 7 Drawing Sheets



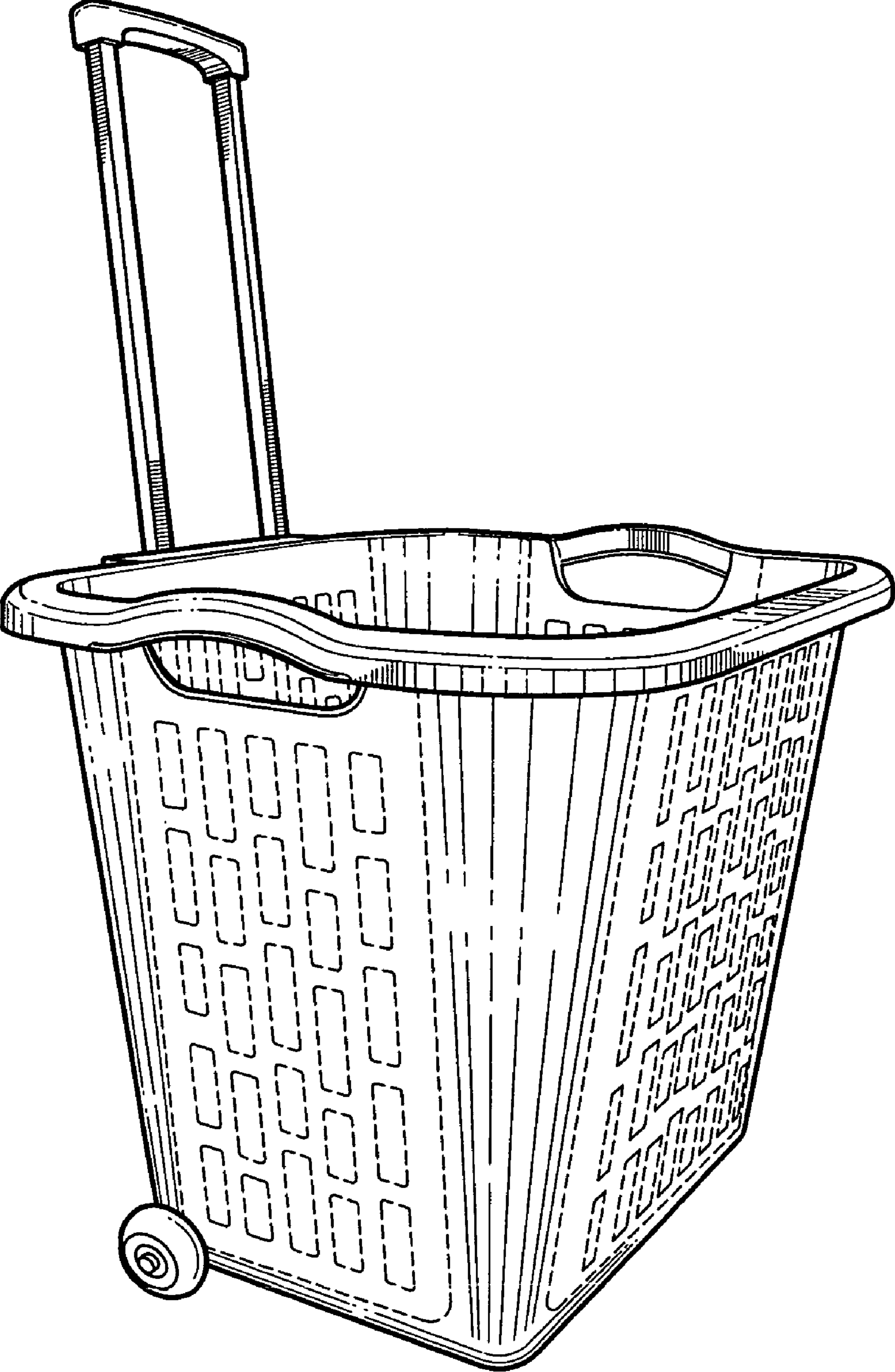


FIG. 1

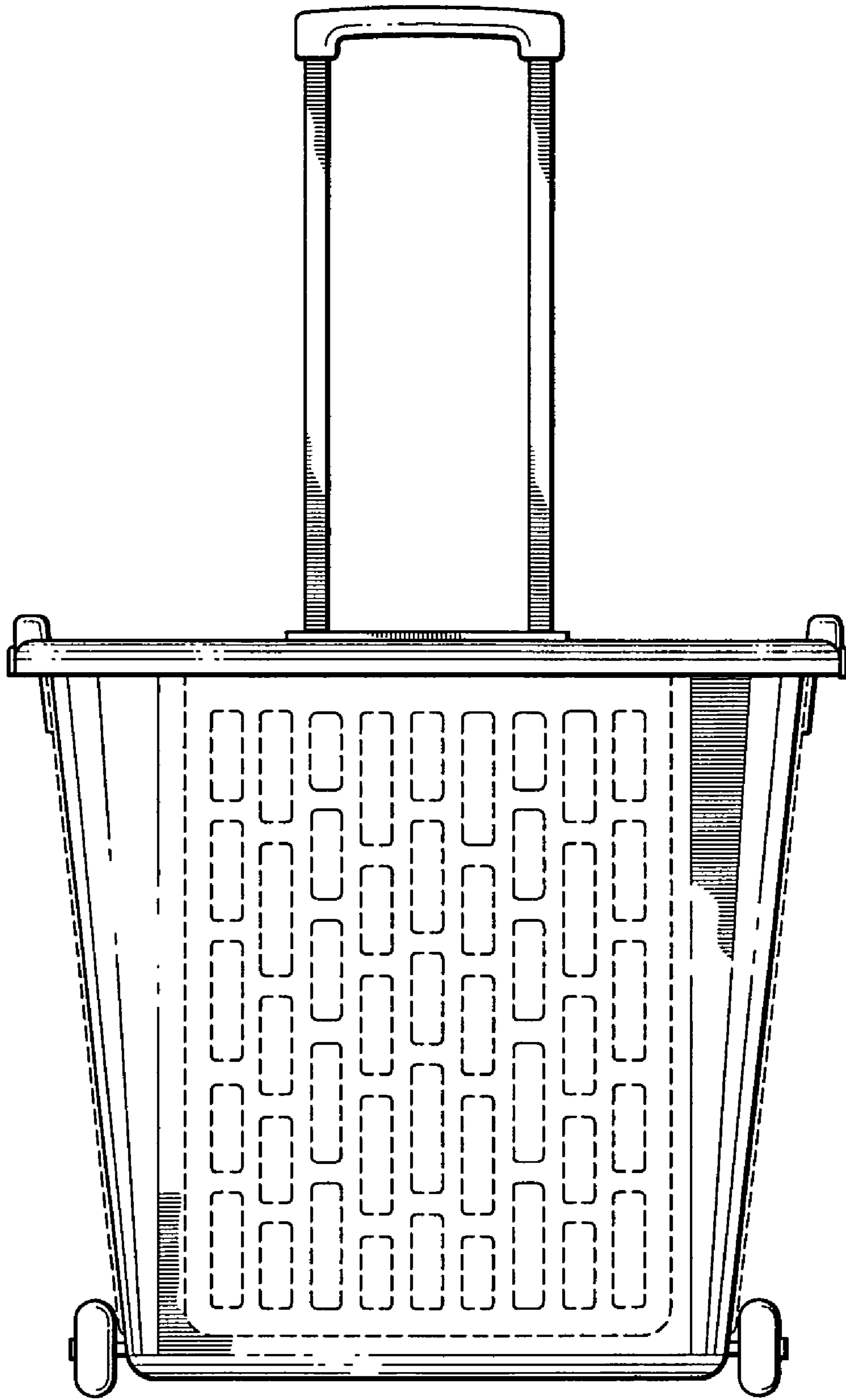


FIG. 2

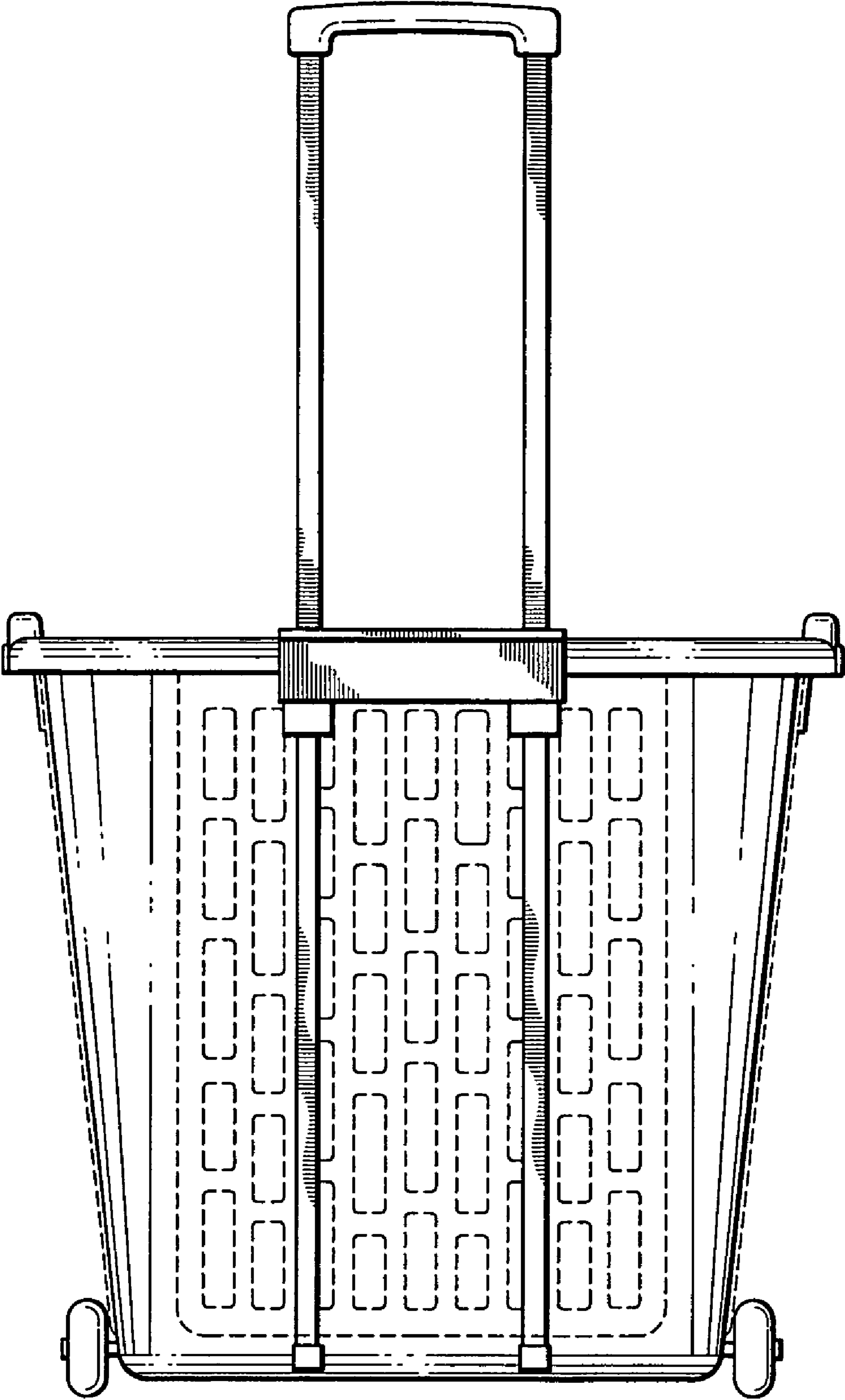


FIG. 3

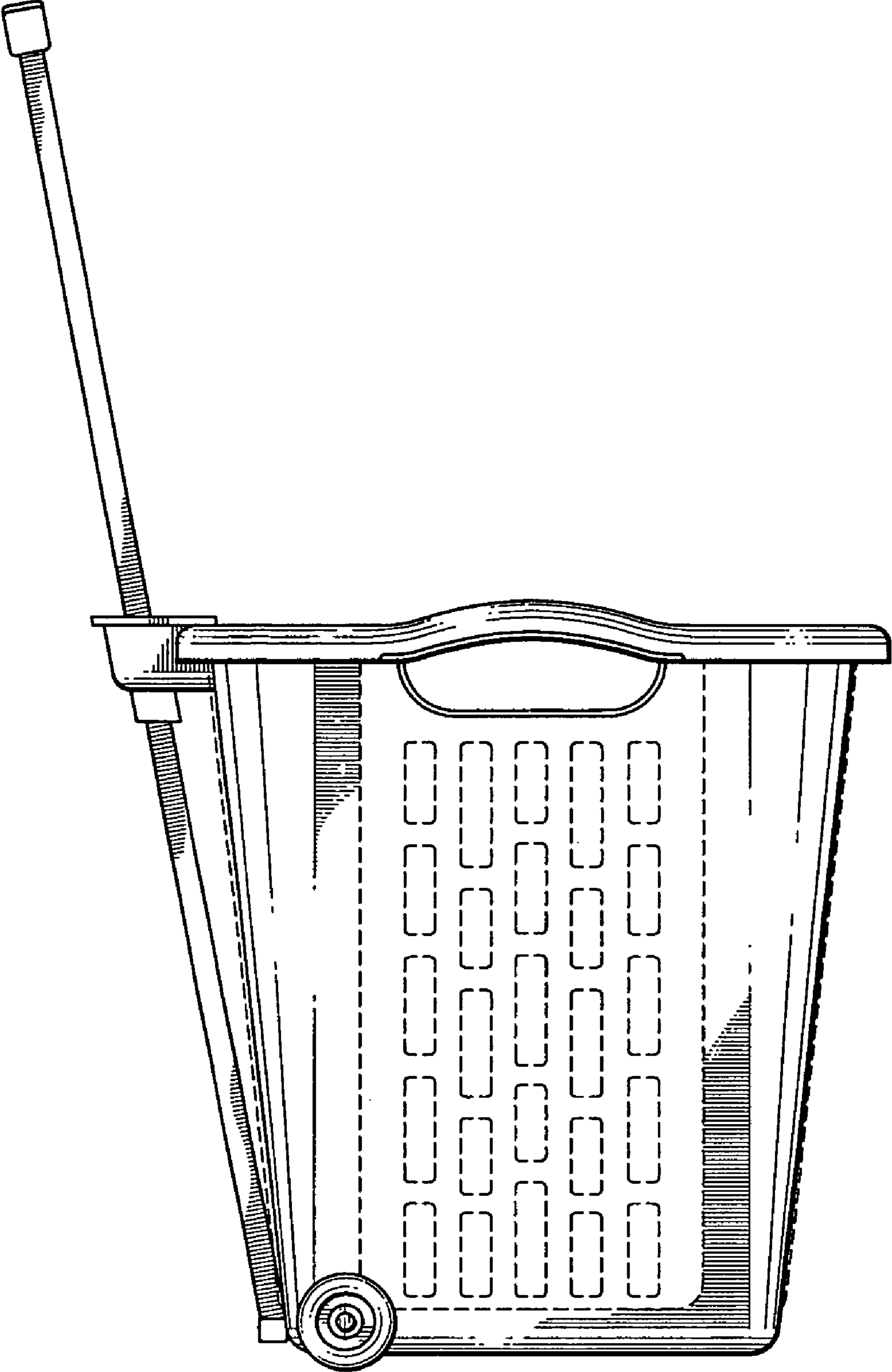


FIG. 4

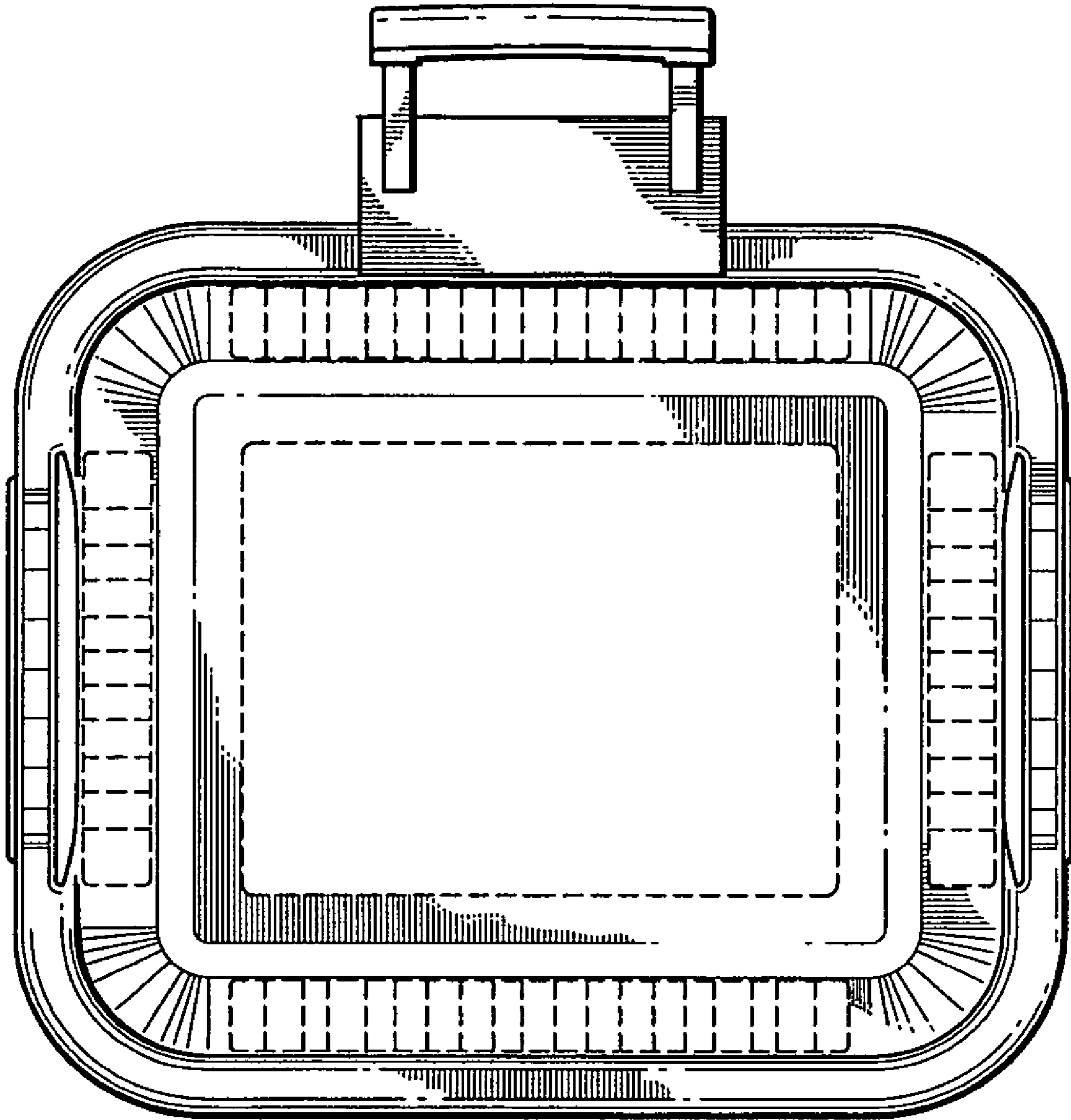


FIG. 5

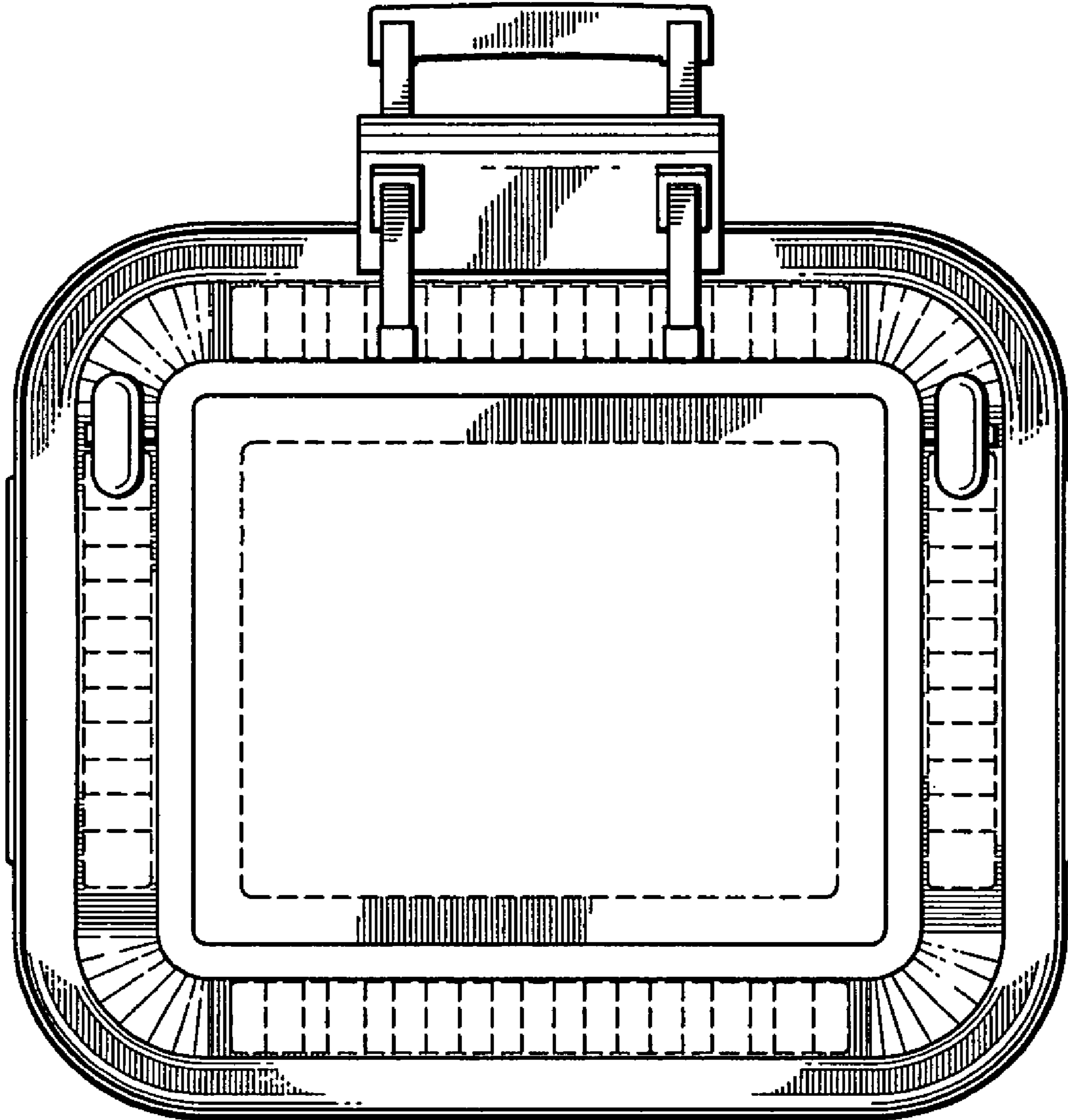


FIG. 6

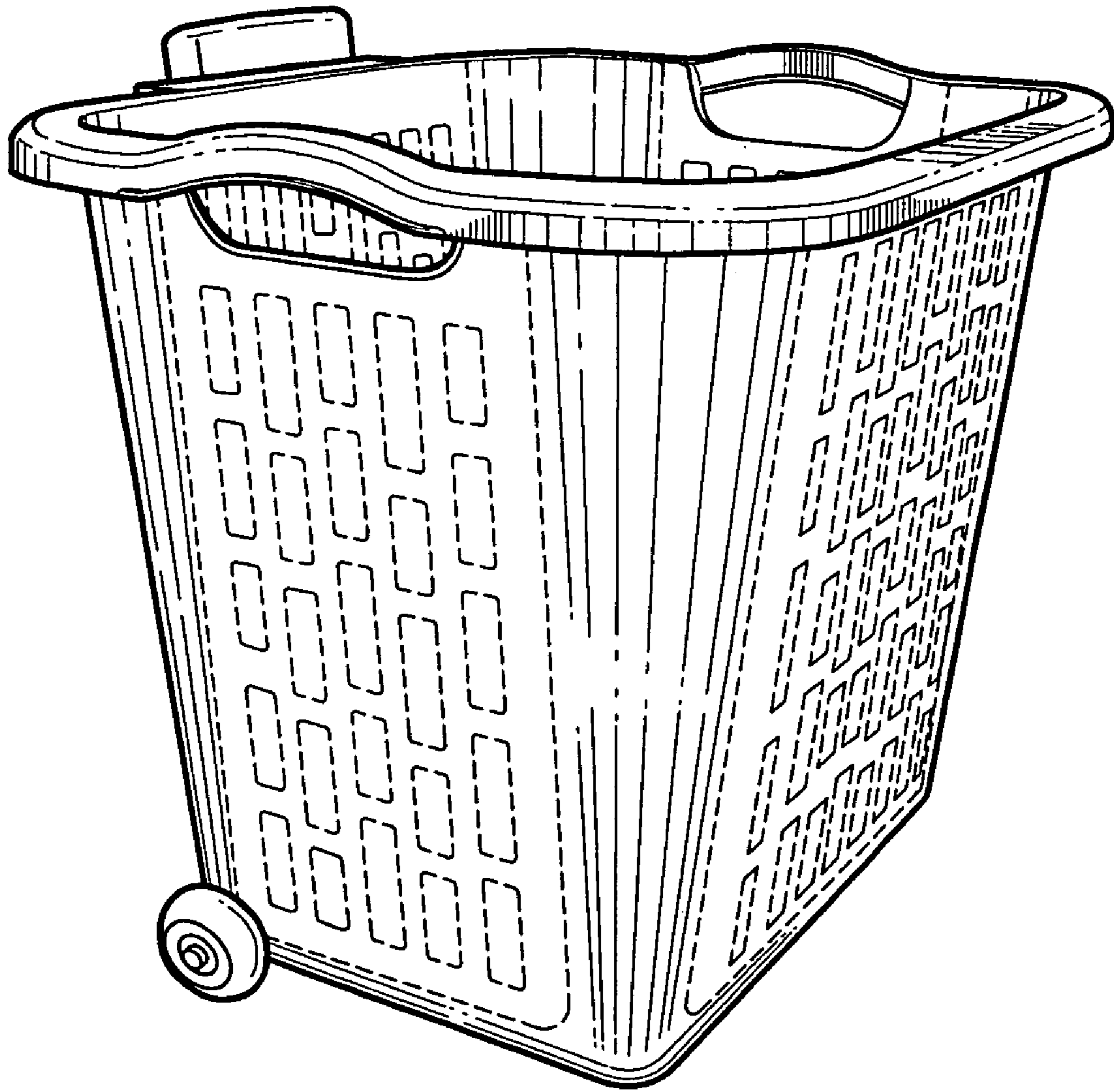


FIG. 7