



US00D544157S

(12) **United States Design Patent**
Crookshanks

(10) **Patent No.:** **US D544,157 S**

(45) **Date of Patent:** **** Jun. 5, 2007**

(54) **PORTION OF A LAUNDRY APPLIANCE**

(75) Inventor: **Kent Allen Stephen Crookshanks,**
Anderson, SC (US)

(73) Assignee: **Electrolux Home Products, Inc.,**
Cleveland, OH (US)

(**) Term: **14 Years**

(21) Appl. No.: **29/246,283**

(22) Filed: **Mar. 29, 2006**

(51) **LOC (8) Cl.** **15-05**

(52) **U.S. Cl.** **D32/25**

(58) **Field of Classification Search** D32/1,
D32/5, 6, 8, 9, 10, 25; 34/58, 108, 523, 130-132,
34/595-597, 600, 417, 499, 534; 68/12.01,
68/12.08, 212; 38/1 A; 312/31
See application file for complete search history.

(56) **References Cited**

U.S. PATENT DOCUMENTS

- D501,966 S * 2/2005 Hwang D32/25
- D506,045 S * 6/2005 No et al. D32/25
- D515,260 S * 2/2006 Ha et al. D32/25
- D517,262 S * 3/2006 Ha et al. D32/25

D517,263 S * 3/2006 Ha et al. D32/25

* cited by examiner

Primary Examiner—Louis S. Zarfes

Assistant Examiner—Kathleen Sims

(74) *Attorney, Agent, or Firm*—Banner & Witcoff, Ltd.

(57) **CLAIM**

The ornamental design for a portion of a laundry appliance,
as shown and described.

DESCRIPTION

FIG. 1 is a front perspective view of a portion of a laundry
appliance showing my new design;

FIG. 2 is a front view thereof;

FIG. 3 is a left side view thereof;

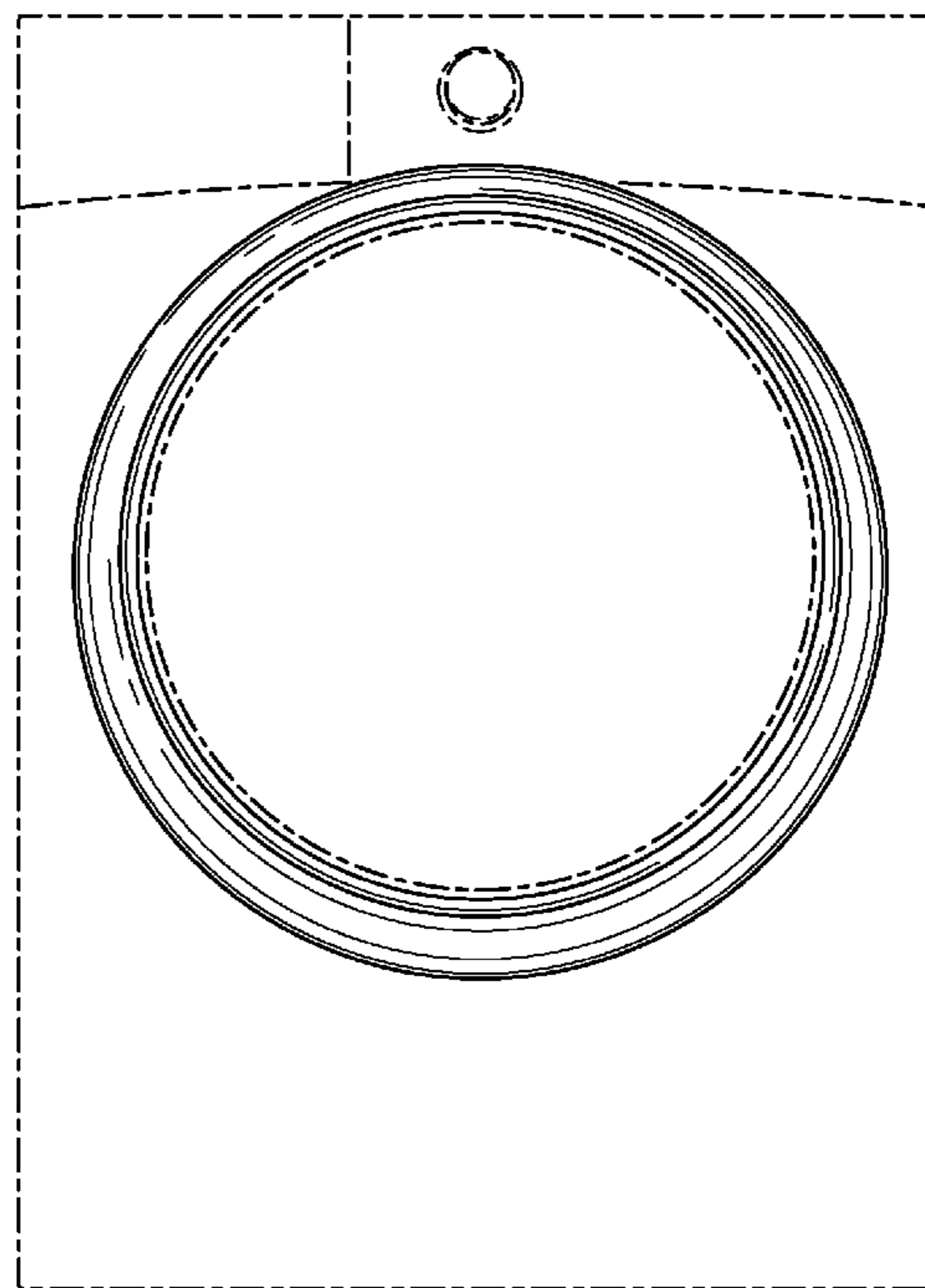
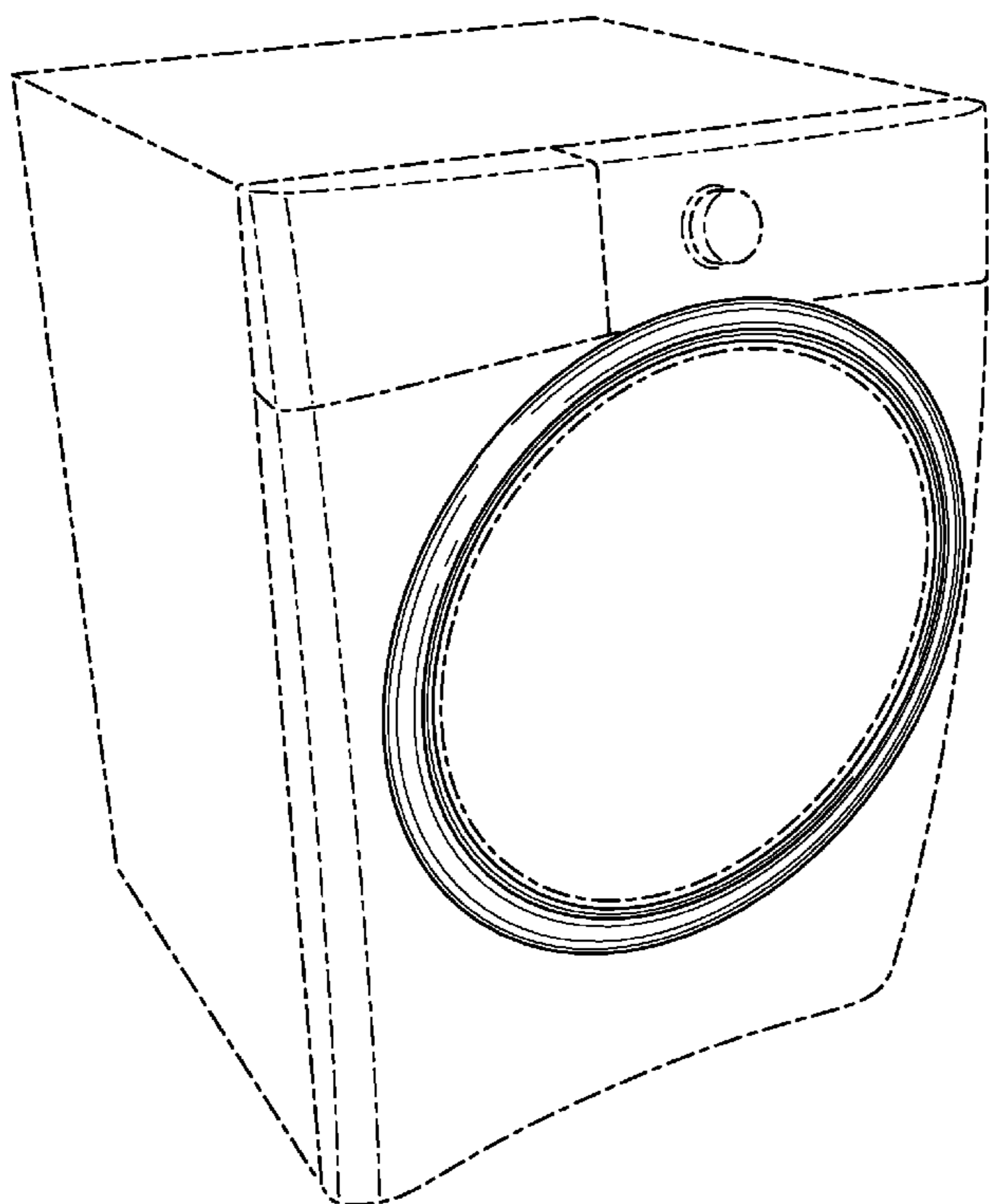
FIG. 4 is a right side view thereof;

FIG. 5 is a top view thereof; and,

FIG. 6 is a bottom view thereof.

The broken line showing of a laundry appliance cabinet and
control panel in FIGS. 1-5 is included for the purpose of
illustrating portions of the laundry appliance and forms no
part of the claimed design.

1 Claim, 4 Drawing Sheets



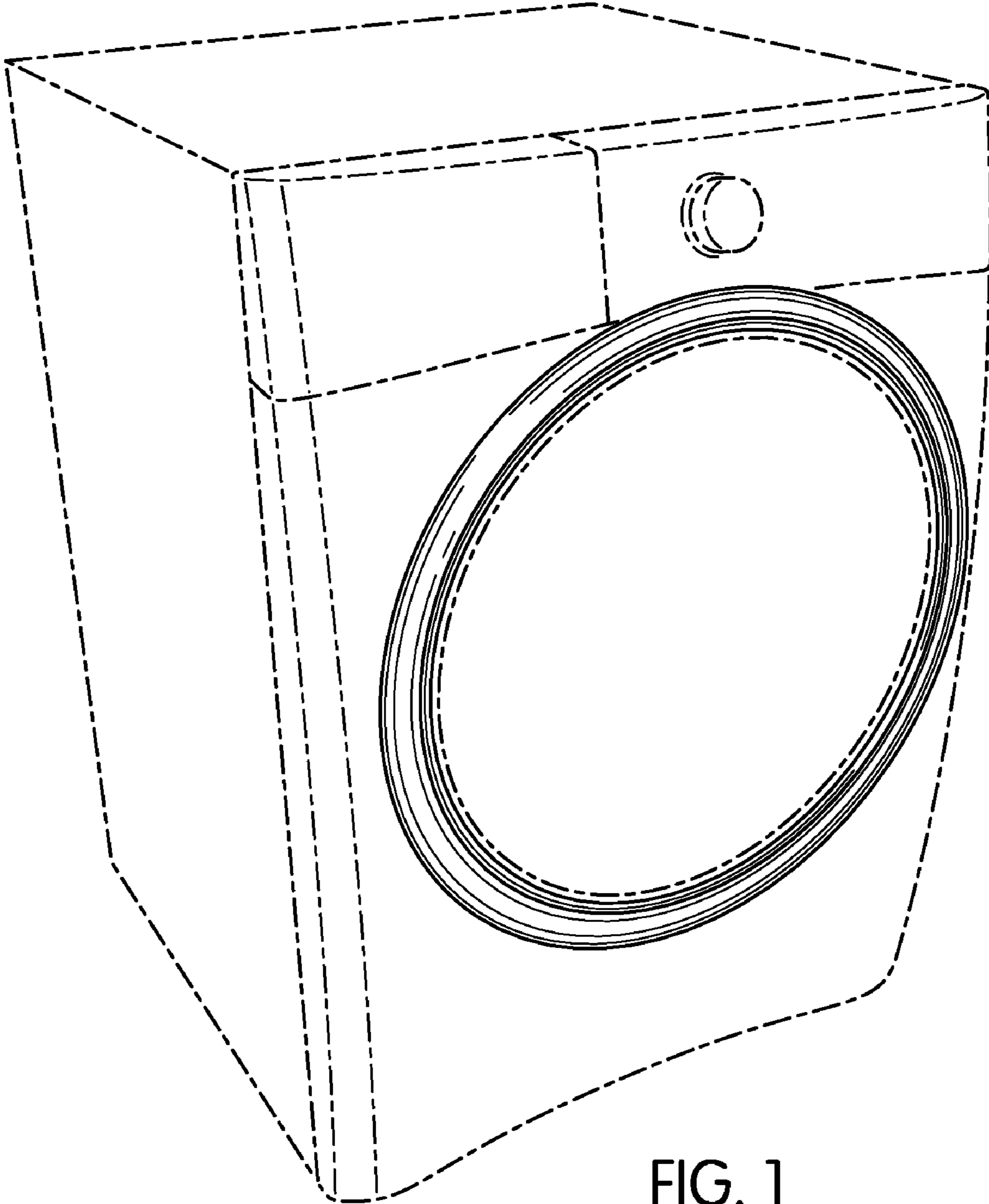


FIG. 1

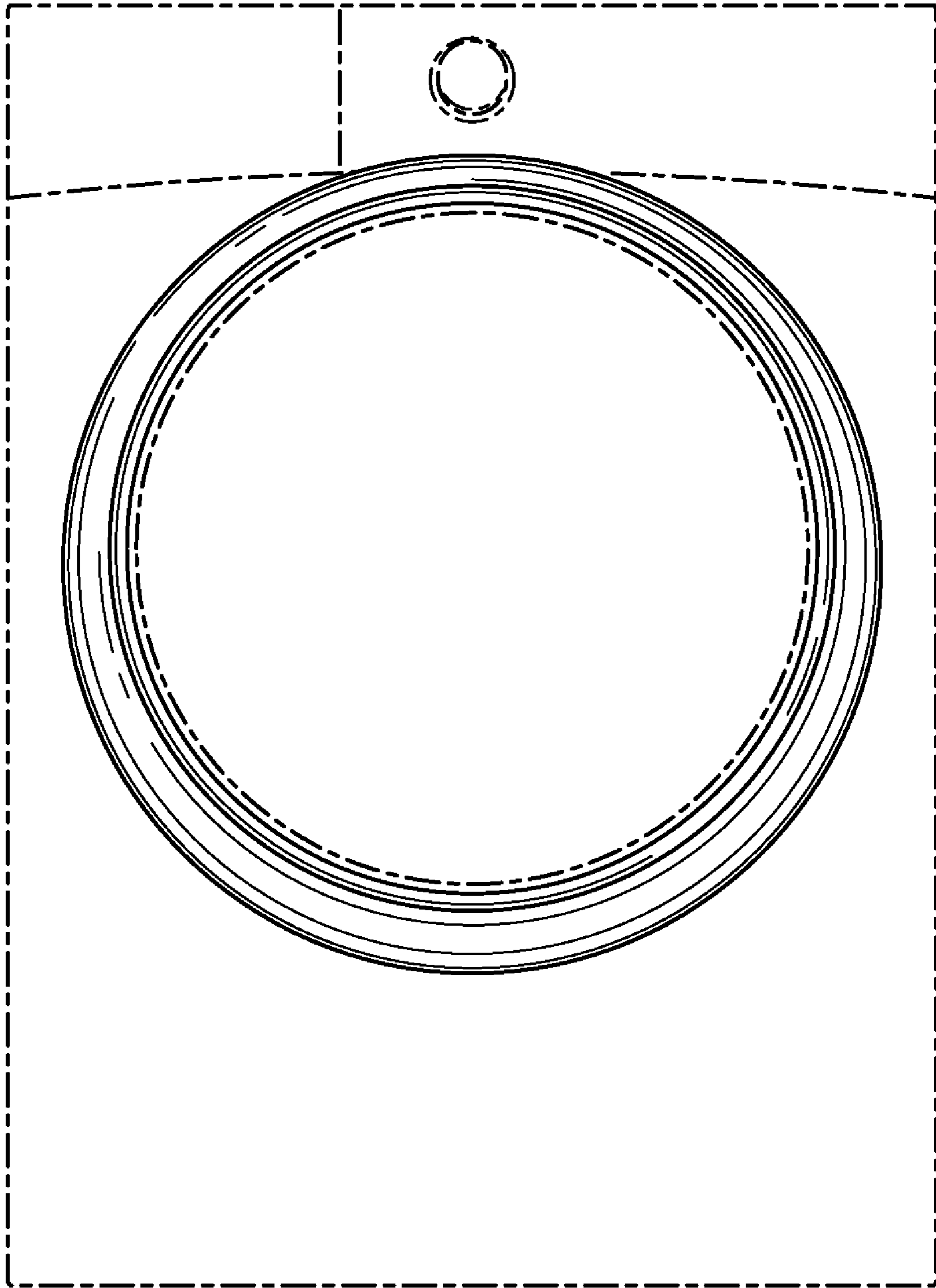


FIG. 2

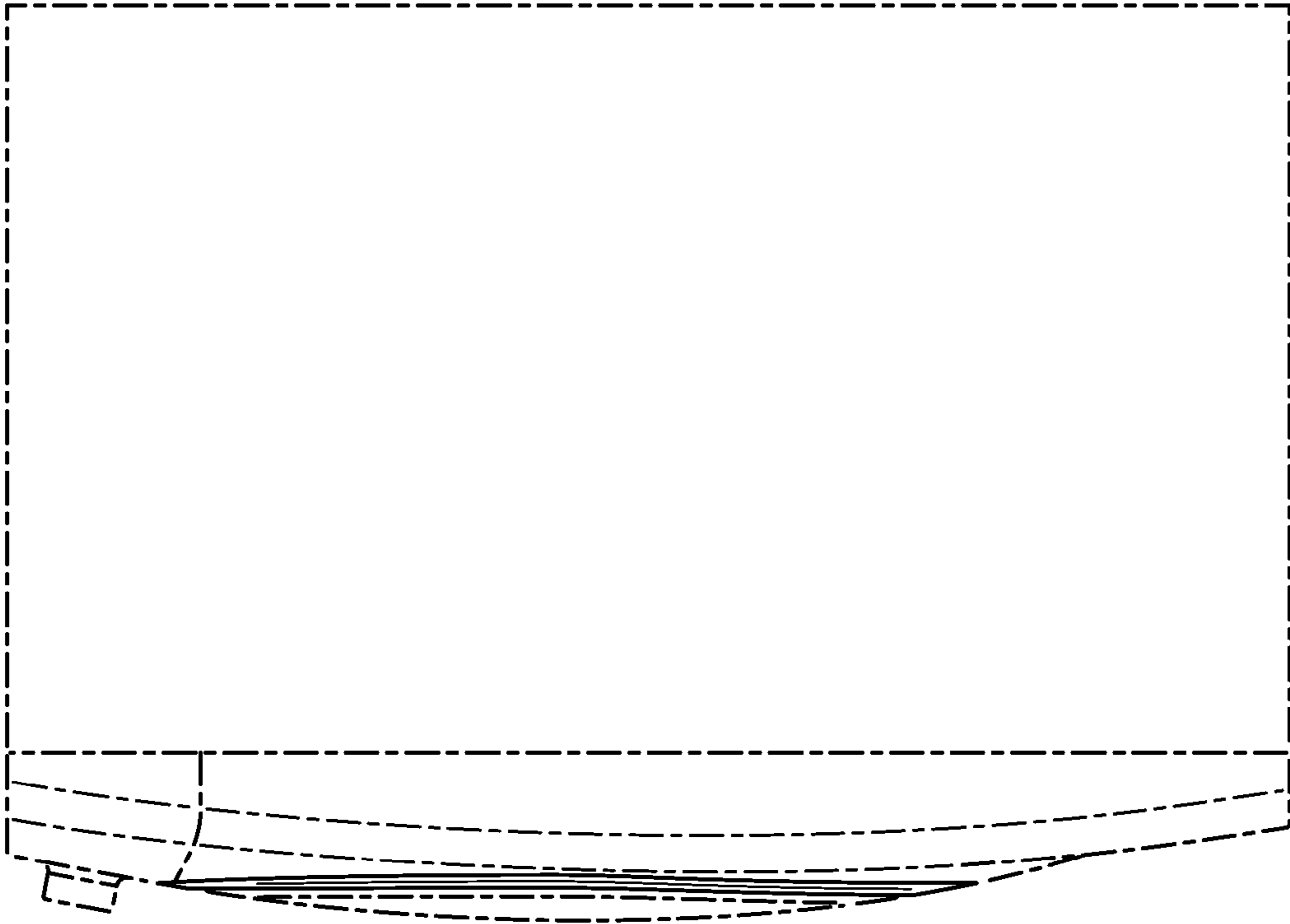


FIG. 4

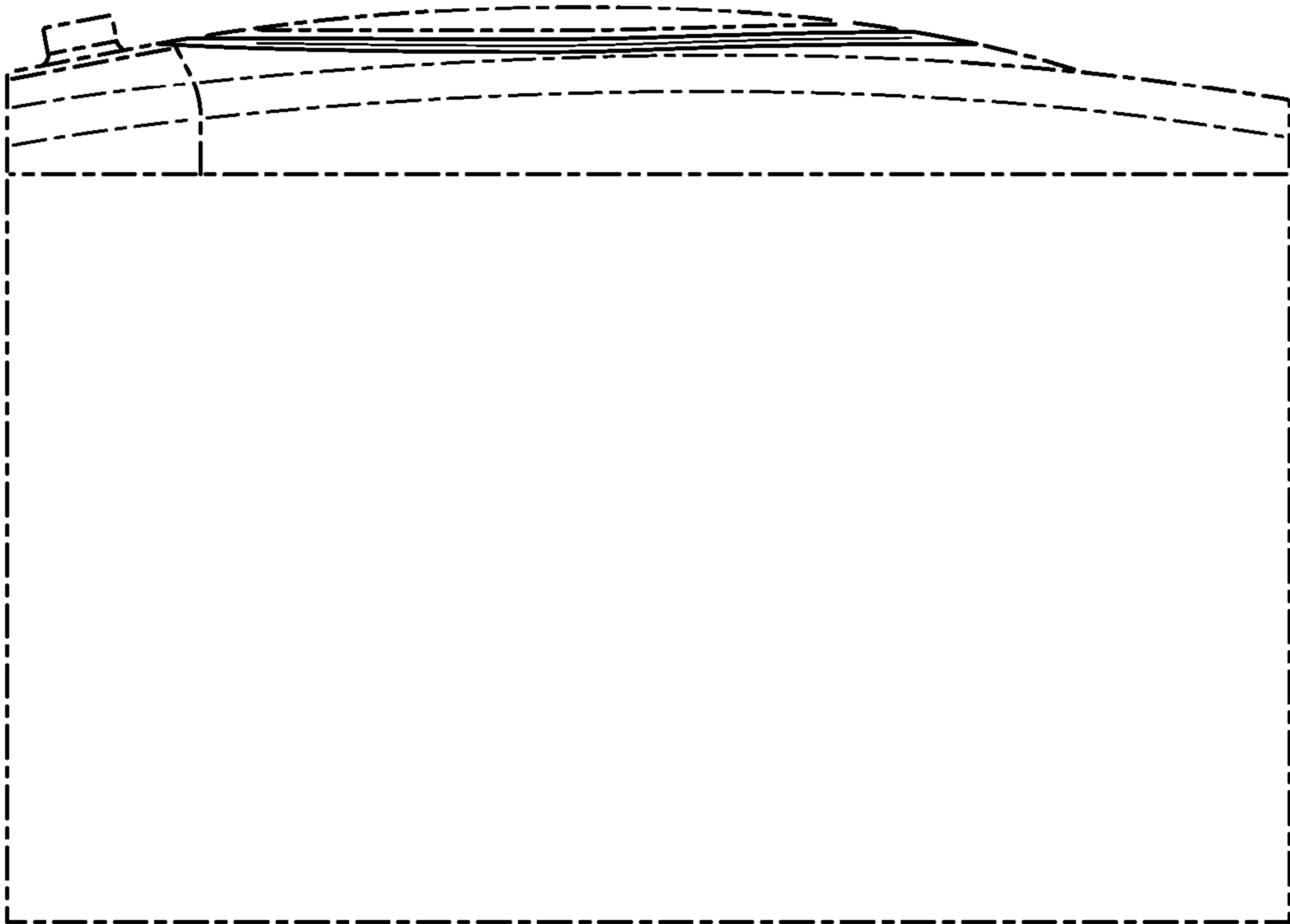


FIG. 3

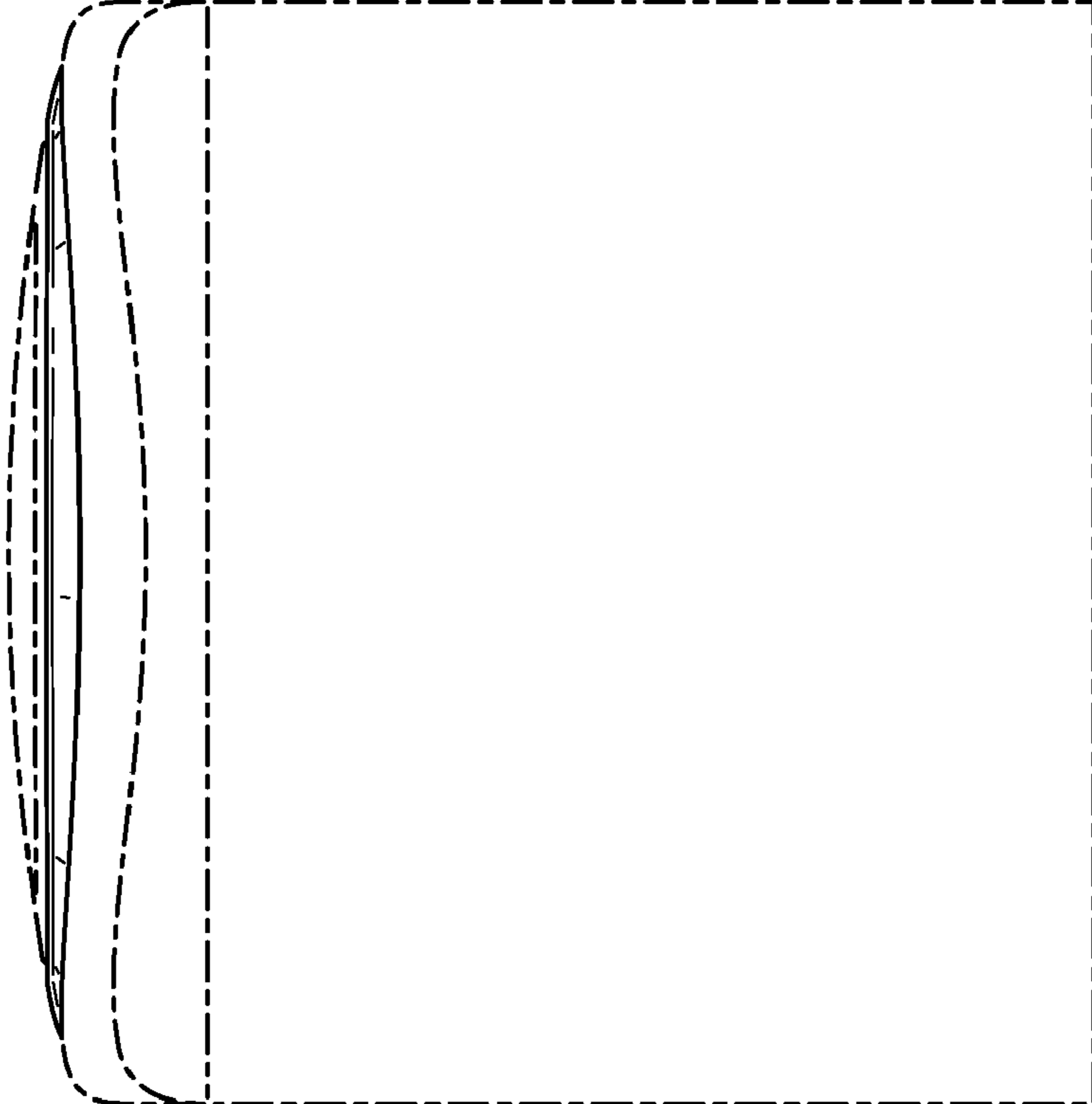


FIG. 6

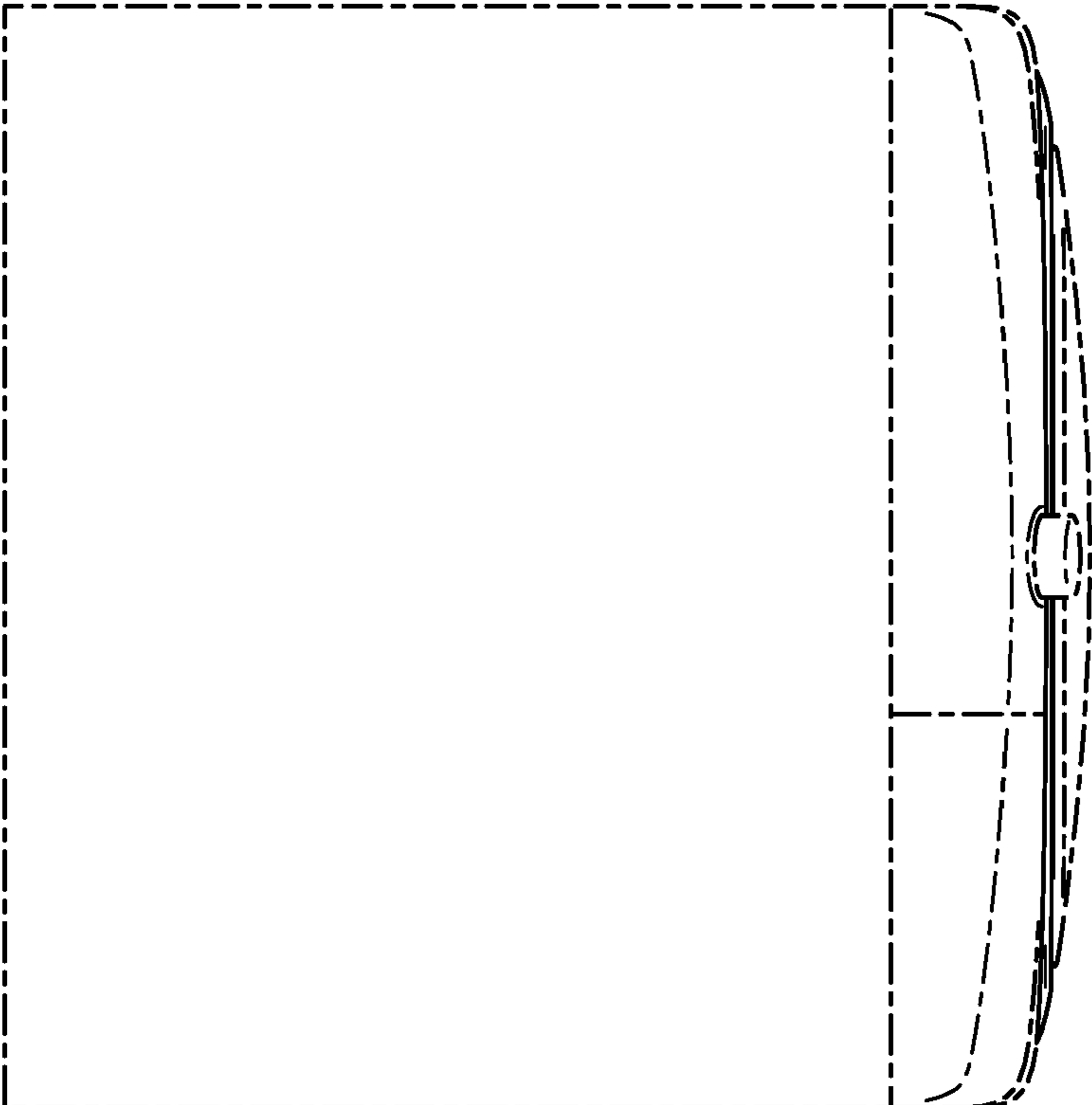


FIG. 5