

US00D544154S

(12) **United States Design Patent**
Bidinger

(10) **Patent No.:** **US D544,154 S**

(45) **Date of Patent:** **** Jun. 5, 2007**

(54) **VISUALLY STIMULATING ANIMAL TOY**

(75) Inventor: **Kimberly Bidinger**, Houston, TX (US)

(73) Assignee: **Goliath Concepts, Inc.**, Houston, TX (US)

(**) Term: **14 Years**

(21) Appl. No.: **29/233,704**

(22) Filed: **Jul. 8, 2005**

(51) **LOC (8) Cl.** **30-99**

(52) **U.S. Cl.** **D30/160**

(58) **Field of Classification Search** D30/160,
D30/119; 119/702, 706-711; D1/100, 122,
D1/125-128, 199; D11/121

See application file for complete search history.

(56) **References Cited**

U.S. PATENT DOCUMENTS

2,197,577	A *	4/1940	Crosser	D11/121
2,924,228	A *	2/1960	McGee	132/273
3,198,173	A *	8/1965	Fisher	119/709
4,928,632	A	5/1990	Gordon		
4,957,300	A *	9/1990	Storry	473/569
5,174,243	A	12/1992	O'Rourke		
5,191,856	A	3/1993	Gordon		
D337,643	S *	7/1993	Betz, Jr.	D1/125
D353,235	S *	12/1994	D'Angelico	D30/160
D372,338	S *	7/1996	Engel et al.	D28/41
5,647,302	A *	7/1997	Shipp	119/709

6,360,693	B1	3/2002	Long, III	
6,546,896	B1	4/2003	Markham	
6,601,538	B1 *	8/2003	Viola 119/709
D494,735	S *	8/2004	Dahl et al. D1/125
D514,264	S *	1/2006	Viola D30/160
D523,191	S *	6/2006	Wang D30/160
2006/0107906	A1 *	5/2006	Weinberg 119/710

* cited by examiner

Primary Examiner—Cathy Anne MacCormac

(74) *Attorney, Agent, or Firm*—Parks & Assoc, PC

(57) **CLAIM**

The ornamental design for a visually stimulating animal toy, as shown and described.

DESCRIPTION

FIG. 1 is a perspective view of a visually stimulating animal toy showing my new design;

FIG. 2 is a top view thereof;

FIG. 3 is a front view thereof;

FIG. 4 is a bottom view thereof;

FIG. 5 is a rear view thereof;

FIG. 6 is an end view thereof; and,

FIG. 7 is an opposite end view thereof.

The broken lines are for purposes of illustration only and form no part of the claimed design.

1 Claim, 2 Drawing Sheets

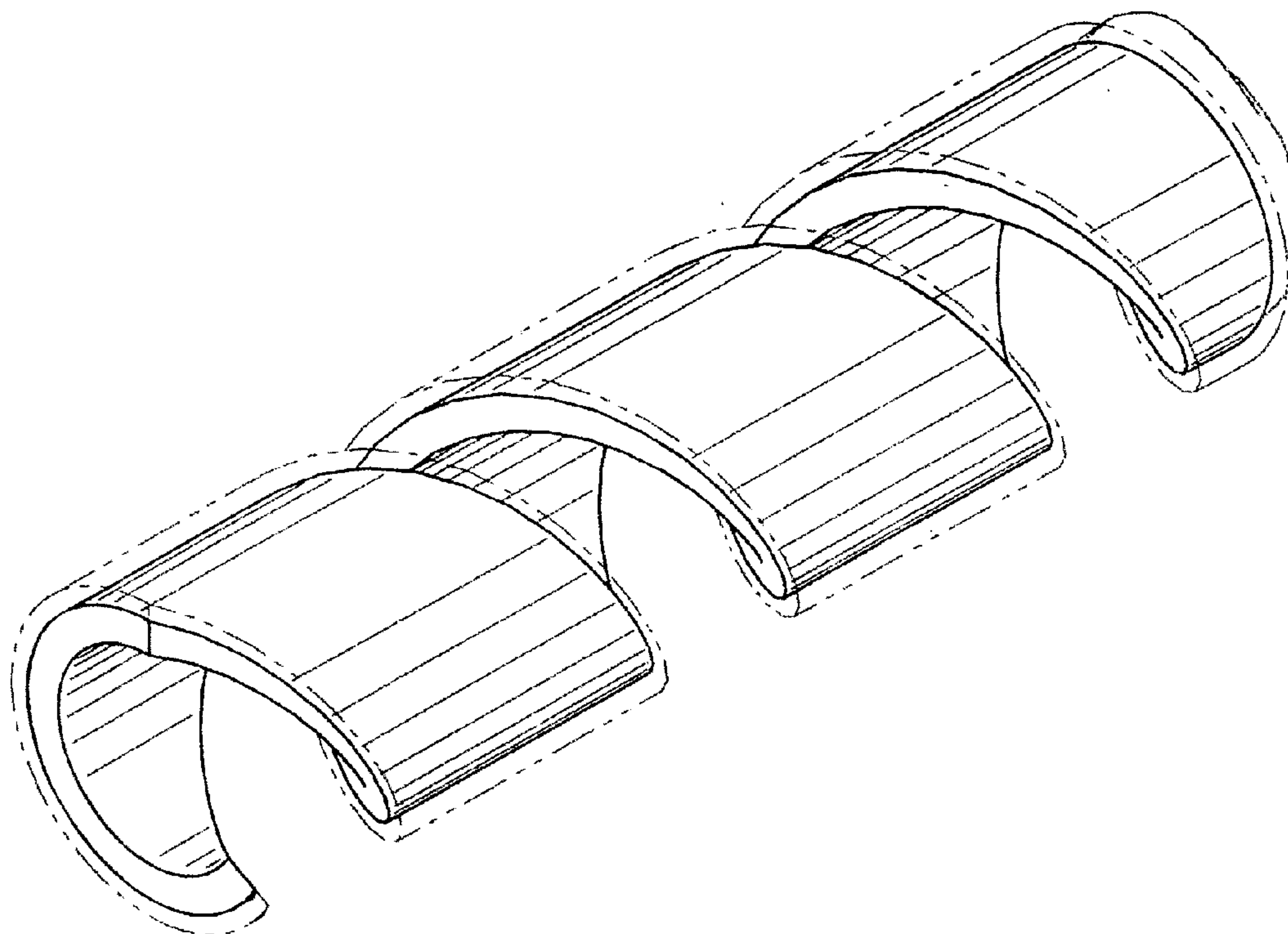


Fig. 1

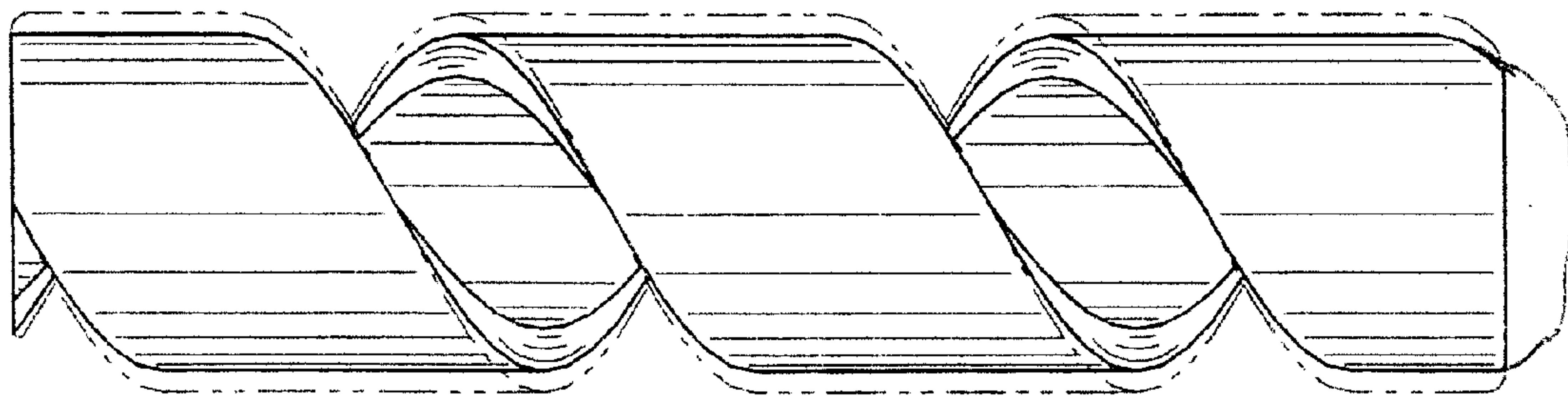
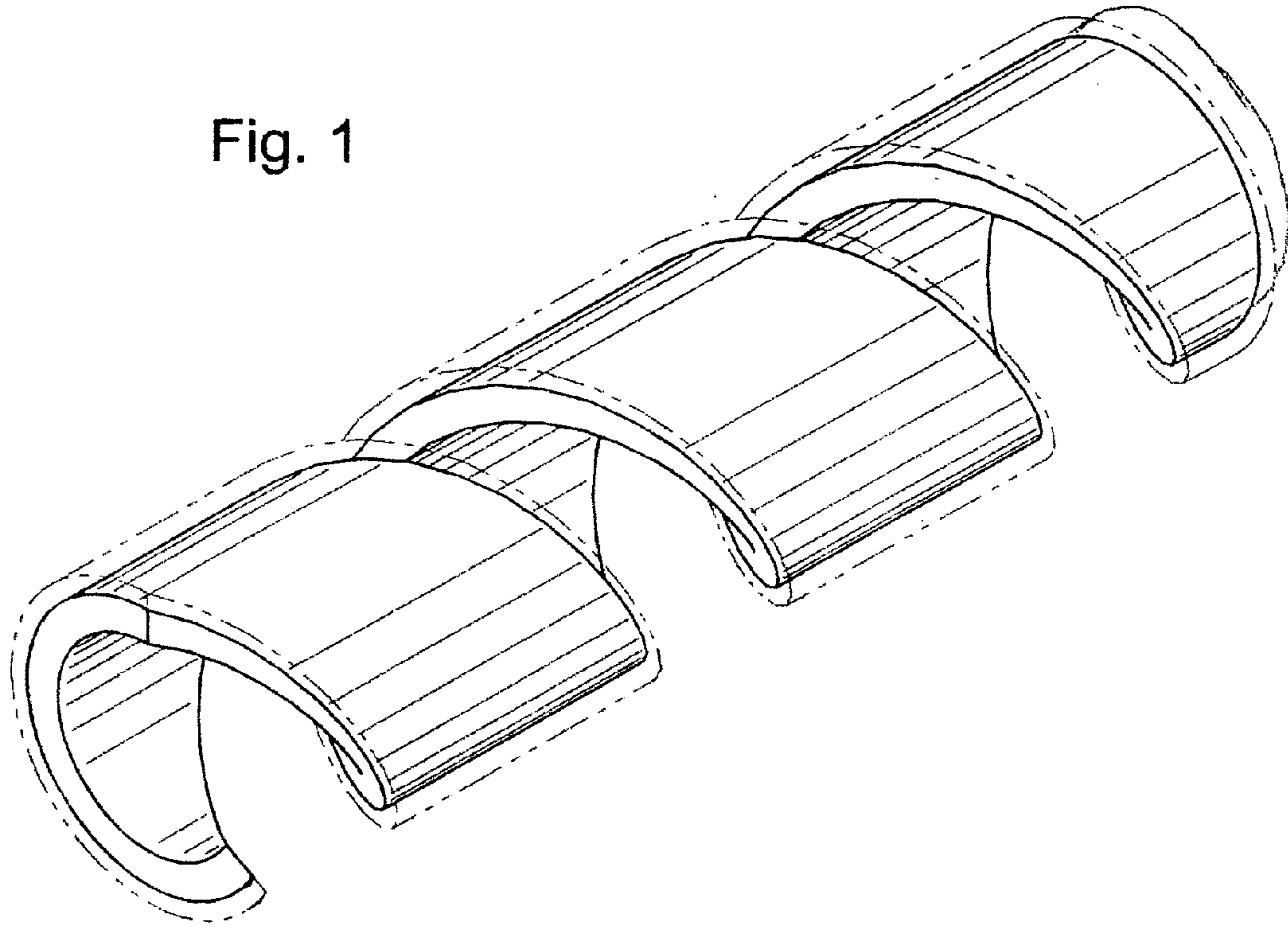


Fig. 2

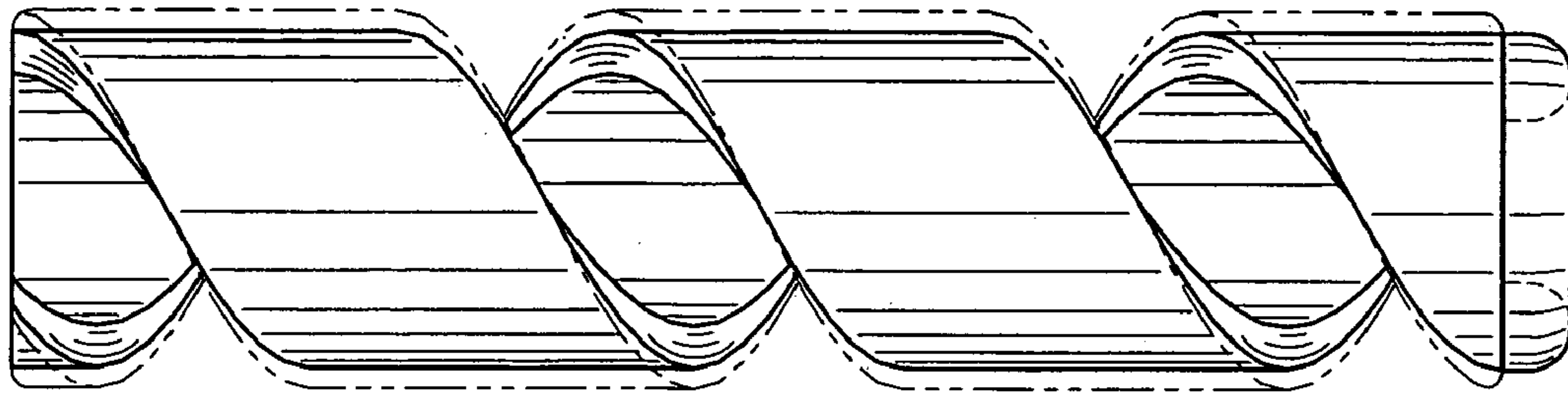


Fig. 3

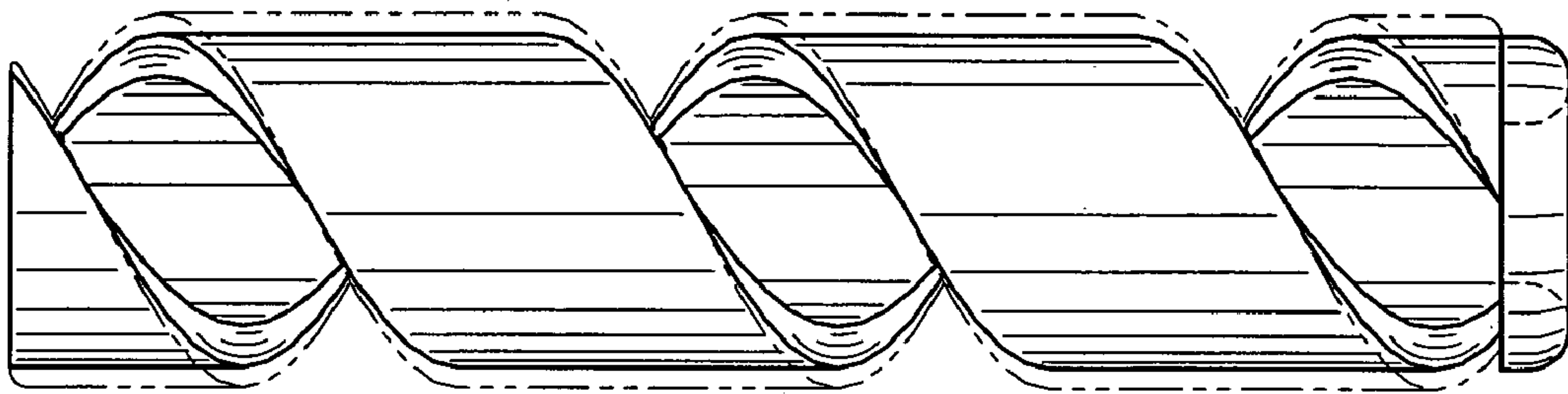


Fig. 4

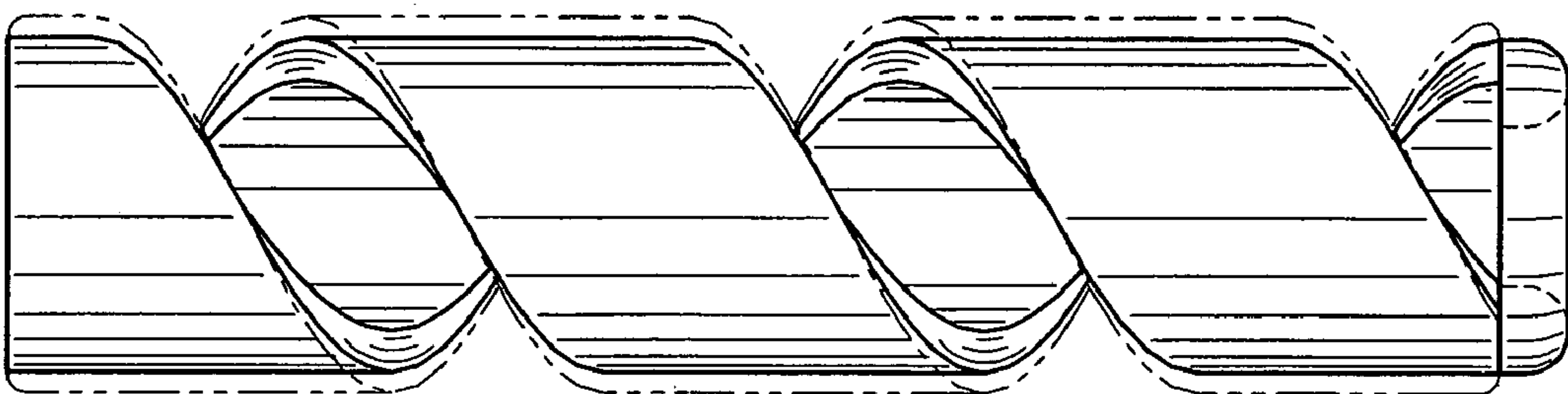


Fig. 5

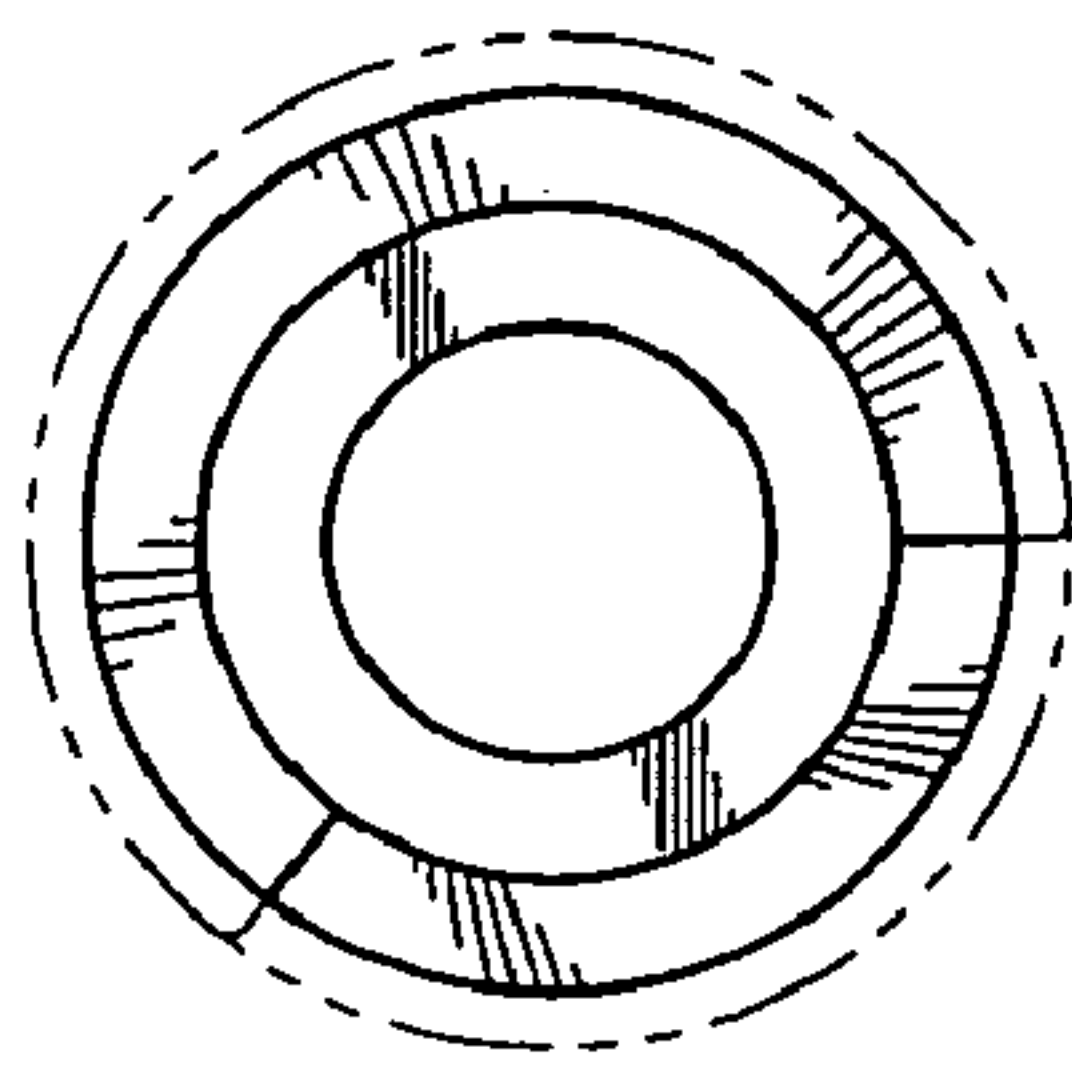


Fig. 6

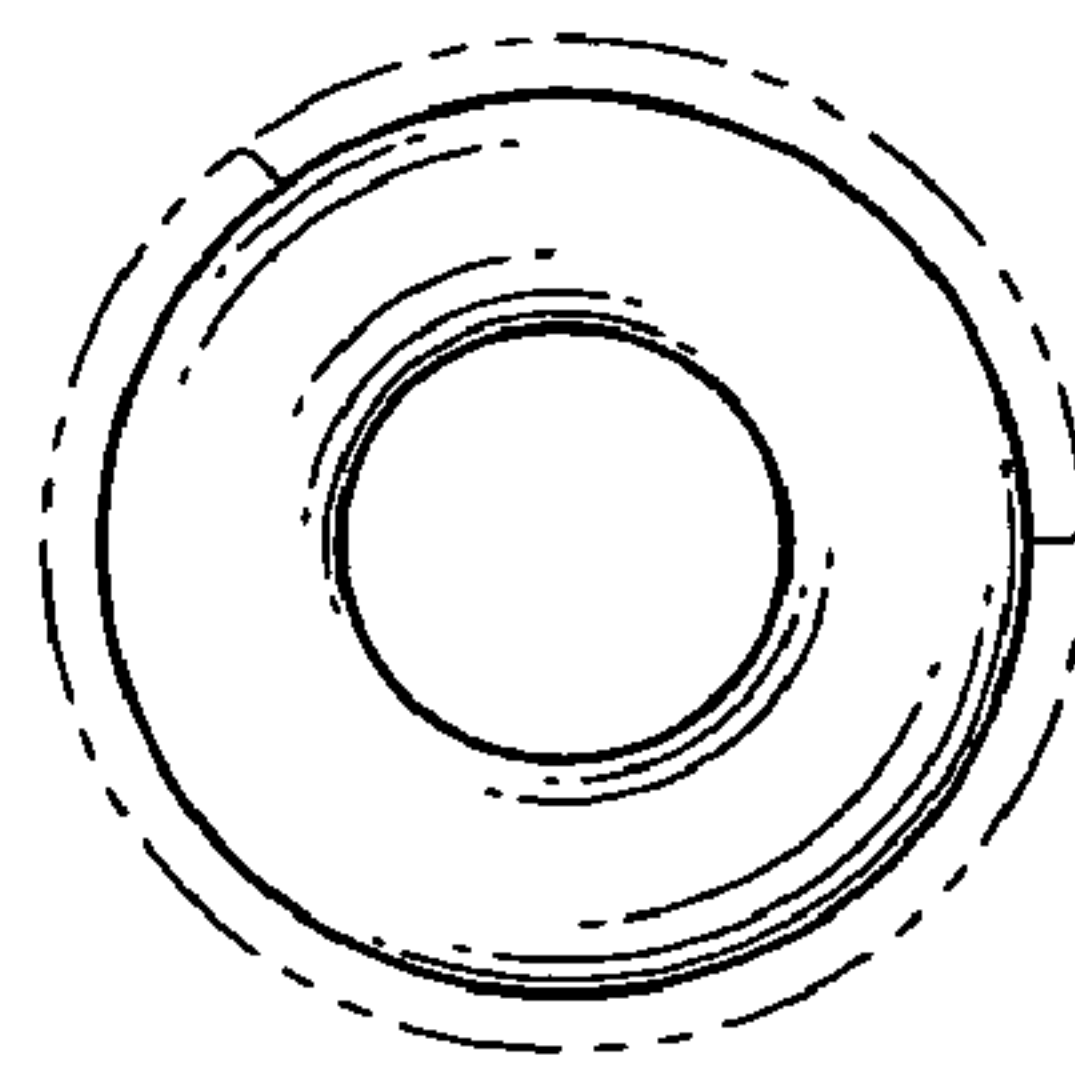


Fig. 7