



US00D544153S

(12) **United States Design Patent**  
**Obenshain**

(10) **Patent No.:** **US D544,153 S**

(45) **Date of Patent:** **\*\* Jun. 5, 2007**

(54) **BIRD FEEDER**

(75) Inventor: **James Roberts Obenshain**, Peebles,  
OH (US)

(73) Assignee: **Cedar Works, LLC**, Peebles, OH (US)

(\*\*) Term: **14 Years**

(21) Appl. No.: **29/258,612**

(22) Filed: **Apr. 25, 2006**

(51) **LOC (8) Cl.** ..... **30-03**

(52) **U.S. Cl.** ..... **D30/125**

(58) **Field of Classification Search** ..... D30/121,  
D30/124-128, 133; 119/51.01, 52.2-52.4,  
119/57.8-57.9; D26/67, 72, 118; 362/152,  
362/153, 159, 183, 266, 363, 431, 432  
See application file for complete search history.

(56) **References Cited**

U.S. PATENT DOCUMENTS

D187,135 S *	2/1960	McDonald	.....	D30/126
3,134,361 A *	5/1964	Decker	.....	119/53
3,295,498 A *	1/1967	Brown	.....	119/429
3,731,078 A *	5/1973	Vanderbeek	.....	362/311
3,945,344 A *	3/1976	Melrath	.....	119/57.8
D254,695 S *	4/1980	Bobrovniczky	.....	D26/118
4,389,975 A *	6/1983	Fisher, Jr.	.....	119/52.3
4,425,873 A *	1/1984	Rinne, Jr.	.....	119/53
D289,094 S *	3/1987	Stephen et al.	.....	D30/125
D289,210 S *	4/1987	Tucker et al.	.....	D30/125
D290,769 S *	7/1987	Taylor	.....	D30/124
5,048,461 A *	9/1991	Wessner	.....	119/52.3

D329,509 S *	9/1992	Burleigh	.....	D30/124
D382,665 S *	8/1997	Ruggles et al.	.....	D26/85
D386,837 S *	11/1997	Johnson	.....	D30/124
D428,216 S *	7/2000	Bonder et al.	.....	D30/124

\* cited by examiner

*Primary Examiner*—M. H. Tung

*Assistant Examiner*—Susan Moon Lee

(74) *Attorney, Agent, or Firm*—Neal O. Willmann

(57) **CLAIM**

I claim the ornamental design for a bird feeder, as shown and described.

**DESCRIPTION**

FIG. 1 is an elevated front view of the bird feeder, with dash lines depicting suspending means;

FIG. 2 is an elevated side view thereof shown without the broken line showing of the suspending means, the opposite side being a mirror image, with hinged roof panel shown in phantom for illustration;

FIG. 3 is a top plan view thereof;

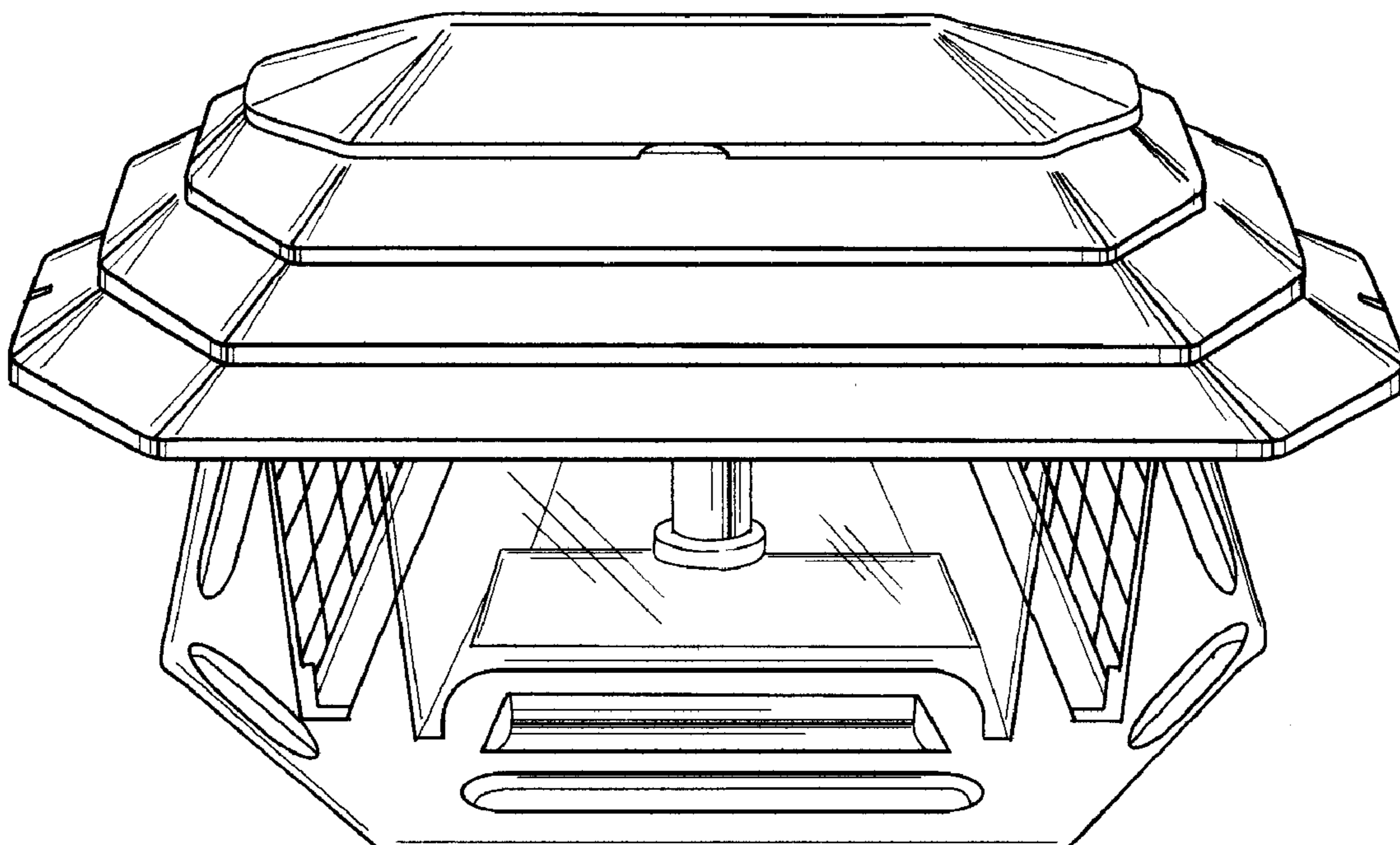
FIG. 4 is a bottom plan view thereof;

FIG. 5 is an elevated back view thereof, with dash lines depicting suspending means; and,

FIG. 6 is a top front perspective view of said bird feeder.

The broken line elements in FIGS. 1, 2 and 5 are for illustrative purposes only and form no part of the claimed design.

**1 Claim, 3 Drawing Sheets**



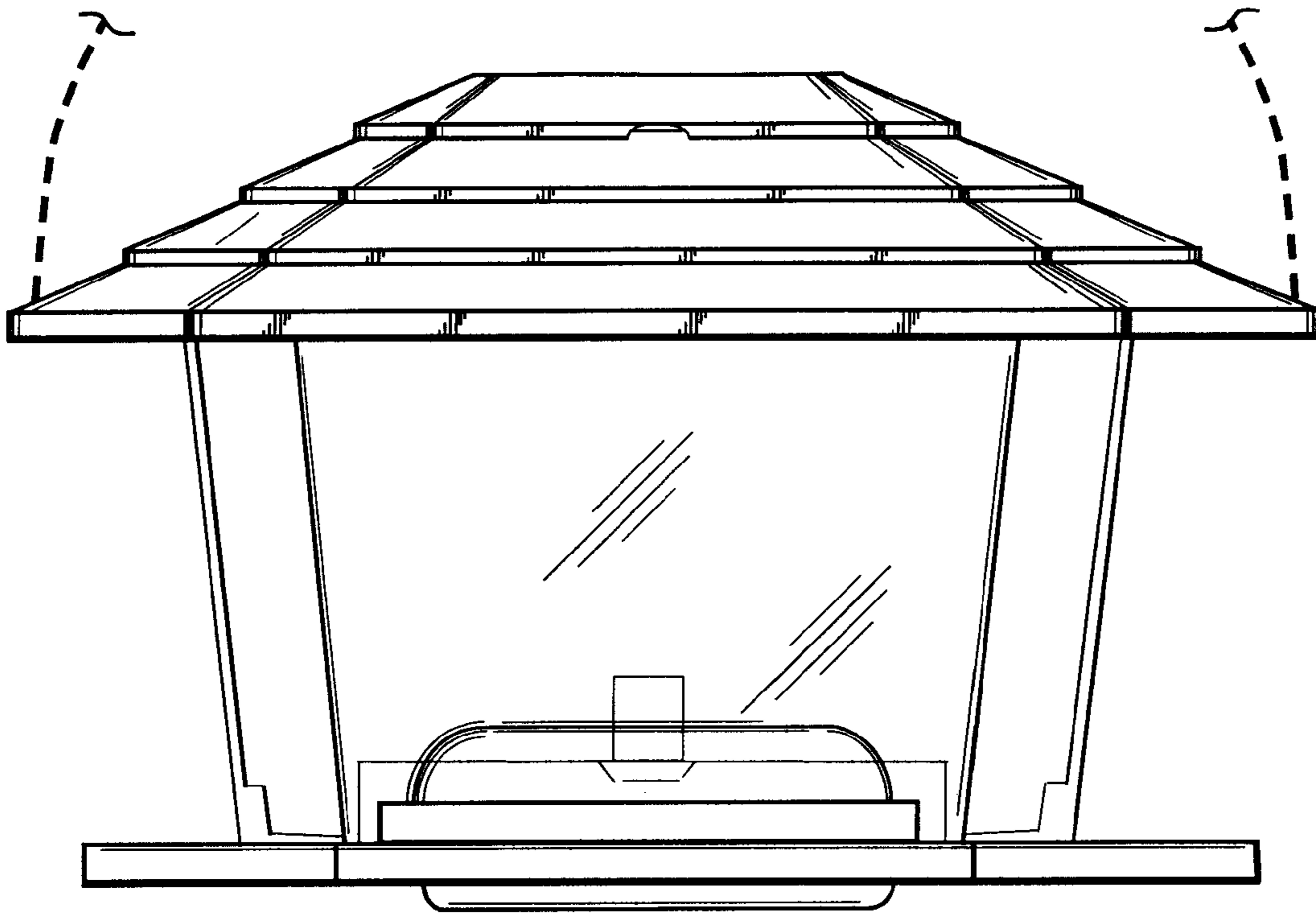


Fig. 1

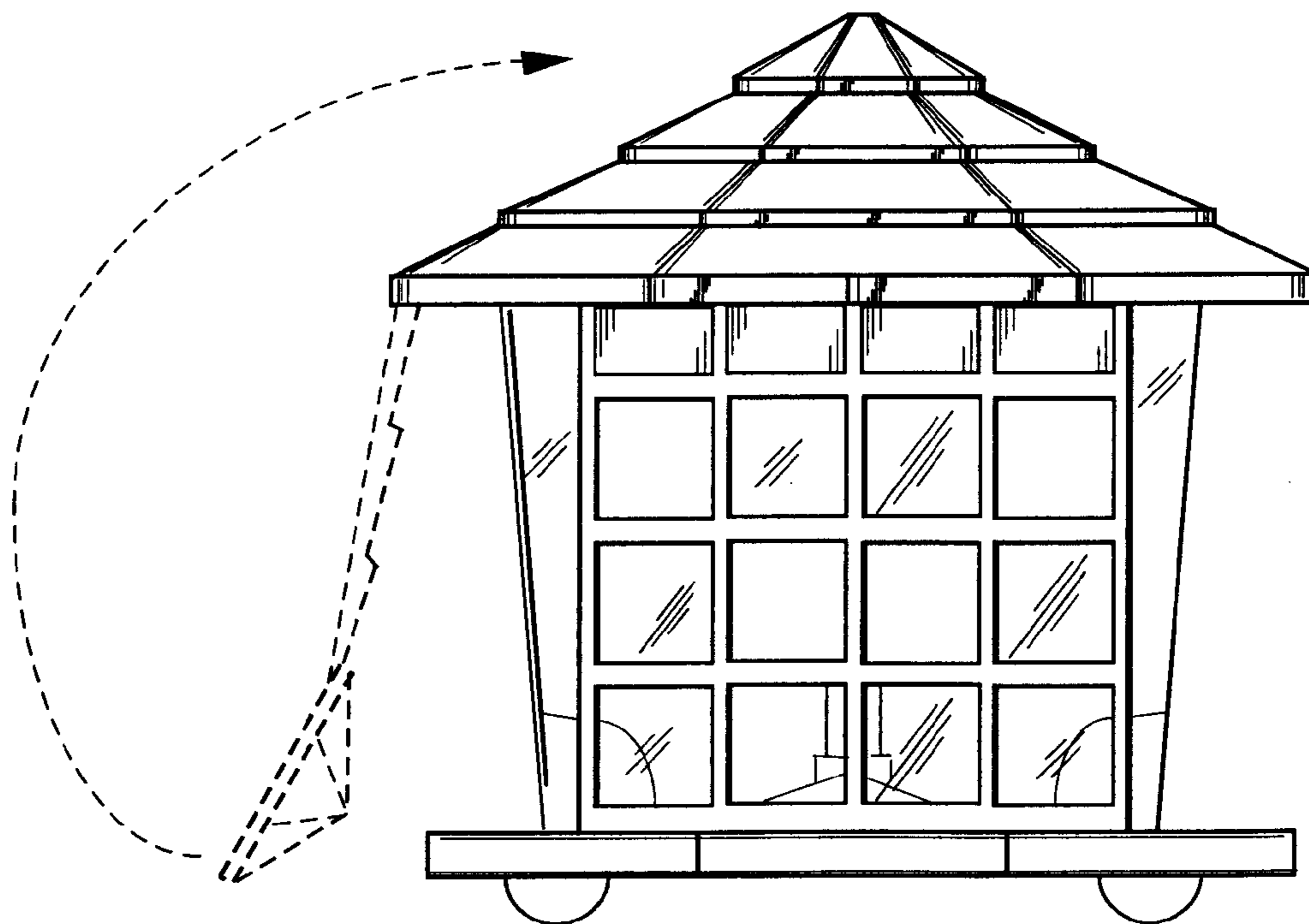
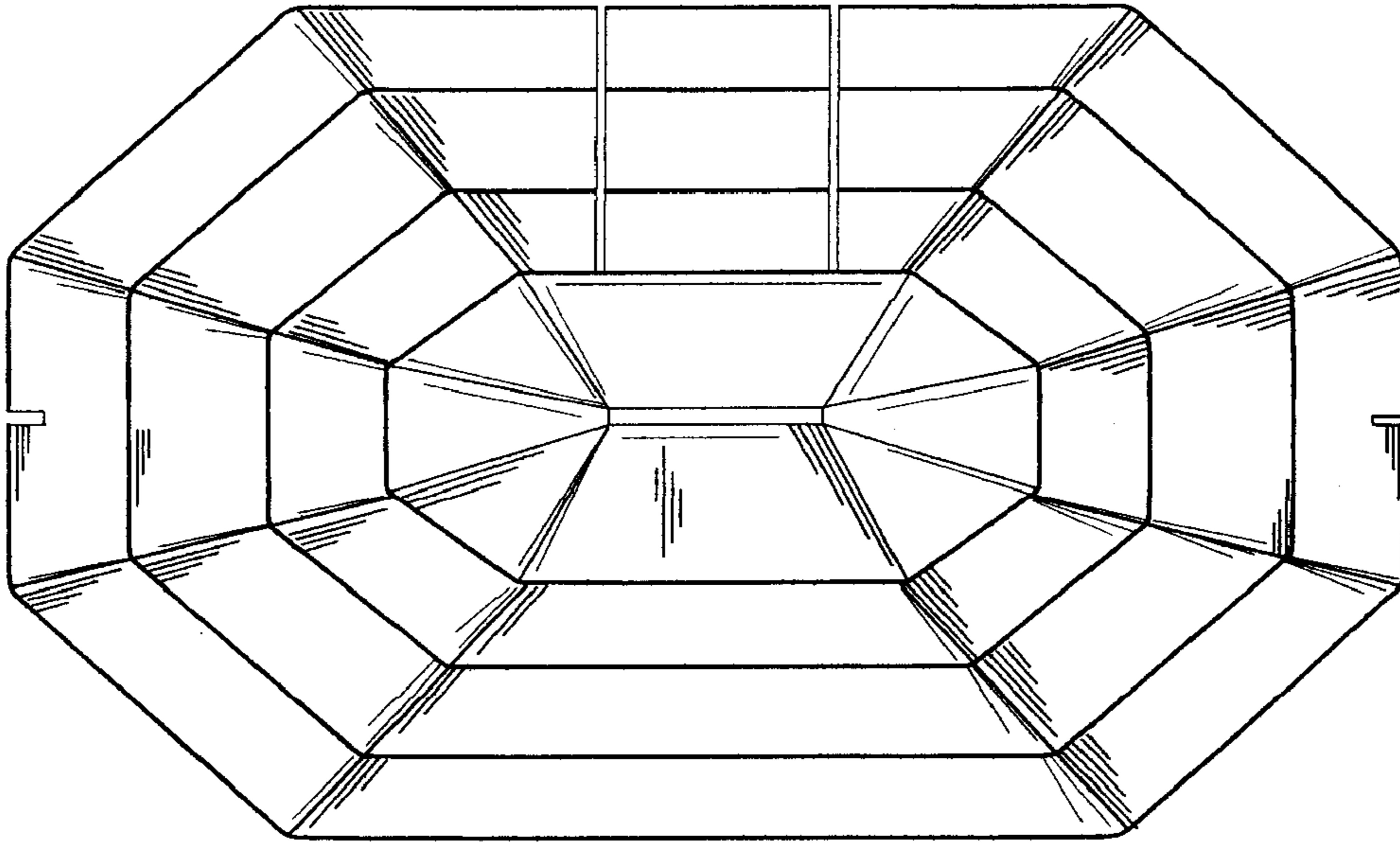
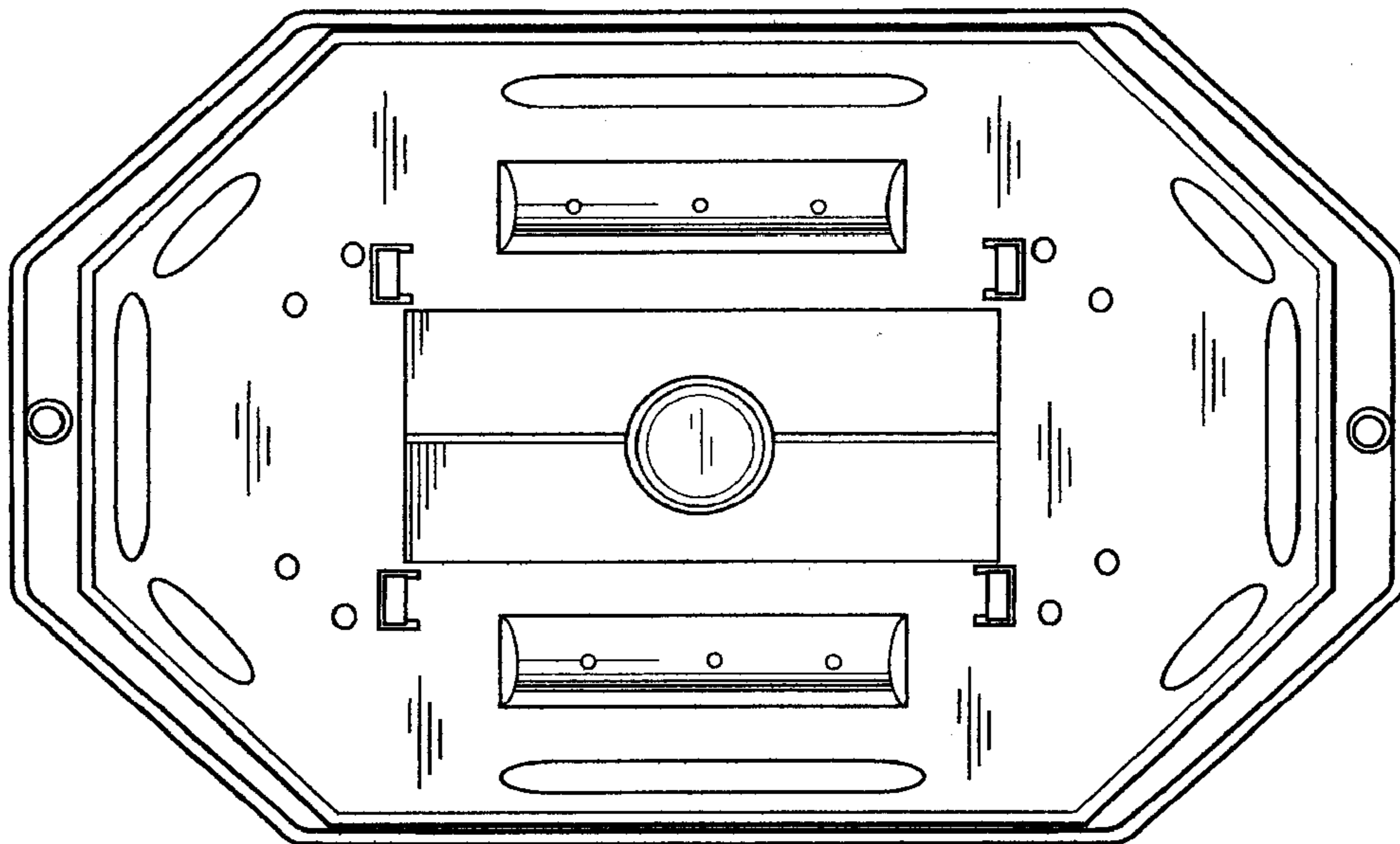


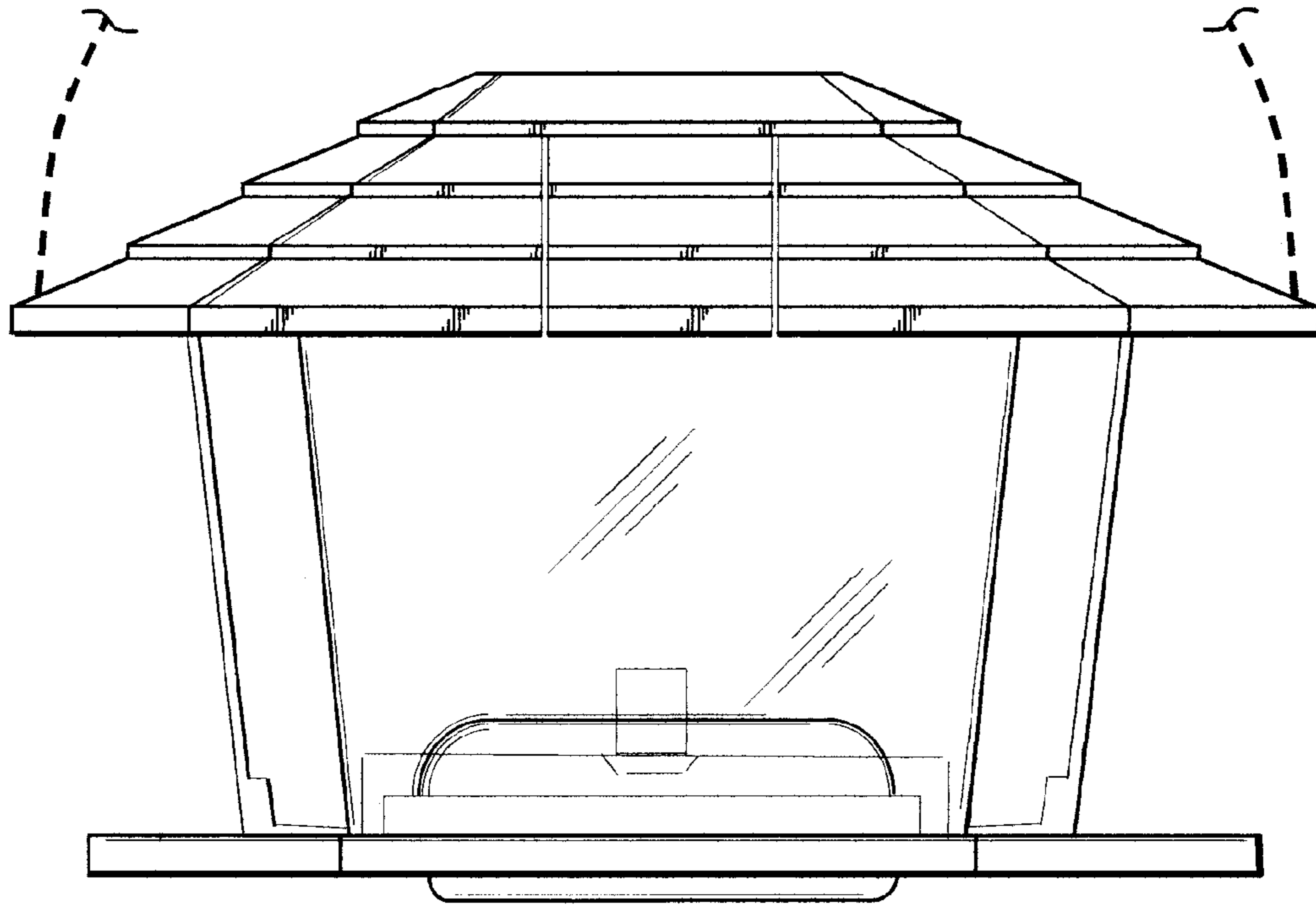
Fig. 2



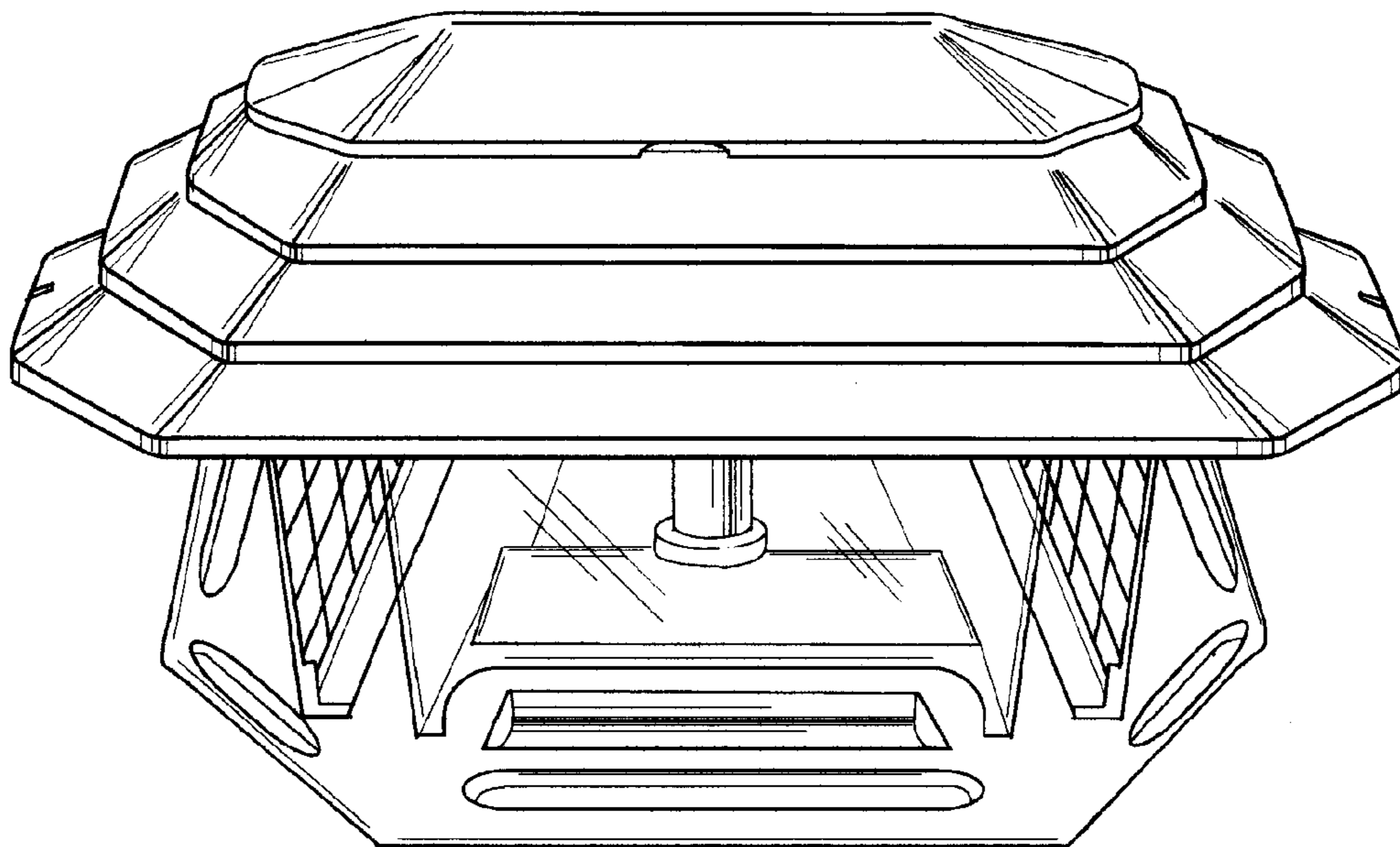
**Fig. 3**



**Fig. 4**



**Fig. 5**



**Fig. 6**