

US00D544151S

(12) **United States Design Patent**
Kieren

(10) **Patent No.:** **US D544,151 S**

(45) **Date of Patent:** **** Jun. 5, 2007**

(54) **ACCESSORY ORGANIZER**

(76) **Inventor:** **Tamara Kieren**, 5581 S. Miami Gardens, Miami, AZ (US) 85539

(**) **Term:** **14 Years**

(21) **Appl. No.:** **29/216,611**

(22) **Filed:** **Nov. 5, 2004**

(51) **LOC (8) Cl.** **28-03**

(52) **U.S. Cl.** **D28/73**

(58) **Field of Classification Search** D28/73;
211/13.1, 85.3; 206/581, 823, 562, 6.1; 248/309.2
See application file for complete search history.

(56) **References Cited**

U.S. PATENT DOCUMENTS

D394,918 S	*	6/1998	Gillmore et al.	D28/73
D427,378 S	*	6/2000	Pritchett et al.	D28/73
D457,271 S	*	5/2002	Jackson	D28/73
D469,927 S	*	2/2003	Petrucelli	D28/73

6,682,035 B1	*	1/2004	Hart	248/309.2
7,028,853 B1	*	4/2006	Simms	211/85.3
2004/0164034 A1	*	8/2004	Costanza	211/13.1

* cited by examiner

Primary Examiner—Jennifer Rivard

(74) *Attorney, Agent, or Firm*—Gregory J. Nelson

(57) **CLAIM**

I claim the ornamental design for an accessory organizer, as shown and described.

DESCRIPTION

FIG. 1 is a perspective view of the accessory organizer of my design;

FIG. 2 is a left side view;

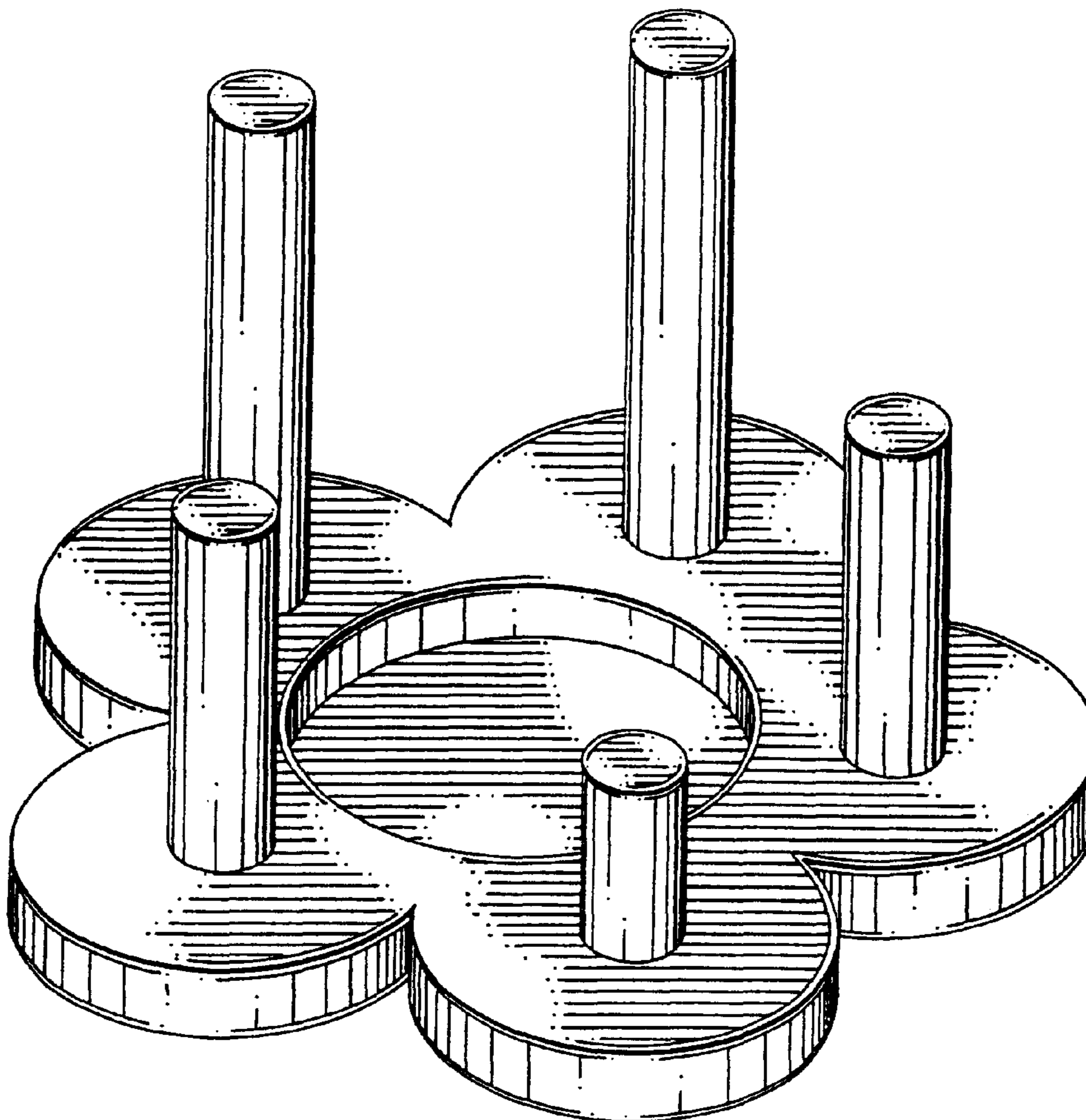
FIG. 3 is a right side view;

FIG. 4 is a rear view;

FIG. 5 is a top view; and,

FIG. 6 is a top view.

1 Claim, 2 Drawing Sheets



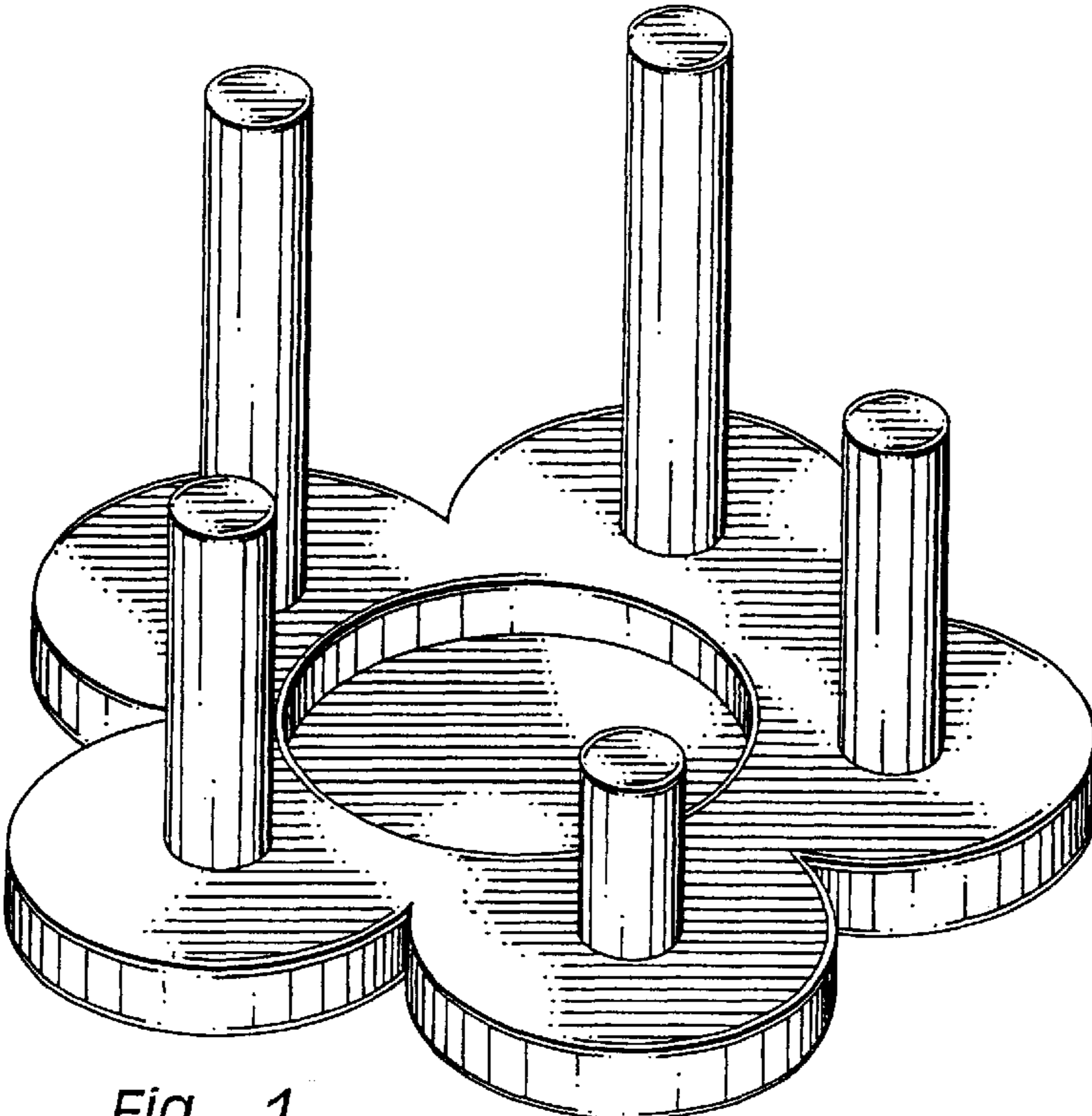


Fig. 1

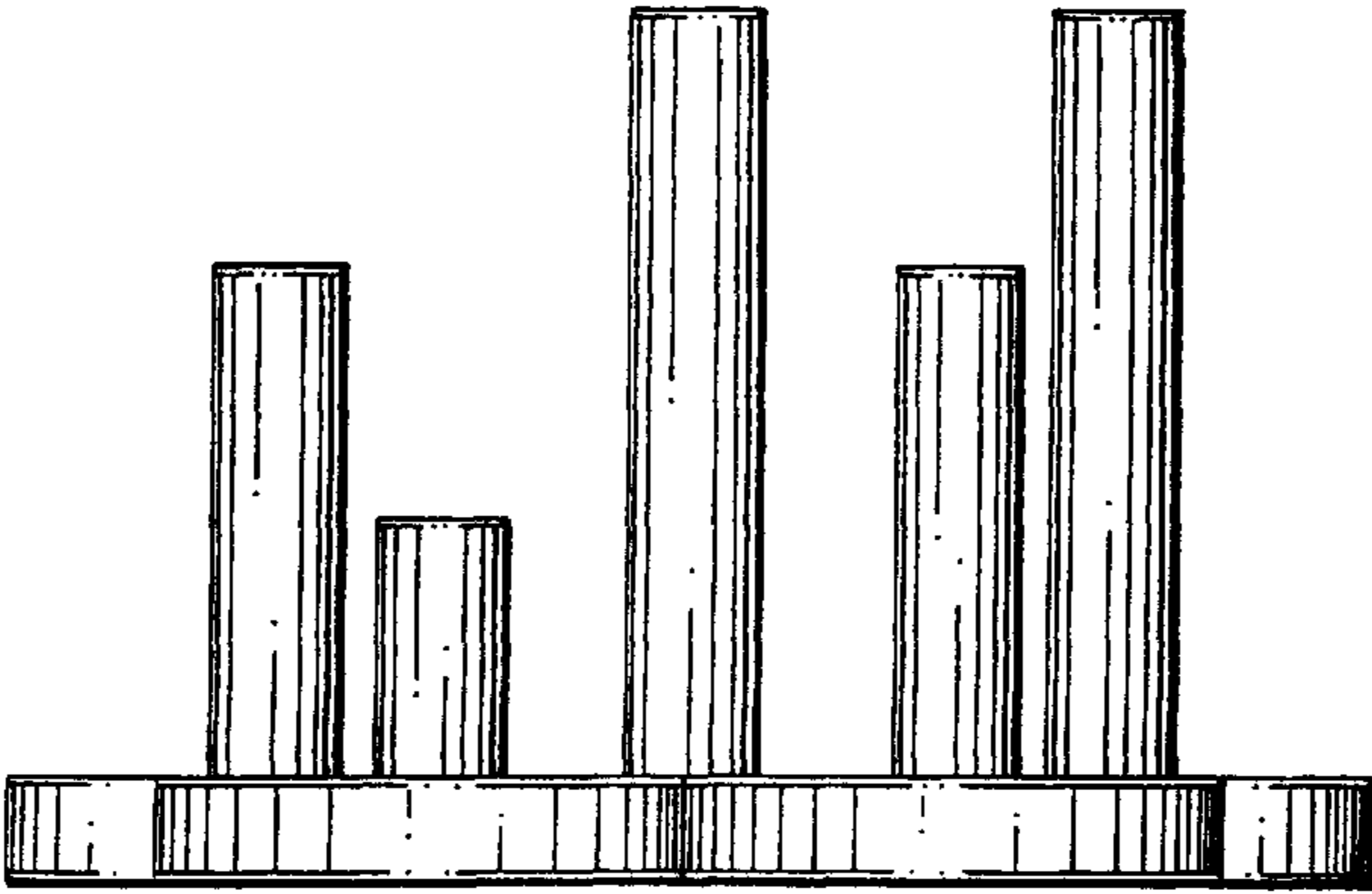


Fig. 2

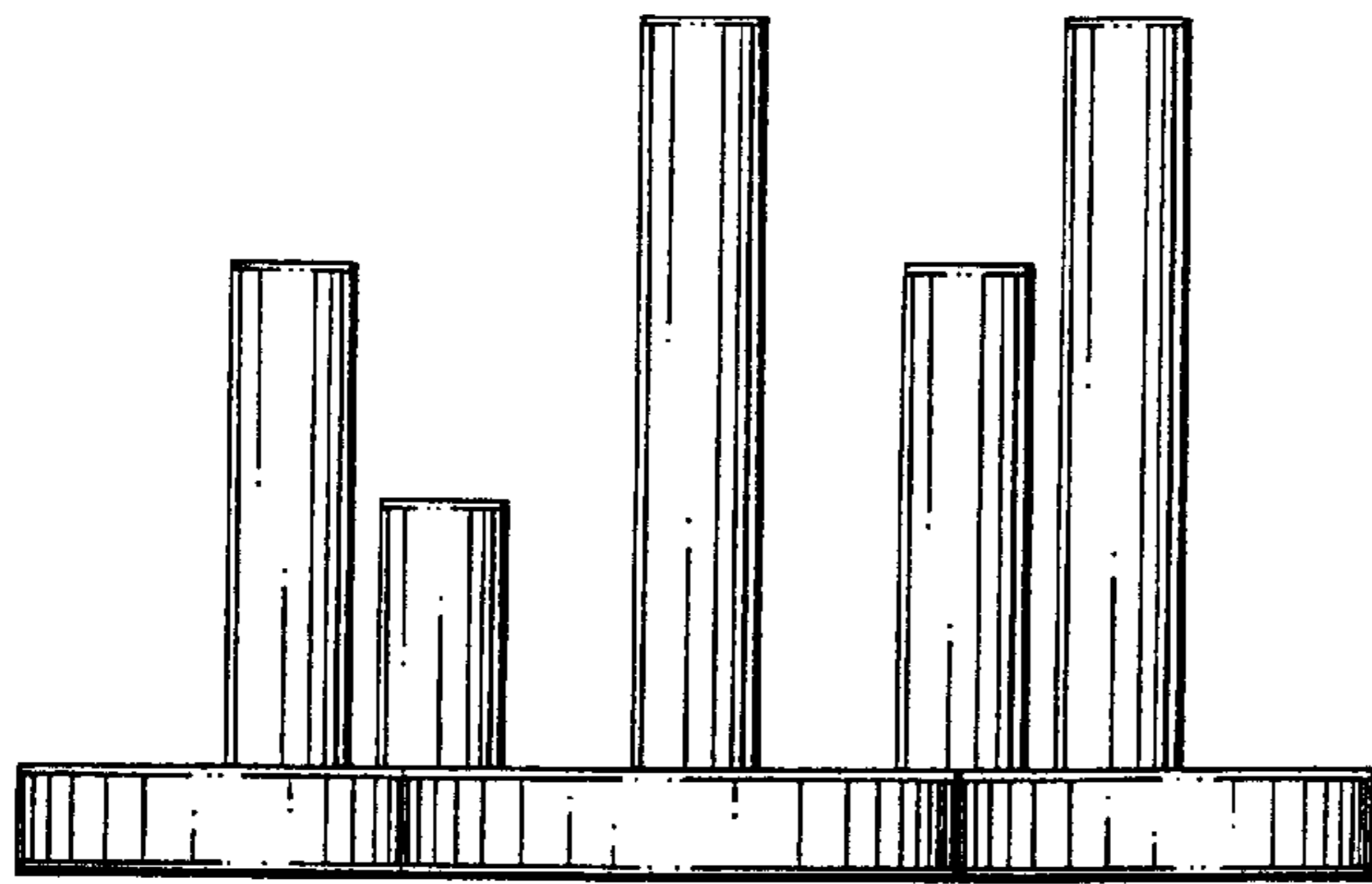


Fig. 3

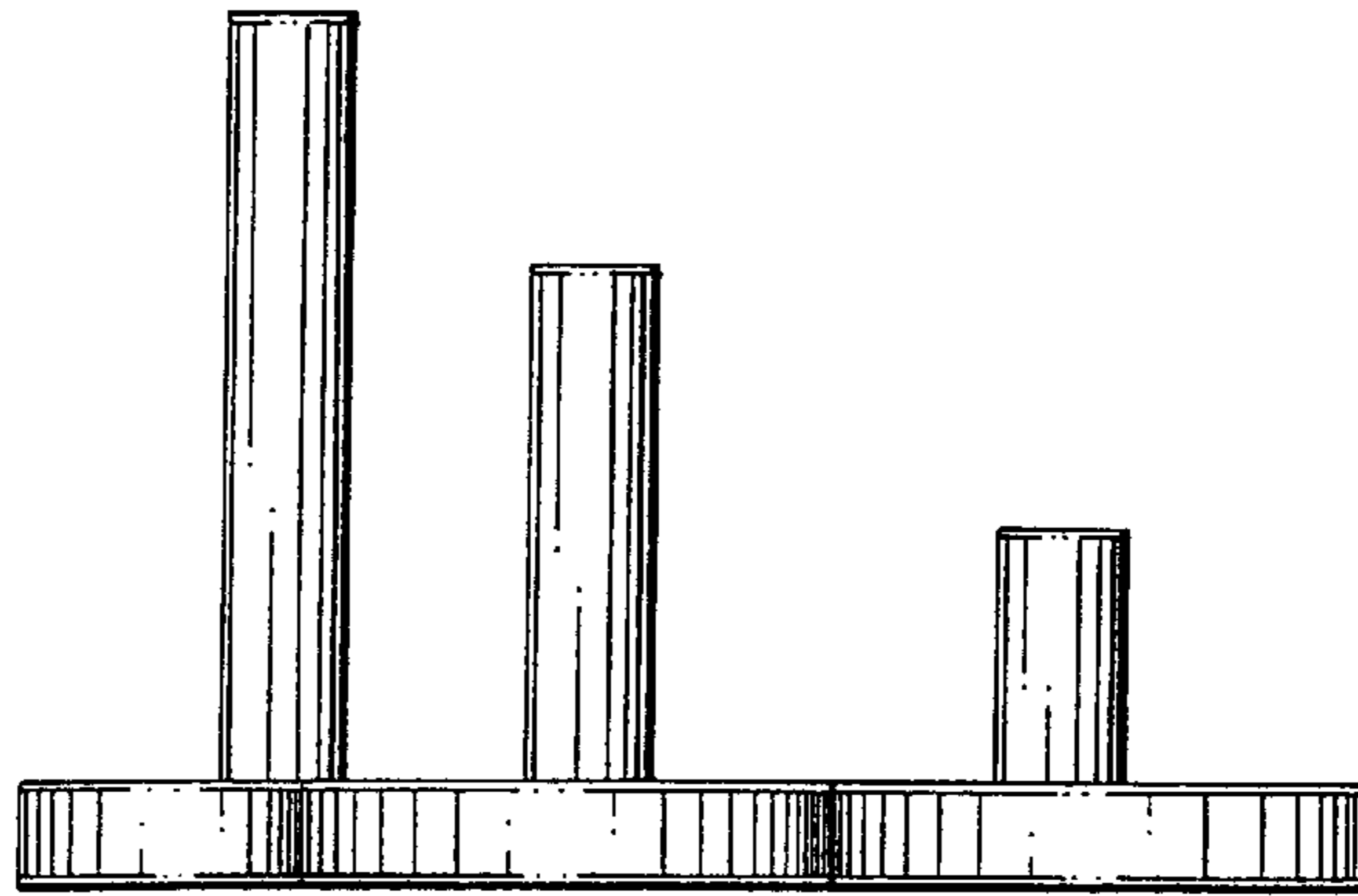


Fig. 4

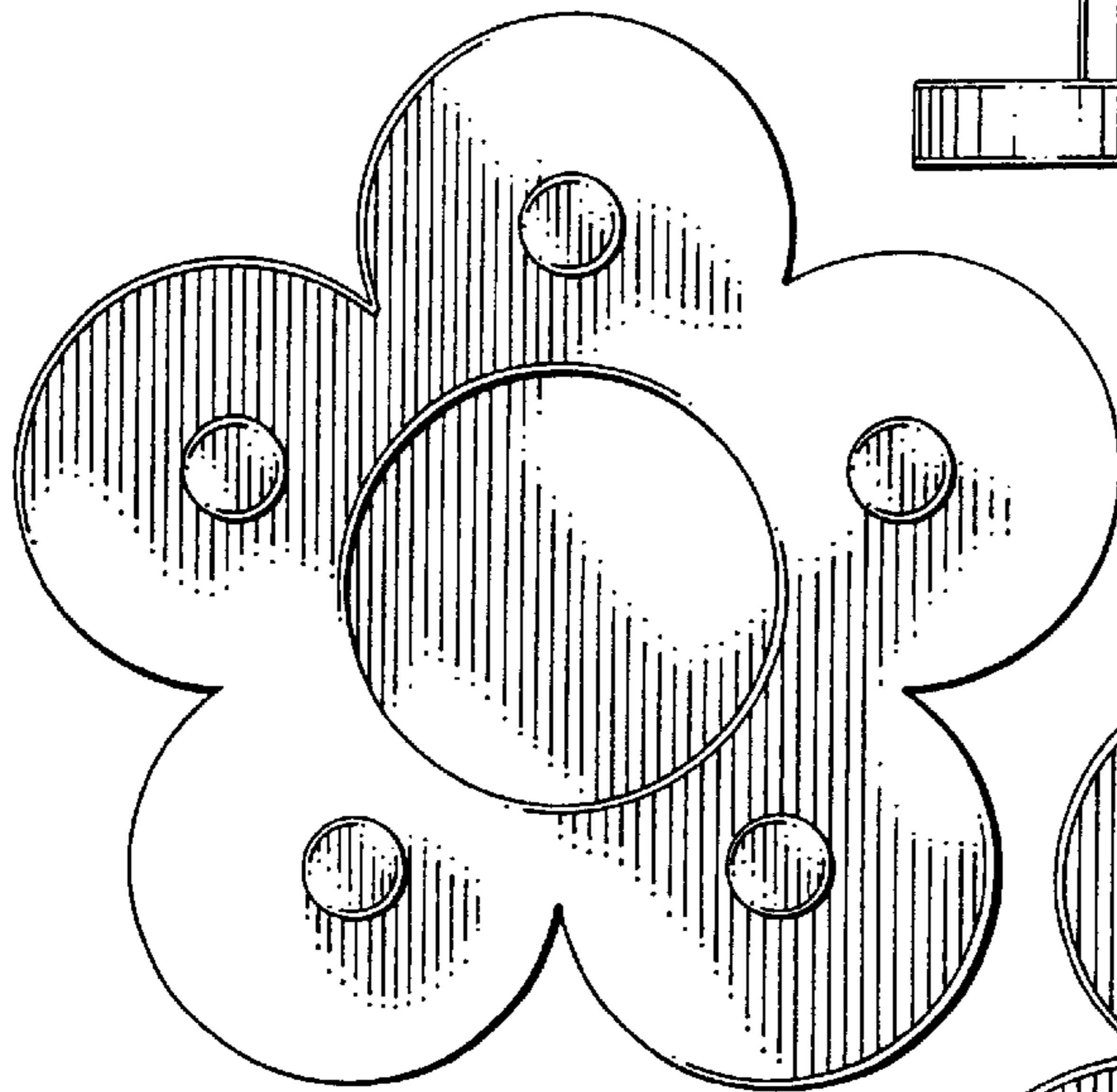


Fig. 5

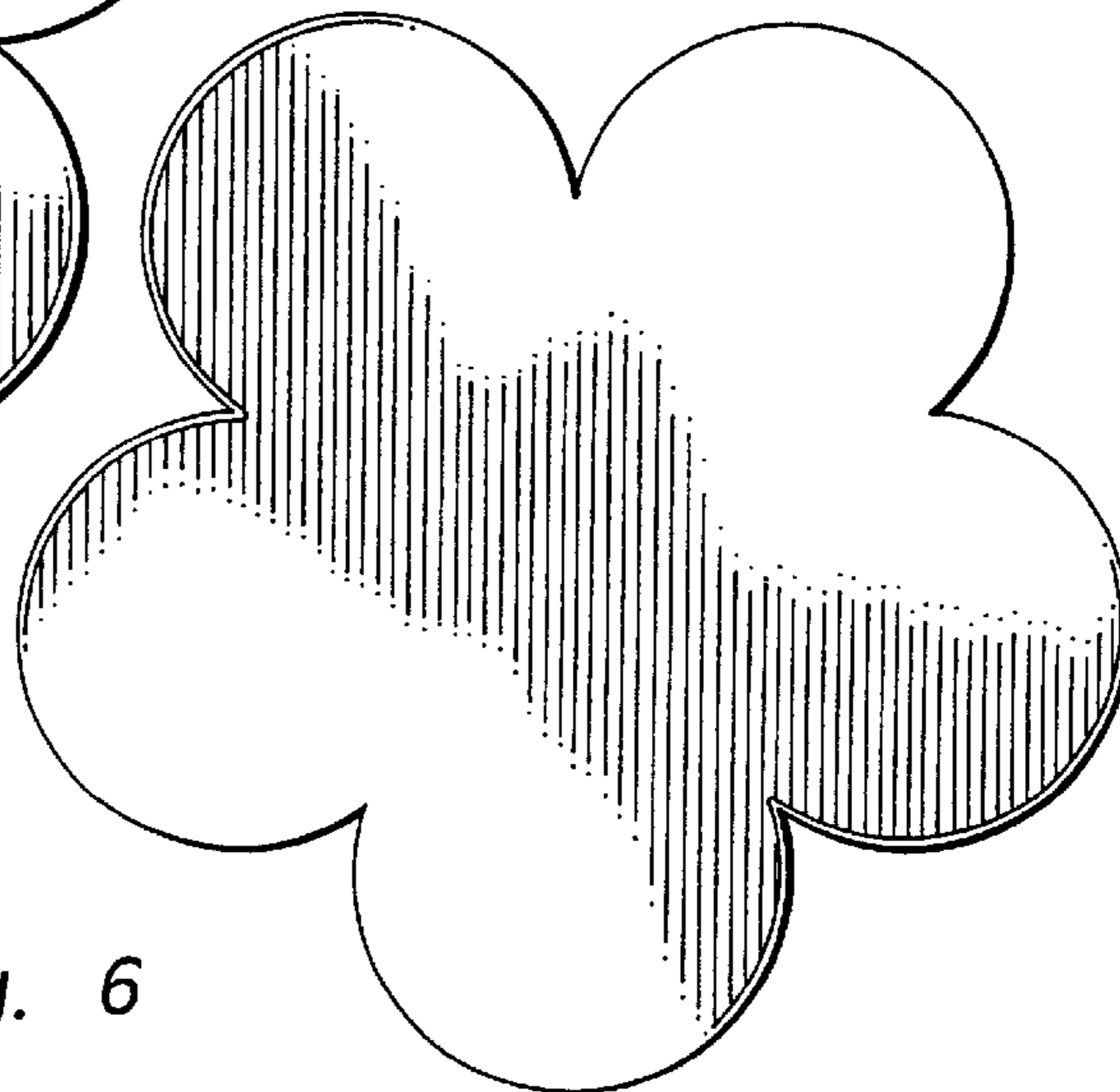


Fig. 6