

US00D544148S

(12) **United States Design Patent**
Bivona et al.

(10) **Patent No.:** **US D544,148 S**
(45) **Date of Patent:** **** Jun. 5, 2007**

(54) **TWEEZER TIPS**

(75) Inventors: **Antonette Bivona**, Bayside, NY (US);
John David Butcher, Scotch Plains, NJ
(US)

(73) Assignee: **Revlon Consumer Products Corporation**, New York, NY (US)

(**) Term: **14 Years**

(21) Appl. No.: **29/248,575**

(22) Filed: **Aug. 22, 2006**

(51) **LOC (8) Cl.** **28-03**

(52) **U.S. Cl.** **D28/55; D24/143**

(58) **Field of Classification Search** D28/55;
D24/143; 606/133, 210, 211; 433/159, 162;
294/99.1, 99.2

See application file for complete search history.

(56) **References Cited**

U.S. PATENT DOCUMENTS

468,746 A	2/1892	How	
740,549 A	10/1903	Gilbert	
950,499 A	3/1910	Wells	
1,657,497 A *	1/1928	Cichon	294/99.2
D159,612 S	8/1950	Henkel	
3,306,139 A	2/1967	Brackett	
4,761,028 A	8/1988	Dulebohn	
D301,371 S	5/1989	Kaprelian	
D456,077 S *	4/2002	Etter et al.	D24/143
D456,097 S *	4/2002	LaMagna et al.	D28/55
D485,359 S	1/2004	McMichael	
D506,573 S *	6/2005	de Grandcourt	D28/55

OTHER PUBLICATIONS

Related U.S. Appl. No. 29/458,568, filed Aug. 22, 2006, entitled "Tweezer".

Related U.S. Appl. No. 29/458,571, filed Aug. 22, 2006, entitled "Tweezer".

* cited by examiner

Primary Examiner—Jennifer Rivard

(74) *Attorney, Agent, or Firm*—Julie Blackburn

(57) **CLAIM**

The ornamental design for tweezer tips, as shown and described.

DESCRIPTION

FIG. 1: is a front perspective view showing the tweezer tips in one preferred embodiment of the invention with the dotted lines not forming part of the design.

FIG. 2: is a right side view of the tweezer tips in FIG. 1.

FIG. 3: is a left side view of the tweezer tips in FIG. 1.

FIG. 4: is a top plan view of the tweezer tips in FIG. 1.

FIG. 5: is a bottom plan view of the tweezer tips in FIG. 1.

FIG. 6: is a front elevation view of the tweezer tips in FIG. 1.

FIG. 7: is a rear elevation view of the tweezer tips in FIG. 1.

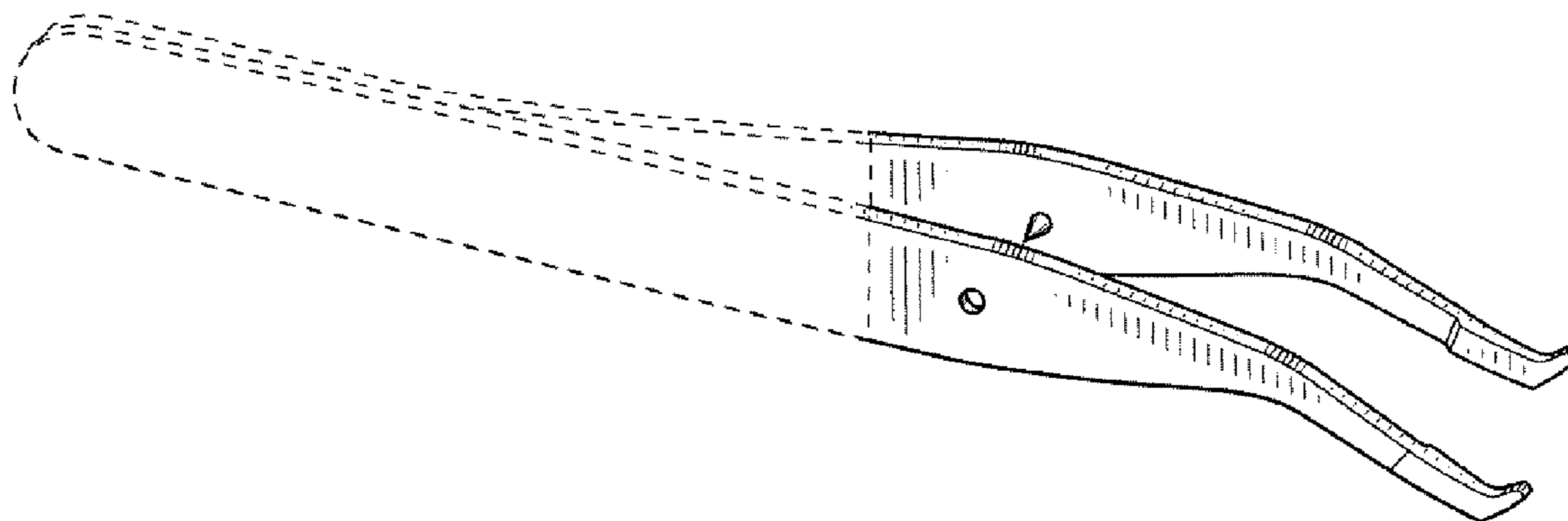
FIG. 8: depicts another embodiment of the tweezer tips according to the invention with the dotted lines not forming part of the design.

FIG. 9: depicts another embodiment of the tweezer tips according to the invention with the dotted lines not forming part of the design; and,

FIG. 10: depicts another embodiment of the tweezer tips according to the invention with the dotted lines not forming part of the design.

The dotted lines immediately adjacent the shaded areas represent the bounds of the claim and all other dotted lines are for illustrative purposes only. None of the dotted lines form a part of the claimed design.

1 Claim, 3 Drawing Sheets



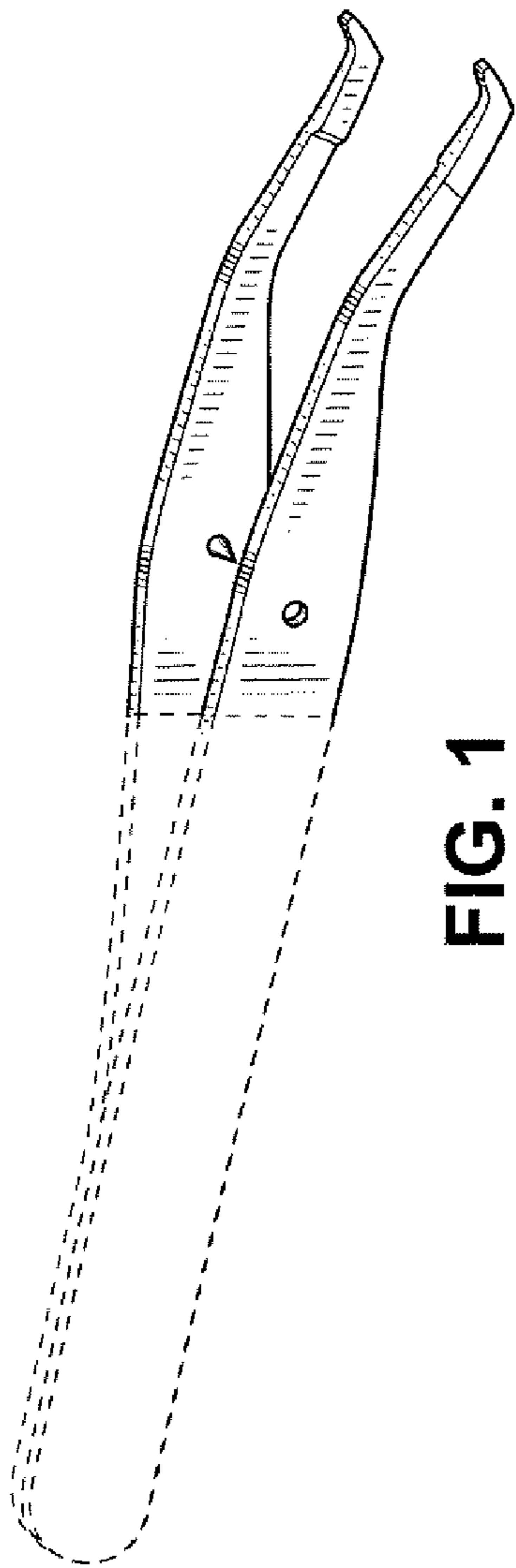


FIG. 1

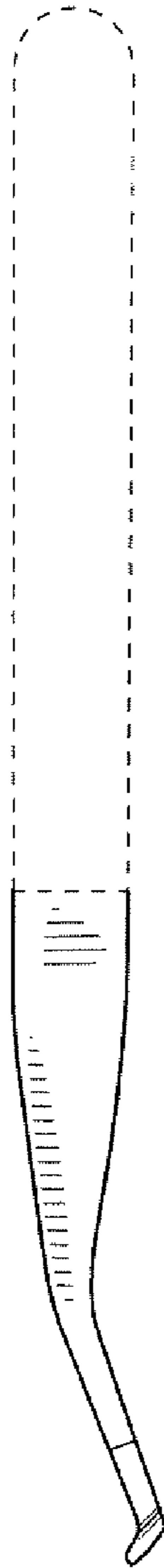


FIG. 2

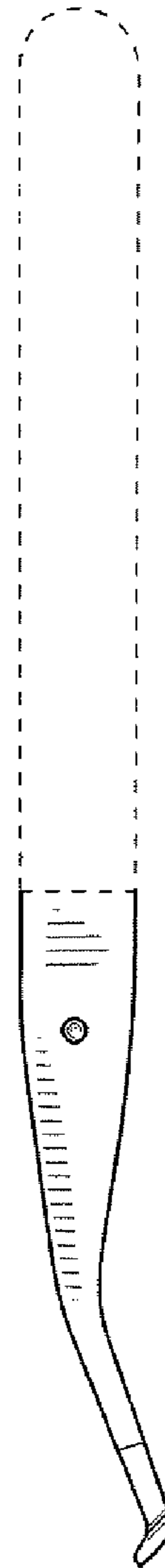


FIG. 3

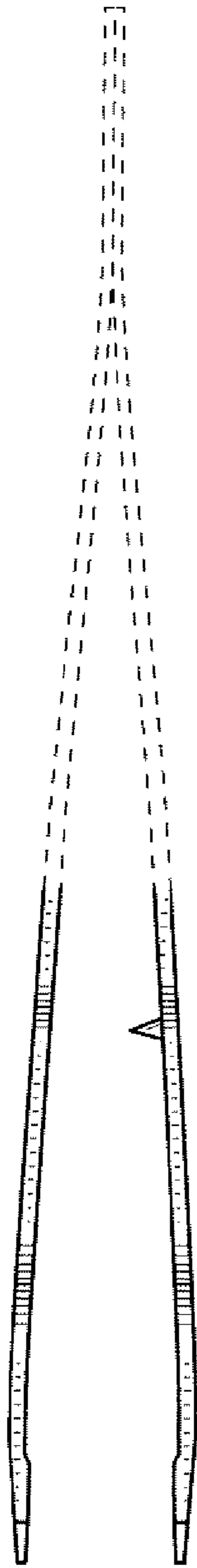


FIG. 4

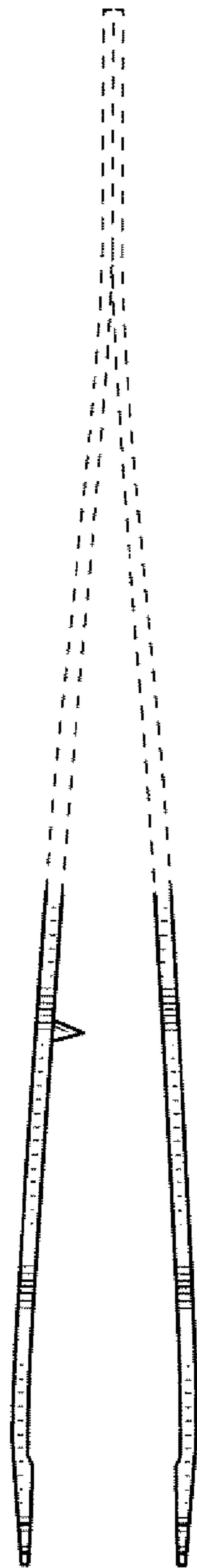


FIG. 5



FIG. 6

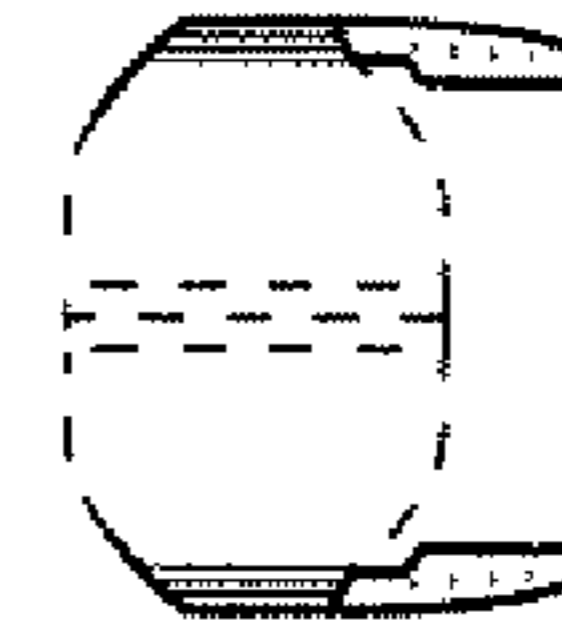


FIG. 7

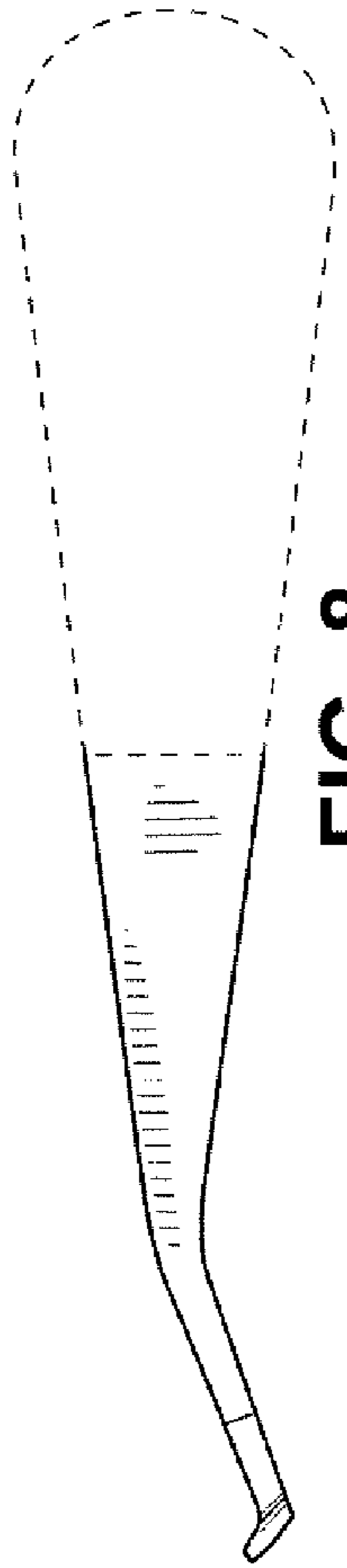


FIG. 8

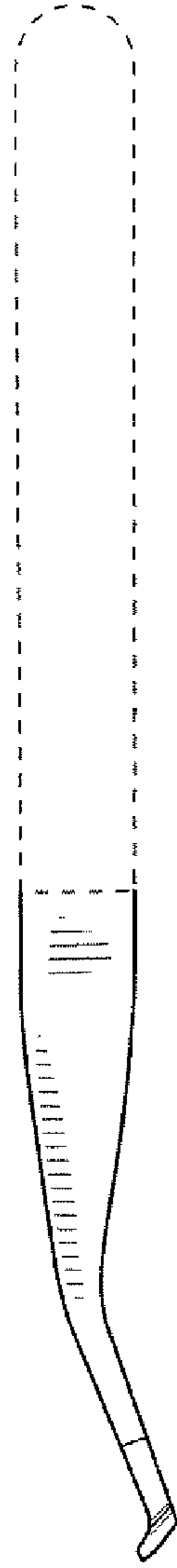


FIG. 9

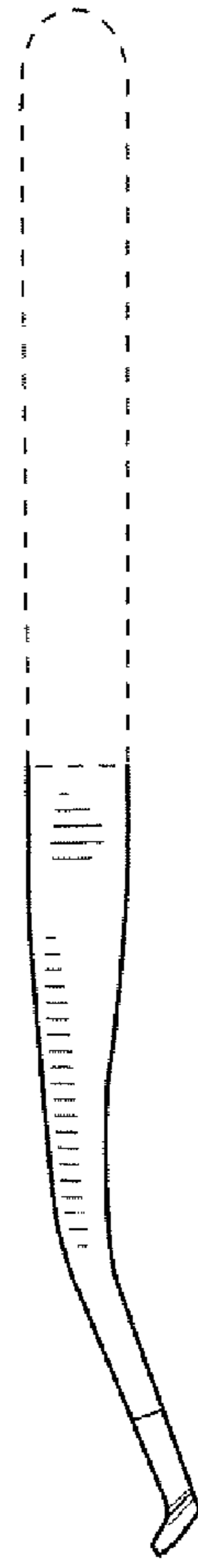


FIG. 10